

US00D905901S

(12) **United States Design Patent** (10) **Patent No.:** **US D905,901 S**
Kim et al. (45) **Date of Patent:** **** Dec. 22, 2020**

(54) **ELECTRONIC CIGARETTE**
(71) Applicant: **KT&G Corporation**, Daejeon (KR)
(72) Inventors: **Min Chui Kim**, Yongin-si (KR); **Su Mi Shin**, Goyang-si (KR)
(73) Assignee: **KT&G Corporation**, Daejeon (KR)
(**) Term: **15 Years**
(21) Appl. No.: **29/688,802**
(22) Filed: **Apr. 24, 2019**

D599,670 S * 9/2009 Qin D9/529
D616,753 S * 6/2010 Beam D9/529
D685,382 S * 7/2013 Anderson D14/480.5
D715,760 S * 10/2014 Kim D14/193
D721,972 S * 2/2015 Brewer D9/529
D737,506 S * 8/2015 Liu D27/189
D760,414 S * 6/2016 Brown D26/37
(Continued)

(30) **Foreign Application Priority Data**
Mar. 19, 2019 (KR) 30-2019-0012338
(51) **LOC (12) Cl.** **27-02**
(52) **U.S. Cl.**
USPC **D27/162; D27/101**
(58) **Field of Classification Search**
USPC D27/162, 100, 101, 139, 141, 148,
D27/161-171, 183, 185-193, 194;
D24/110, 110.5, 129, 113, 112; D13/108,
D13/144, 103, 119, 146, 168; D23/360,
D23/364-366; D19/163, 161; D14/434,
D14/480.5, 480.1, 480.3, 483, 484.1;
D4/121
CPC A24F 40/00; A24F 40/40; A24F 40/42;
A24F 40/05; A24F 40/46; A24F 47/002;
A24F 47/008; A24D 1/14; A24D 1/042;
A24D 1/02; G06F 3/03545
See application file for complete search history.

FOREIGN PATENT DOCUMENTS

CN 00112139 * 11/2018
CN 304929551 * 12/2018
(Continued)

OTHER PUBLICATIONS

Lil hybrid, published 2018 [online], [retrieved Aug. 12, 2020], Available from Internet, URL: <https://ifworlddesignguide.com/entry/247859-lil-hybrid>.*

(Continued)

Primary Examiner — Dana K Weiland
Assistant Examiner — Mary Claire Ramirez
(74) *Attorney, Agent, or Firm* — Novick, Kim & Lee, PLLC; Sang Ho Lee; Hyun Woo Shin

(57) **CLAIM**

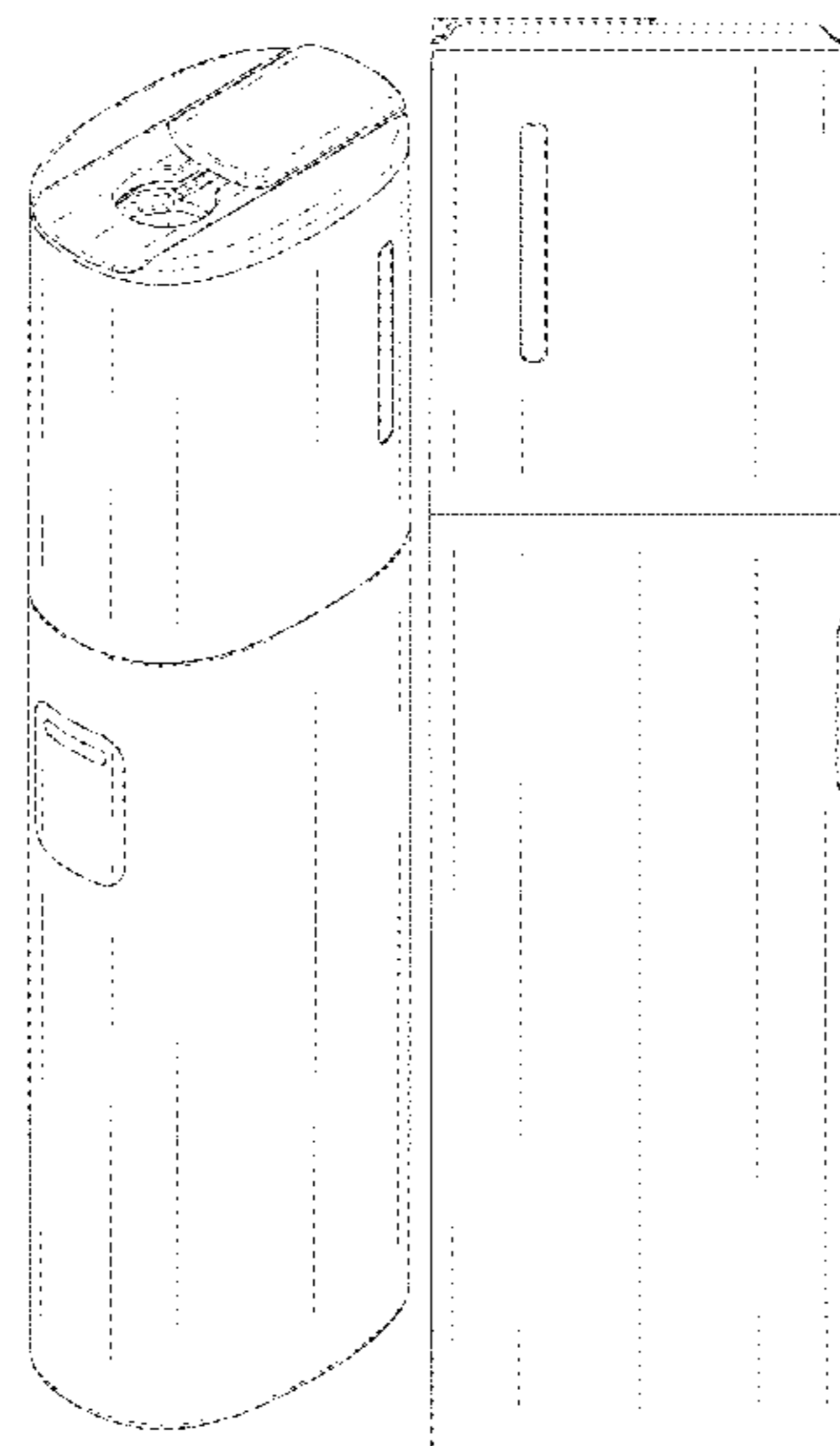
We claim the ornamental design for an electronic cigarette, as shown and described.

DESCRIPTION

FIG. 1 is a perspective view of an electronic cigarette, showing our new design;
FIG. 2 is a front elevational view thereof;
FIG. 3 is a rear elevational view thereof;
FIG. 4 is a left side elevational view thereof;
FIG. 5 is a right side elevational view thereof;
FIG. 6 is a top plan view thereof; and,
FIG. 7 is a bottom plan view thereof.

1 Claim, 6 Drawing Sheets

(56) **References Cited**
U.S. PATENT DOCUMENTS
D239,198 S * 3/1976 Nau D26/46
D277,724 S * 2/1985 Daenen D7/392
D301,837 S * 6/1989 Peterson D9/529
D472,341 S * 3/2003 Cohen Harel D27/141
D558,060 S * 12/2007 Šir D9/687



(56)

References Cited

U.S. PATENT DOCUMENTS

D784,162 S * 4/2017 Villarreal D9/724
 D792,643 S * 7/2017 Wong D27/101
 D806,089 S * 12/2017 Shim D14/480.5
 D807,575 S * 1/2018 Luo D27/141
 D816,267 S * 4/2018 Fornarelli D27/101
 D827,117 S * 8/2018 Rigbi D23/360
 D828,912 S * 9/2018 Powell D23/366
 D833,384 S * 11/2018 Takayanagi D13/103
 D842,237 S * 3/2019 Qiu D13/103
 D843,052 S * 3/2019 Powell D27/163
 D848,603 S * 5/2019 Fujino D24/110
 D883,563 S * 5/2020 Pan D27/139
 D889,740 S * 7/2020 Beer D27/194
 D891,692 S * 7/2020 Barbaric D27/162
 2018/0279682 A1* 10/2018 Guo H05B 3/04
 2019/0150508 A1* 5/2019 Thorsen A24F 47/008
 2020/0093185 A1* 3/2020 Lim A24F 40/53
 2020/0187555 A1* 6/2020 Lee A24F 40/20

2020/0214351 A1* 7/2020 Lee A24F 47/00
 2020/0214355 A1* 7/2020 Lee A24F 40/46
 2020/0221782 A1* 7/2020 Lim A24F 40/51
 2020/0245681 A1* 8/2020 An A24F 40/20

FOREIGN PATENT DOCUMENTS

RU 00112135 * 11/2018
 RU 00117504 * 11/2019
 RU 00117505 * 11/2019
 VN 3-0028055-000 7/2018
 VN 3-0029747-000 3/2019

OTHER PUBLICATIONS

The Korea Herald “KT&G unveils liquid cartridge-type HNB tobacco Lil Hybrid” retrieved from <http://www.koreaherald.com/view.php?ud=20181126000509>, Nov. 27, 2018.

* cited by examiner

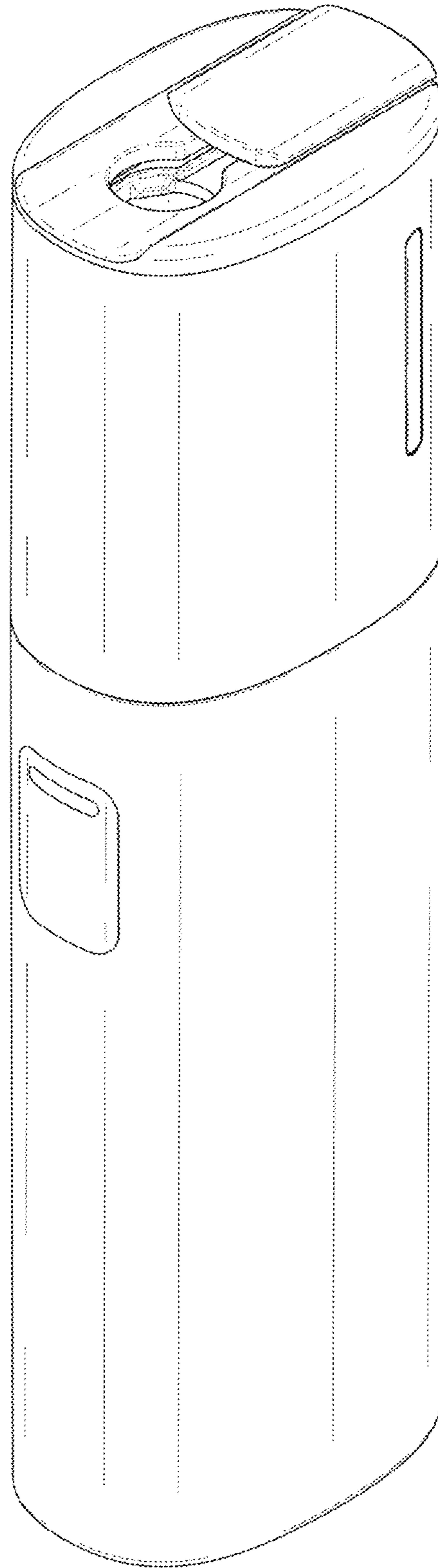


FIG. 1

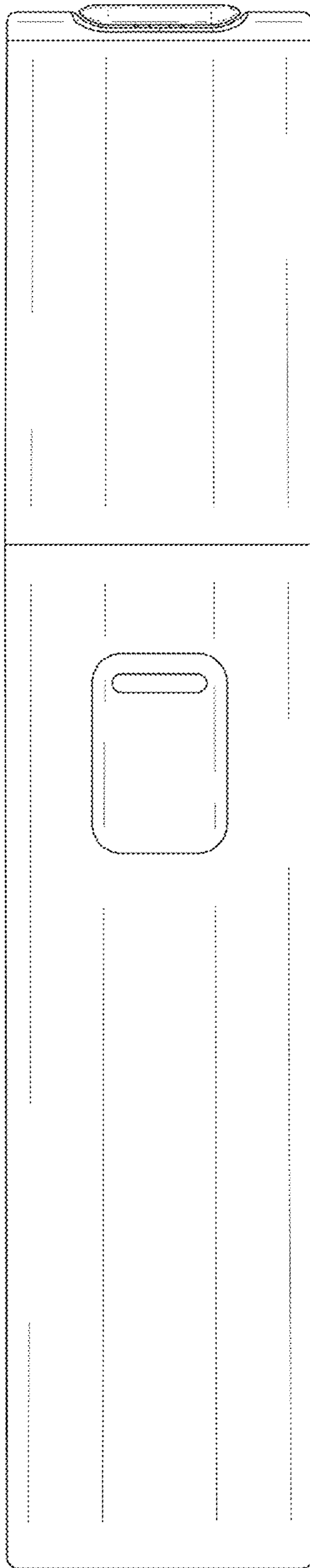


FIG. 2

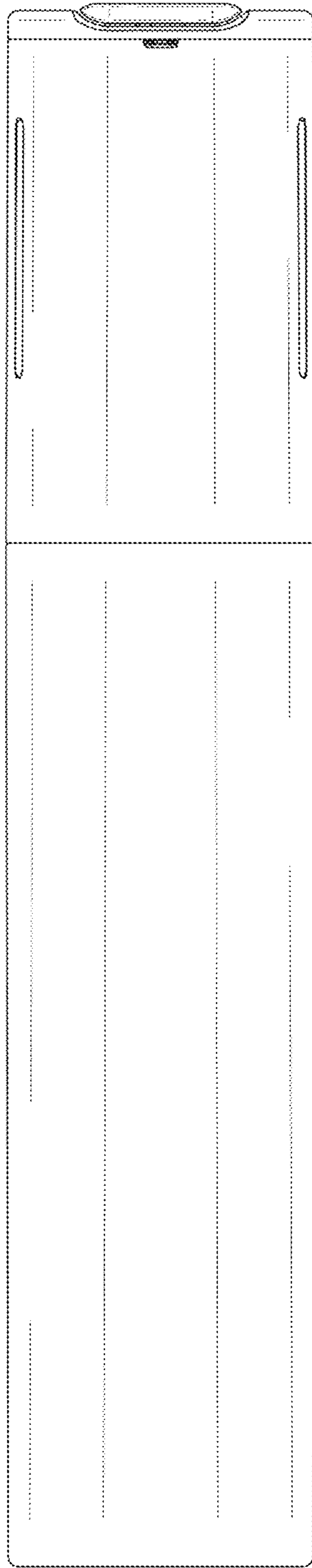


FIG. 3

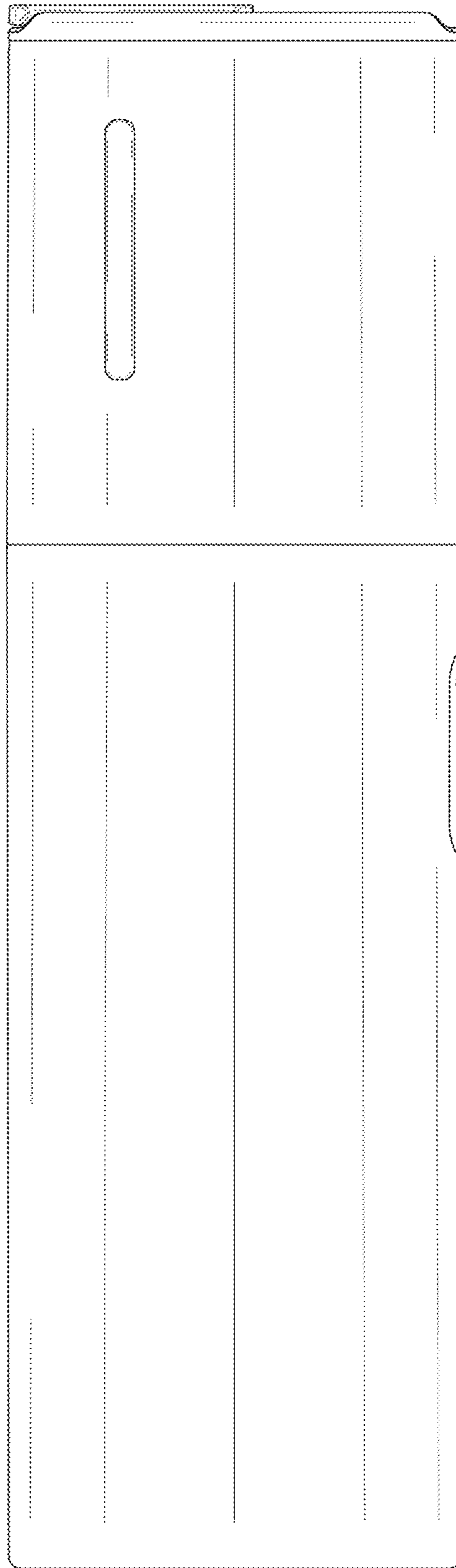


FIG. 4

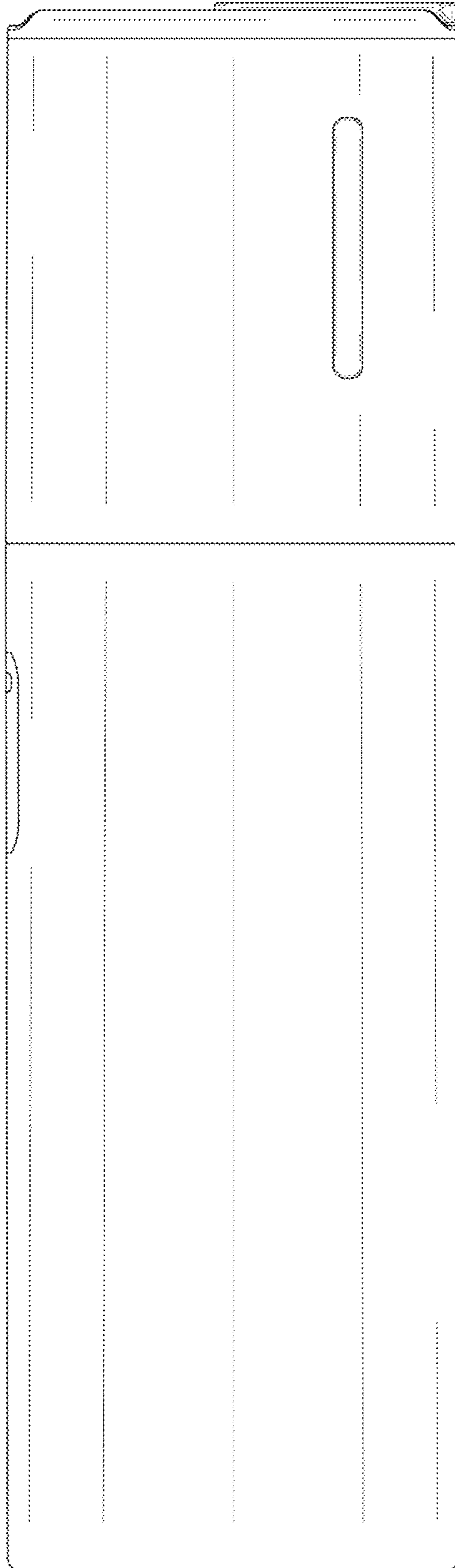


FIG. 5

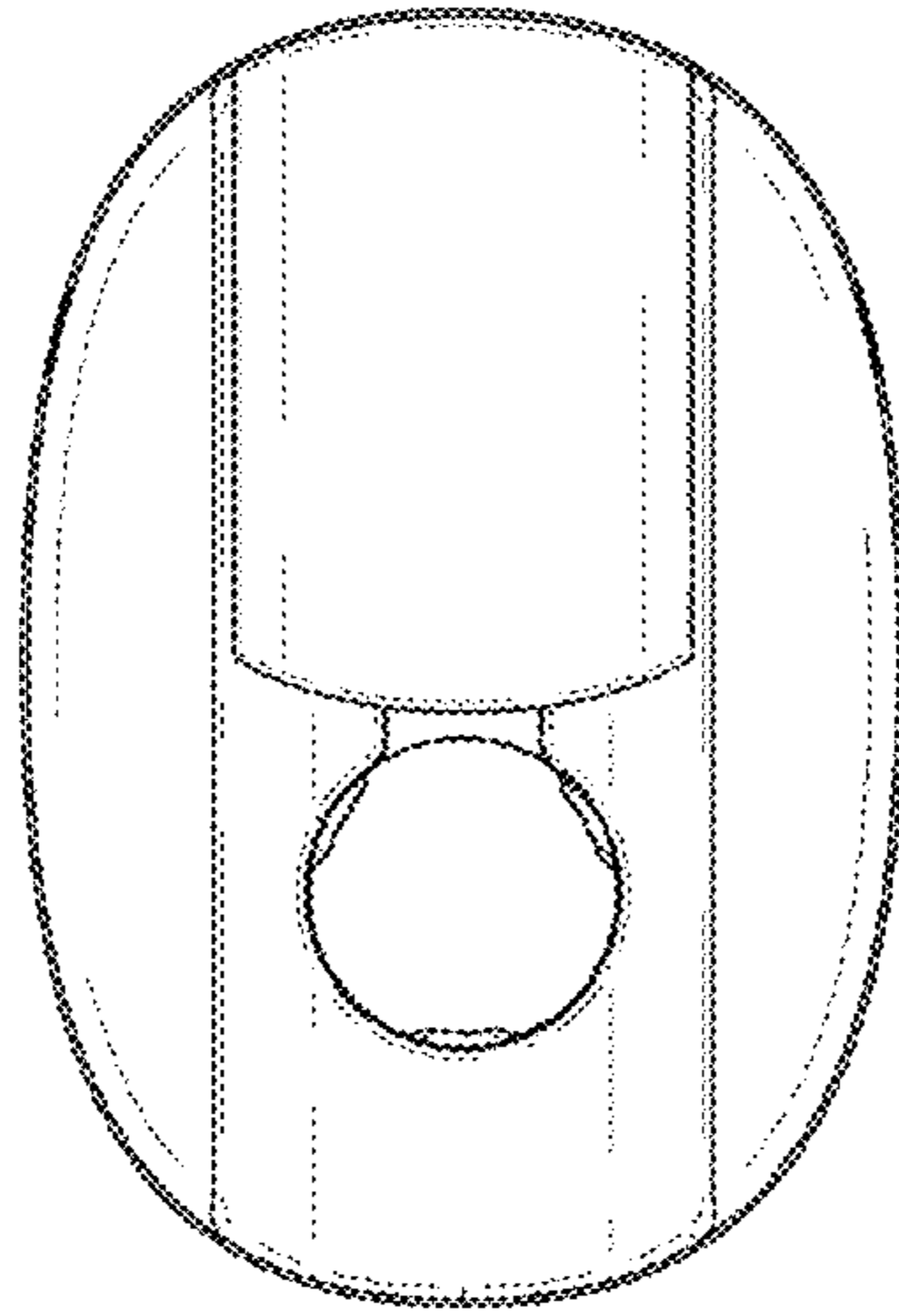


FIG. 6

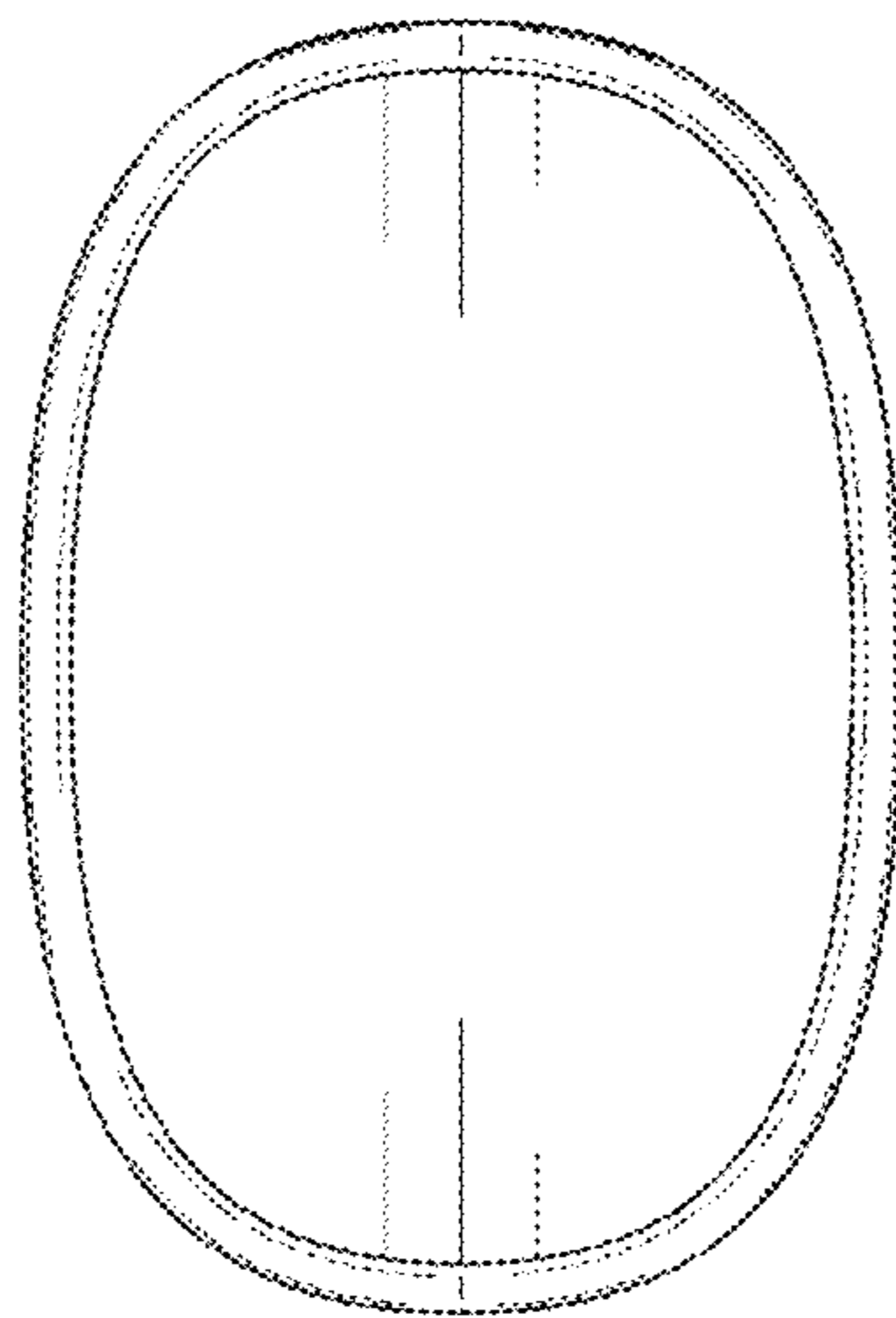


FIG. 7