



US00D905899S

(12) **United States Design Patent**
Smrstick

(10) **Patent No.:** **US D905,899 S**

(45) **Date of Patent:** **** Dec. 22, 2020**

(54) **FLOOR OR TABLE LAMP**

(71) Applicant: **Blu Dot Design & Manufacturing, Inc.**, Minneapolis, MN (US)

(72) Inventor: **Scott Smrstick**, Minneapolis, MN (US)

(73) Assignee: **Blu Dot Design & Manufacturing, Inc.**, Minneapolis, MN (US)

(**) Term: **15 Years**

(21) Appl. No.: **29/682,441**

(22) Filed: **Mar. 5, 2019**

(51) **LOC (12) Cl.** **26-03**

(52) **U.S. Cl.**
USPC **D26/110**

(58) **Field of Classification Search**
USPC D26/24, 93, 95, 104, 106, 110
CPC F21S 6/00; F21S 6/002; F21S 6/004; F21S 6/008; F21S 8/08; F21V 21/00; F21V 21/02; F21W 2131/30
See application file for complete search history.

(56) **References Cited**

U.S. PATENT DOCUMENTS

D326,733 S *	6/1992	Lee	D26/110
D368,547 S *	4/1996	Chen	D26/106
8,931,192 B2 *	1/2015	Acworth	F21V 1/00 40/554
D767,813 S *	9/2016	Lucchi	D26/110
D768,909 S *	10/2016	Maier	D26/110
D790,108 S *	6/2017	Starck	D26/110

(Continued)

OTHER PUBLICATIONS

Blu Dot Catalog No. 16, Designed in Minneapolis, Minnesota, published 2015, front cover and pp. 4-9, 13-15, 18, 19, 24-27, 30-35, 40-45, 47, 49, 50, 58, 59, 62, 64, 70-72, and 77.

(Continued)

Primary Examiner — Brian N. Vinson

(74) *Attorney, Agent, or Firm* — Fredrikson & Byron, P.A.

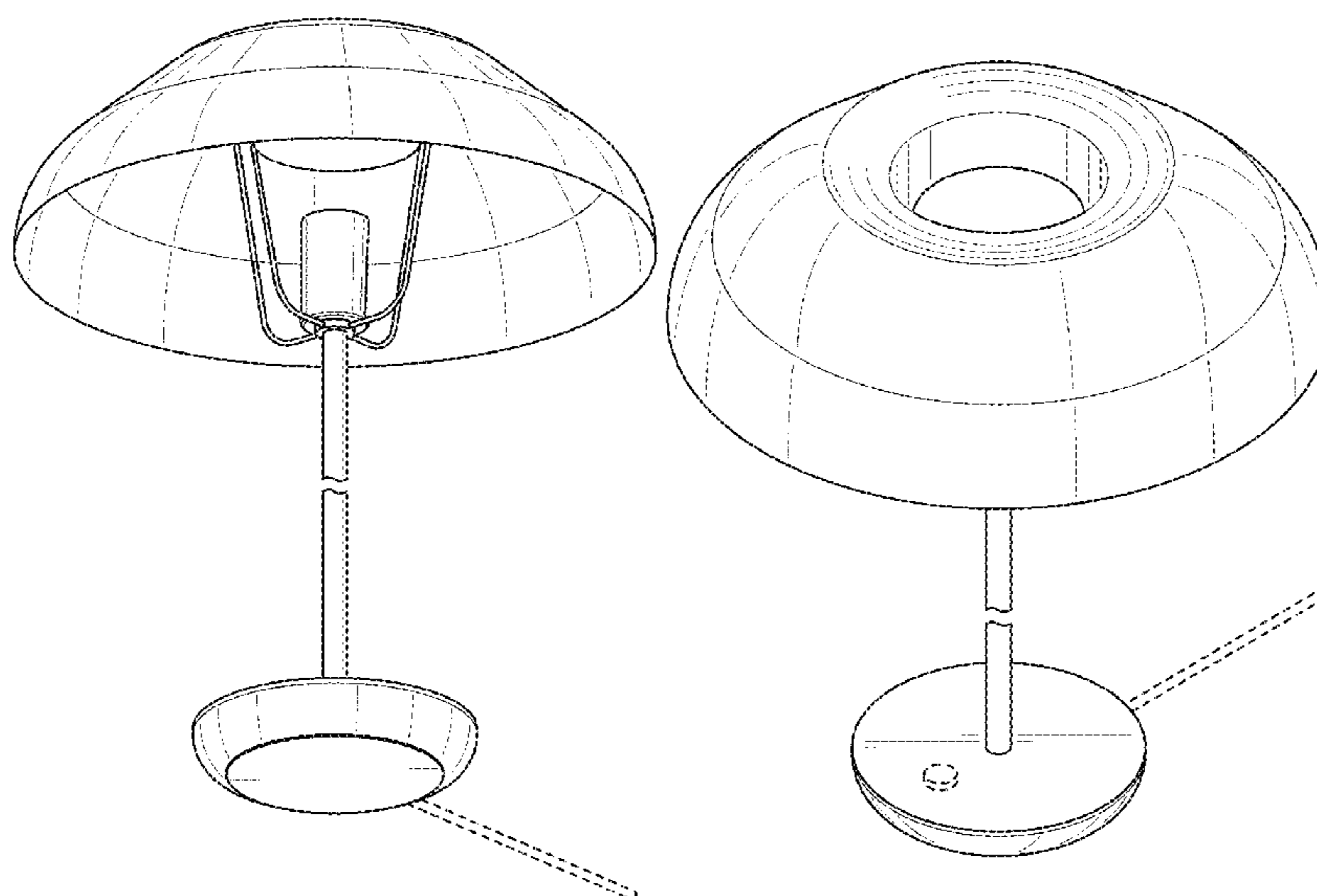
(57) **CLAIM**

Applicant claims the ornamental design for a floor or table lamp, as shown and described.

DESCRIPTION

FIG. 1 is a front lower perspective view of a floor or table lamp of Applicant's design;
 FIG. 2 is a front upper perspective view thereof;
 FIG. 3 is a front elevational view thereof;
 FIG. 4 is a rear elevational view thereof;
 FIG. 5 is a first side elevational view thereof;
 FIG. 6 is a second side elevational view thereof, the second side elevational view being opposite the first side elevational view;
 FIG. 7 is a top plan view thereof;
 FIG. 8 is a bottom plan view thereof.
 FIG. 9 is a front upper perspective view of an alternate embodiment of the floor or table lamp of Applicant's design;
 FIG. 10 is a front upper perspective view of an alternate embodiment of the floor or table lamp of Applicant's design;
 FIG. 11 is a front elevational view thereof;
 FIG. 12 is a rear elevational view thereof;
 FIG. 13 is a first side elevational view thereof;
 FIG. 14 is a second side elevational view thereof, the second side elevational view being opposite the first side elevational view;
 FIG. 15 is a top plan view thereof; and,
 FIG. 16 is a bottom plan view thereof.
 Where included, broken lines showing environment or structure are for illustrative purposes only and form no part of the claimed design.
 The appearance of any portion of the floor or table lamp between the break lines forms no part of the claimed design.

1 Claim, 16 Drawing Sheets



(56)

References Cited

U.S. PATENT DOCUMENTS

D790,752 S * 6/2017 Chow D26/110
D825,094 S * 8/2018 Hendifar D26/106

OTHER PUBLICATIONS

Blu Dot Catalog No. 17, Designed in Minneapolis, Minnesota, published 2015, pp. 2, 6-9, 11-13, 20, 21, 26, 27, 30, 35-37, 44-47, 49, 50, 56, 57, 59-61, 66, 67, 70, 75-77, 88, 90, 91, 96, 100, and back cover.

Blu Dot Catalog No. 18, Designed in Minneapolis, Minnesota, published 2016, pp. 18-21, 26, 27, 32-35, 40, 41, 44, 48-51, 54, 55, 60-63, 66-71, 73-75, 77, 88, 90, 96, 97, and back cover.

Blu Dot Catalog No. 19, Designed in Minneapolis, Minnesota, published 2016, pp. 5, 8, 9, 17, 30, 31, 54-57, 62, 66, 67, 70, 75, 78, 83, 88, 89, 93, and 103.

Blu Dot Catalog No. 21, Cat 17F-Book A, Designed in Minneapolis, Minnesota, Applicant believes reference was published and available more than one year prior to the filing date of the instant application, pp. 9, 15, 18, 19, 26, 27, 36, 37, 39, 41, 44, 45, 48, 62, 79, 82, 83, 86, and 87.

Blu Dot Catalog No. 21, Cat 17F-Book B, Designed in Minneapolis, Minnesota, Applicant believes reference was published and available more than one year prior to the filed of the instant application, pp. 3, 10, 11, 13, 16-21, 24, 25, 30, 31, 48-51, 53, 63, 68, 69, 75, 86, 87, 94, 95, and back cover.

Blu Dot Catalog No. 22, Cat 18S-Book B, Designed in Minneapolis, Minnesota, Applicant believes reference was published and available more than one year prior to the filed of the instant application, pp. 7, 16-19, 22, 23, 36, 38, 44, 45, 47, 50, and 51.

Blu Dot Catalog No. 22, Cat18Sm_RGB, Designed in Minneapolis, Minnesota, Applicant believes reference was published and available more than one year prior to the filed of the instant application, front cover and pp. 3, 12, 13, 15, 18, 19, 34, 40, 45, 50, and 66.

* cited by examiner

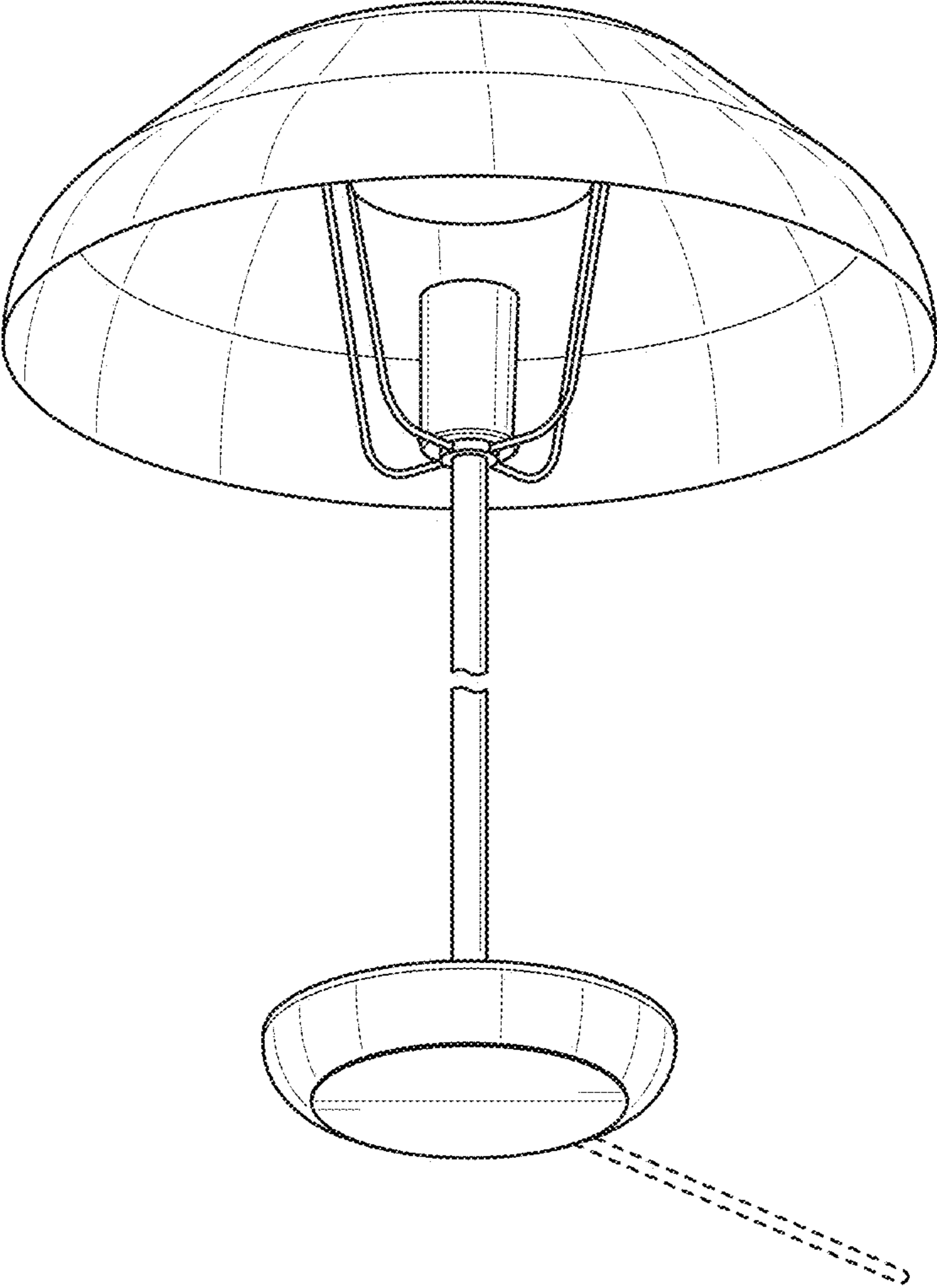


FIG. 1

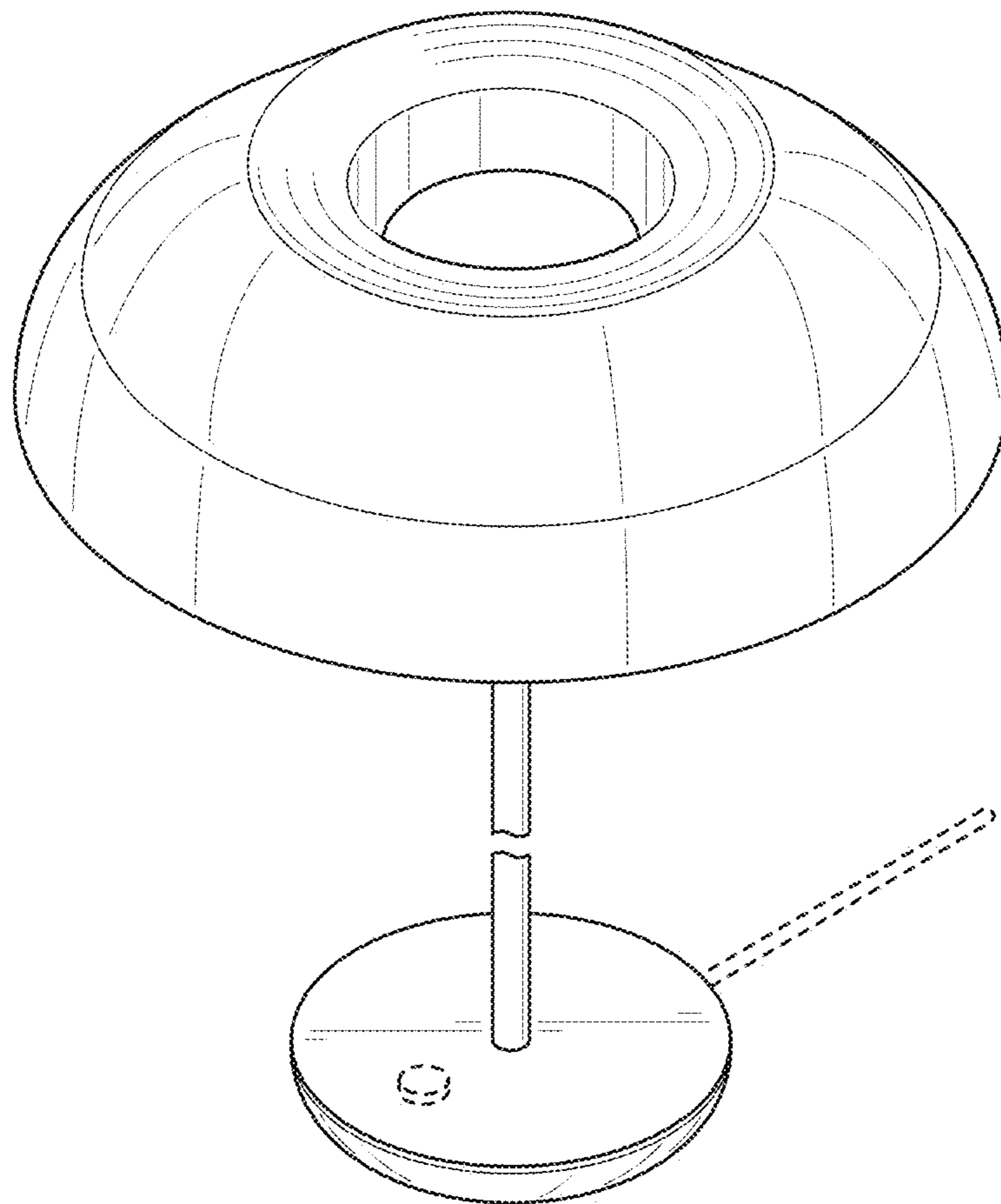


FIG. 2

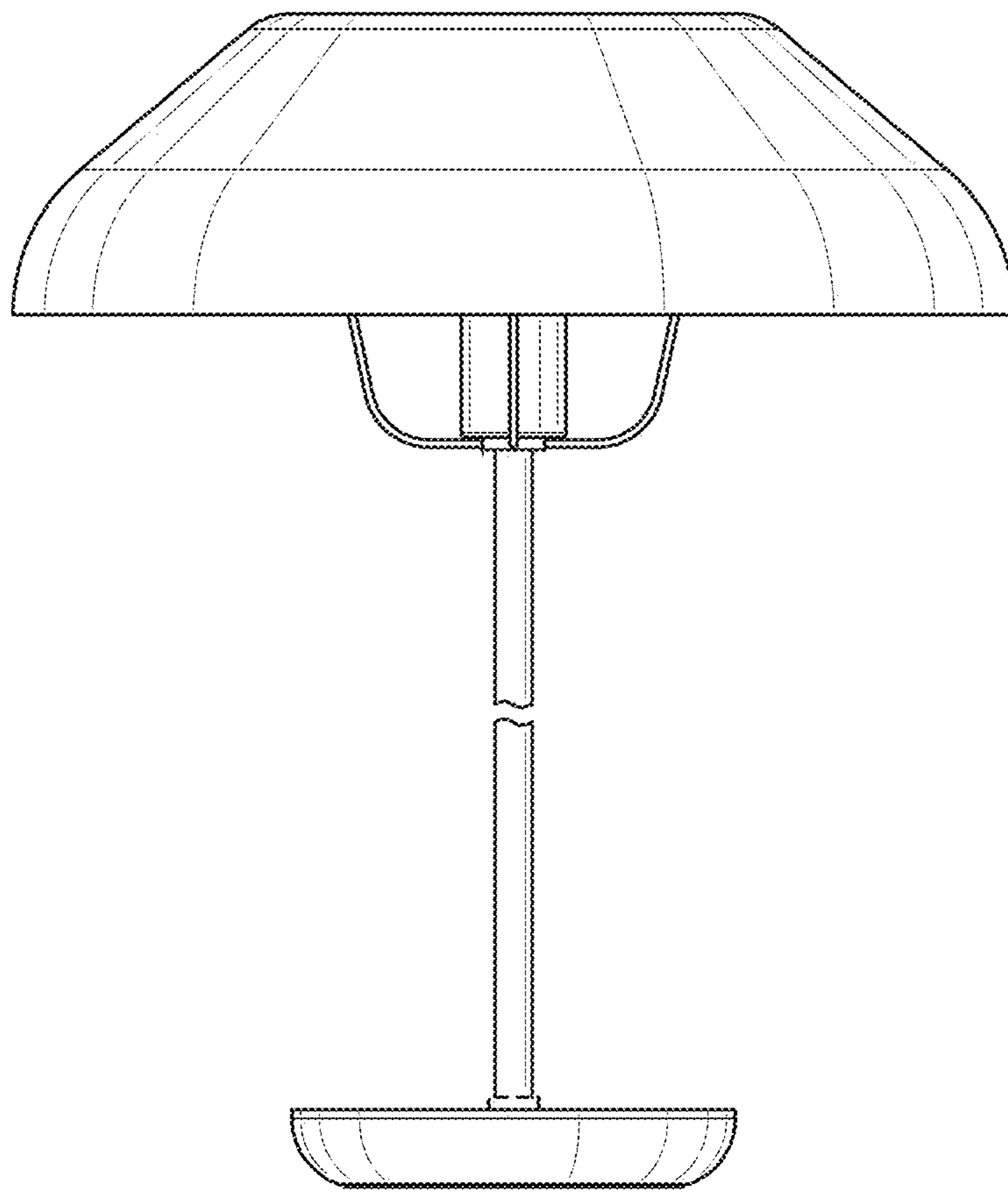


FIG. 3

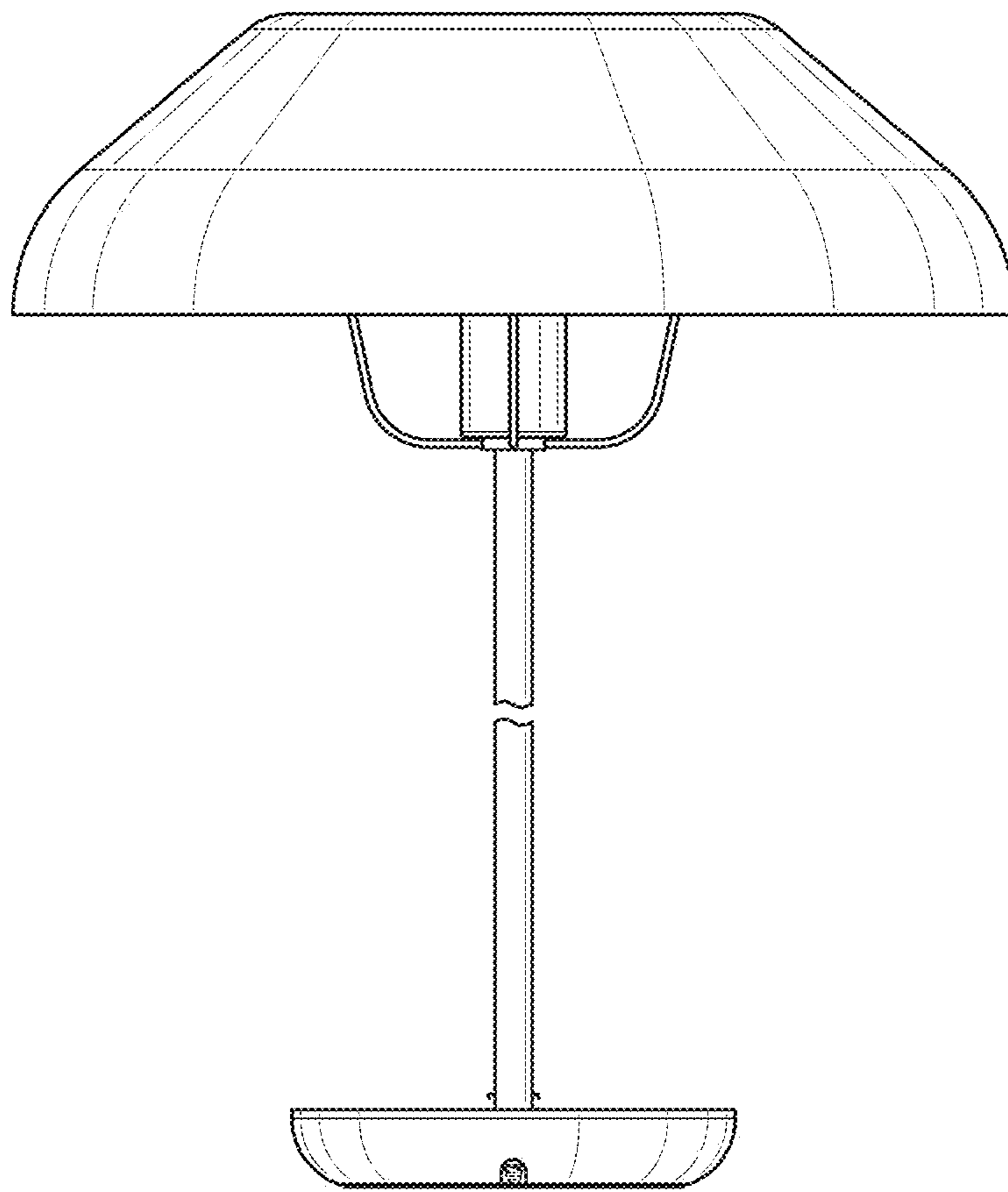


FIG. 4

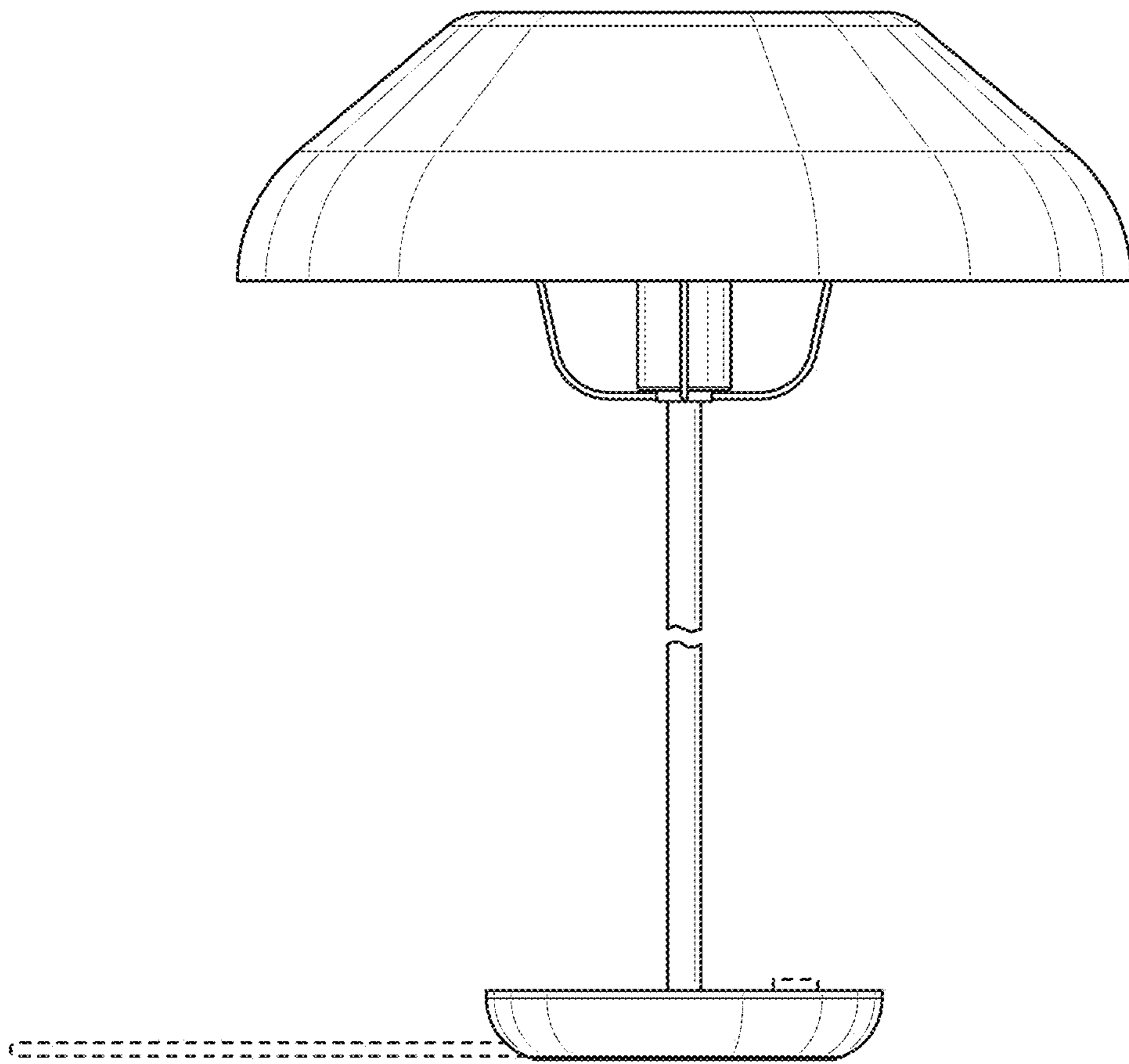


FIG. 5

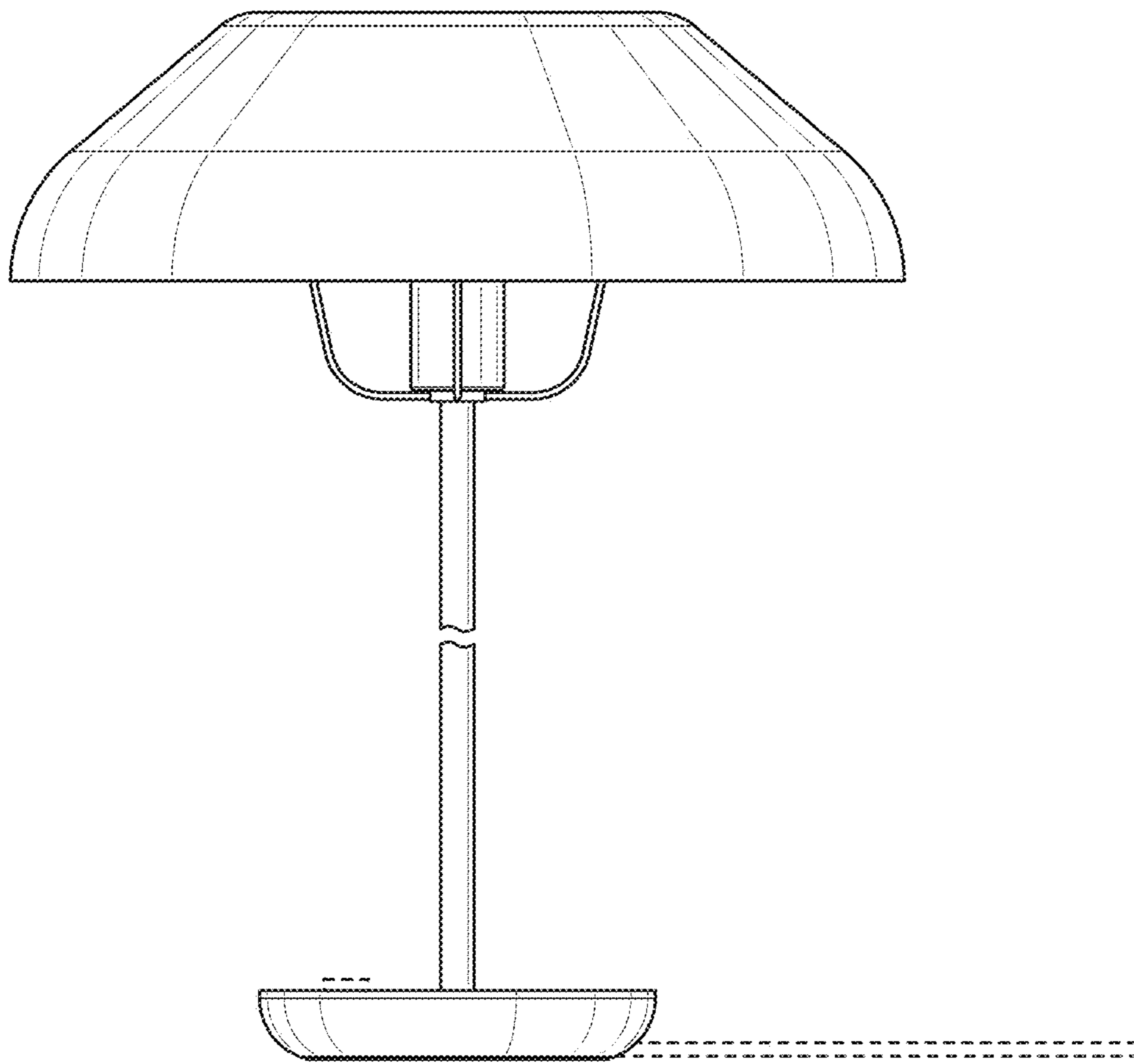


FIG. 6

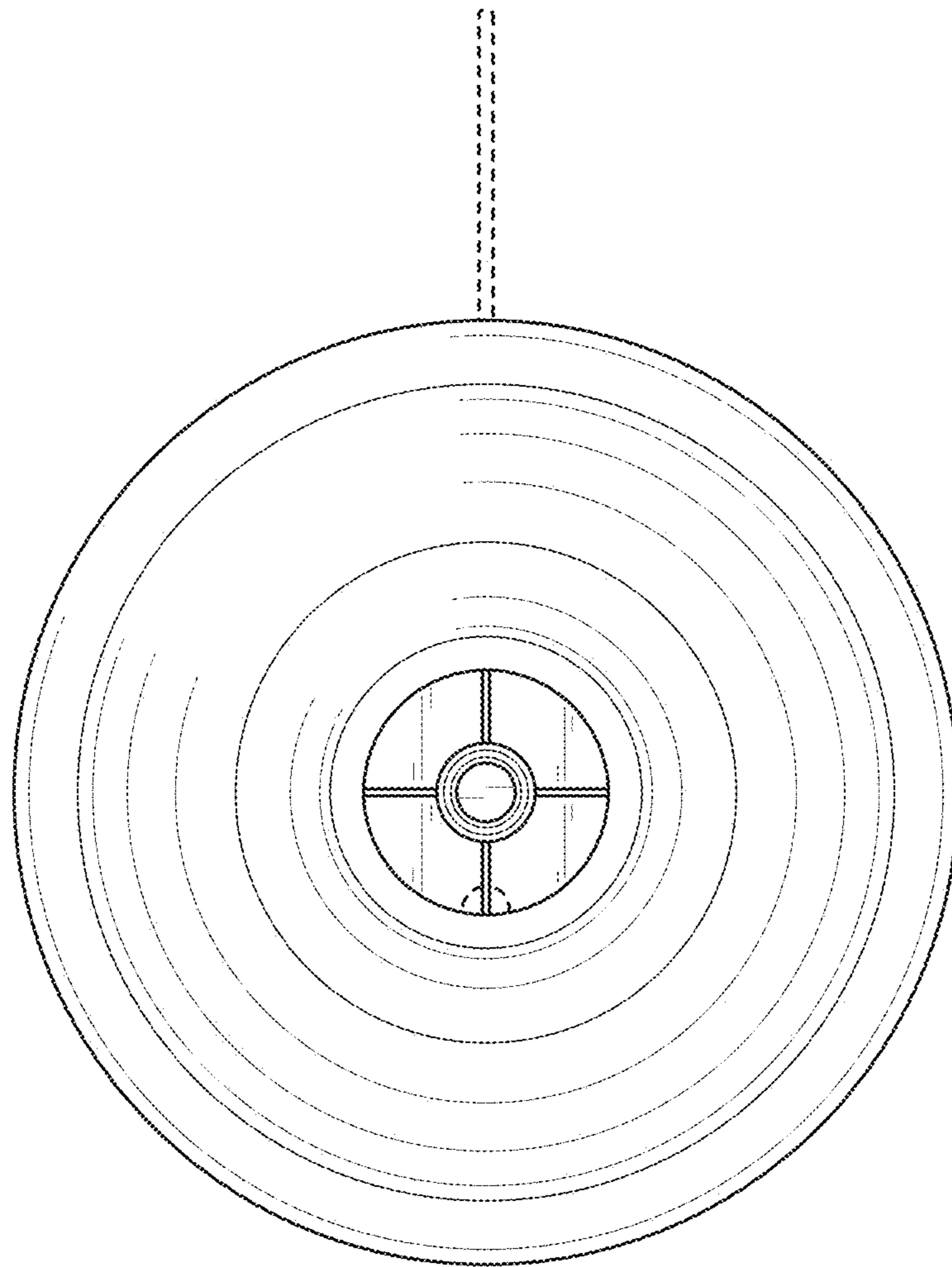


FIG. 7

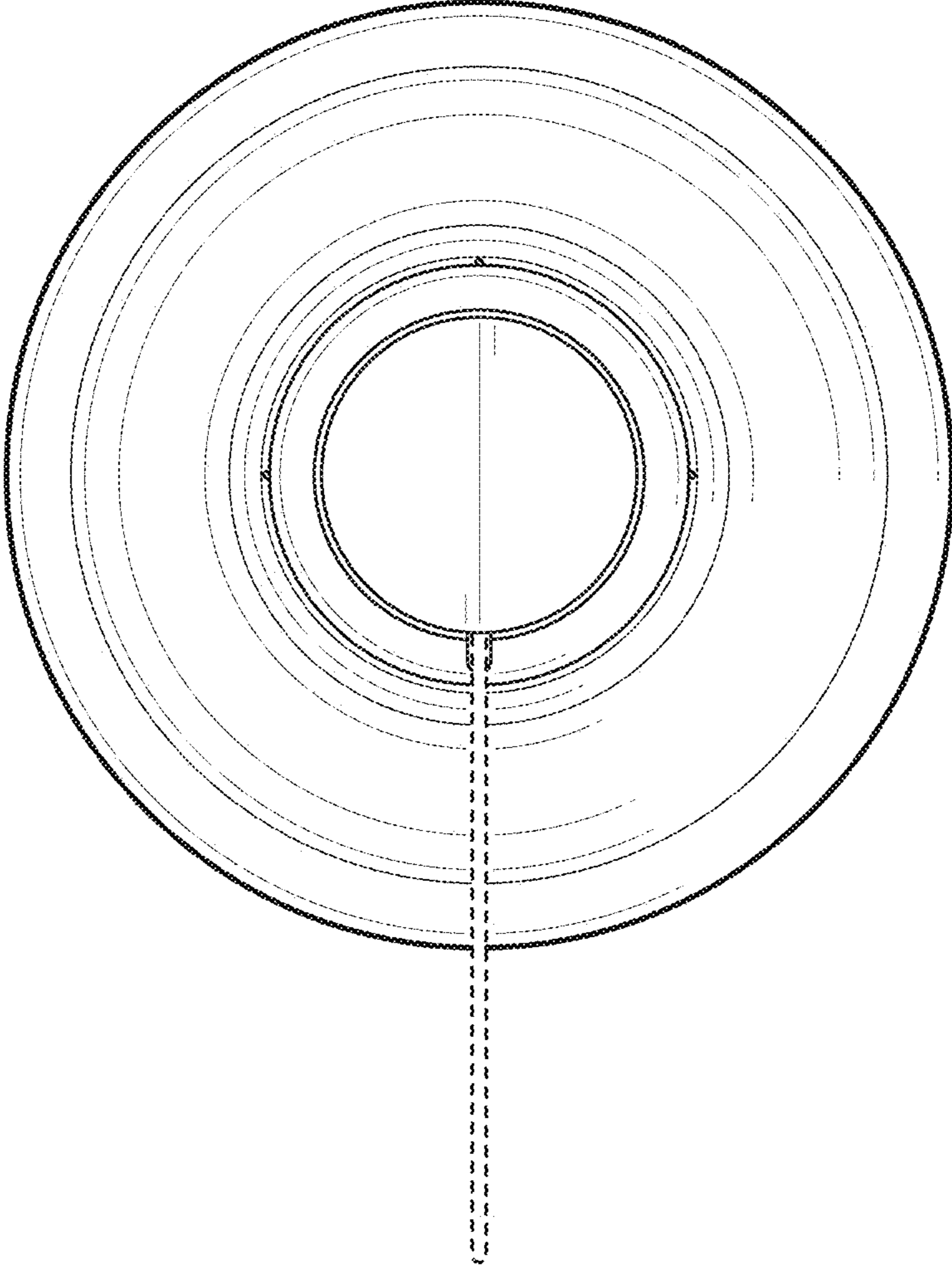


FIG. 8

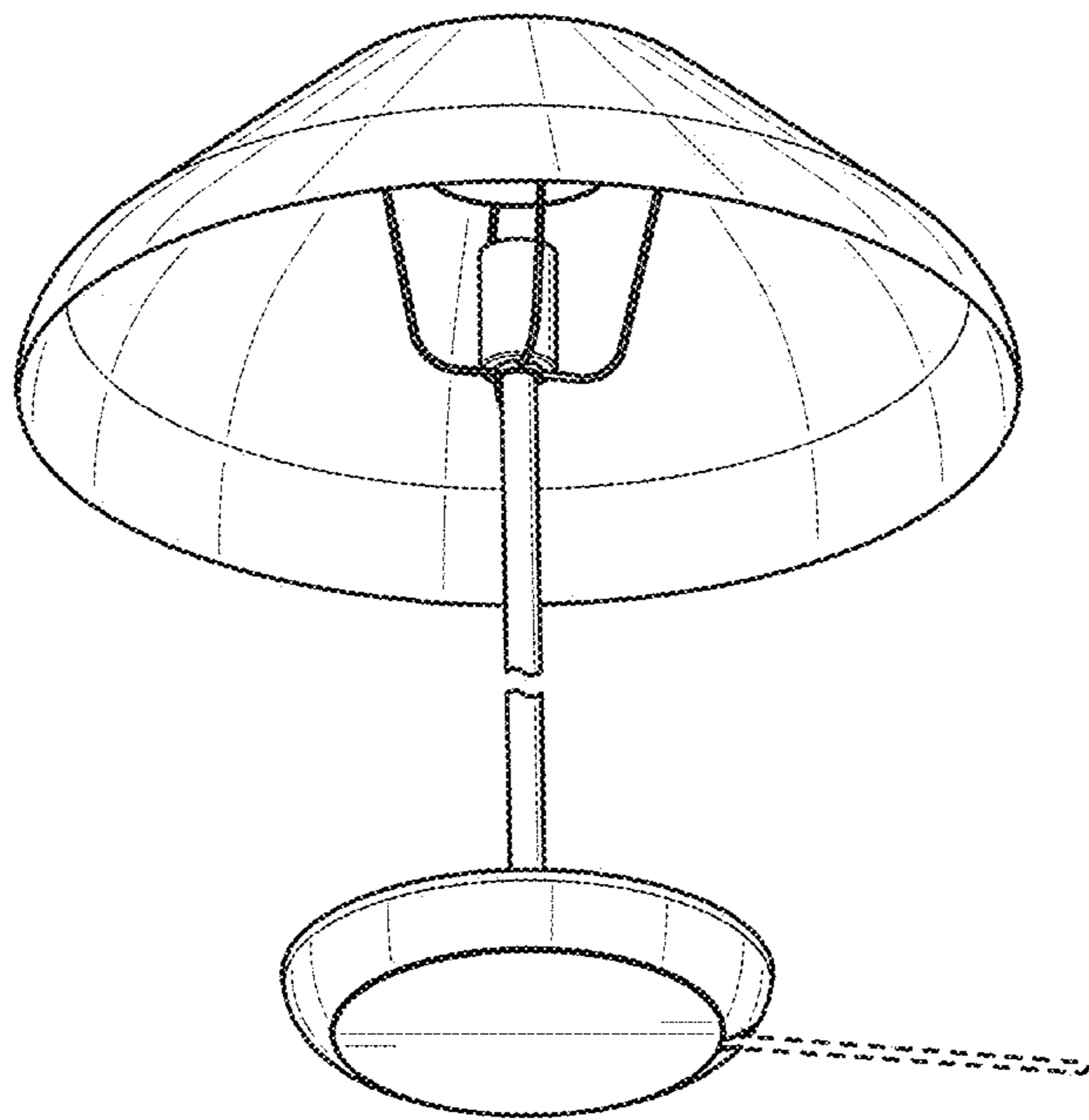


FIG. 9

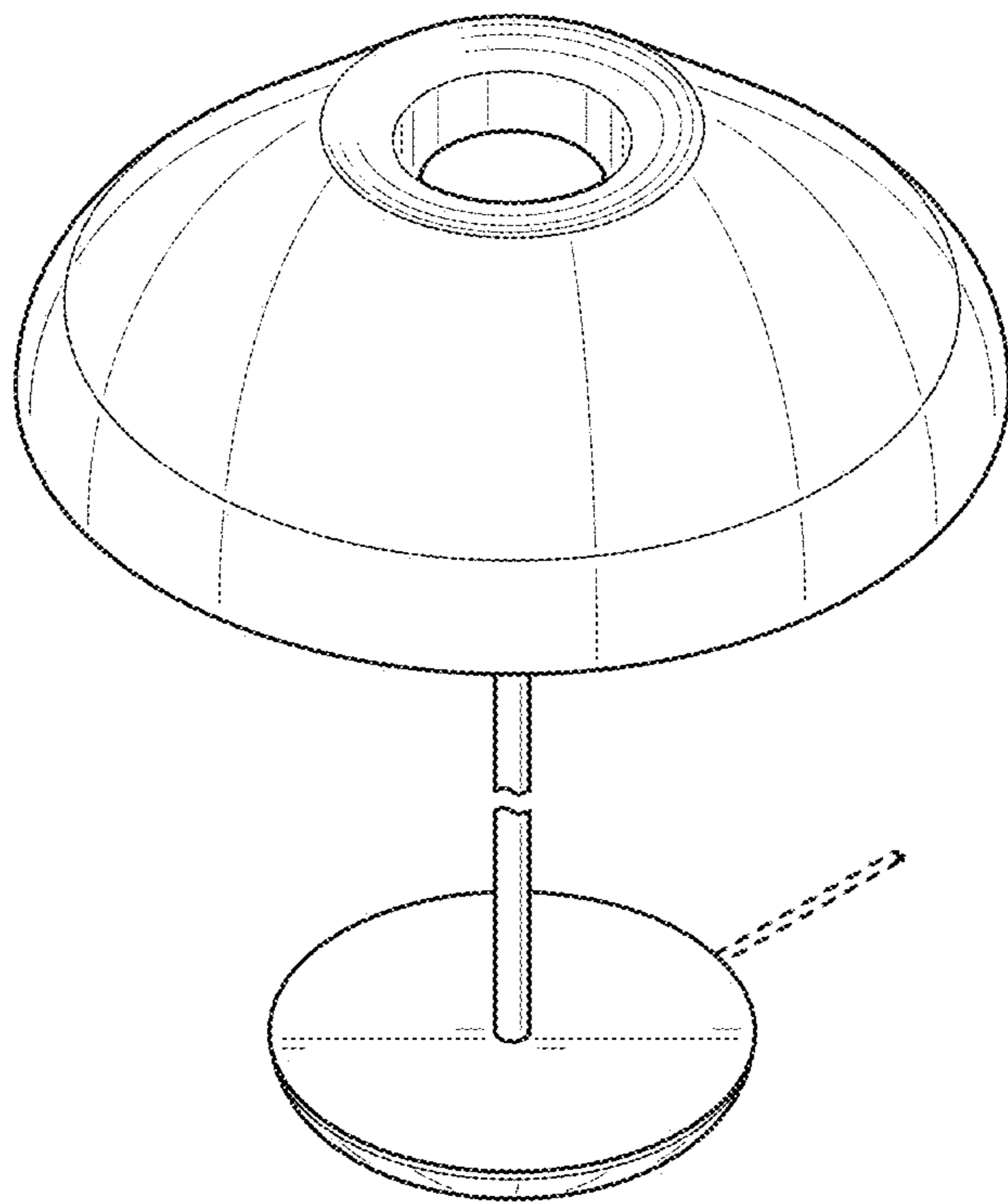


FIG. 10

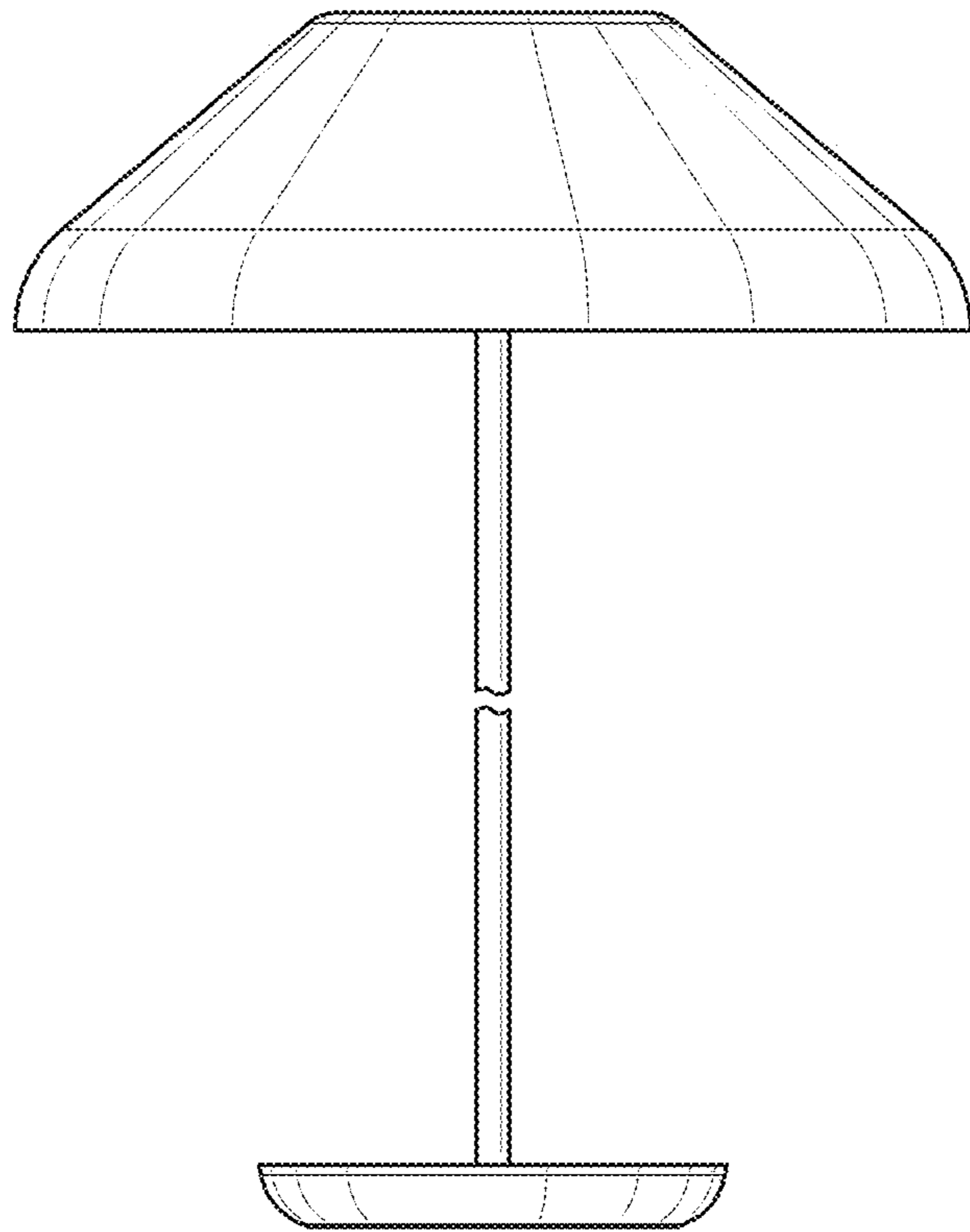


FIG. 11

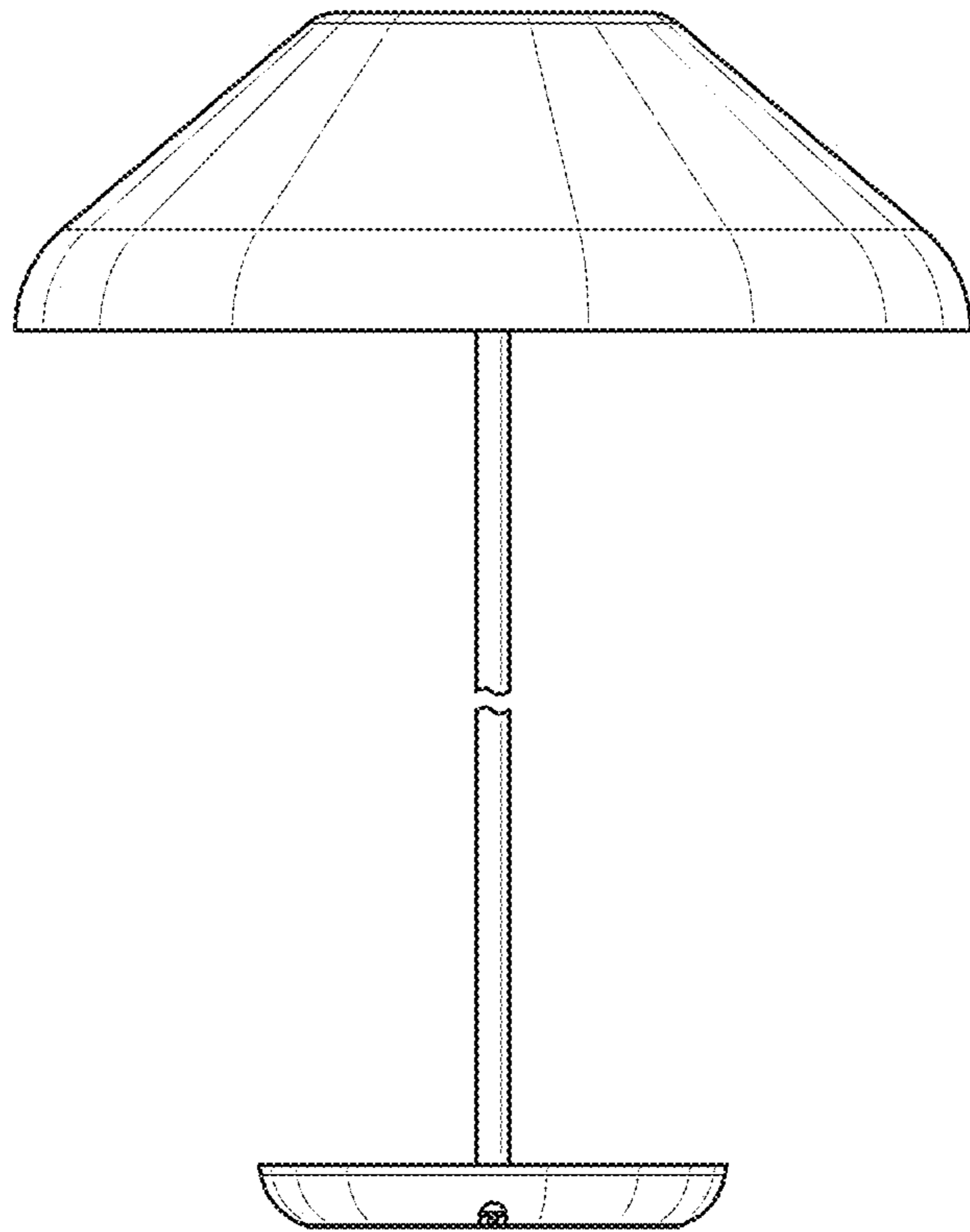


FIG. 12

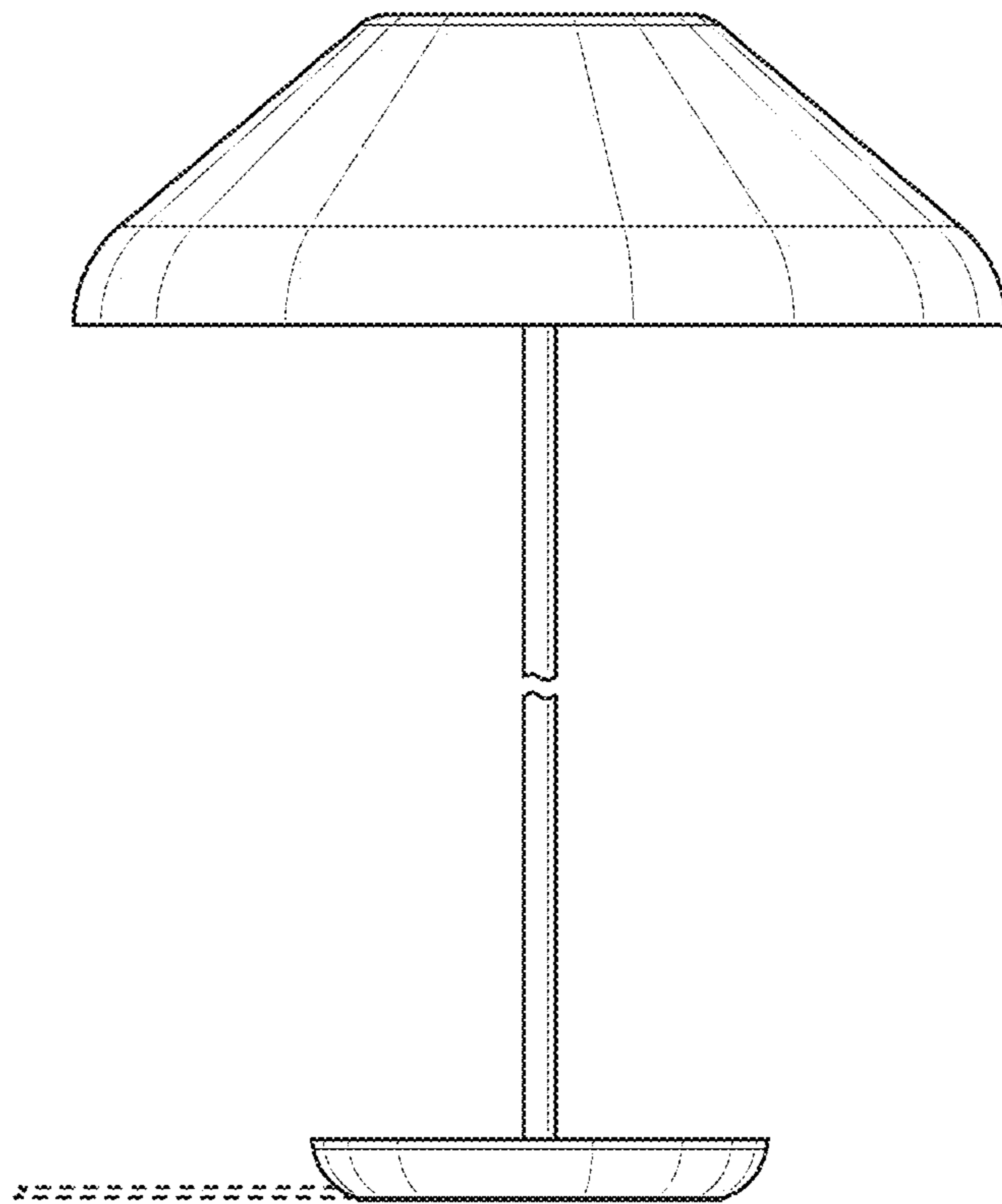


FIG. 13

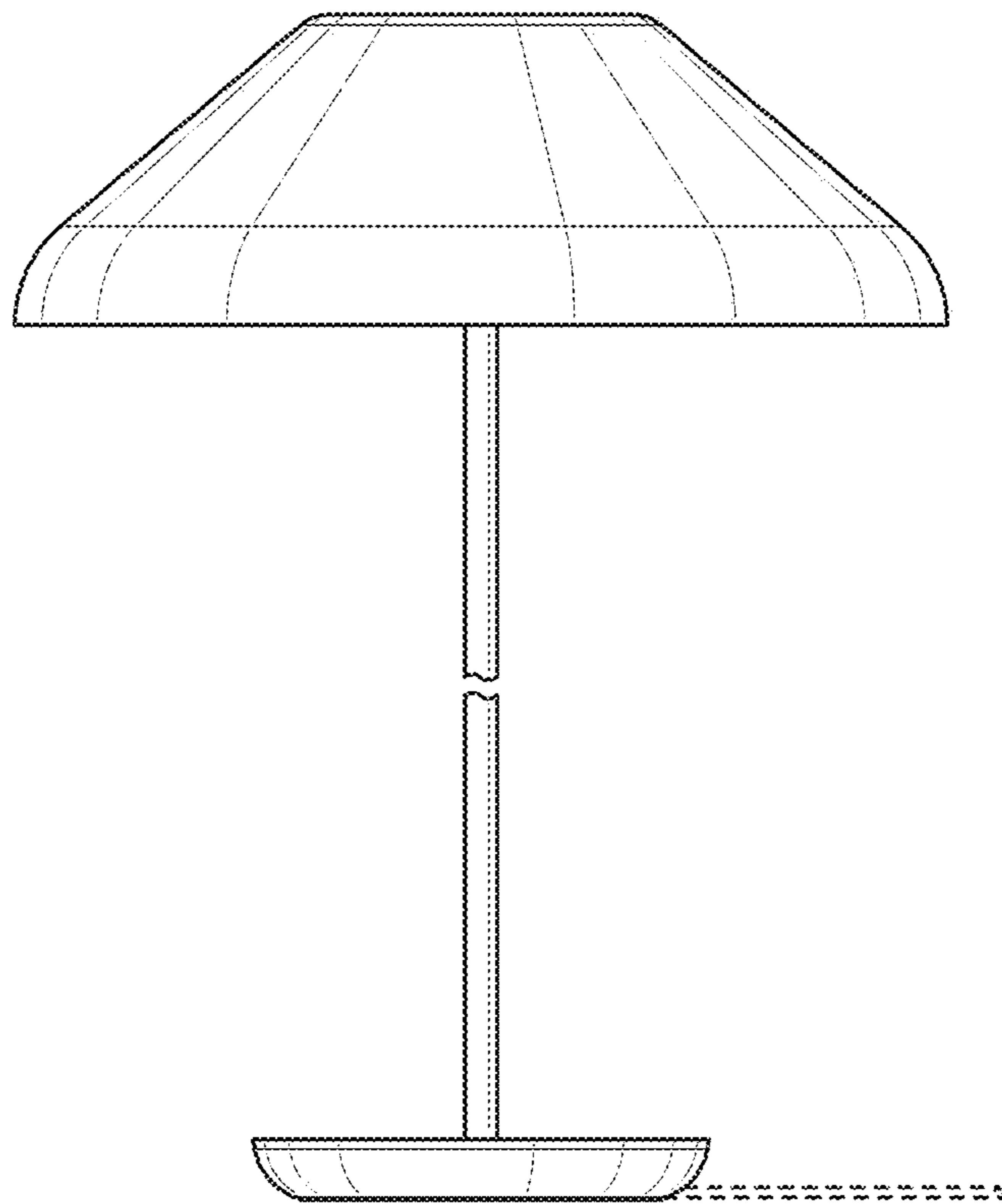


FIG. 14

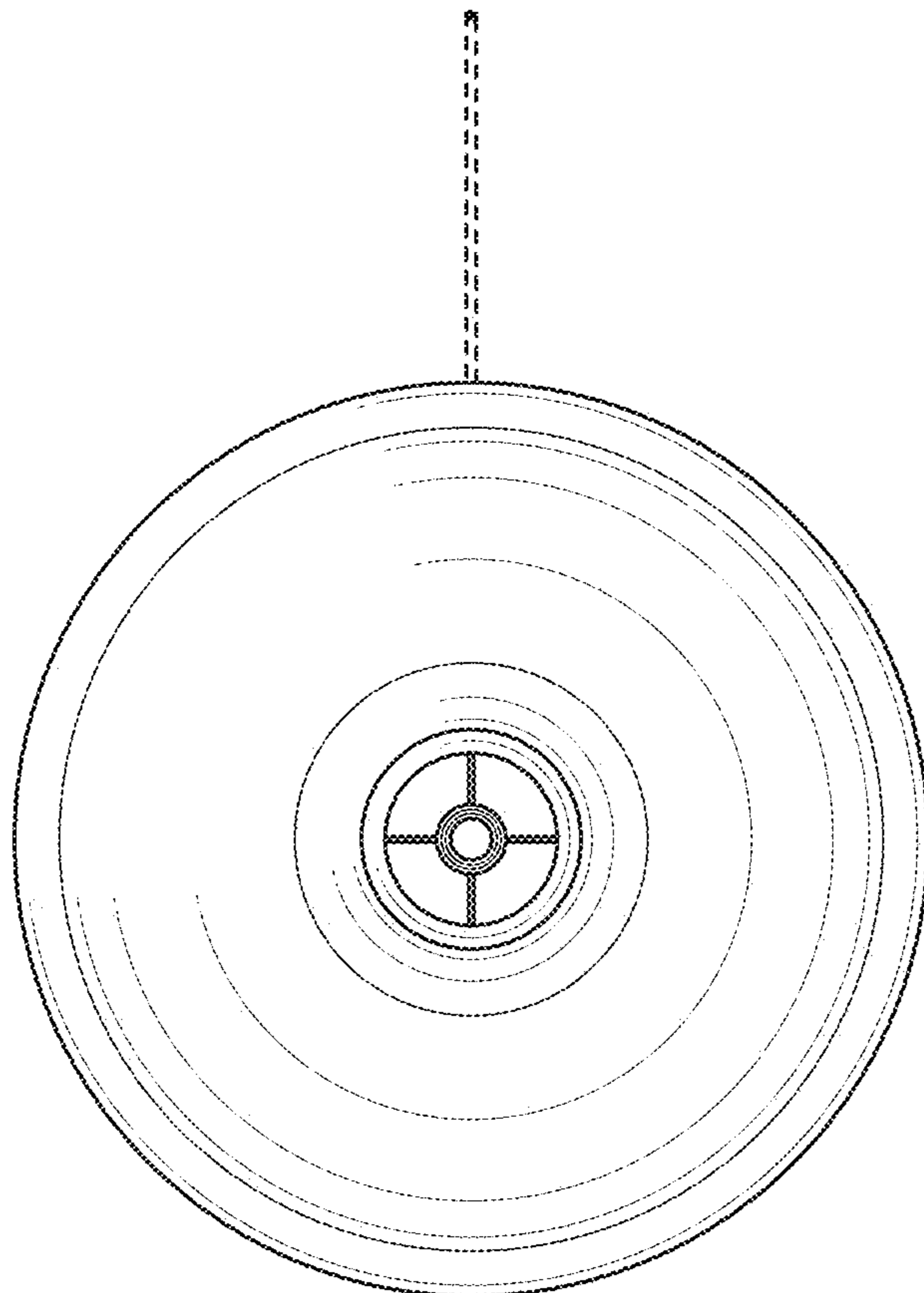


FIG. 15

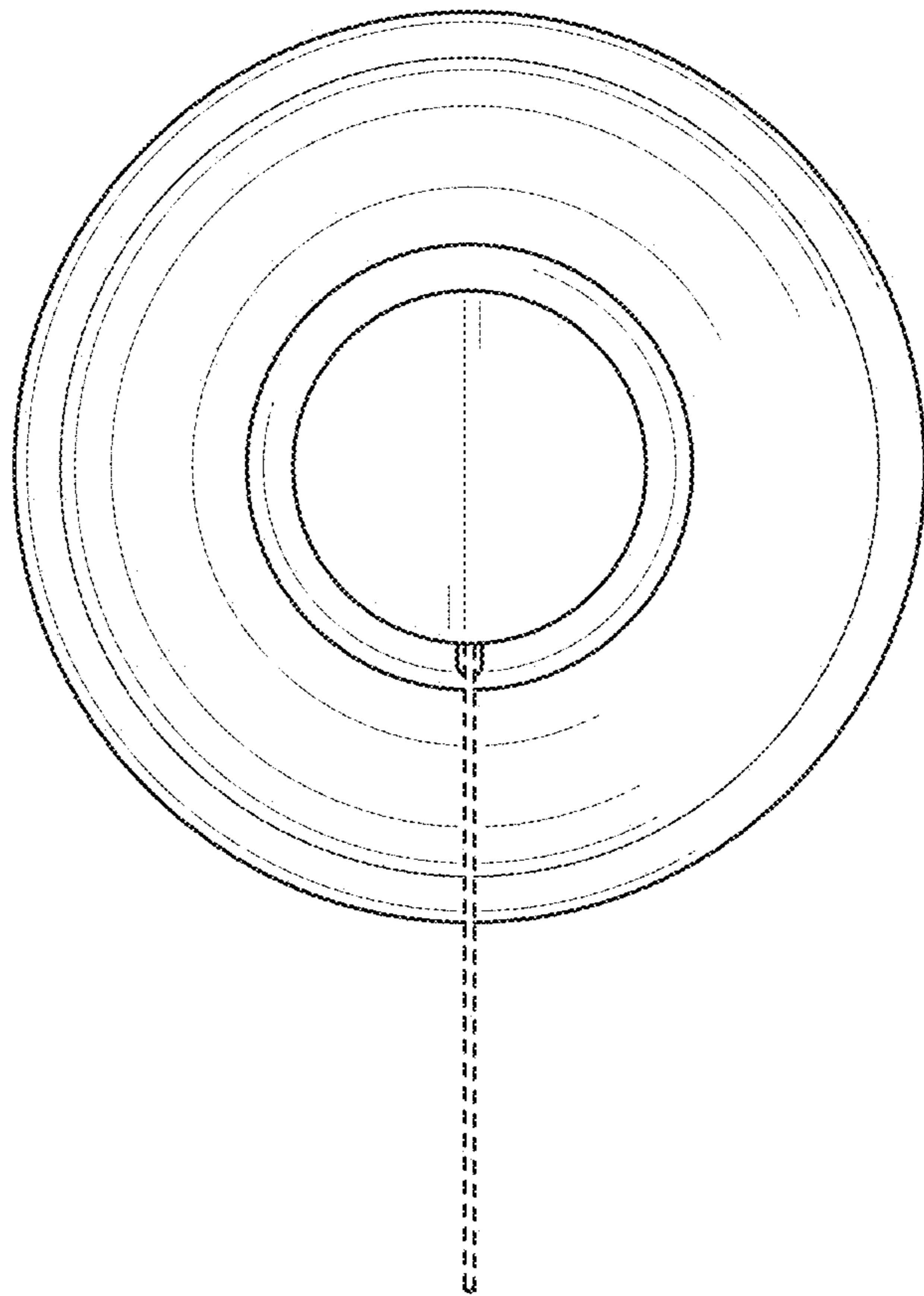


FIG. 16