



US00D905897S

(12) **United States Design Patent** (10) **Patent No.:** **US D905,897 S**
Anastassiades (45) **Date of Patent:** **** Dec. 22, 2020**

(54) **TABLE LAMP**

(71) Applicant: **FLOS S.p.A.**, Bovezzo (IT)
(72) Inventor: **Michael Anastassiades**, Bovezzo (IT)
(73) Assignee: **FLOS S.p.A.**, Bovezzo (IT)
(**) Term: **15 Years**
(21) Appl. No.: **35/507,871**
(22) Filed: **Sep. 13, 2019**
(80) **Hague Agreement Data**
Int. Filing Date: **Sep. 13, 2019**
Int. Reg. No.: **DM/204142**
Int. Reg. Date: **Sep. 13, 2019**
Int. Reg. Pub. Date: **Nov. 29, 2019**

(30) **Foreign Application Priority Data**

Apr. 2, 2019 (IT) 402019000000617

(51) **LOC (12) Cl.** **26-05**

(52) **U.S. Cl.**
USPC **D26/93**

(58) **Field of Classification Search**
USPC D26/76, 78, 79, 80, 81, 82, 83, 85-90,
D26/93, 111, 113, 118, 119, 120, 121,
D26/122, 138, 139, 140, 141, 142, 152
CPC F21S 2/00; F21S 4/00; F21S 4/003; F21S
4/005; F21S 4/006; F21S 4/007; F21S
4/008; F21S 6/00; F21S 8/00; F21S
8/024; F21S 8/026; F21S 8/031; F21S
8/033; F21S 8/035-037; F21S 8/04; F21S
8/043; F21S 8/063

See application file for complete search history.

(56) **References Cited**

U.S. PATENT DOCUMENTS

| | | | | | | |
|----------|---|---|---------|---------------|-------|---------|
| D398,416 | S | * | 9/1998 | Huang | | D26/110 |
| D413,999 | S | * | 9/1999 | Diaz-Azcuy | | D26/110 |
| D733,956 | S | * | 7/2015 | Ellis | | D26/110 |
| D738,561 | S | * | 9/2015 | Ellis | | D26/110 |
| D741,536 | S | * | 10/2015 | Ellis | | D26/110 |
| D790,109 | S | * | 6/2017 | Starck | | D26/110 |
| D803,462 | S | * | 11/2017 | Couckhuyt | | D26/93 |
| D825,094 | S | * | 8/2018 | Hendifar | | D26/106 |
| D828,609 | S | * | 9/2018 | Barber | | D26/110 |
| D857,972 | S | * | 8/2019 | Starck | | D26/93 |
| D866,054 | S | * | 11/2019 | Barber | | D26/93 |
| D868,343 | S | * | 11/2019 | Anastassiades | | D26/93 |
| D869,055 | S | * | 12/2019 | Anastassiades | | D26/93 |
| D879,357 | S | * | 3/2020 | Vuorivirta | | D26/104 |
| D881,442 | S | * | 4/2020 | Jiang | | D26/110 |
| D882,153 | S | * | 4/2020 | Amato | | D26/110 |
| D888,321 | S | * | 6/2020 | Smrstick | | D26/93 |

* cited by examiner

Primary Examiner — Natasha Vujcic

(74) *Attorney, Agent, or Firm* — Thomas | Horstemeyer, LLP

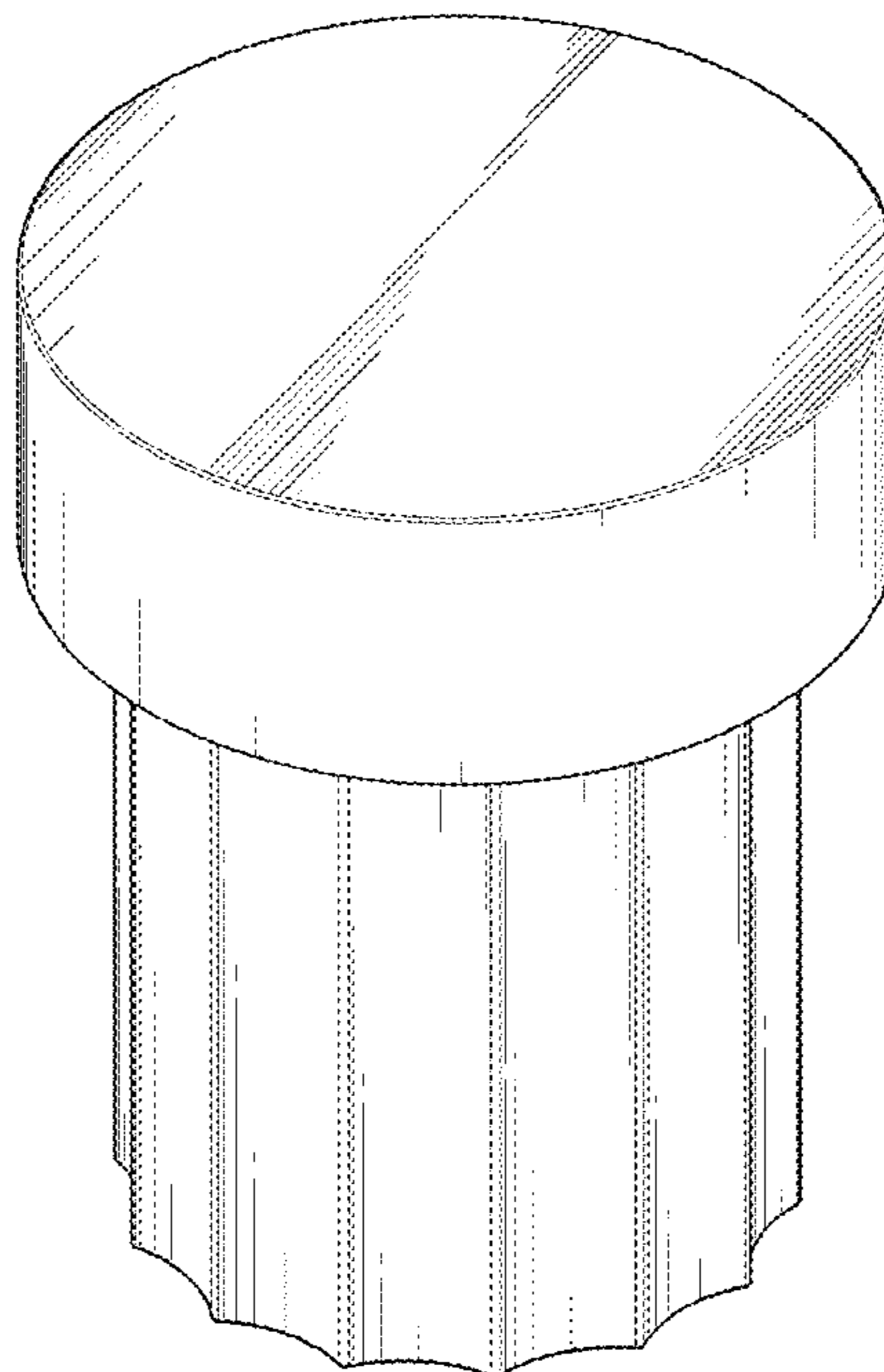
(57) **CLAIM**

The ornamental design for a table lamp, as shown and described.

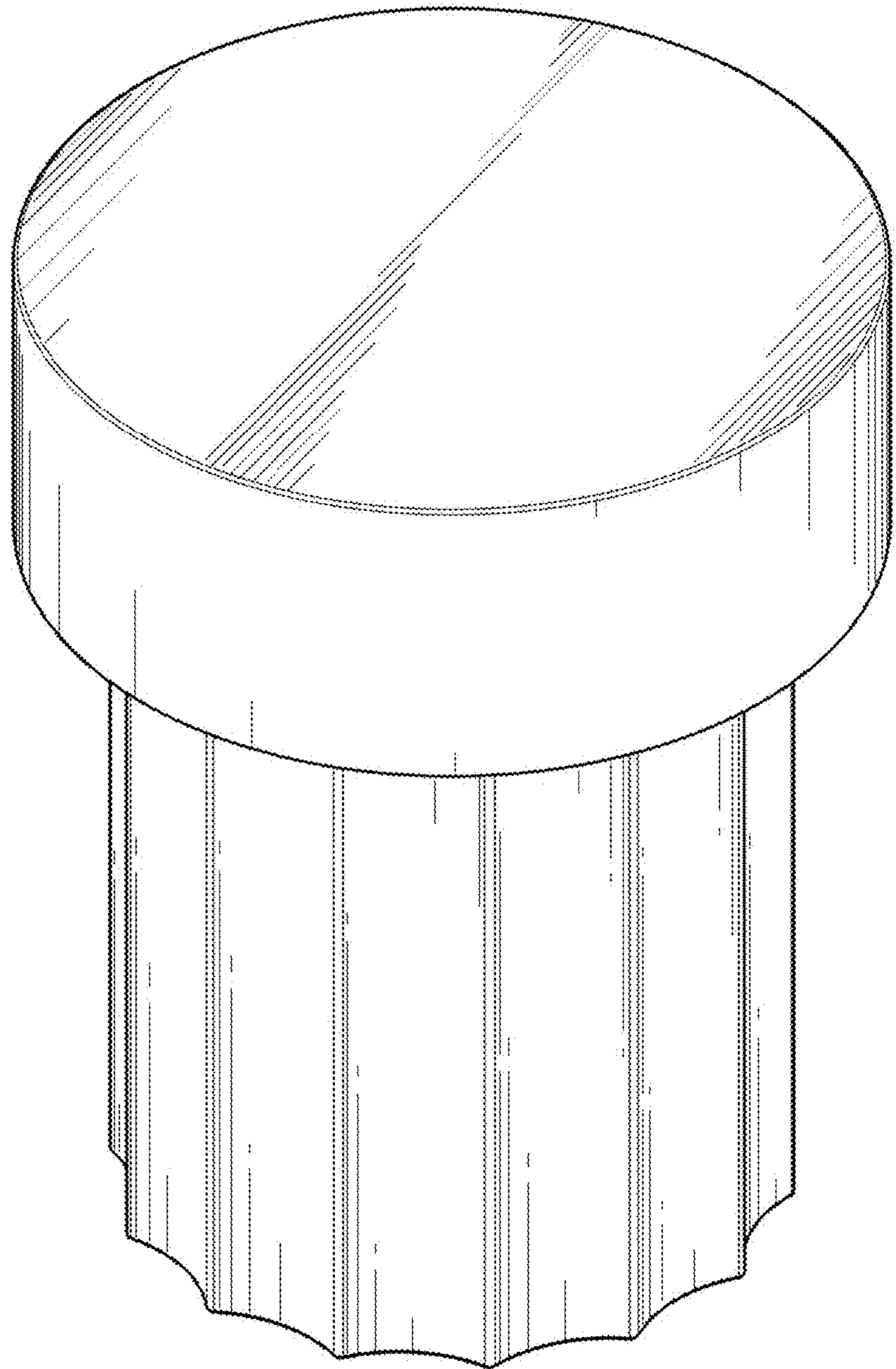
DESCRIPTION

1. Table lamp
FIG. 1.1 is a perspective view of the design; FIG. 1.2 is a front view thereof; FIG. 1.3 is a rear view thereof; FIG. 1.4 is a right view thereof; FIG. 1.5 is a left view thereof; FIG. 1.6 is a top view thereof; FIG. 1.7 is a bottom view thereof; FIG. 1.8 is a cross-sectional view thereof.

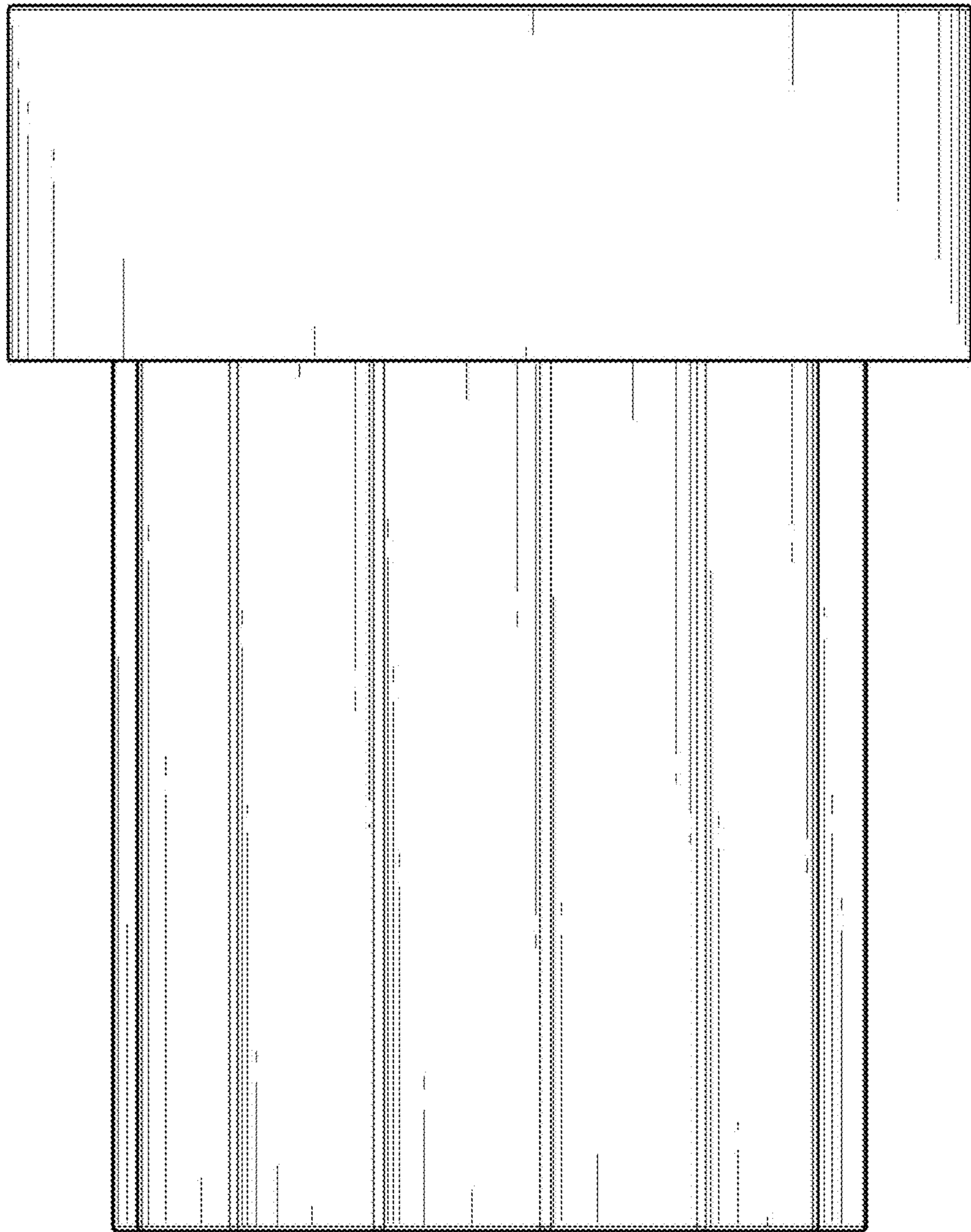
1 Claim, 8 Drawing Sheets



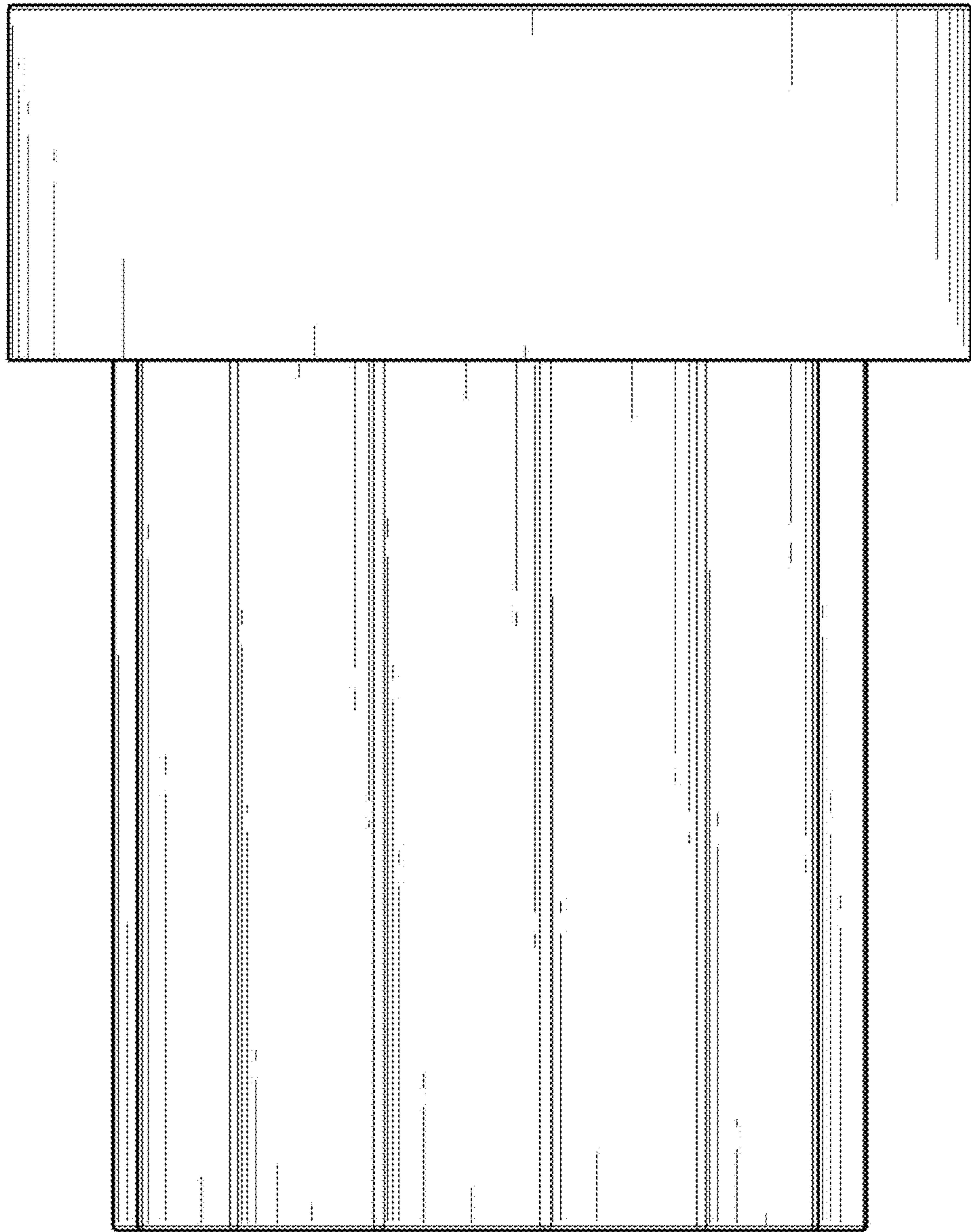
1.1



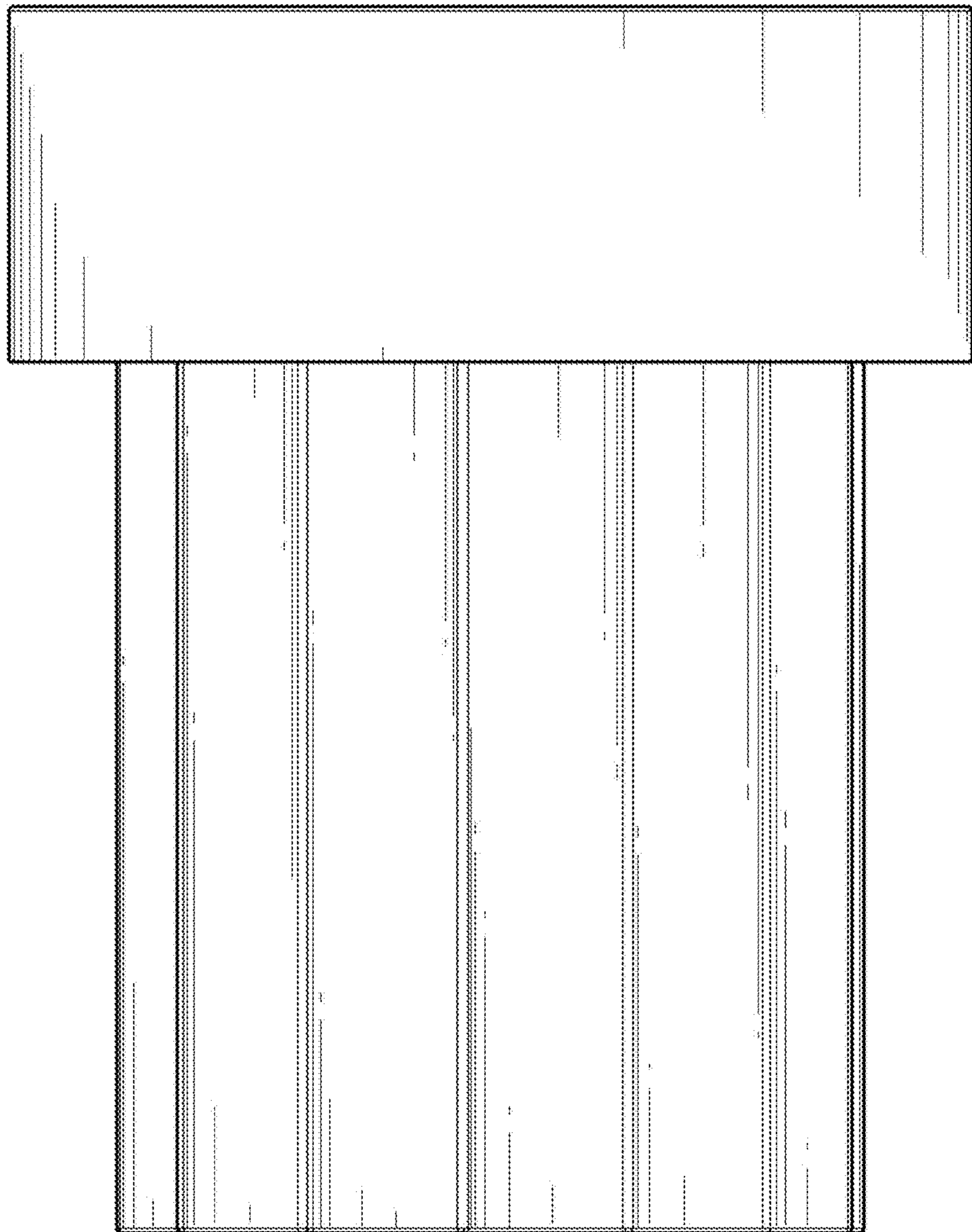
1.2



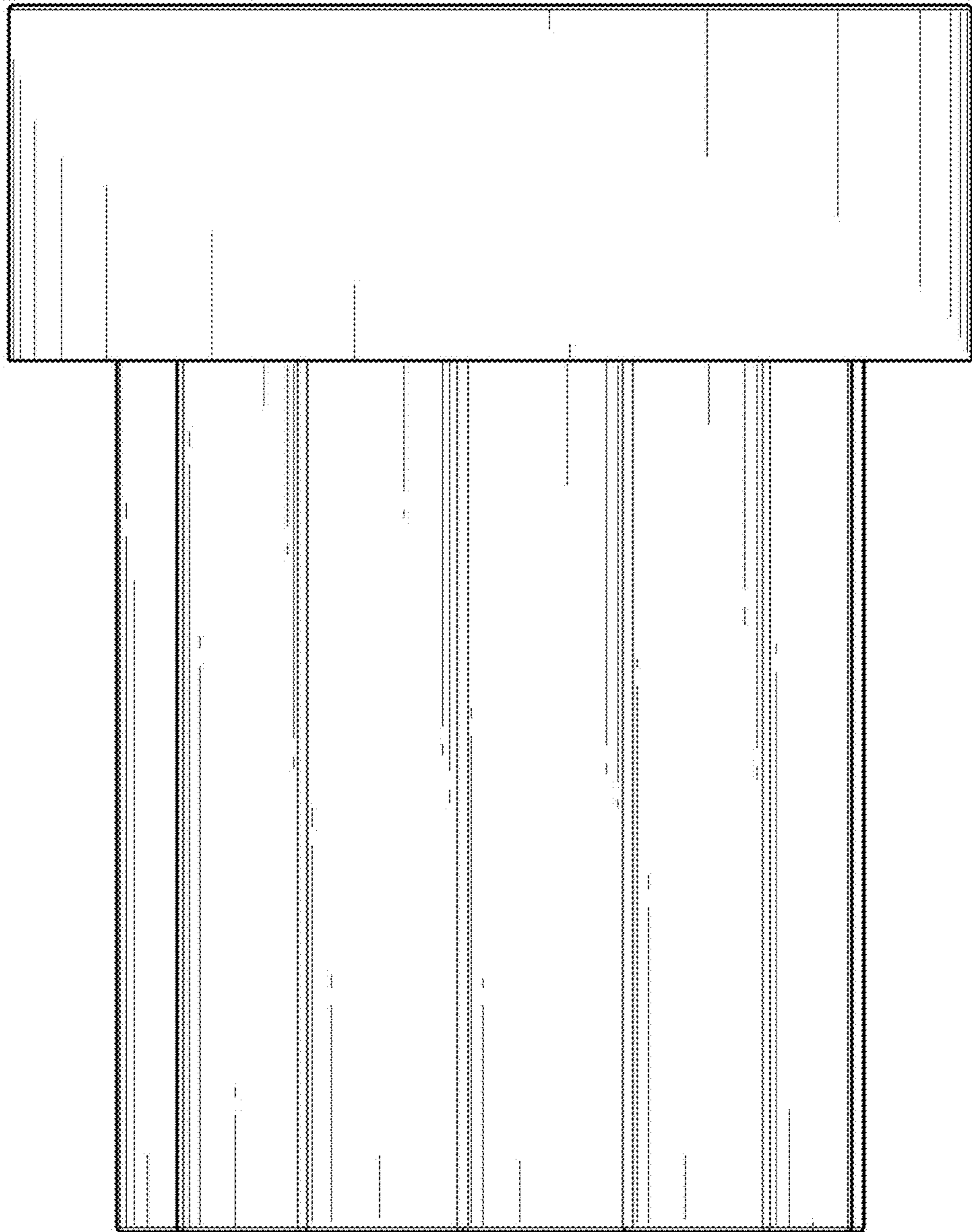
1.3



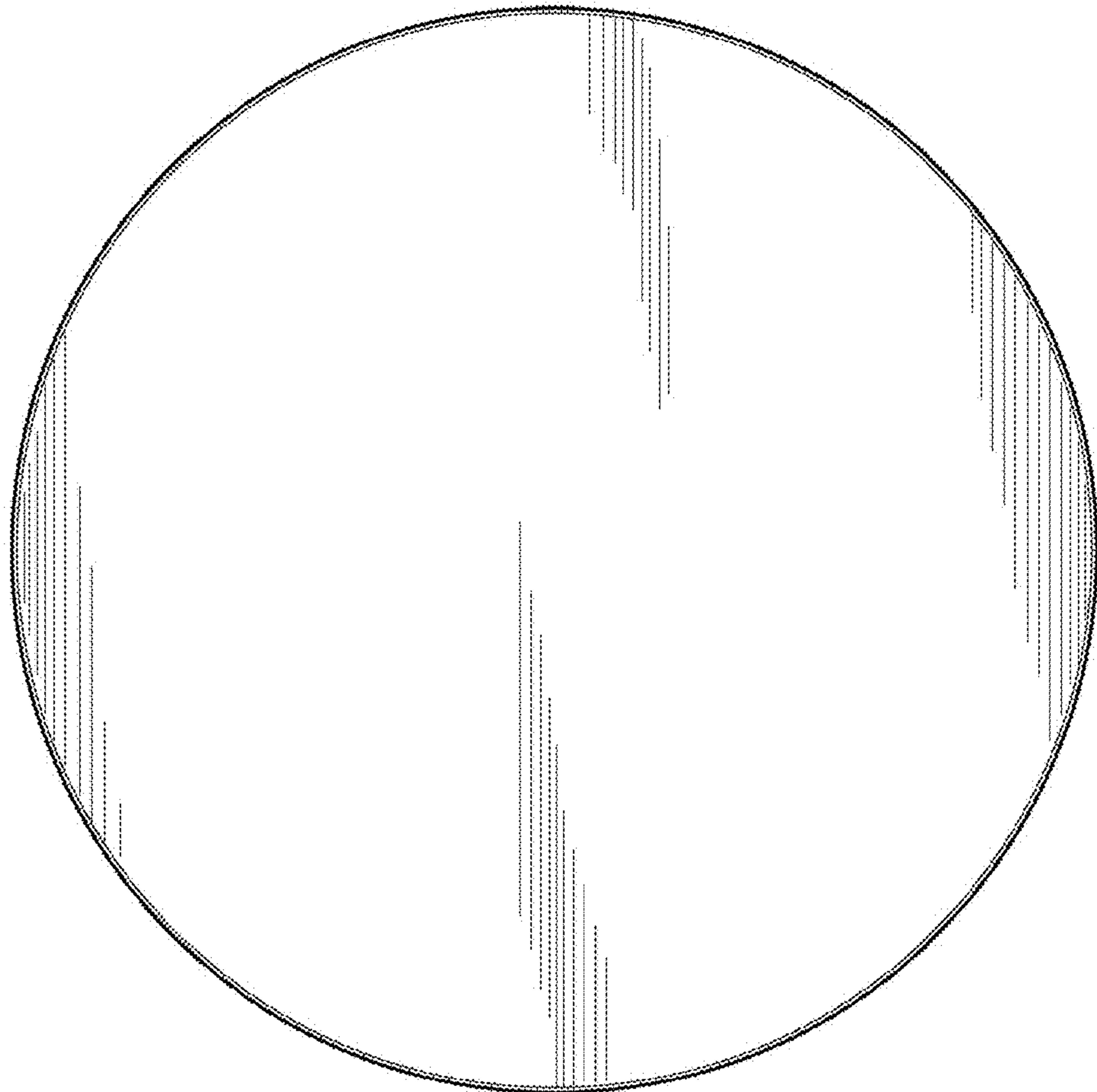
1.4



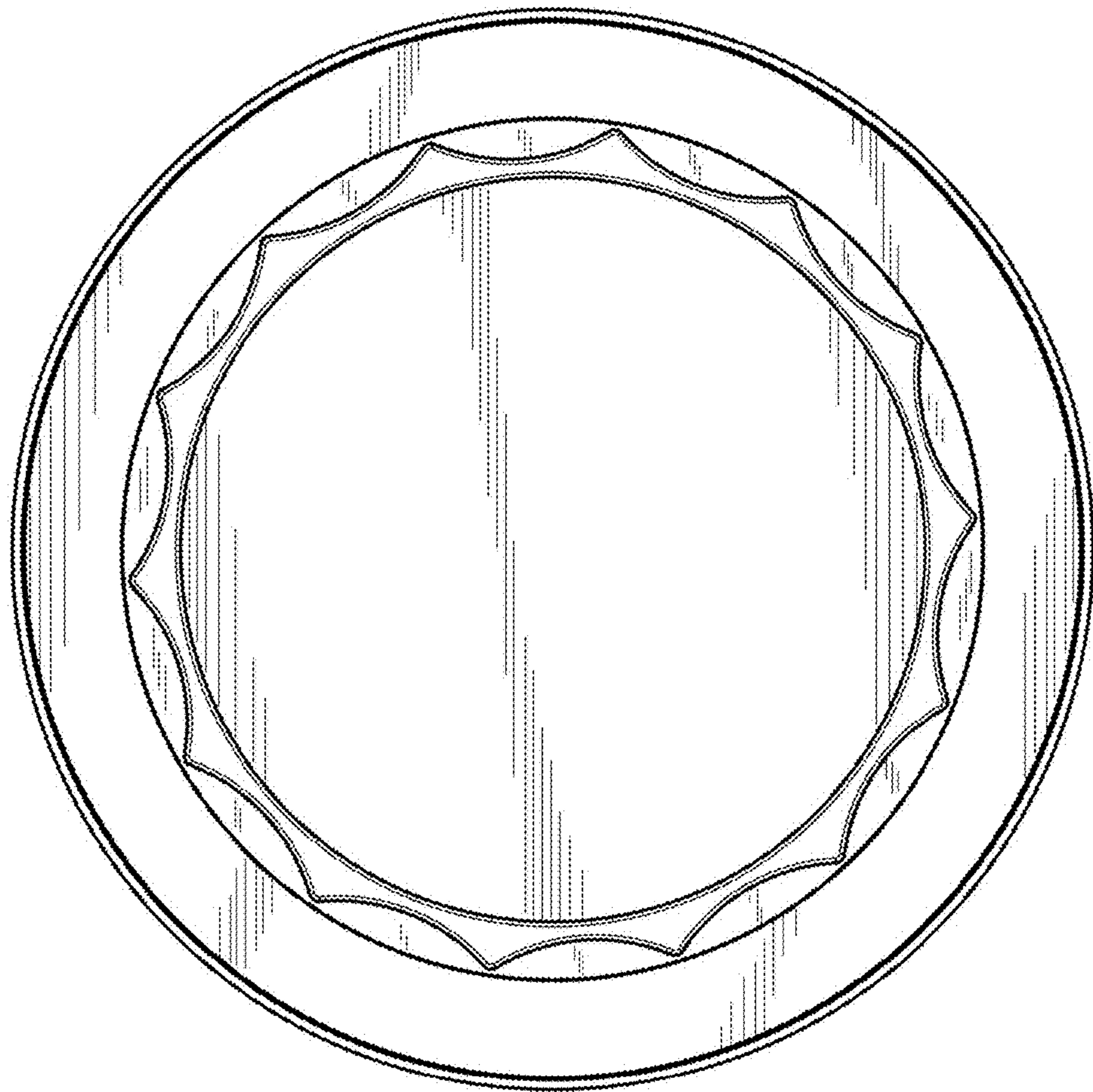
1.5



1.6



1.7



1.8

