



US00D905896S

(12) **United States Design Patent** (10) **Patent No.:** **US D905,896 S**  
**Anastassiades** (45) **Date of Patent:** **\*\* Dec. 22, 2020**

(54) **CEILING LIGHT**  
(71) Applicant: **FLOS S.P.A.**, Bovezzo (IT)  
(72) Inventor: **Michael Anastassiades**, Bovezzo (IT)  
(73) Assignee: **FLOS S.p.A.**, Bovezzo (IT)  
(\*\*) Term: **15 Years**  
(21) Appl. No.: **35/507,917**  
(22) Filed: **Sep. 20, 2019**  
(80) **Hague Agreement Data**  
Int. Filing Date: **Sep. 20, 2019**  
Int. Reg. No.: **DM/204175**  
Int. Reg. Date: **Sep. 20, 2019**  
Int. Reg. Pub. Date: **Nov. 29, 2019**

(30) **Foreign Application Priority Data**  
Apr. 2, 2019 (IT) ..... 402019000000619  
(51) **LOC (12) Cl.** ..... **26-05**  
(52) **U.S. Cl.**  
USPC ..... **D26/90**  
(58) **Field of Classification Search**  
USPC ..... D26/72, 74, 75, 76, 78-83, 85, 86, 88,  
D26/90, 93, 104, 111, 113, 118-122,  
D26/138-142, 152  
CPC ..... F21S 2/00; F21S 4/00; F21S 4/003; F21S  
4/005; F21S 4/006; F21S 4/007; F21S  
4/008; F21S 6/00; F21S 8/00; F21S  
8/024; F21S 8/026; F21S 8/031; F21S  
8/033; F21S 8/035-037; F21S 8/04; F21S  
8/043; F21S 8/063  
See application file for complete search history.

(56) **References Cited**  
U.S. PATENT DOCUMENTS  
D187,949 S \* 5/1960 Salvia ..... D26/110  
D397,234 S \* 8/1998 Huang ..... D26/63

D408,579 S \* 4/1999 Herring ..... D26/110  
D573,299 S \* 7/2008 Fanning ..... D26/153  
D613,897 S \* 4/2010 Thun ..... D26/88  
D715,985 S \* 10/2014 Anastassiades ..... D26/88  
D724,251 S \* 3/2015 Anastassiades ..... D26/93  
D748,314 S \* 1/2016 Leijh ..... D26/63

(Continued)

*Primary Examiner* — Natasha Vujcic  
(74) *Attorney, Agent, or Firm* — Thomas I Horstemeyer,  
LLP

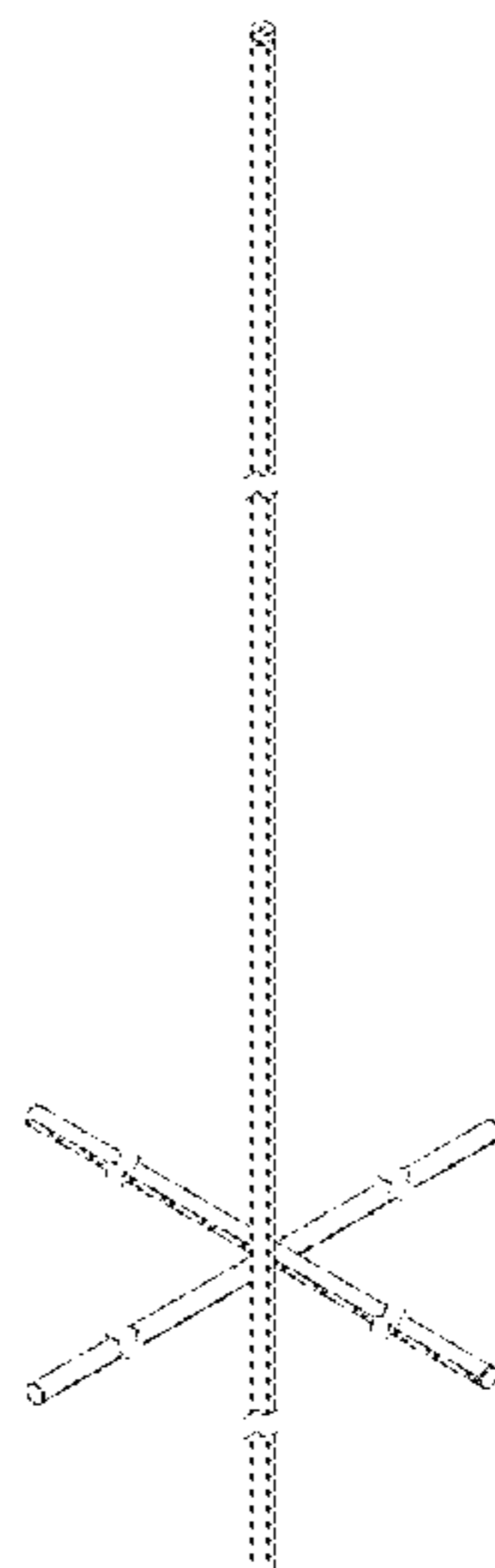
(57) **CLAIM**

The ornamental design for a ceiling light, as shown and described.

**DESCRIPTION**

1. Ceiling light  
FIG. 1.1 is a perspective view of the design;  
FIG. 1.2 is a front view thereof;  
FIG. 1.3 is a rear view thereof;  
FIG. 1.4 is a left view thereof;  
FIG. 1.5 is a right view thereof;  
FIG. 1.6 is a top view thereof;  
FIG. 1.7 is a bottom view thereof.  
The design is a ceiling light consisting of a first cylindrical body, a second cylindrical body and a third cylindrical body; the first body extends along a vertical axis, which is perpendicular to a horizontal plane; the second body extends along a first horizontal axis perpendicular to the vertical axis; the third body extends along a second horizontal axis perpendicular to the vertical axis and to the first horizontal axis; the second body and the third body are joined to the first body in the same zone; each cylindrical wall has an opaque portion and a translucent portion; the opaque portions of the second body and of the third are joined to the opaque portion of the first body; each body houses a LED light source;  
The break lines in the drawings indicate that the appearance of any portion of the ceiling light between the break lines forms no part of the claimed design.

**1 Claim, 7 Drawing Sheets**



(56)

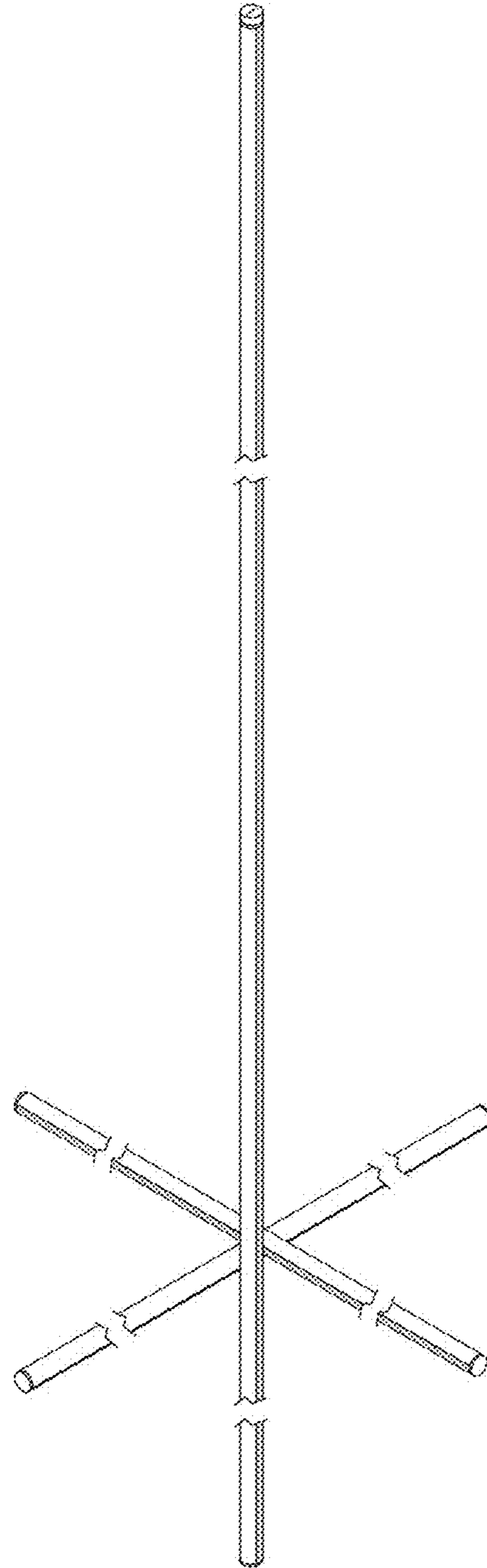
**References Cited**

U.S. PATENT DOCUMENTS

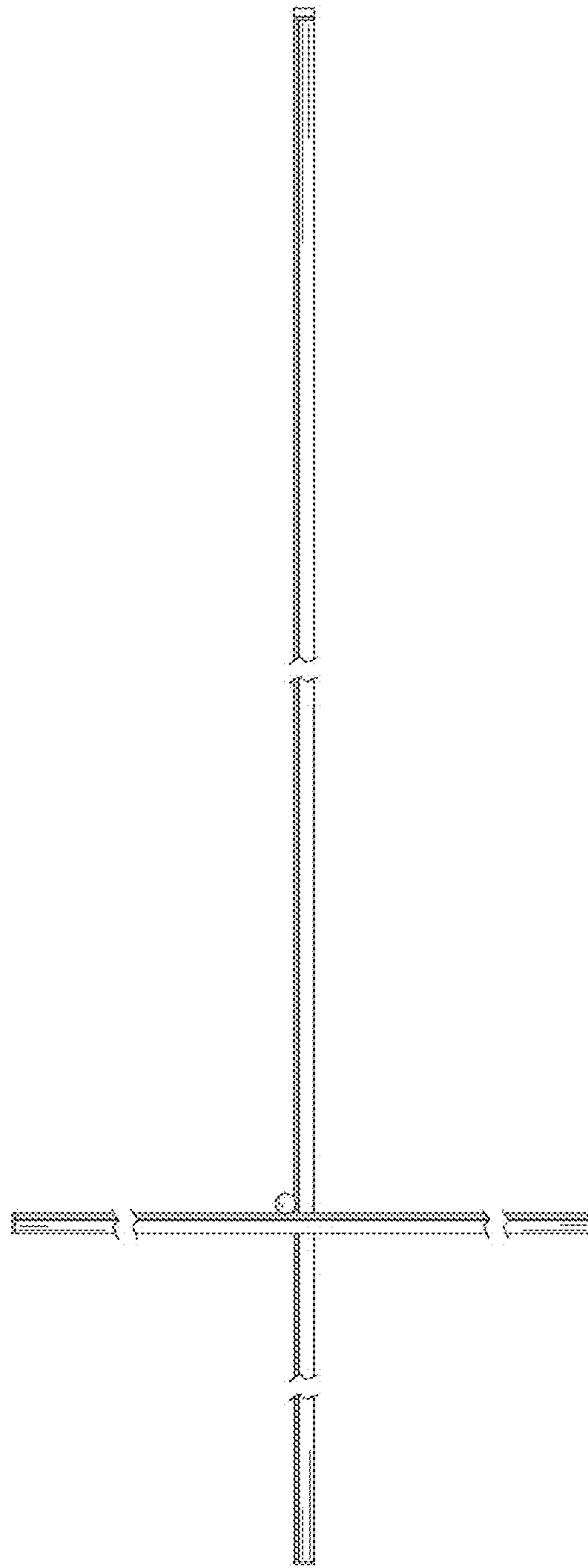
D805,671 S \* 12/2017 Liping ..... D26/63  
D829,960 S \* 10/2018 Sonneman ..... D26/90  
D846,789 S \* 4/2019 Barber ..... D26/88  
D847,413 S \* 4/2019 Tsai ..... D26/138  
D858,853 S \* 9/2019 Anastassiades ..... D26/76  
D869,741 S \* 12/2019 Sonneman ..... D26/138  
D869,742 S \* 12/2019 Sonneman ..... D26/138  
D869,743 S \* 12/2019 Sonneman ..... D26/138

\* cited by examiner

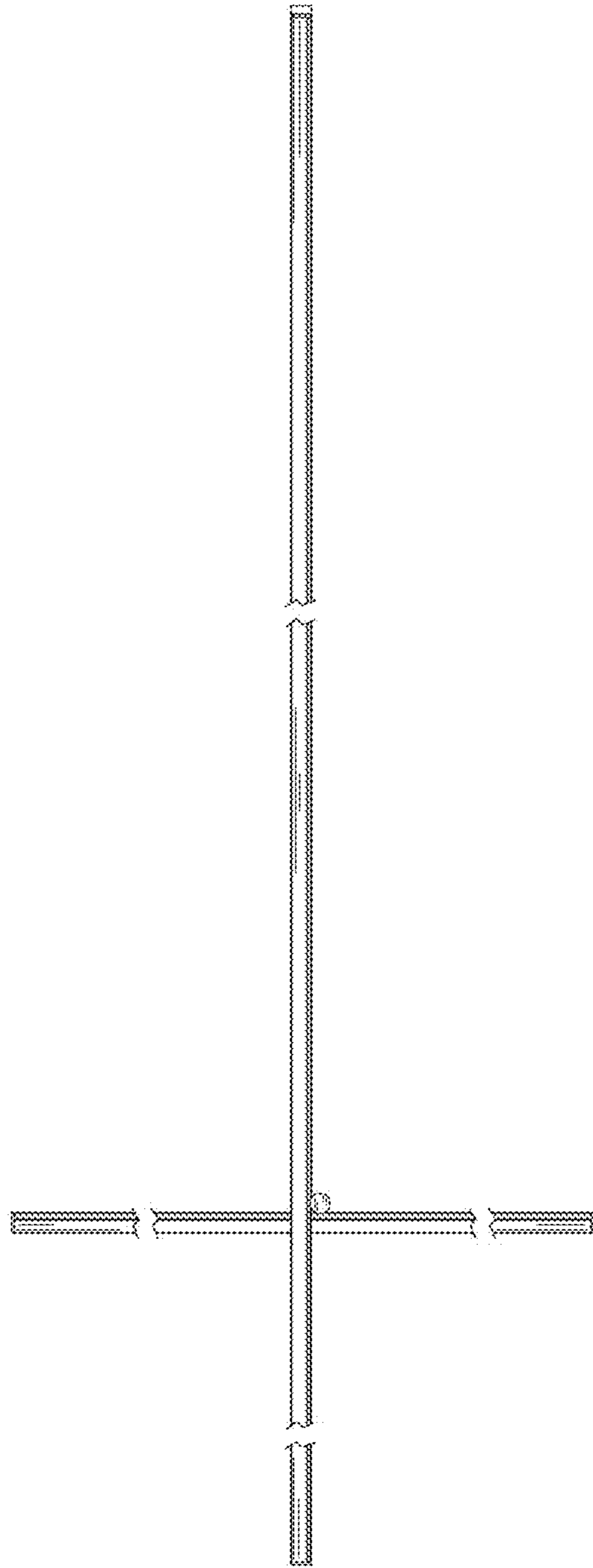
1.1



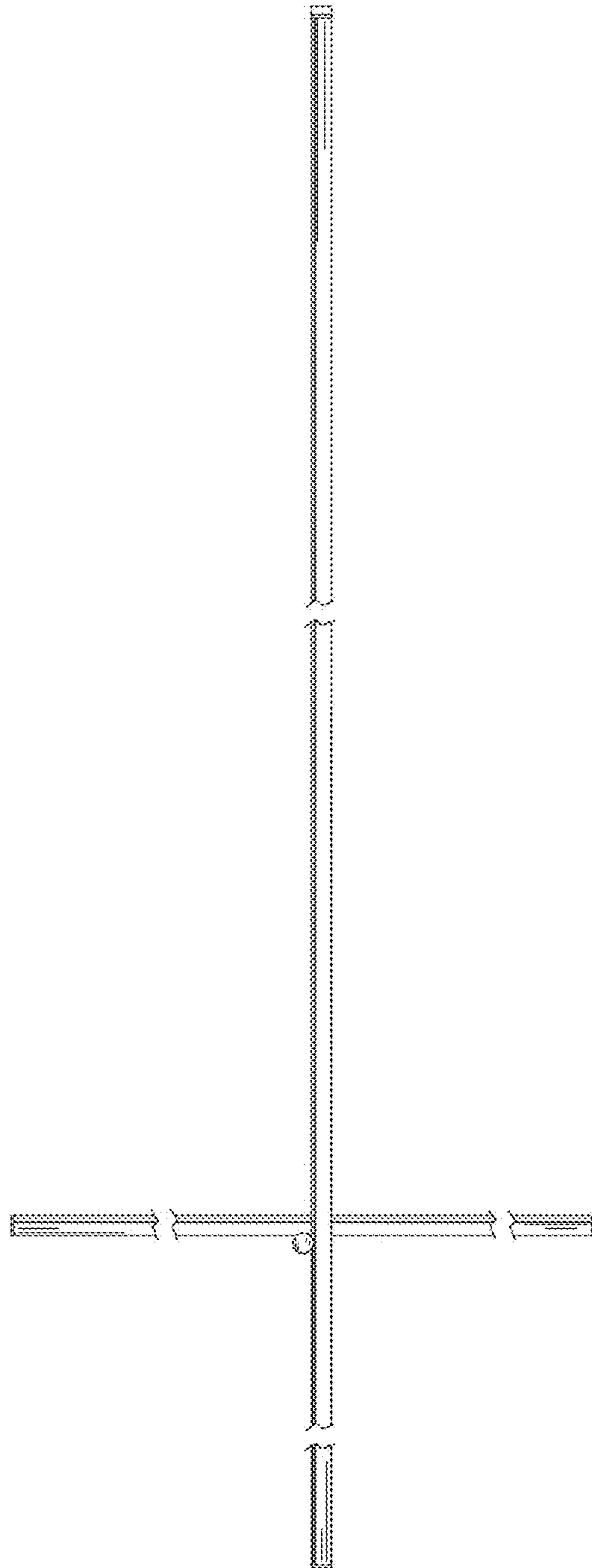
1.2



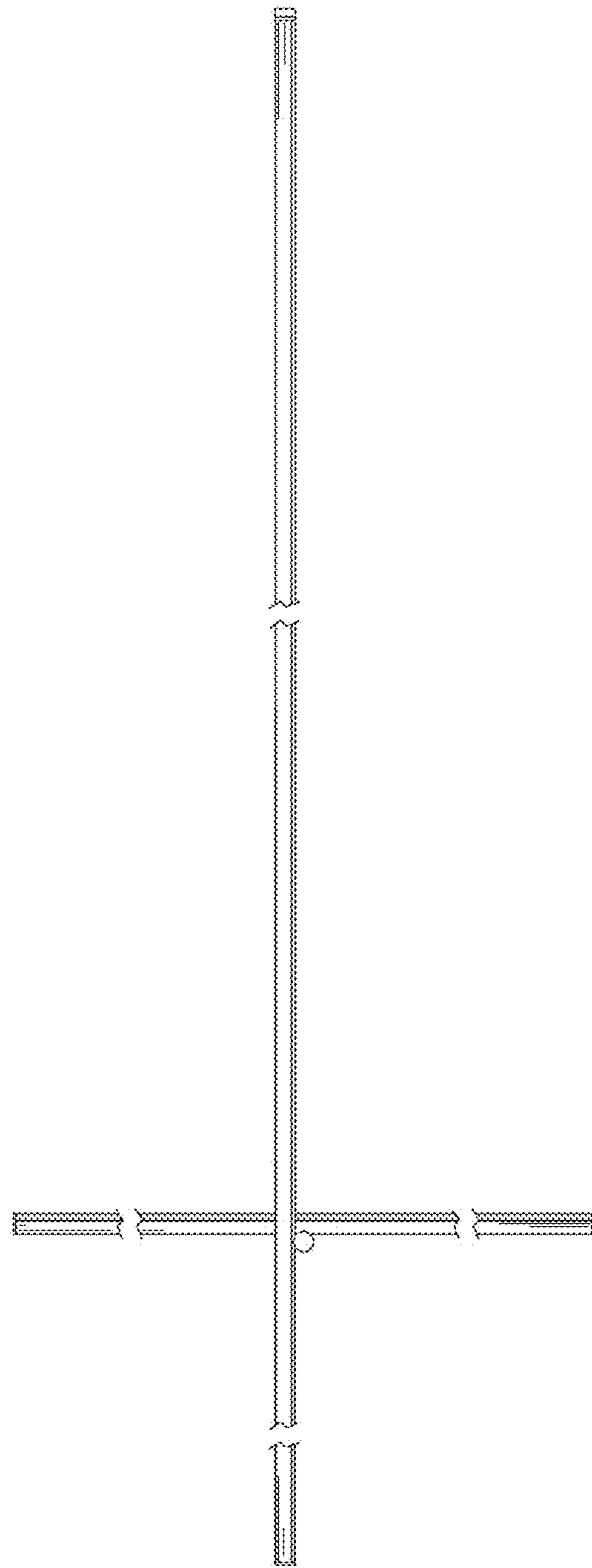
1.3



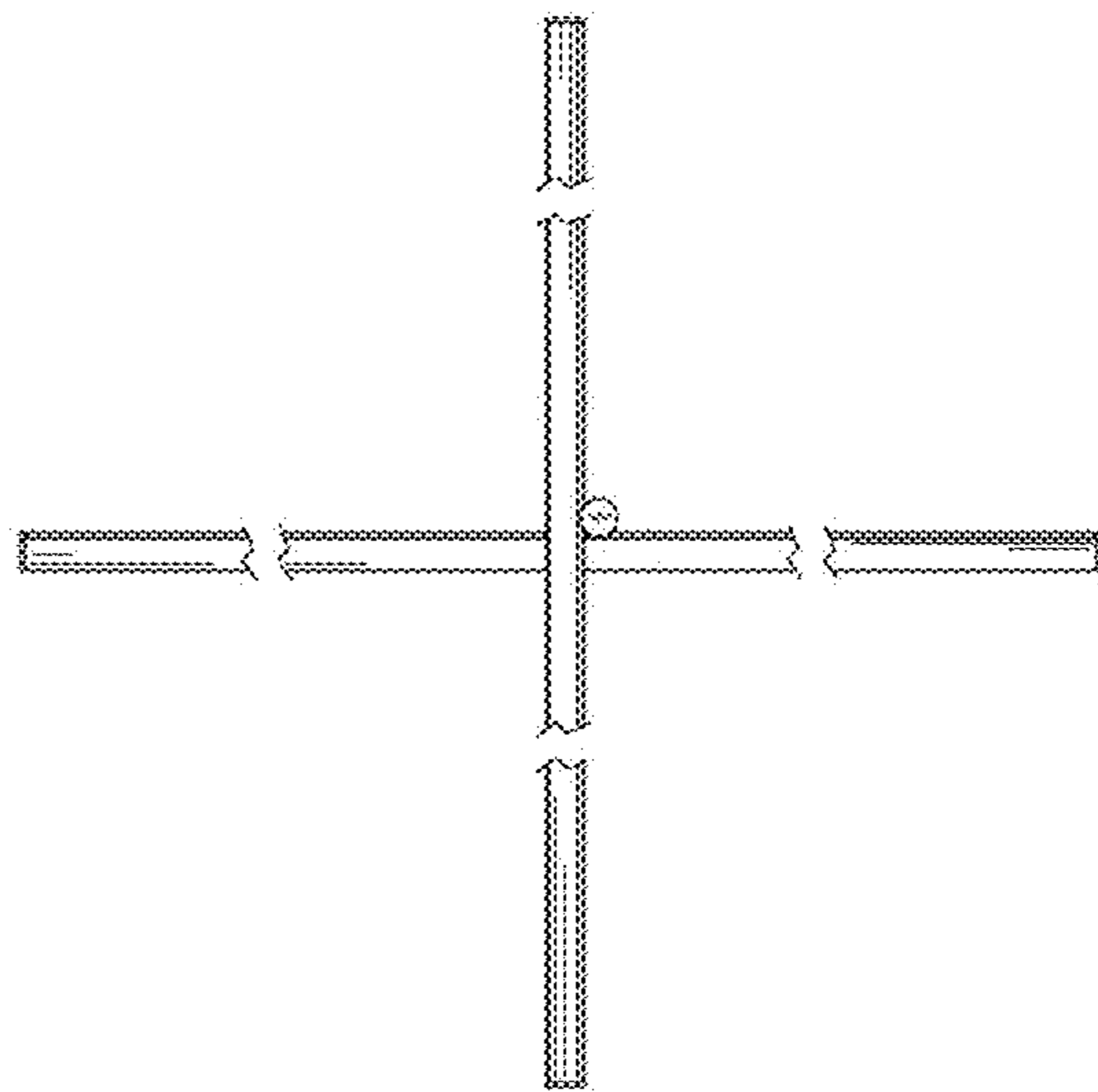
1.4



1.5



1.6





1.7

