



US00D905895S

(12) **United States Design Patent**  
**Johnson**

(10) **Patent No.:** **US D905,895 S**  
(45) **Date of Patent:** **\*\* Dec. 22, 2020**

(54) **CIRCULAR LIGHT**

(71) Applicant: **London Johnson, Inc.**, Dallas, TX  
(US)

(72) Inventor: **Brian P. Johnson**, Dallas, TX (US)

(73) Assignee: **London Johnson, Inc.**, Dallas, TX  
(US)

(\*\*) Term: **15 Years**

(21) Appl. No.: **29/674,671**

(22) Filed: **Dec. 22, 2018**

**Related U.S. Application Data**

(62) Division of application No. 29/659,271, filed on Aug. 7, 2018, now Pat. No. Des. 841,222, which is a division of application No. 29/573,376, filed on Aug. 4, 2016, now Pat. No. Des. 828,606.

(51) **LOC (12) Cl.** ..... **26-03**

(52) **U.S. Cl.**  
USPC ..... **D26/89**

(58) **Field of Classification Search**  
USPC ..... D26/25, 72, 76, 80, 85, 89  
CPC .... F21S 8/03; F21S 8/033; F21S 8/036; F21S 8/037; F21S 9/022; F21S 9/024; F21S 9/03; F21S 9/035; F21S 9/037; F21W 2131/107; G08B 13/193; F21V 23/023  
See application file for complete search history.

(56) **References Cited**

**U.S. PATENT DOCUMENTS**

1,561,554 A 11/1925 Little  
D381,450 S \* 7/1997 Sonneman ..... D26/72  
D443,713 S 6/2001 Benensohn  
D482,486 S \* 11/2003 Demers ..... D26/72  
D484,270 S 12/2003 Yiu  
D544,117 S 6/2007 Coushaine  
D544,618 S 6/2007 Coushaine

D561,925 S 2/2008 Levine  
D567,987 S \* 4/2008 Khubani ..... D26/85  
D581,081 S 11/2008 Mier-Langner  
D603,997 S \* 11/2009 Shiu ..... D26/72  
D607,600 S \* 1/2010 Keith ..... D26/85  
D773,102 S 11/2016 Meise  
D828,606 S 9/2018 Johnson  
D831,268 S 10/2018 Johnson  
D840,575 S \* 2/2019 Dyck ..... D26/72  
D841,222 S \* 2/2019 Johnson ..... D26/89  
2006/0250789 A1 11/2006 Coushaine  
2007/0047224 A1 3/2007 Lee  
2008/0247160 A1 10/2008 Jiang

(Continued)

**OTHER PUBLICATIONS**

Brilliant Evolution LED White Puck Light (3-Pack) No. BRRC 133 found at homedepot.com visited Feb. 5, 2018 (Year: 2018).

(Continued)

*Primary Examiner* — Clare E Heflin

(74) *Attorney, Agent, or Firm* — Perkins Coie LLP

(57) **CLAIM**

The ornamental design for a circular light, as shown and described.

**DESCRIPTION**

FIG. 1 is a perspective view of a circular light showing my design, as viewed from the top and front.

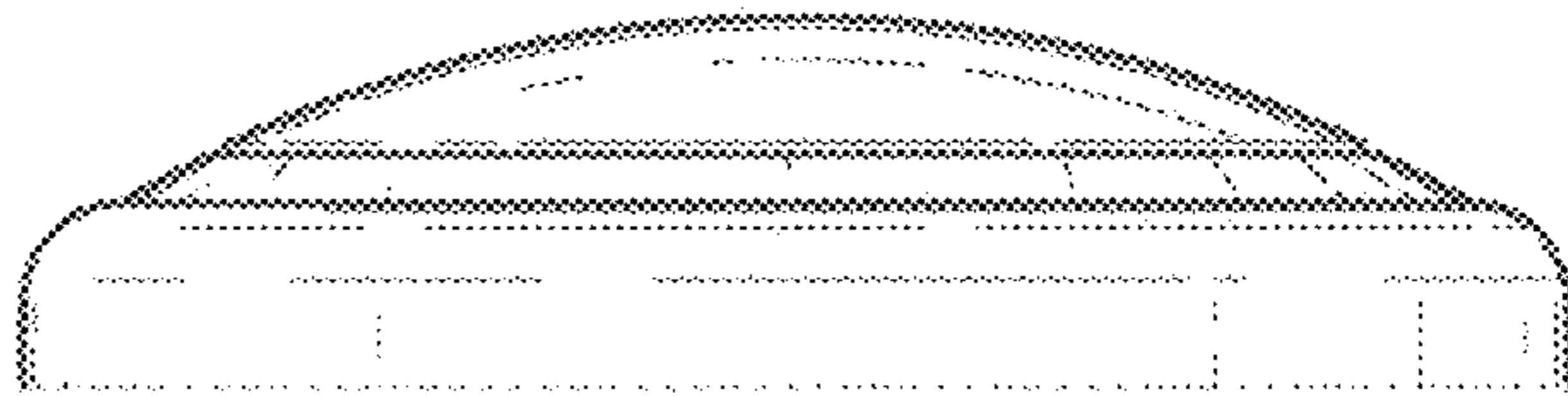
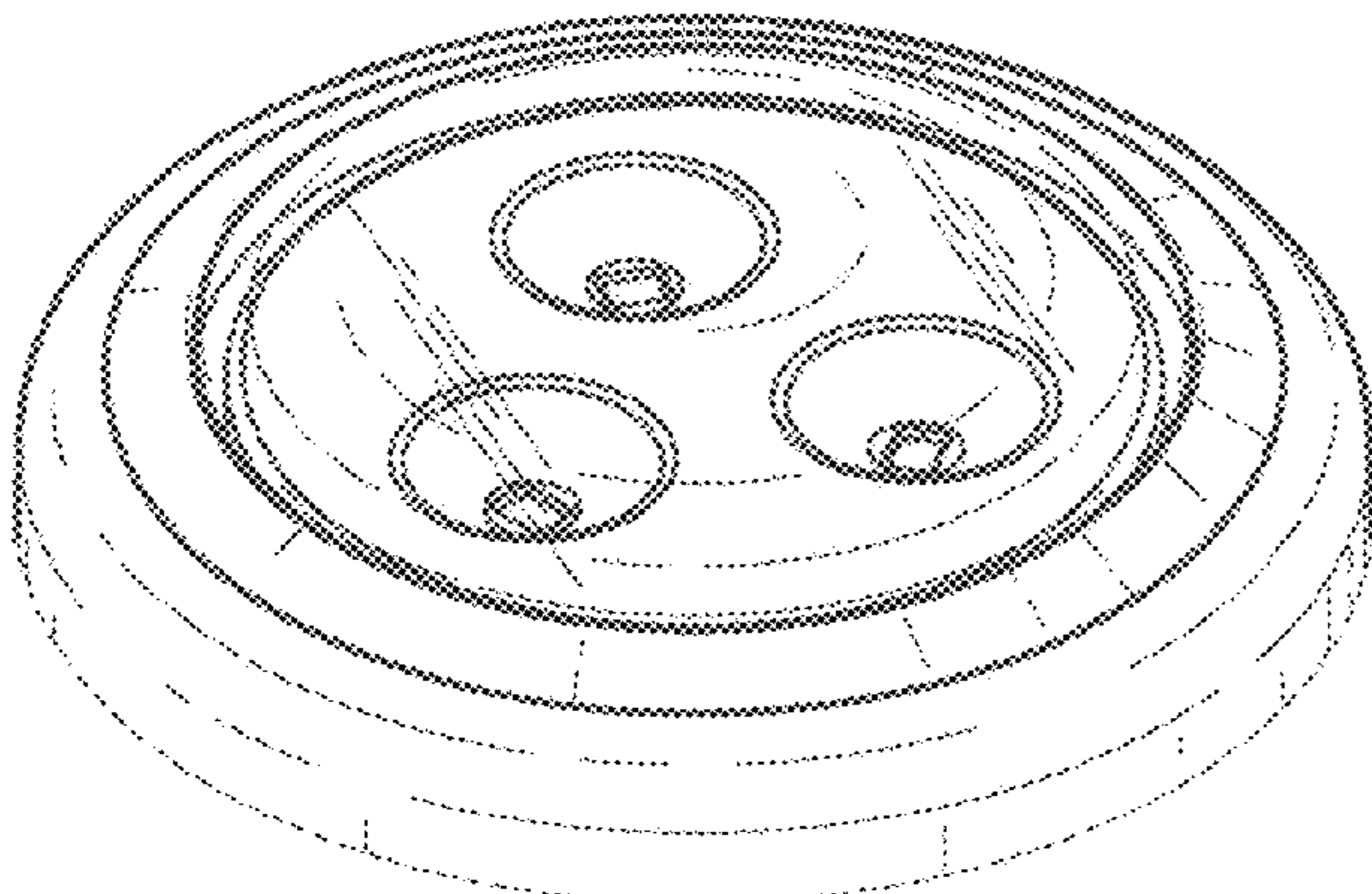
FIG. 2 is a front profile view of the circular light showing my design. The back profile view, the first side profile, and the second side profile view of the circular light showing my design are the same as the front profile view of the circular light showing my design.

FIG. 3 is a top plan view thereof; and,

FIG. 4 is a bottom plan view thereof.

The details shown in broken lines illustrate features that form no part of the claimed design.

**1 Claim, 2 Drawing Sheets**



(56)

**References Cited**

U.S. PATENT DOCUMENTS

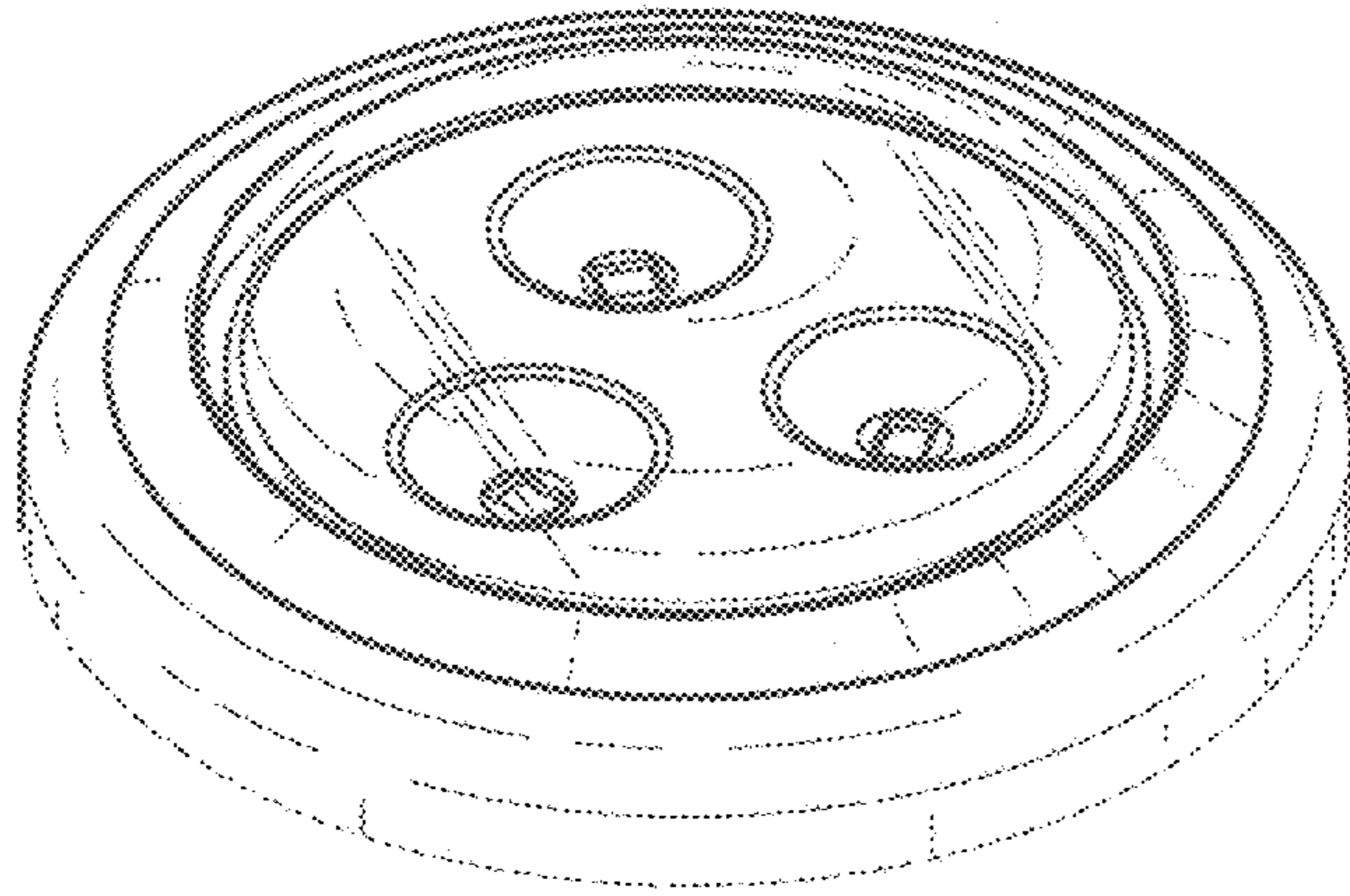
2009/0059576 A1 3/2009 Coushaine et al.  
2009/0086474 A1 4/2009 Chou  
2009/0097238 A1 4/2009 Cousaine et al.  
2009/0279298 A1 11/2009 Mier-Langner et al.  
2011/0128723 A1 6/2011 Coleman et al.  
2011/0255274 A1 10/2011 Coleman et al.  
2014/0313700 A1 10/2014 Connell et al.  
2017/0248291 A1 8/2017 Hsu  
2018/0010777 A1\* 1/2018 Wills ..... F21V 23/002  
2020/0091746 A1\* 3/2020 Chien ..... F21V 23/023  
2020/0159299 A1\* 5/2020 Cheng ..... H02J 7/00043

OTHER PUBLICATIONS

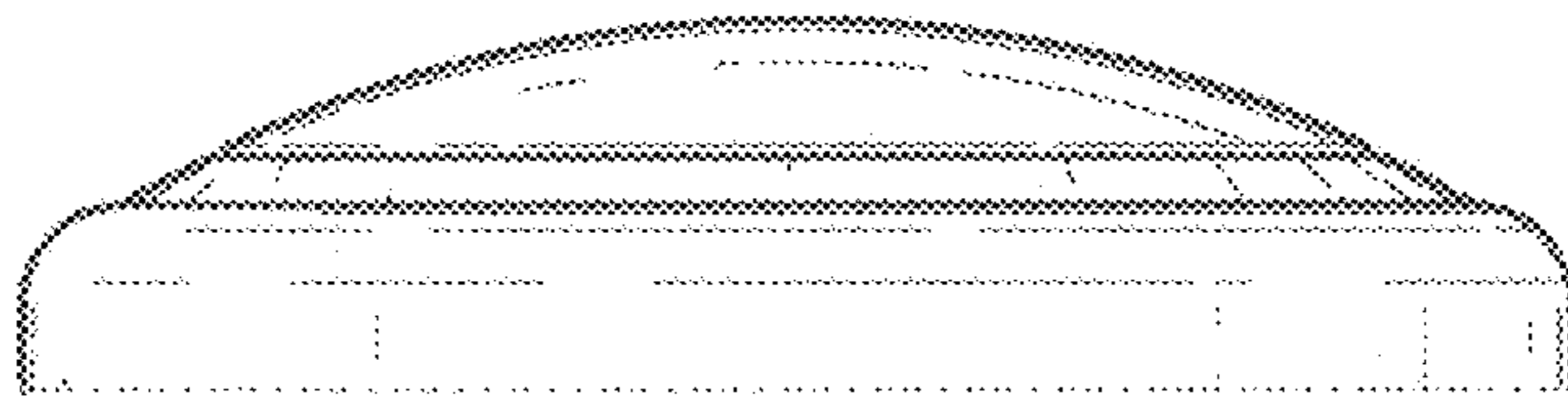
Commercial Electric 2.99 in. LED White Battery Operated Puck Light (3-Pack), Model No. BA002 WH, found at homedepot.com, visited Feb. 5, 2018, (Year: 2018).

Under Cabinet Puck Light—Lighting Avenue SKU: UHD285-UGE1049 by Nu Lighting and Living, found at nulighting.com.au, visited Feb. 20, 2018, (Year: 2018).

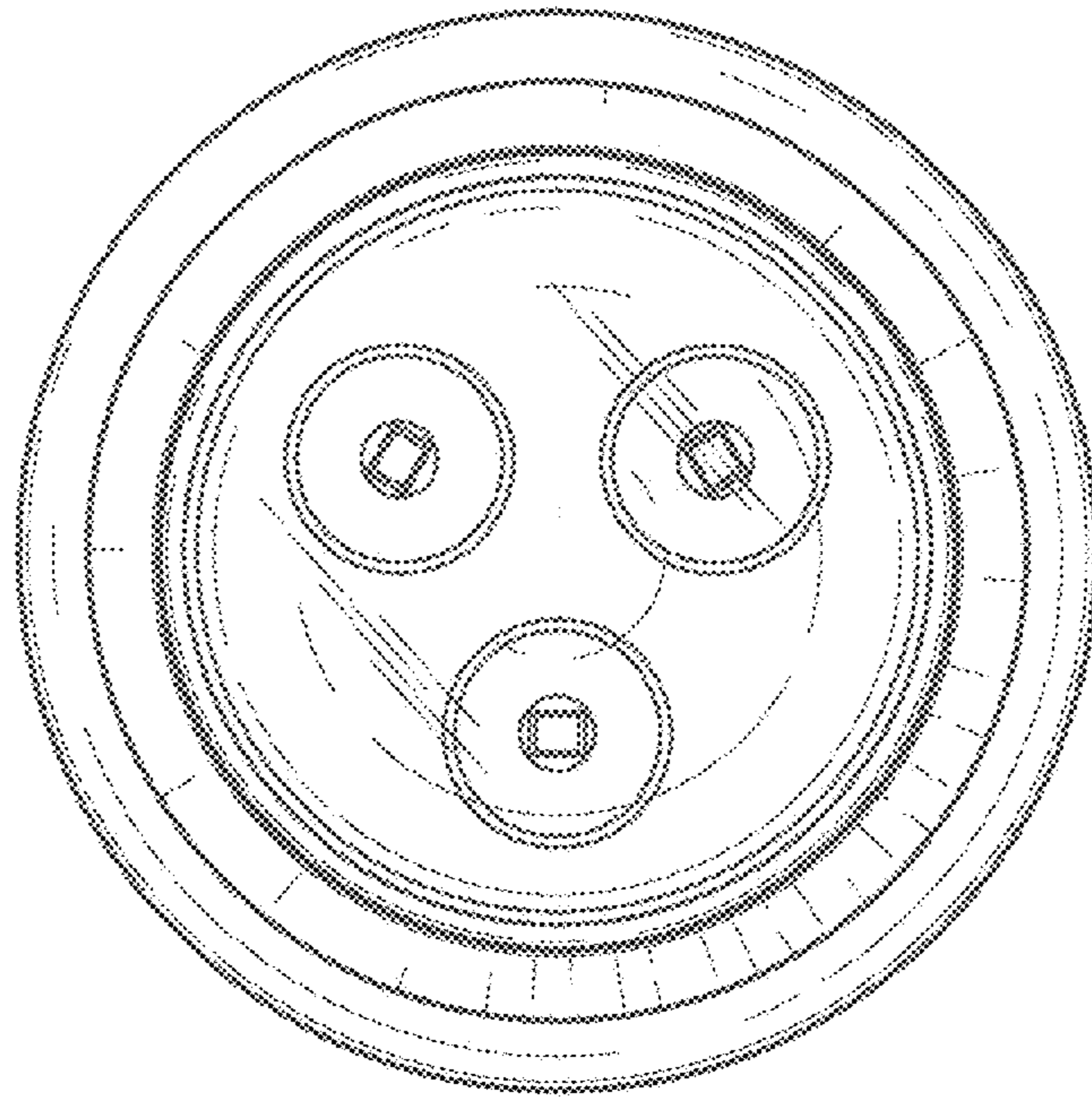
\* cited by examiner



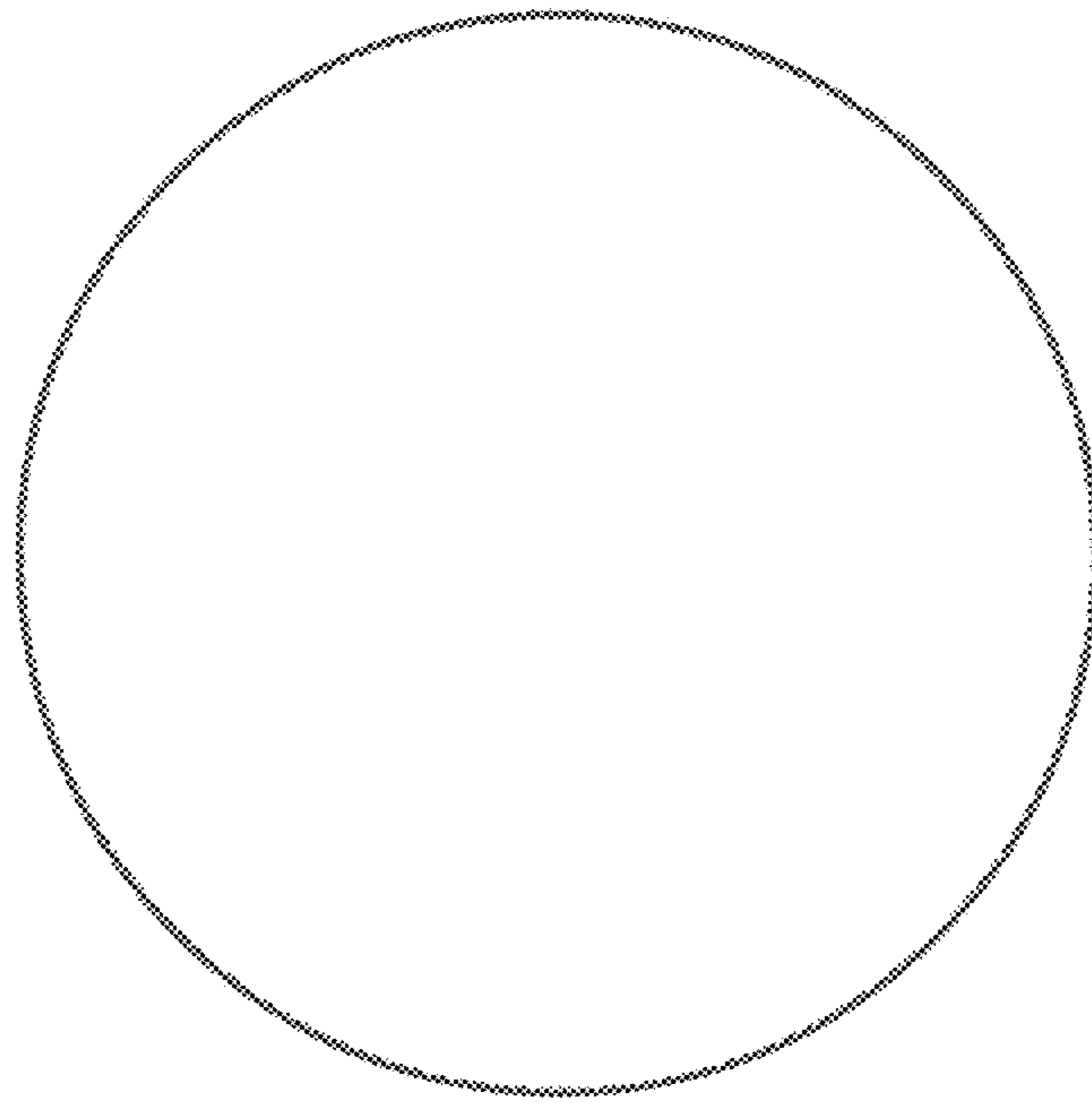
*Fig. 1*



*Fig. 2*



*Fig. 3*



*Fig. 4*