



US00D905894S

(12) **United States Design Patent**  
**Chen**

(10) **Patent No.:** **US D905,894 S**

(45) **Date of Patent:** **\*\* Dec. 22, 2020**

- (54) **MINING LAMP**
- (71) Applicant: **Xiamen Konshine Lighting Electron Co., Ltd., Fujian (CN)**
- (72) Inventor: **Houlin Chen, Fujian (CN)**
- (73) Assignee: **Xiamen Konshine Lighting Electron Co., Ltd., Fujian (CN)**

- (\*\*) Term: **15 Years**
- (21) Appl. No.: **29/691,772**
- (22) Filed: **May 20, 2019**

- (30) **Foreign Application Priority Data**  
Apr. 8, 2019 (CN) ..... 2019 3 0154170
- (51) **LOC (12) Cl.** ..... **26-05**
- (52) **U.S. Cl.**  
USPC ..... **D26/88**
- (58) **Field of Classification Search**  
USPC ..... D26/24, 63, 71, 72, 74, 75-78, 80-92,  
D26/118-120, 122, 131, 142, 149;  
D13/134; D10/111-115  
CPC ..... F21V 23/003; F21V 23/023; F21V 29/71;  
F21V 29/713; F21V 29/717; F21V 29/73;  
F21V 29/74; F21V 29/745; F21V 29/75;  
F21V 29/76; F21V 1/02; F21V 5/00;  
F21Y 2115/10; F21S 8/02; F21S 8/04;  
F21S 8/026; F21S 8/033; F21S 8/036;  
F21S 8/086; F21S 9/03; F21S 9/037  
See application file for complete search history.

- (56) **References Cited**  
**U.S. PATENT DOCUMENTS**  
2,674,682 A \* 4/1954 Hanson ..... A01M 1/04  
219/473  
D260,803 S \* 9/1981 Hall ..... D22/120

4,345,178 A *	8/1982	Pappas	.....	H01J 5/48	313/113
D539,935 S *	4/2007	Mama	.....	D26/2	
D540,958 S *	4/2007	Mama	.....	D26/2	
D663,051 S *	7/2012	Xu	.....	D26/2	
D718,485 S *	11/2014	Wright	.....	D26/89	
D861,958 S *	10/2019	Winters	.....	D26/89	
D868,333 S *	11/2019	Li	.....	D26/72	
2017/0146225 A1 *	5/2017	Chien	.....	F21V 29/77	

**OTHER PUBLICATIONS**

Roseto QZWS3885 (availalbe online) Retrieved from the internet Sep. 14, 2020 from URL: <https://www.build.com/roseto-qzws3885/s1670382?uid=3951267>.\*

(Continued)

*Primary Examiner* — Kevin K Rudzinski  
*Assistant Examiner* — Richard Kearney  
(74) *Attorney, Agent, or Firm* — JCIP Global Inc.

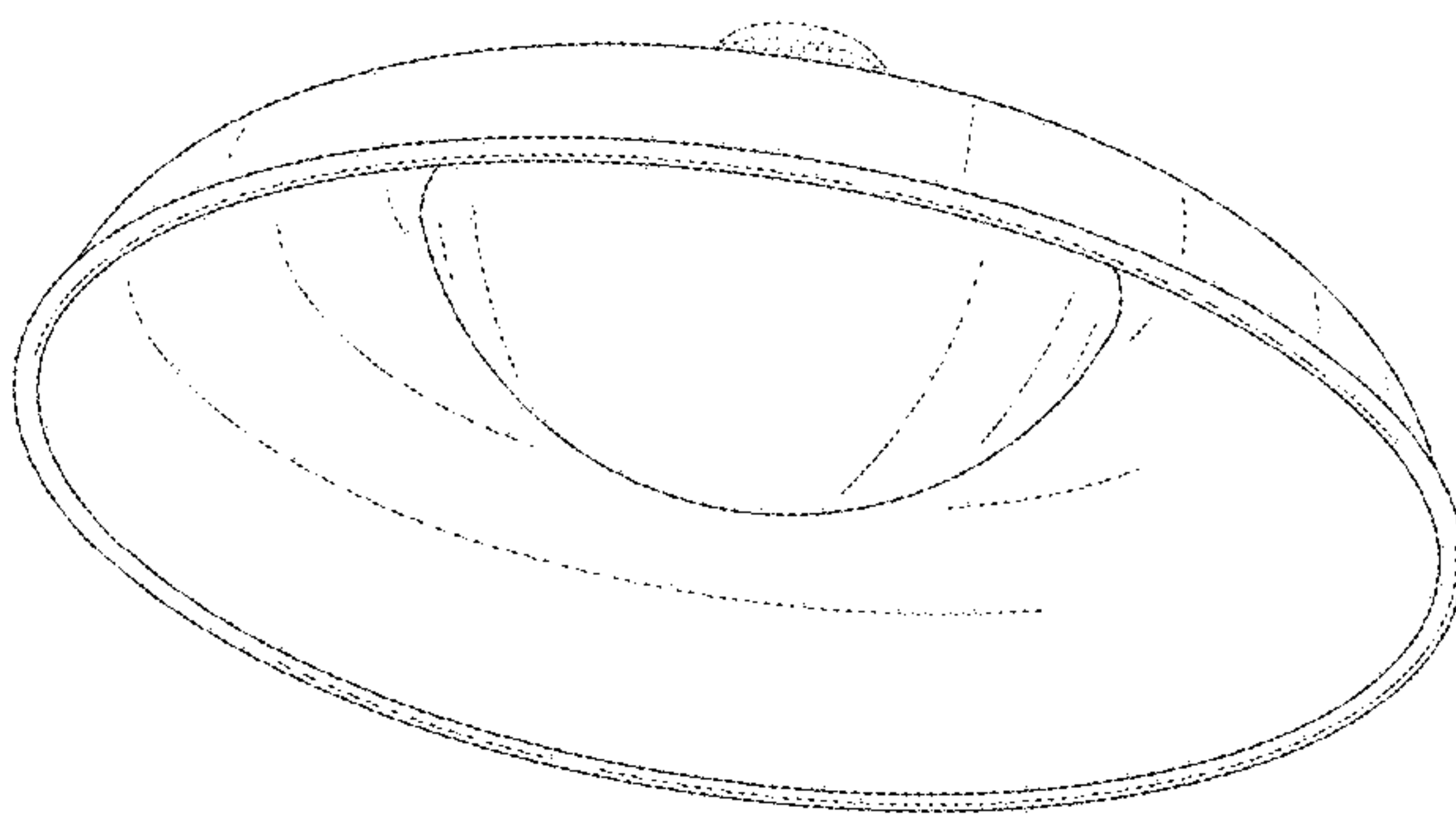
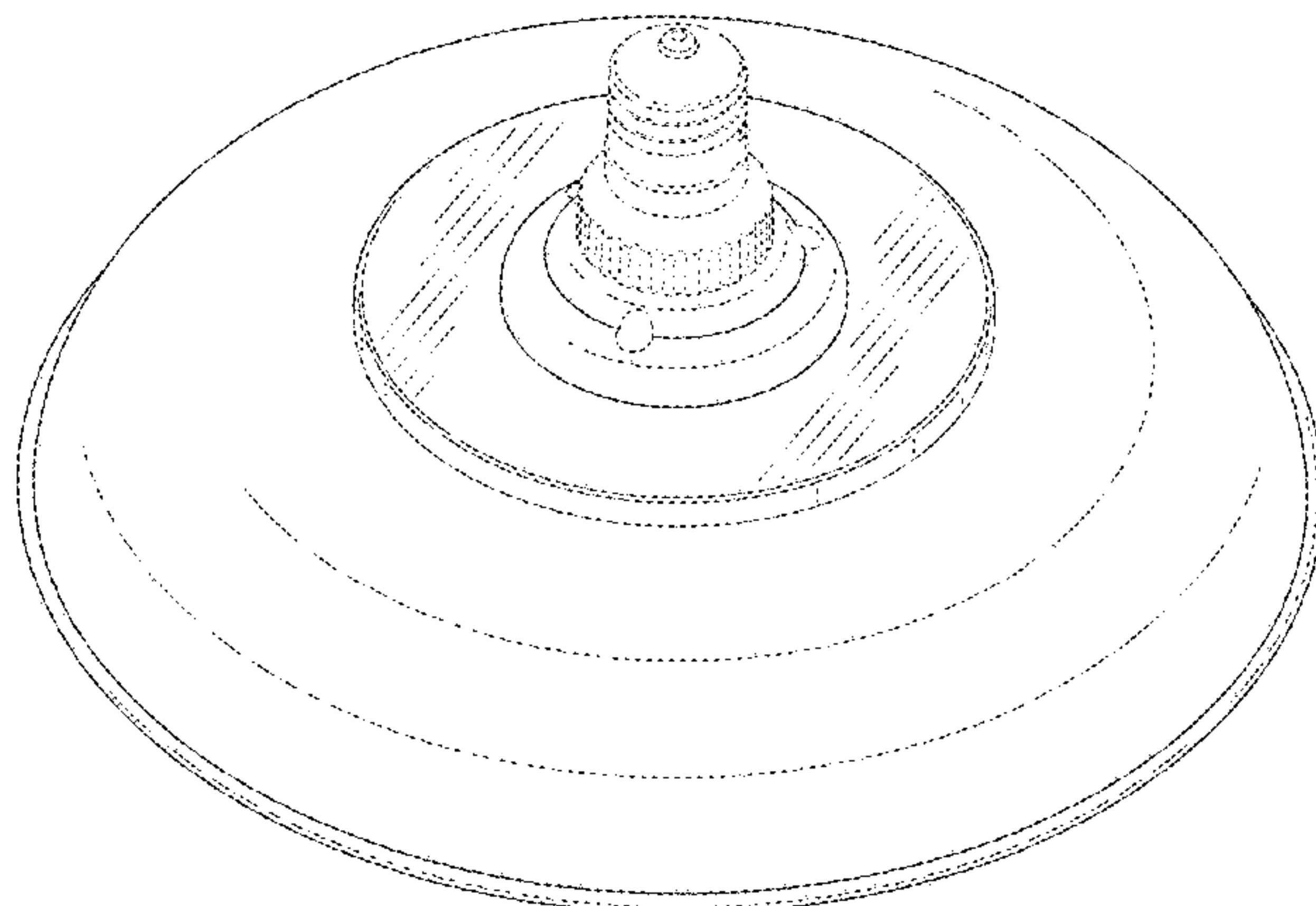
(57) **CLAIM**

The ornamental design for a mining lamp, as shown and described.

**DESCRIPTION**

FIG. 1 is a perspective view of a mining lamp showing my new design;  
FIG. 2 is another perspective view thereof;  
FIG. 3 is a front view thereof;  
FIG. 4 is a rear view thereof;  
FIG. 5 is a left side view thereof;  
FIG. 6 is a right side view thereof;  
FIG. 7 is a top view thereof;  
FIG. 8 is a bottom view thereof; and,  
FIG. 9 is a cross-sectional view taken along line 9-9 in FIG. 6.  
The dashed broken lines illustrate portions of the mining lamp and form no part of the claimed design.

**1 Claim, 7 Drawing Sheets**



(56)

**References Cited**

OTHER PUBLICATIONS

Kichler 49981 (available online) Retrieved from the internet Sep. 14, 2020 from URL: <https://www.build.com/kichler-49981/s1422298?uid=3344818>.\*

Mining lamp,circular,sliver,indoor,50W (available online) Retrieved from the internet Sep. 15, 2020 from URL: <https://en.jiagle.com/lighting-products/Mining-lamp-circular-sliver-indoor-50W-1079152.html>.\*

30w LED Warehouse Bay Light (available online) Retrieved from the internet Sep. 15, 2020 from URL: <https://www.powersavelighting.co.uk/indoor-lighting/197-30w-6400k-daylight-led-warehouse-bay-nining-lamp-light-es-e27-edison-screw-cap.html>.\*

\* cited by examiner

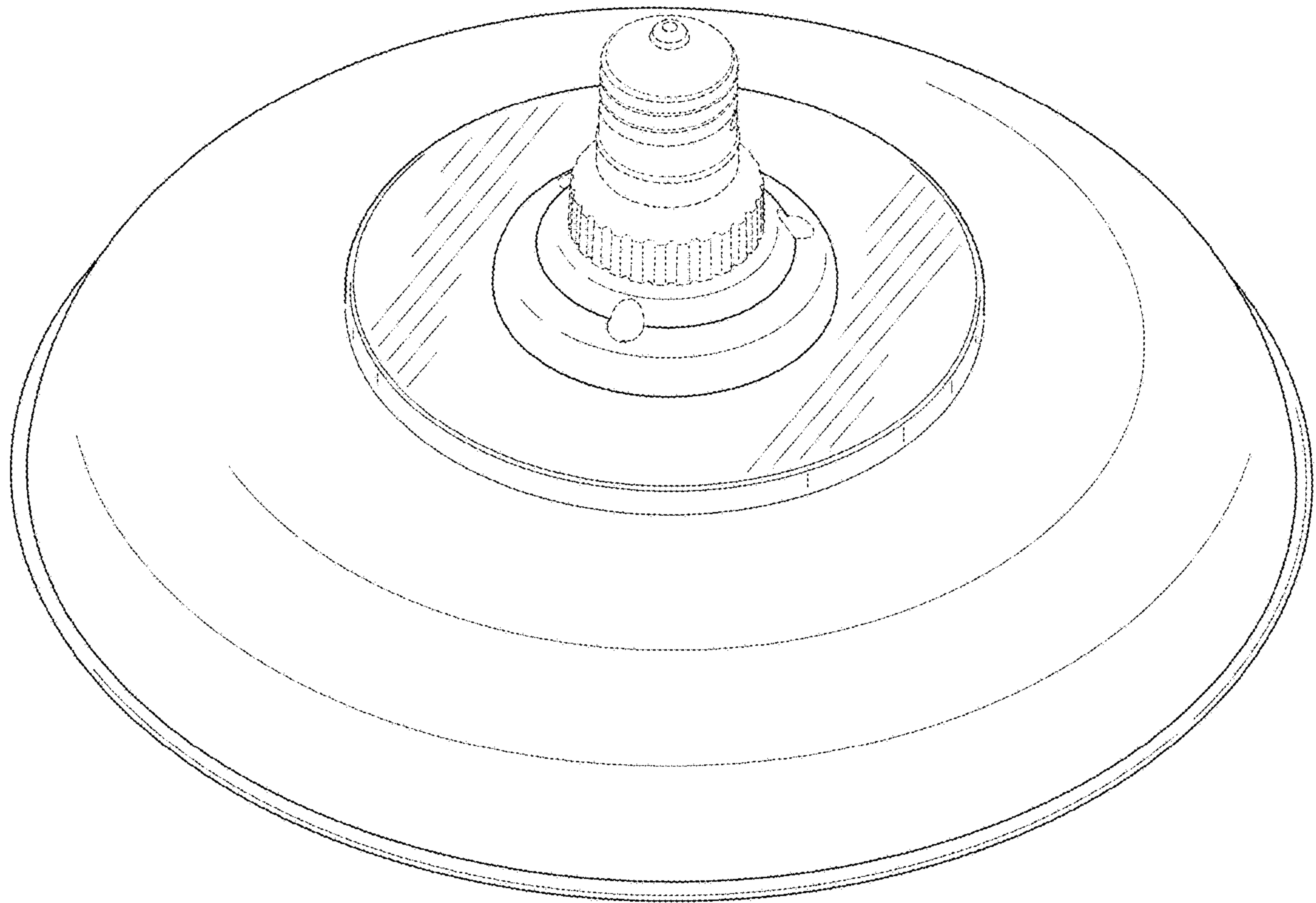


FIG. 1

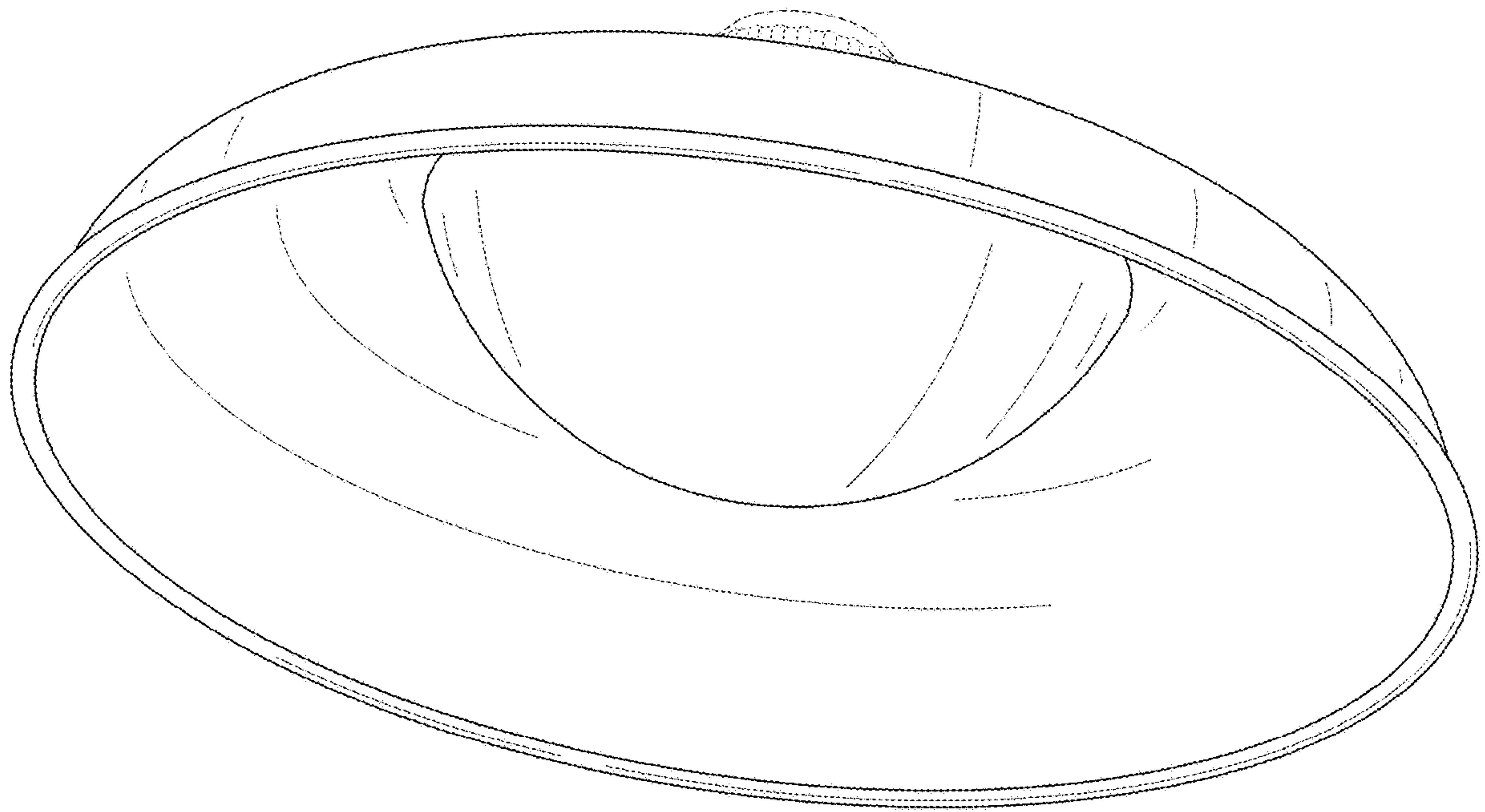


FIG. 2

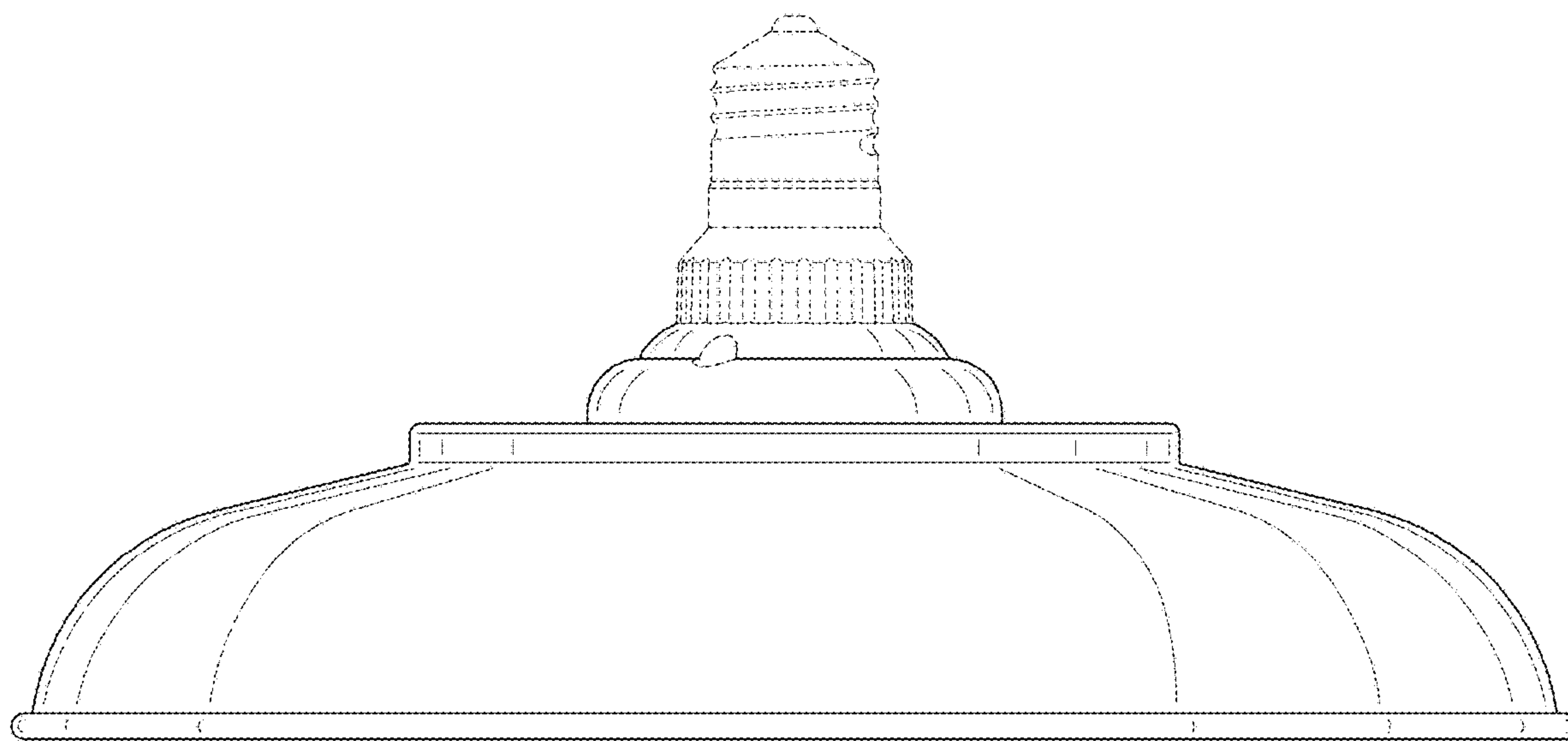


FIG. 3

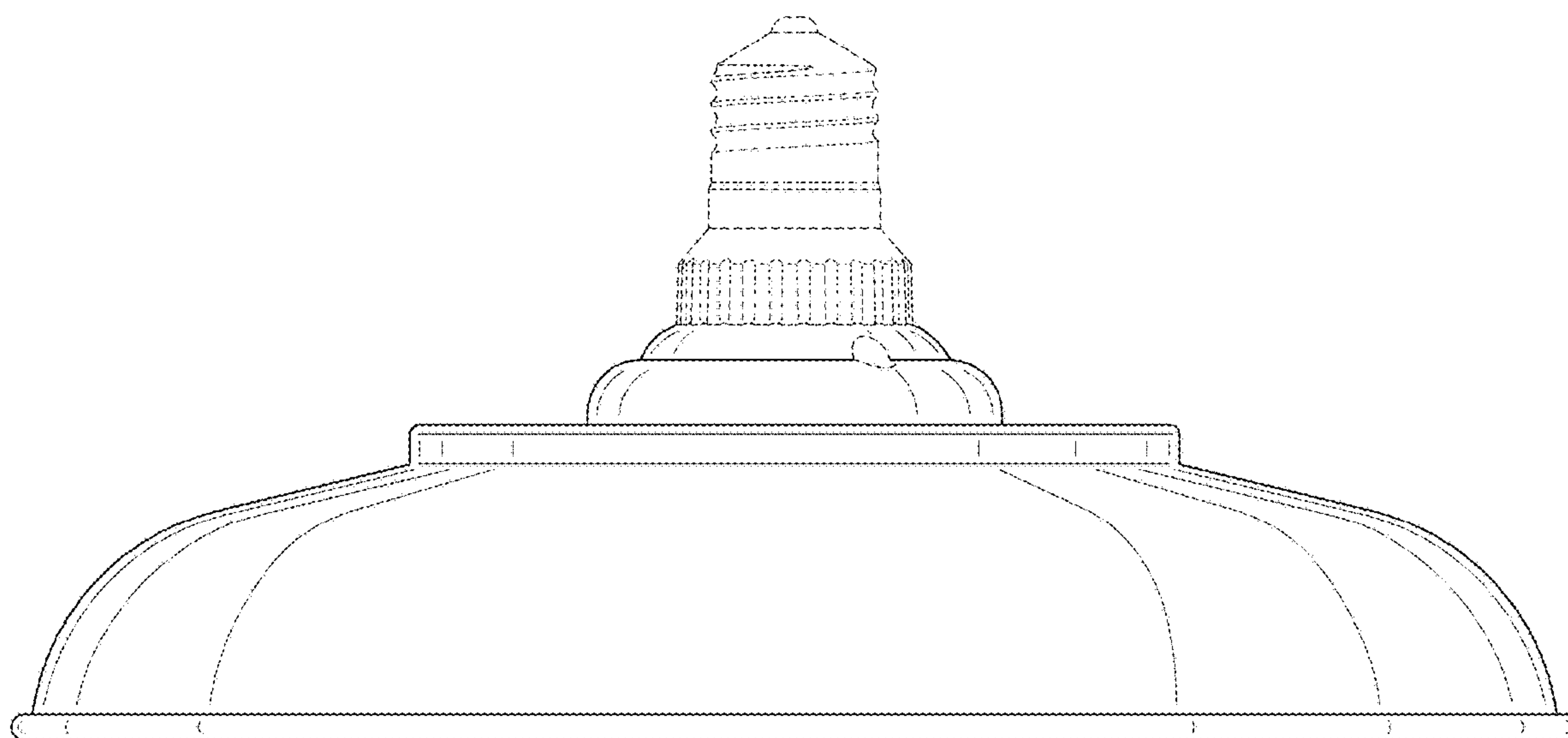


FIG. 4



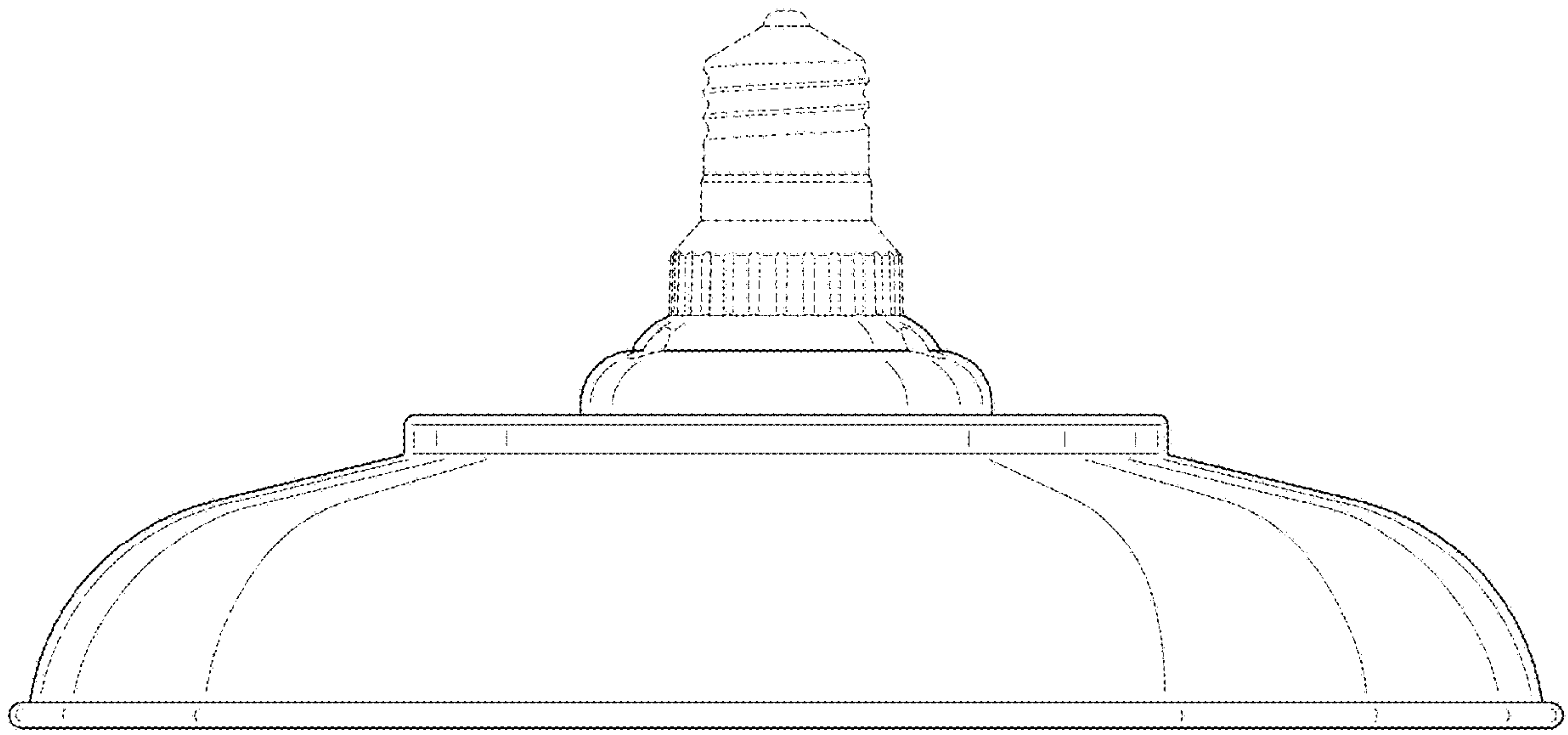


FIG. 5

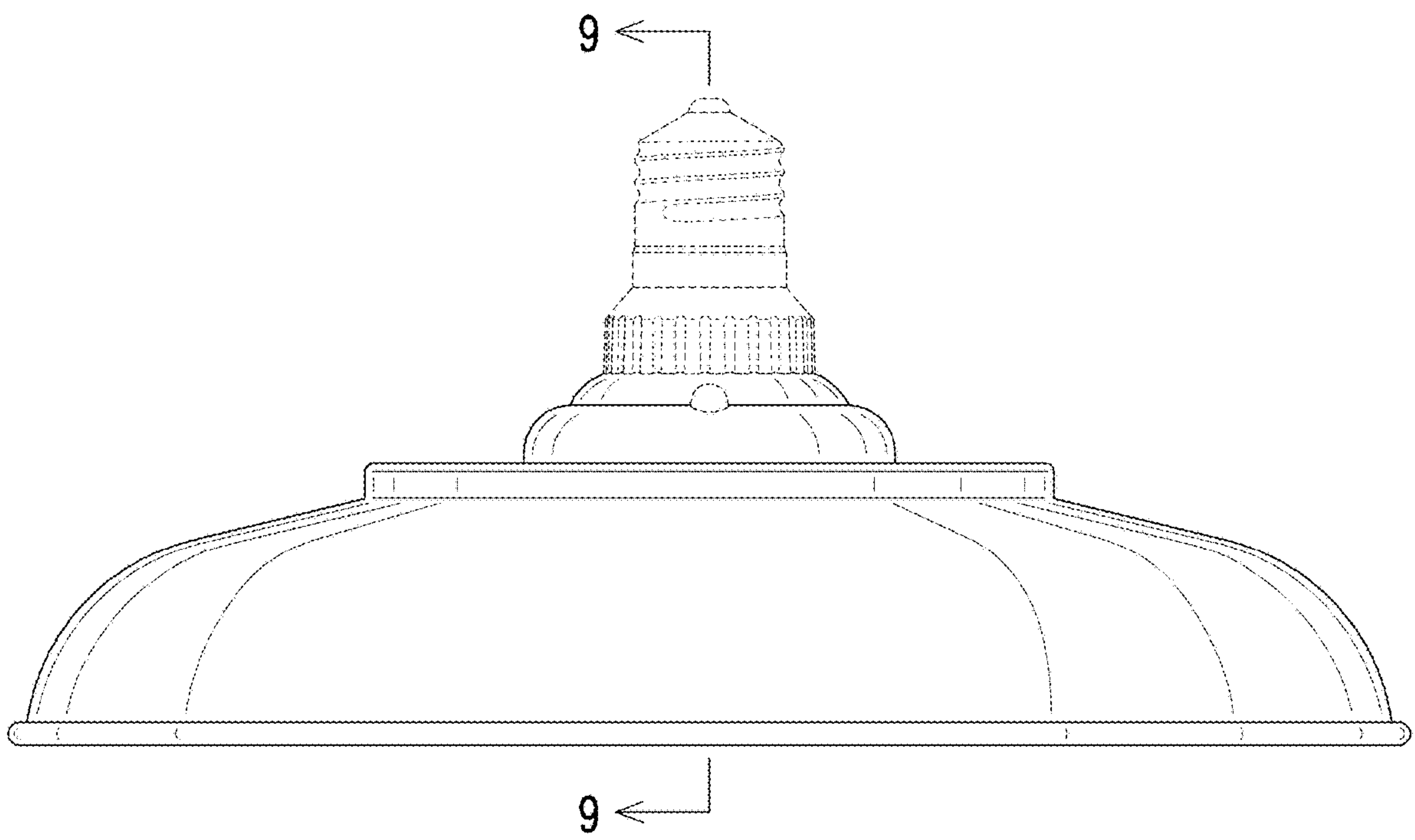


FIG. 6

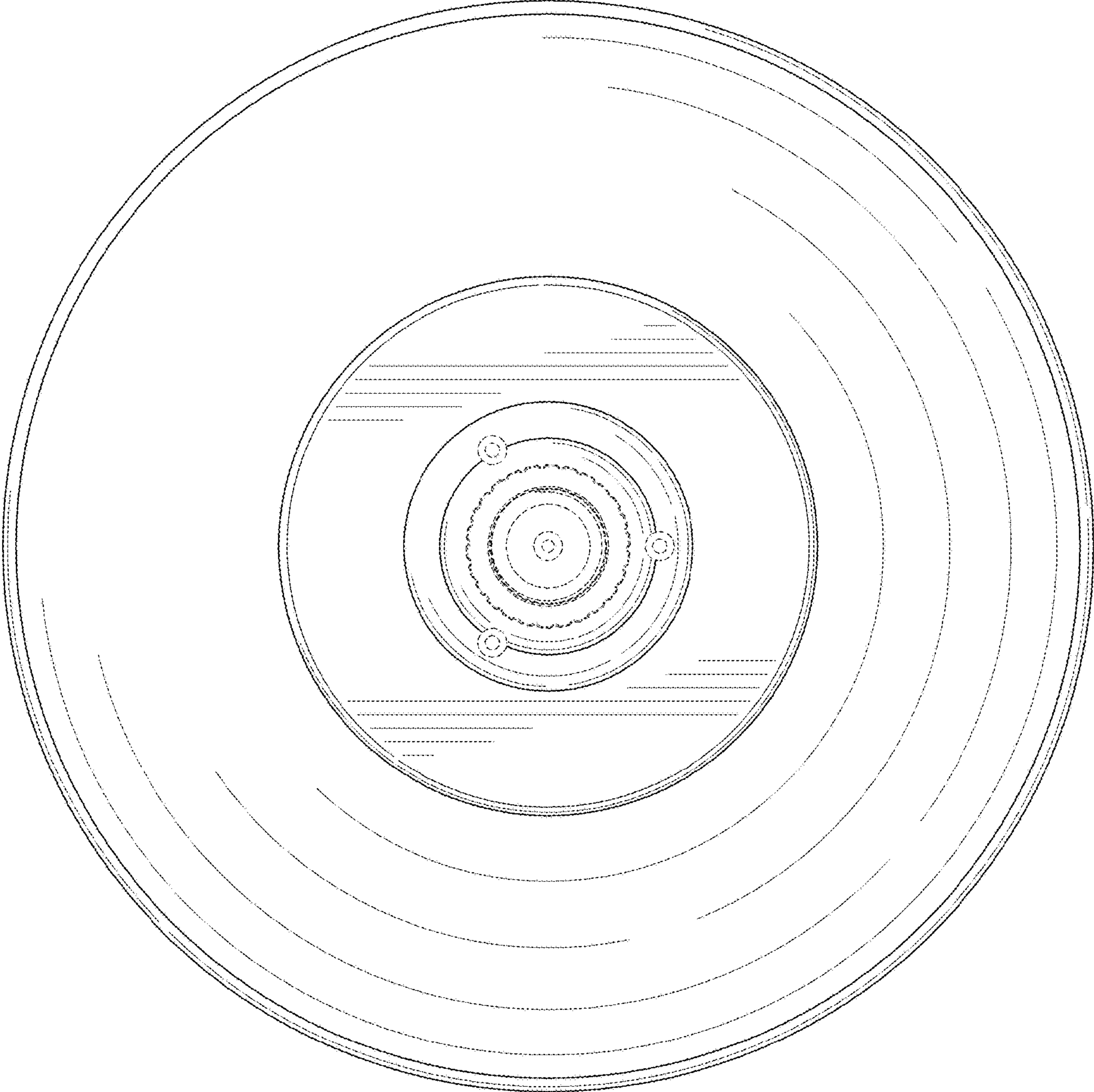


FIG. 7

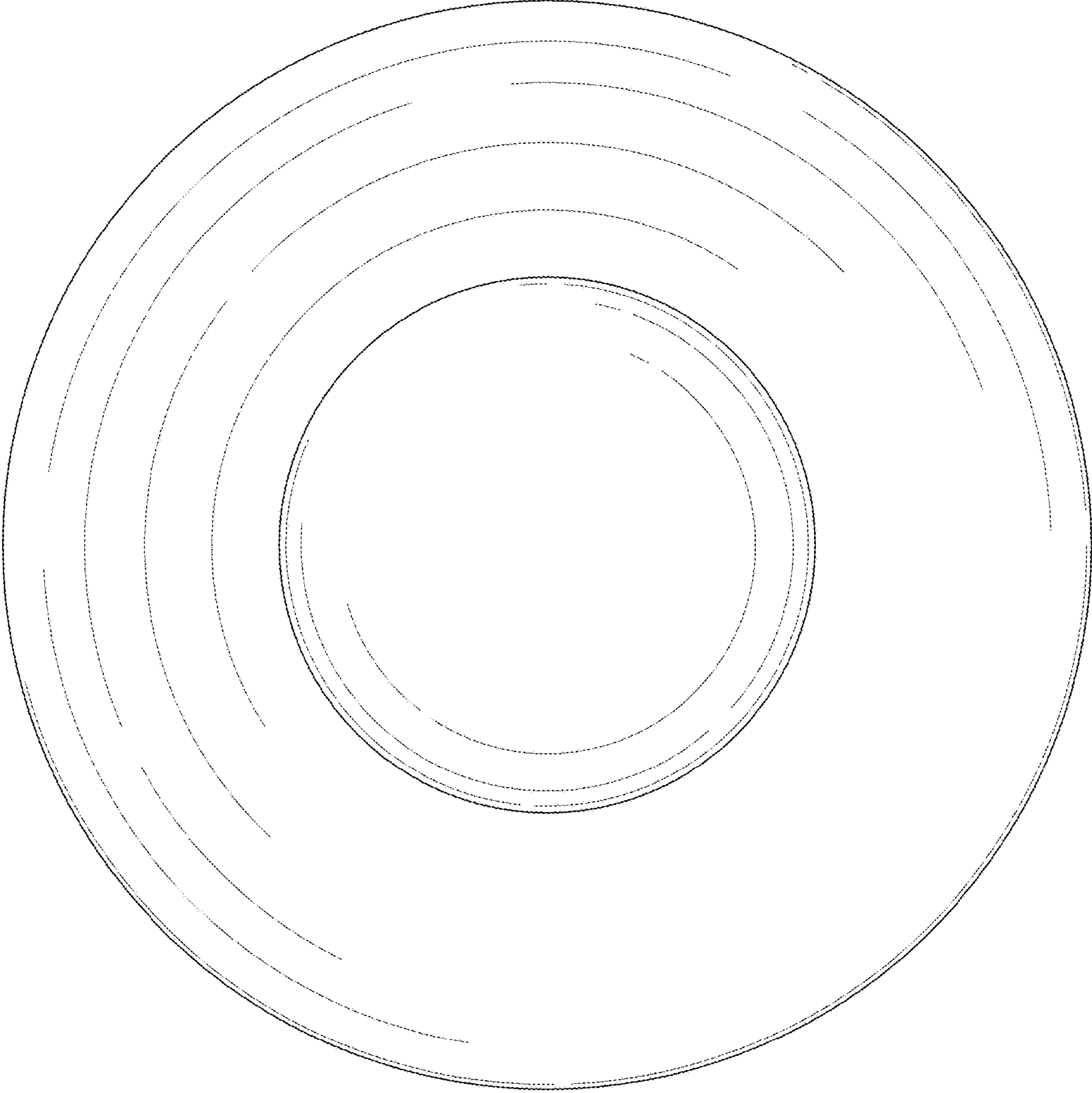


FIG. 8



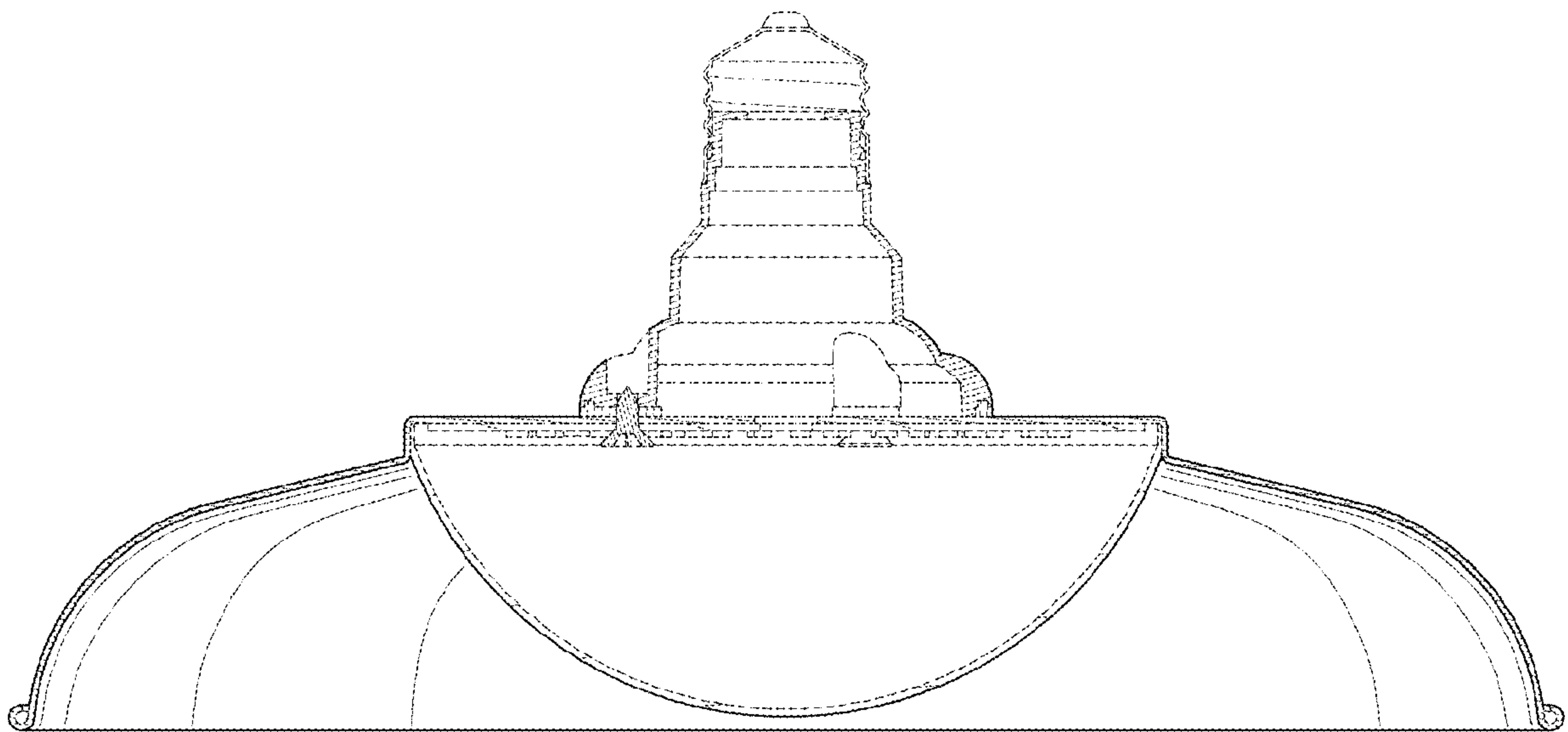


FIG. 9