



US00D905890S

(12) **United States Design Patent** (10) **Patent No.:** **US D905,890 S**  
**Liu** (45) **Date of Patent:** **\*\* Dec. 22, 2020**

(54) **SOLAR LAMP**  
(71) Applicant: **Shenzhen Ennoplus Technology Co., Ltd.**, Shenzhen (CN)  
(72) Inventor: **Hangyu Liu**, Shenzhen (CN)  
(73) Assignee: **SHENZHEN ENNOPLUS TECHNOLOGY CO., LTD.**, Shenzhen (CN)  
(\*\*) Term: **15 Years**  
(21) Appl. No.: **29/678,248**  
(22) Filed: **Jan. 28, 2019**  
(51) **LOC (12) Cl.** ..... **26-05**  
(52) **U.S. Cl.**  
USPC ..... **D26/74**  
(58) **Field of Classification Search**  
USPC ..... D26/74, 72, 75, 76, 77, 78, 85, 88, 89, D26/118, 138, 141, 67, 70; 362/364, 362/365, 373, 145, 146, 147, 148, 150, 362/153, 153.1, 294, 296.01, 296.07, 362/296.08  
CPC ..... F21V 29/2262; F21V 7/06; F21V 21/044; F21V 21/047; F21V 29/2212; F21V 29/2225; F21V 29/2256; F21V 29/225; F21V 29/2268; F21Y 2111/002; F21S 8/02; F21S 8/026  
See application file for complete search history.

D832,487 S \* 10/2018 Sieczkowski ..... D26/89  
D850,697 S \* 6/2019 Wang ..... D26/74  
D851,807 S \* 6/2019 Wu ..... D26/85  
D854,218 S \* 7/2019 Coirier ..... D26/74  
D864,452 S \* 10/2019 Wei ..... D26/67  
D884,248 S \* 5/2020 Zhu ..... D26/67  
D885,631 S \* 5/2020 Li ..... D26/67  
D891,680 S \* 7/2020 Patel ..... D26/89

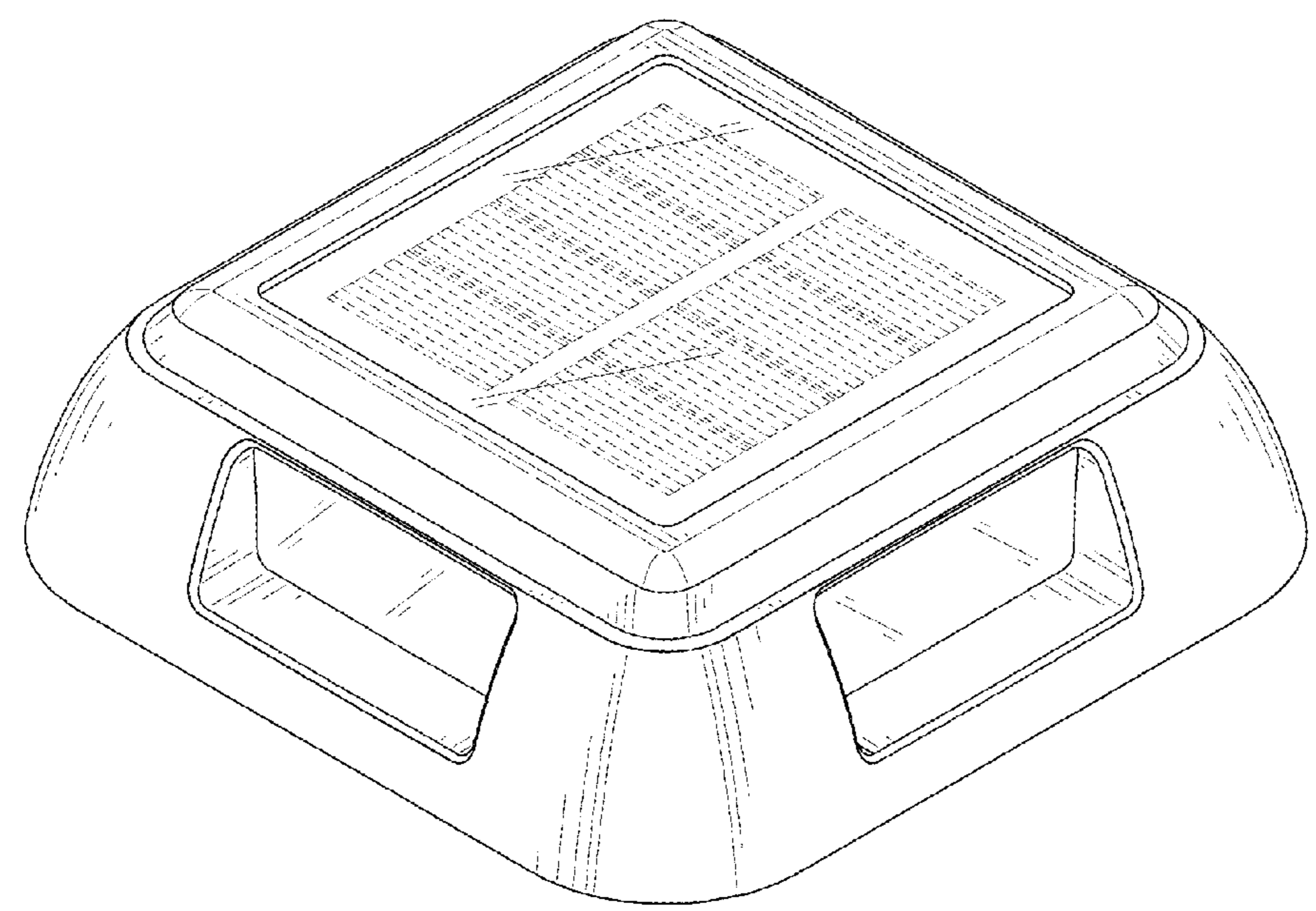
\* cited by examiner  
*Primary Examiner* — Angela J Lee

(57) **CLAIM**  
The ornamental design for a solar lamp, as shown and as described.

**DESCRIPTION**  
FIG. 1 is a first perspective view of a first embodiment of a solar lamp showing my new design;  
FIG. 2 is a second perspective view of the embodiment thereof;  
FIG. 3 is a front elevation view of the embodiment thereof;  
FIG. 4 is a rear elevation view of the embodiment thereof;  
FIG. 5 is a left side elevation view of the embodiment thereof;  
FIG. 6 is a right side elevation view of the embodiment thereof;  
FIG. 7 is a top plan view of the embodiment thereof;  
FIG. 8 is a bottom plan view of the embodiment thereof;  
and,  
FIG. 9 shows a perspective view of the solar lamp assembled with a supporting element in used, the supporting element shows an environment and forms no part of the claimed design.  
The broken lines in FIG. 1 through FIG. 9 illustrate environment and portions of the solar lamp which form no part of the claimed design.

(56) **References Cited**  
U.S. PATENT DOCUMENTS  
D668,374 S \* 10/2012 Wauters ..... D26/89  
D696,451 S \* 12/2013 Chen ..... D26/89  
D702,393 S \* 4/2014 Ansierowicz ..... D26/89  
D702,868 S \* 4/2014 Patel ..... D26/74  
D830,607 S \* 10/2018 Recker ..... D26/85

**1 Claim, 9 Drawing Sheets**



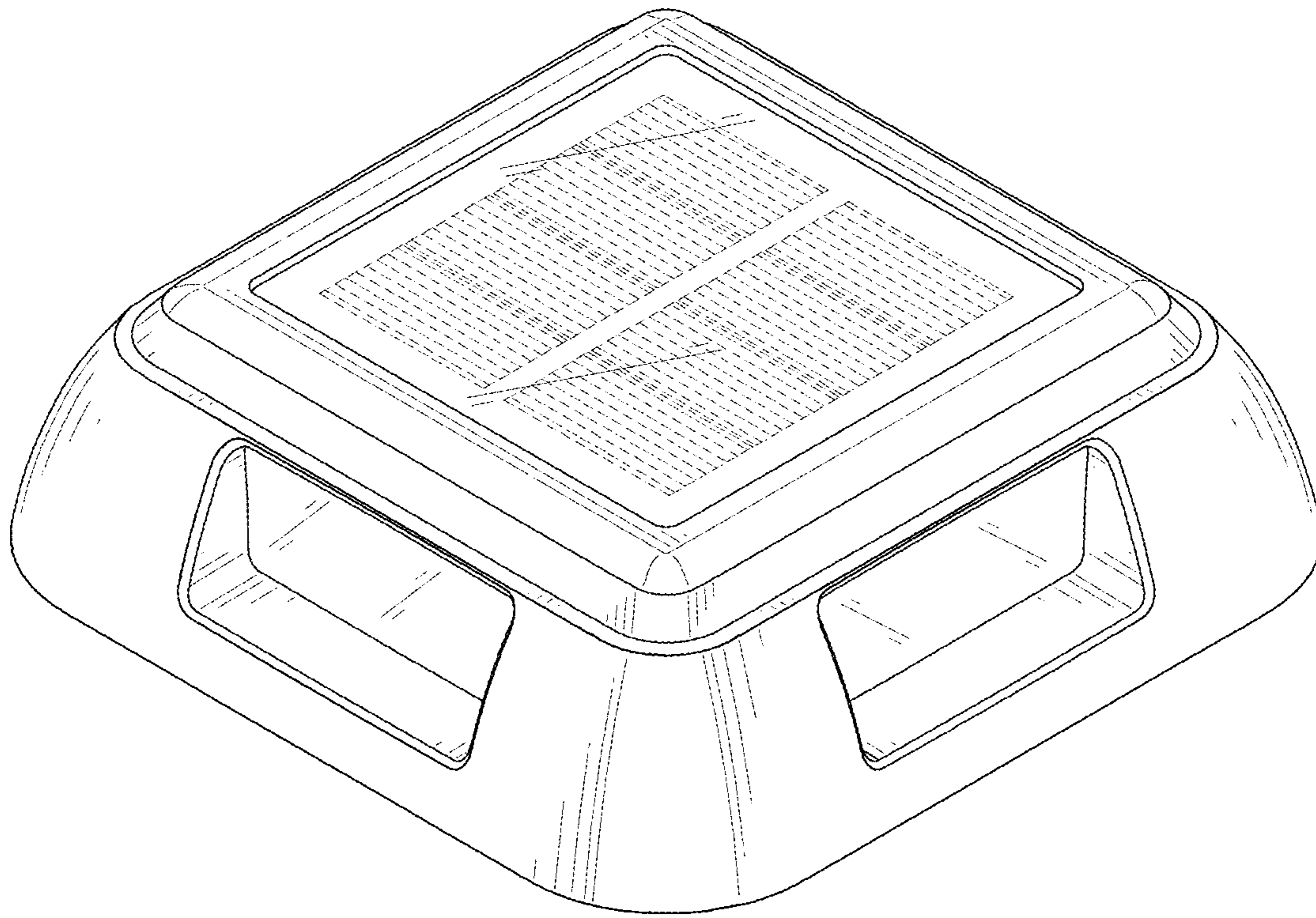


FIG. 1

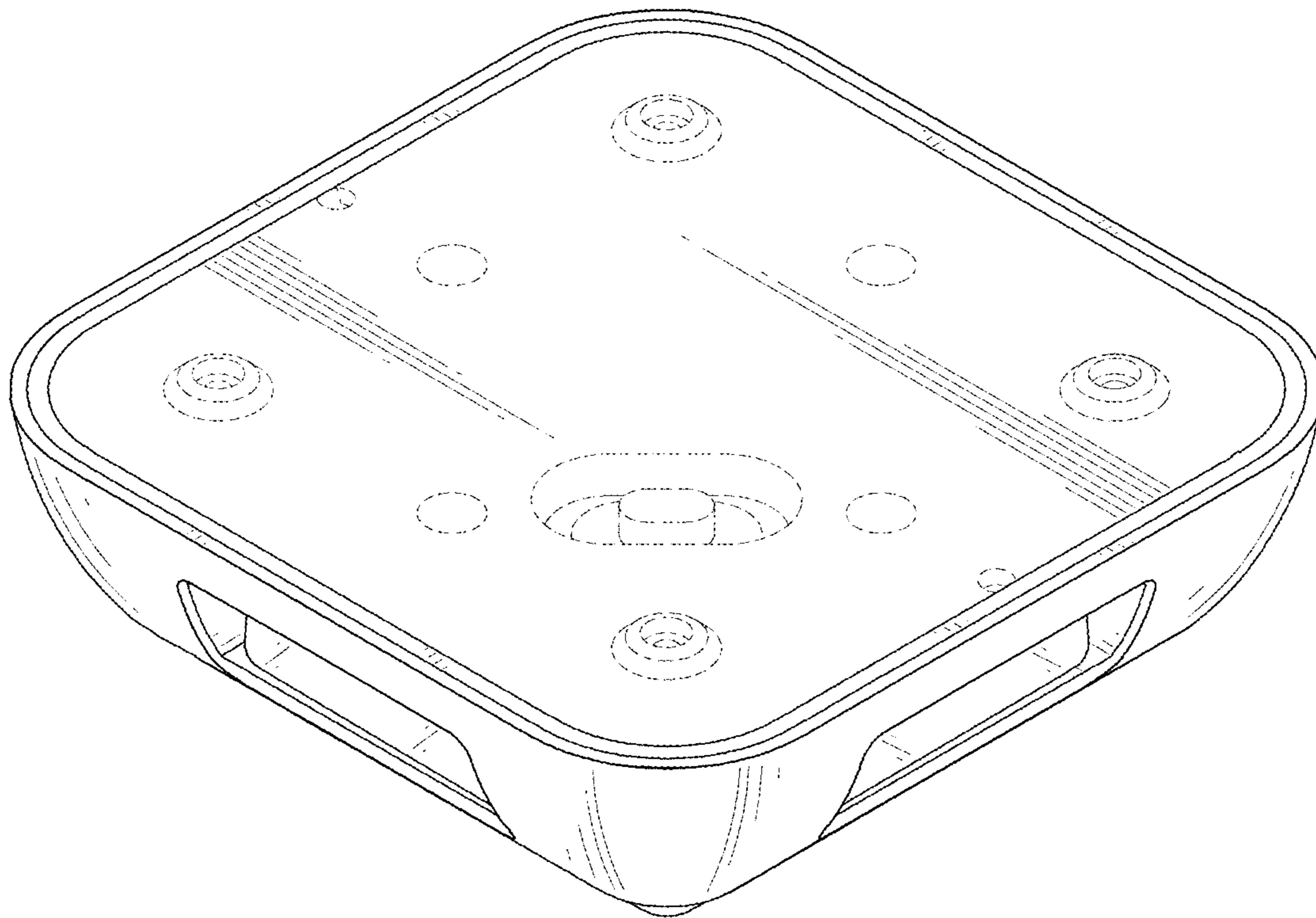


FIG. 2

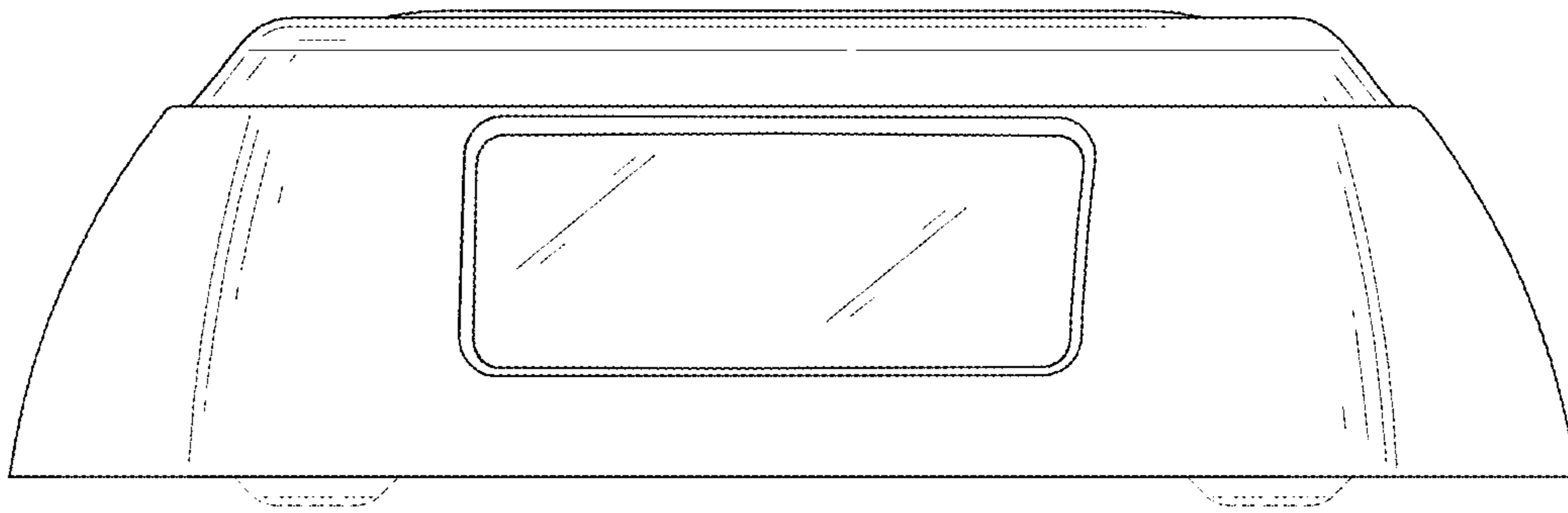


FIG. 3

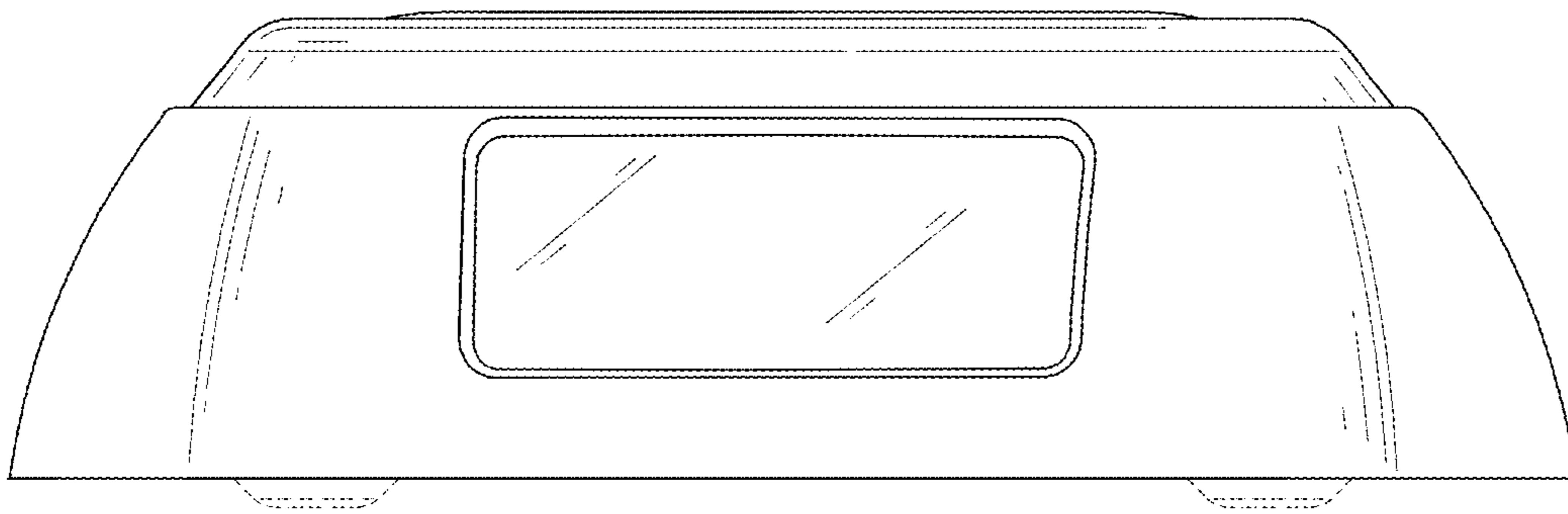


FIG. 4

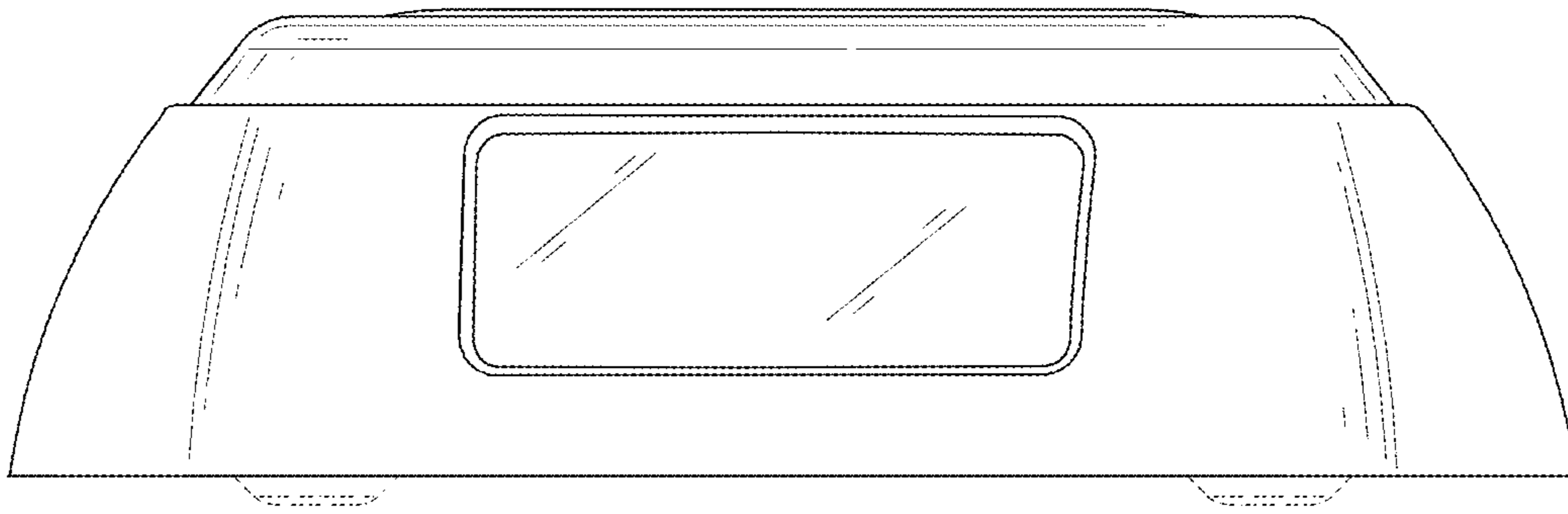


FIG. 5

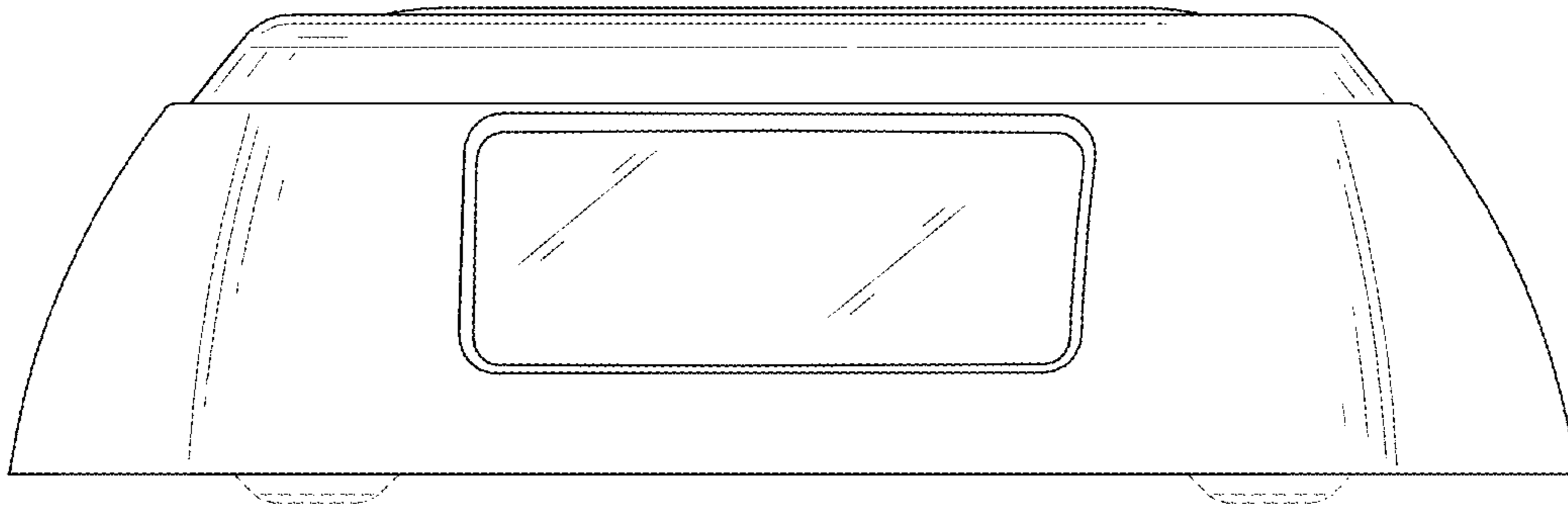


FIG. 6

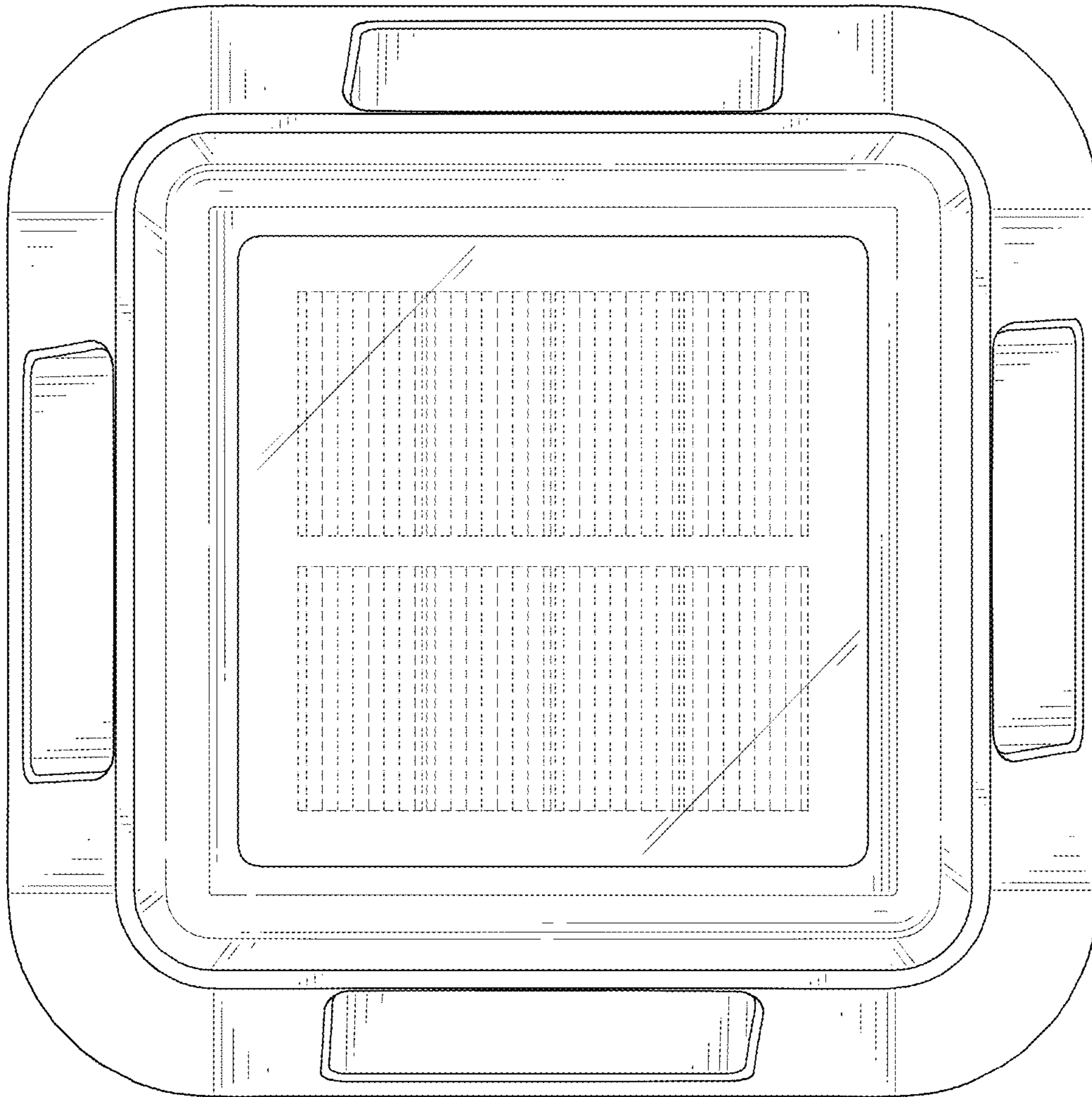


FIG. 7



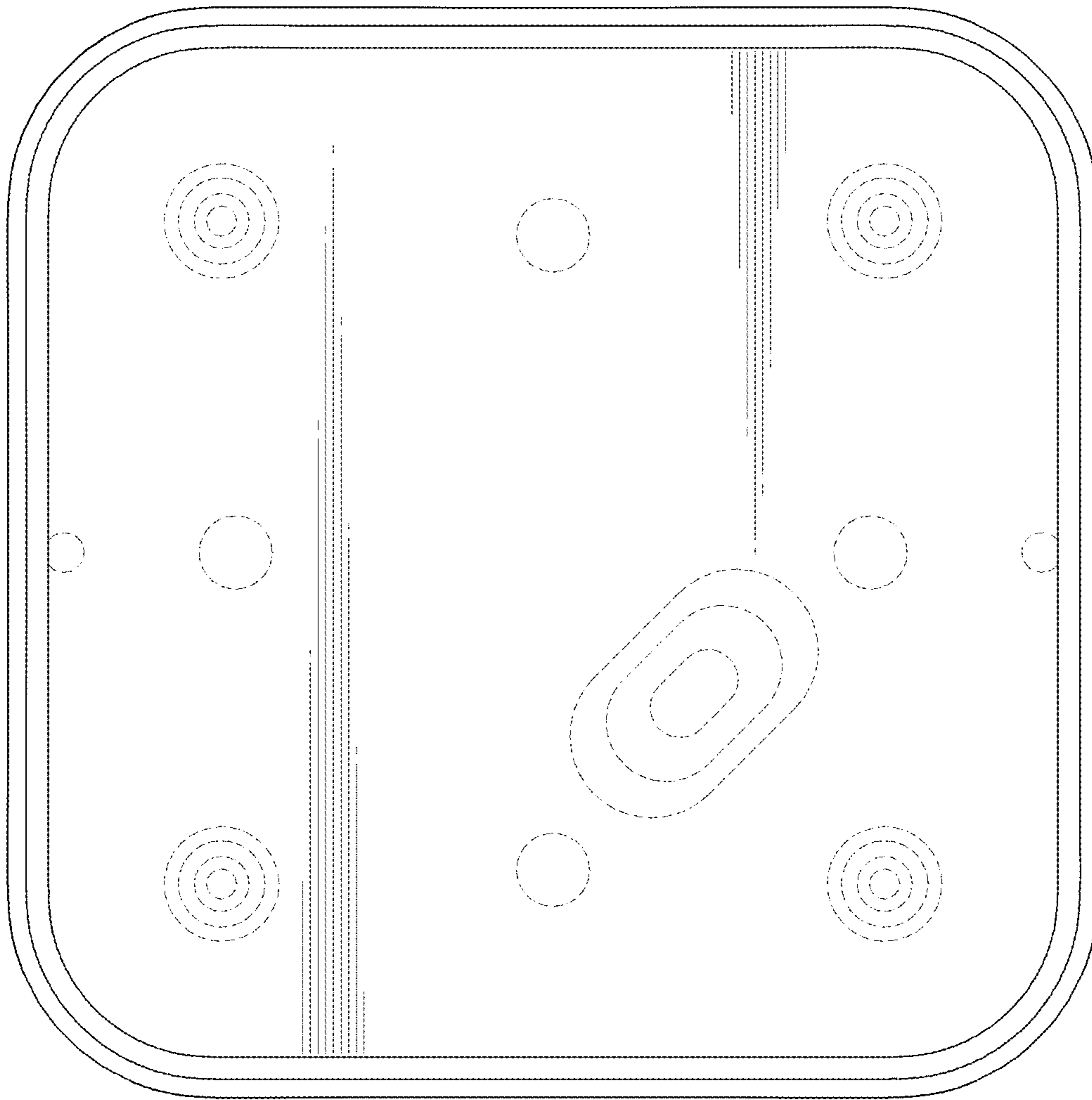


FIG. 8

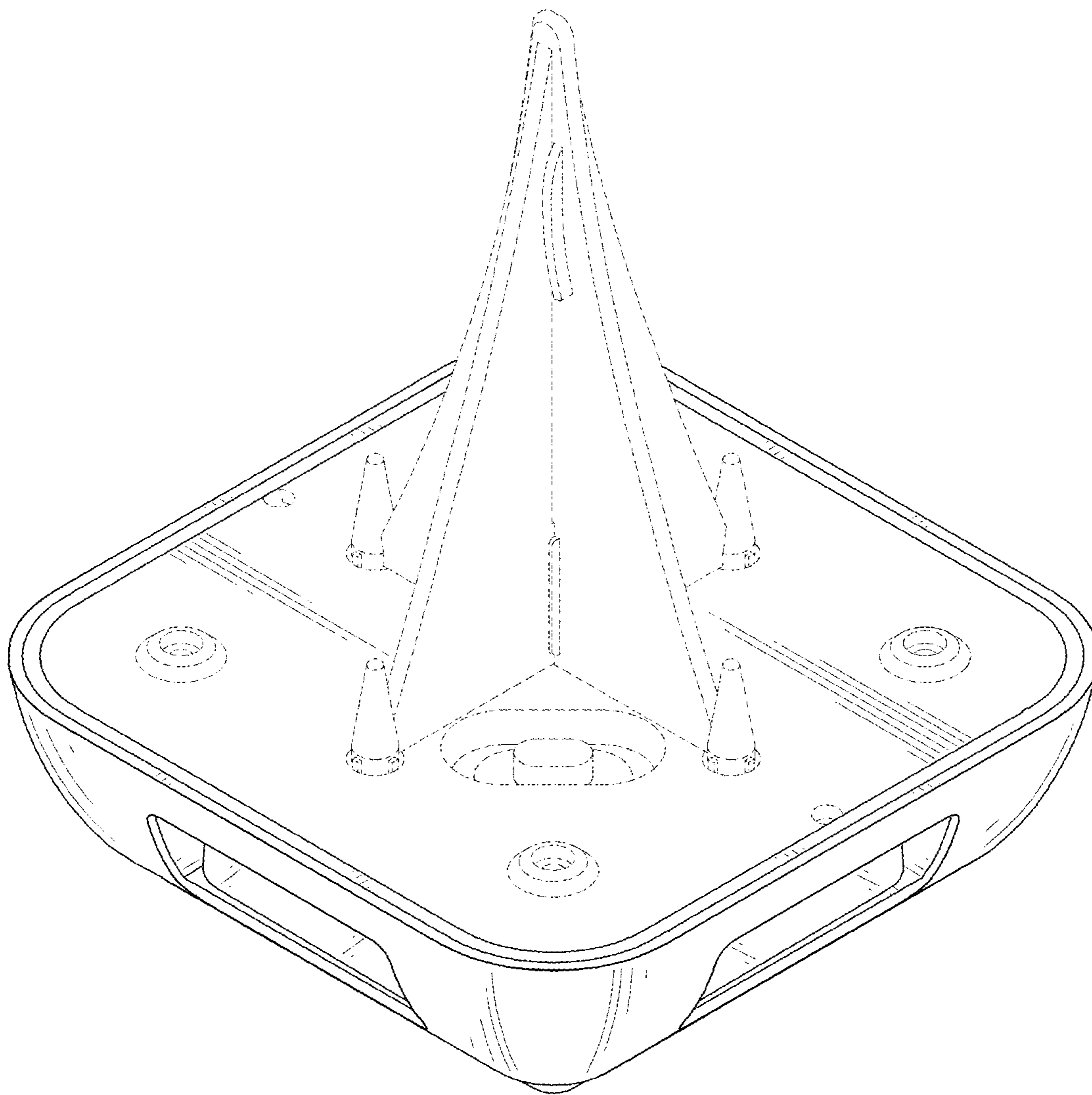


FIG. 9