



US00D905888S

(12) **United States Design Patent** (10) **Patent No.:** **US D905,888 S**
Li (45) **Date of Patent:** **** Dec. 22, 2020**

(54) **SOLAR BURIED LAMP**

(71) Applicant: **Saisai Li**, Jinhua (CN)

(72) Inventor: **Saisai Li**, Jinhua (CN)

(**) Term: **15 Years**

(21) Appl. No.: **29/740,223**

(22) Filed: **Jul. 1, 2020**

(30) **Foreign Application Priority Data**

Jan. 16, 2020 (CN) 2020 3 0029417

(51) **LOC (12) Cl.** **26-05**

(52) **U.S. Cl.**
USPC **D26/67**

(58) **Field of Classification Search**
USPC D26/67, 72, 74, 85
CPC F21S 8/022; F21S 8/03; F21S 8/032; F21S
8/033; F21S 9/02; F21S 9/037; F21V
21/0824; F21W 2131/109; F21W 2101/04
See application file for complete search history.

(56) **References Cited**

U.S. PATENT DOCUMENTS

5,823,431 A * 10/1998 Pierce B05B 17/08
239/19
D574,104 S * 7/2008 Sanoner D26/67
D616,129 S * 5/2010 Sanoner D26/67
D822,253 S * 7/2018 Wu D26/68
D841,873 S * 2/2019 Hollinger D26/118
D848,043 S 5/2019 Zhuo
D849,988 S 5/2019 Li

D856,564 S 8/2019 Liu
D864,452 S * 10/2019 Wei D26/67
D866,839 S * 11/2019 Yan D26/67
D882,144 S * 4/2020 Zhu D26/67
10,619,810 B1 * 4/2020 Hwang F21V 3/00
D885,631 S * 5/2020 Li D26/67
2017/0184260 A1 * 6/2017 Munoz Abogabir ... F21V 23/04
2019/0128486 A1 * 5/2019 Hollinger F21S 9/037

OTHER PUBLICATIONS

MAGGIFT 8 Pack Solar Disk Lights available at amazon.com Apr. 7, 2020. (Year: 2020).*

* cited by examiner

Primary Examiner — Clare E Heflin
(74) *Attorney, Agent, or Firm* — ScienBiziP, P.C.

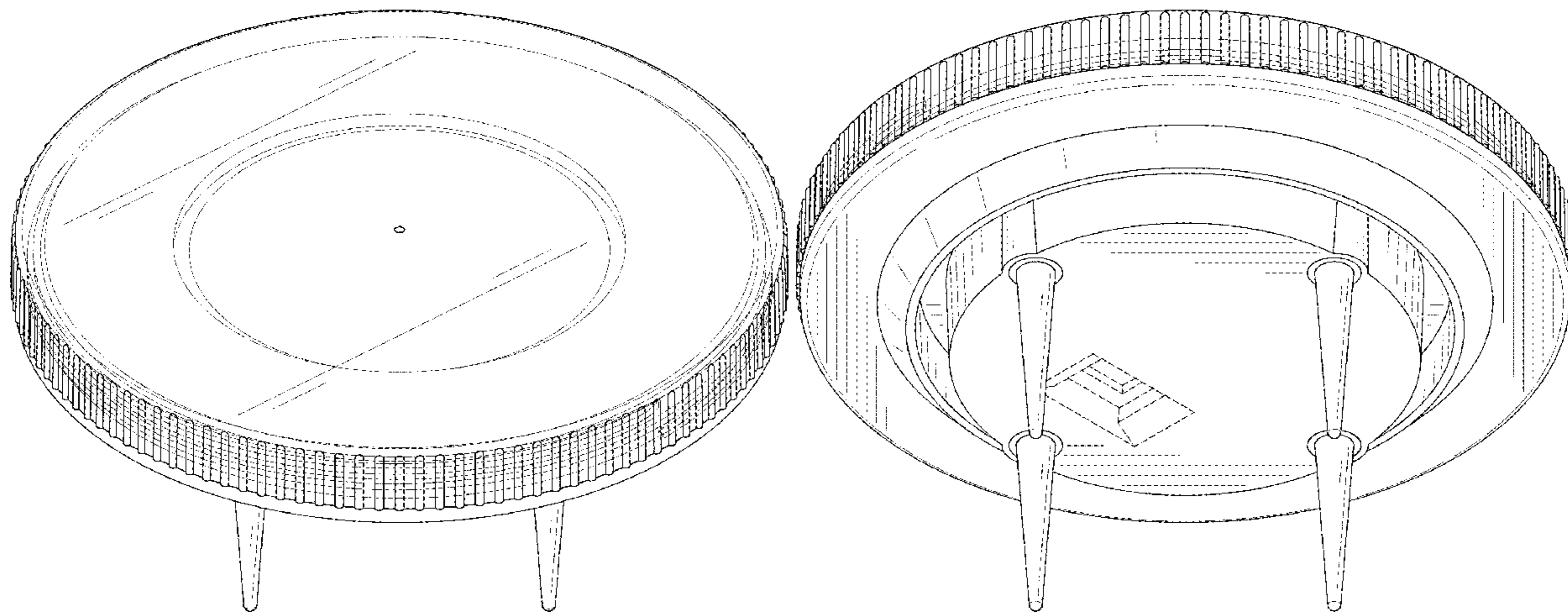
(57) **CLAIM**

The ornamental design for a solar buried lamp, as shown and described.

DESCRIPTION

FIG. 1 is a front and top perspective view of a solar buried lamp, showing my design.
FIG. 2 is a rear and bottom perspective view thereof.
FIG. 3 is a front elevation view thereof.
FIG. 4 is a rear elevation view thereof.
FIG. 5 is a left side elevation view thereof.
FIG. 6 is a right side elevation view thereof.
FIG. 7 is a top plan view thereof; and,
FIG. 8 is a bottom plan view thereof.
The broken lines shown on the drawings depict portions of the solar buried lamp that form no part of the claimed design.

1 Claim, 8 Drawing Sheets



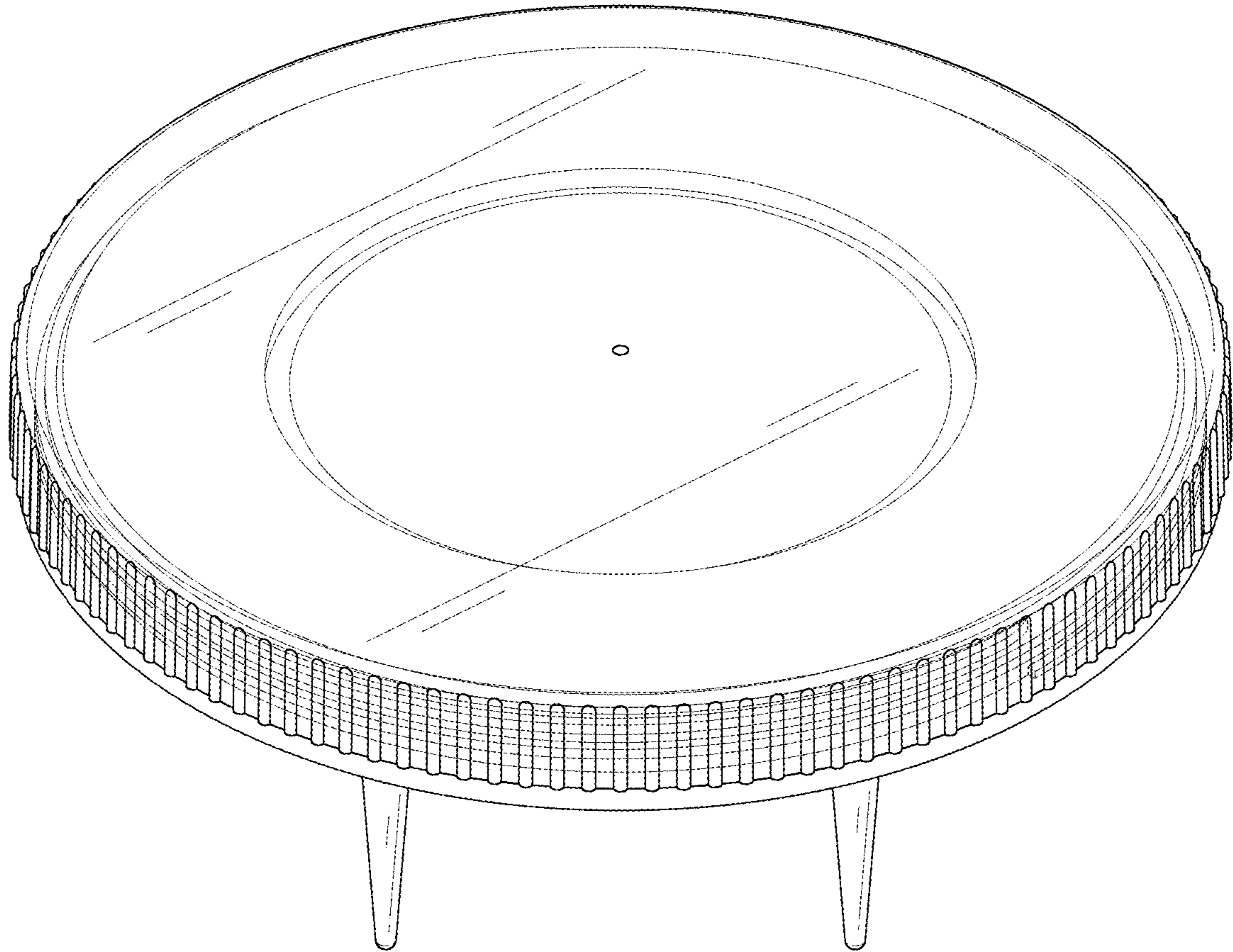


FIG. 1

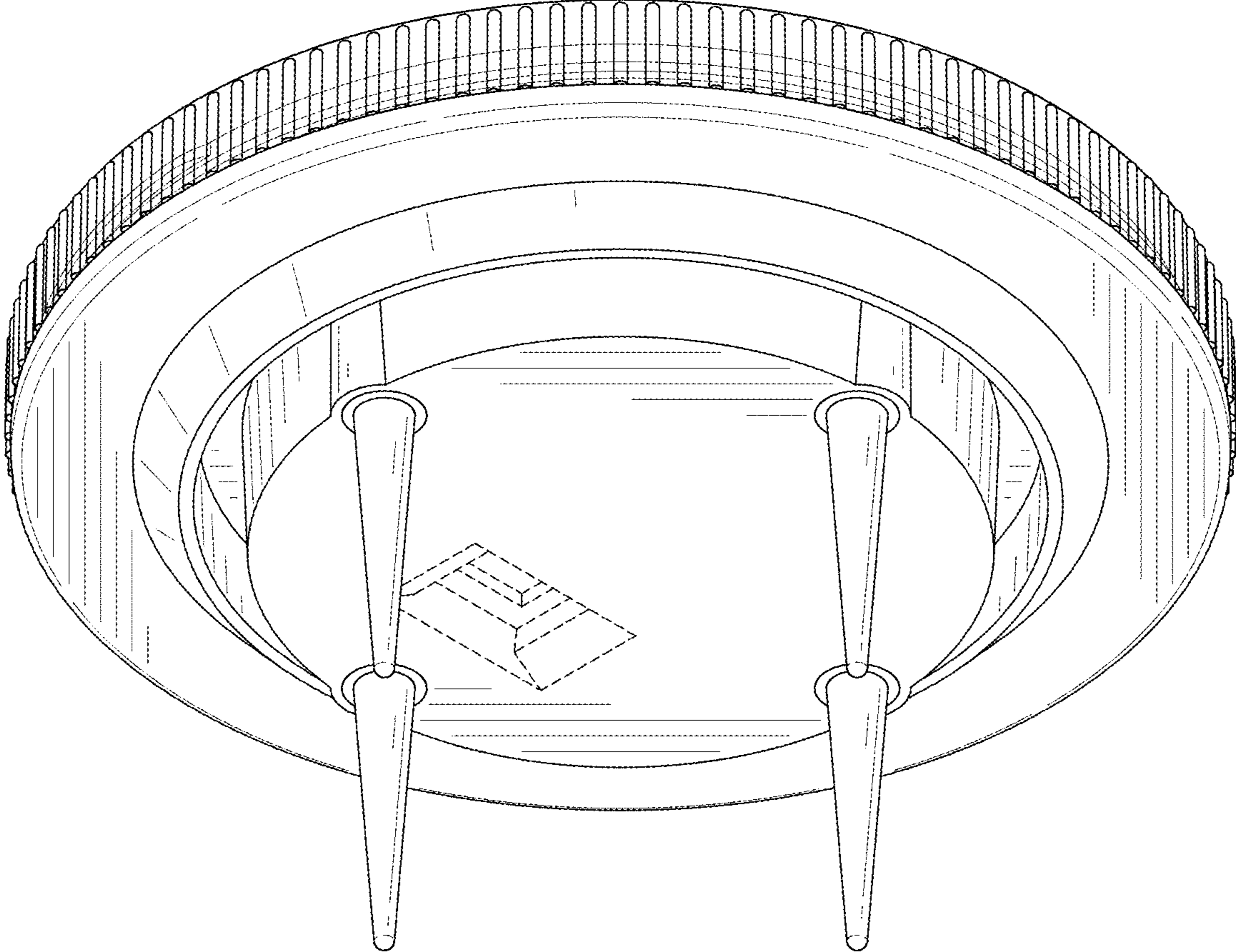


FIG. 2

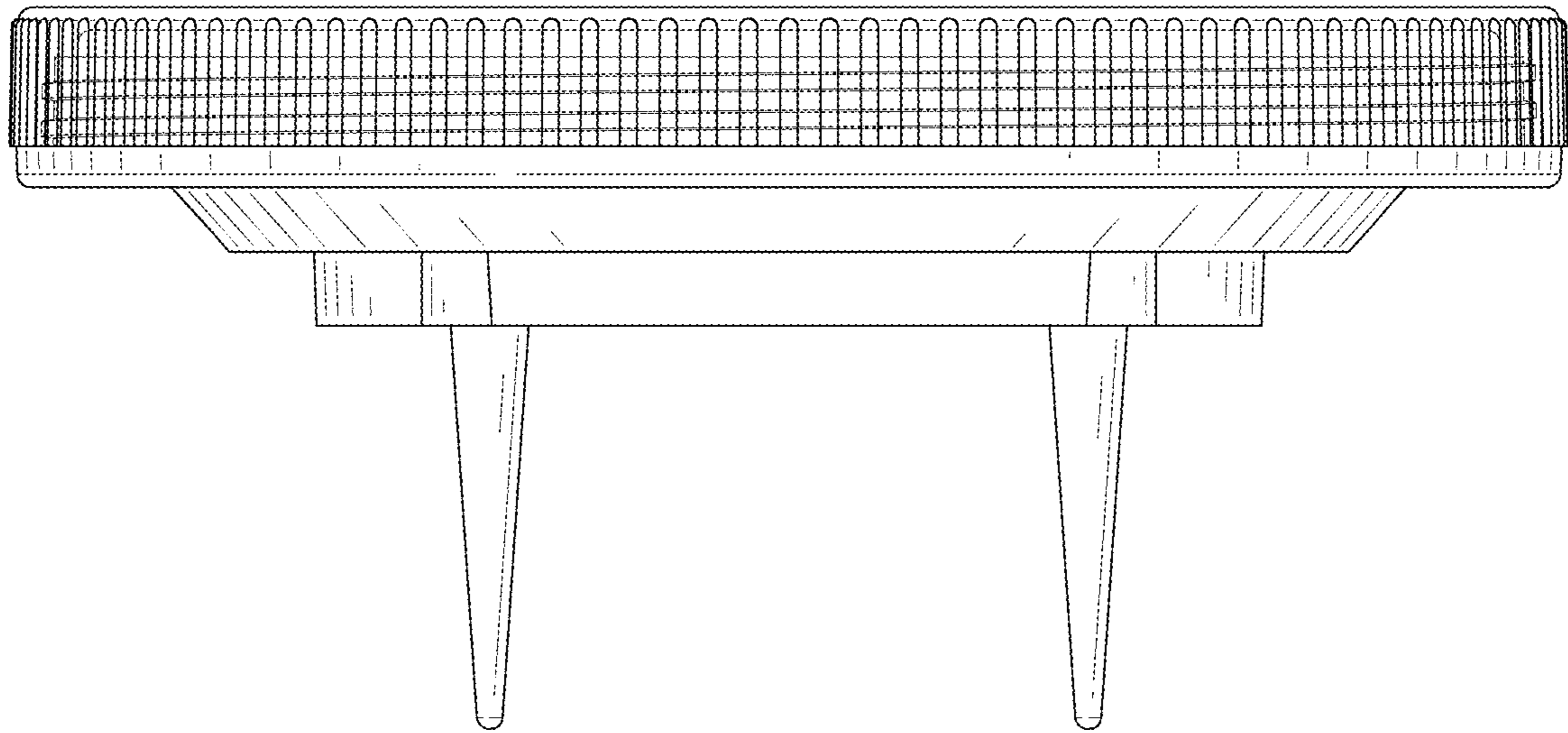


FIG. 3

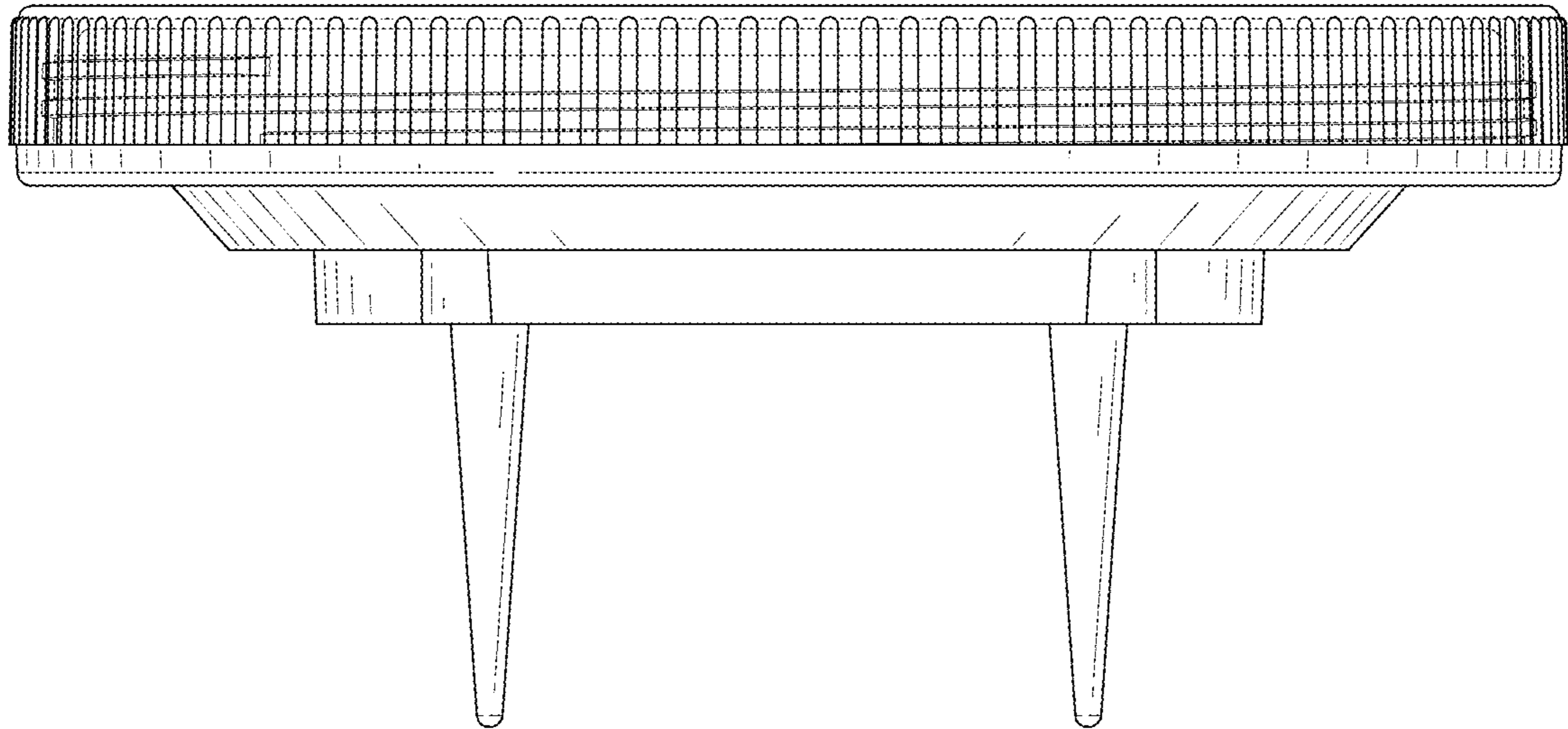


FIG. 4

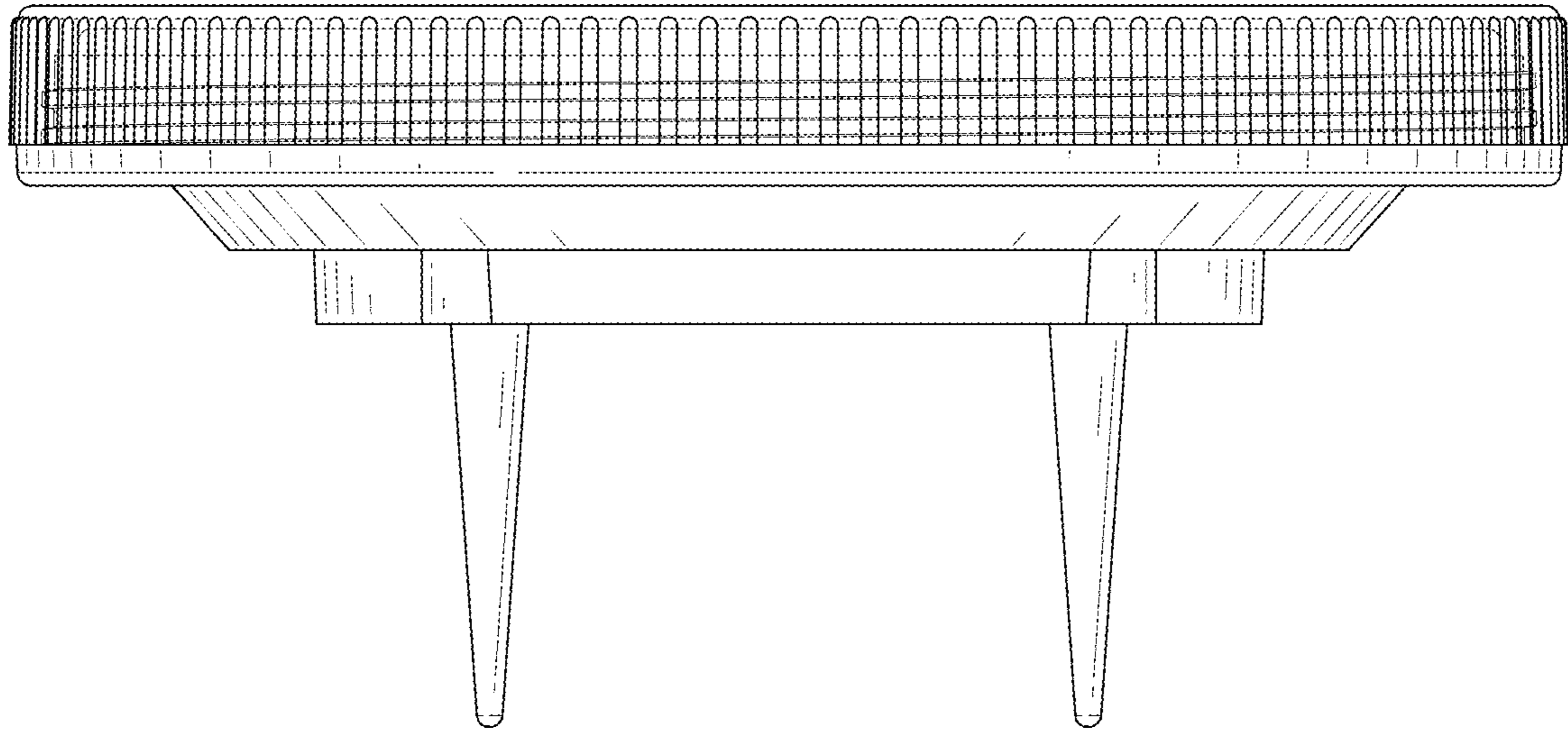


FIG. 5

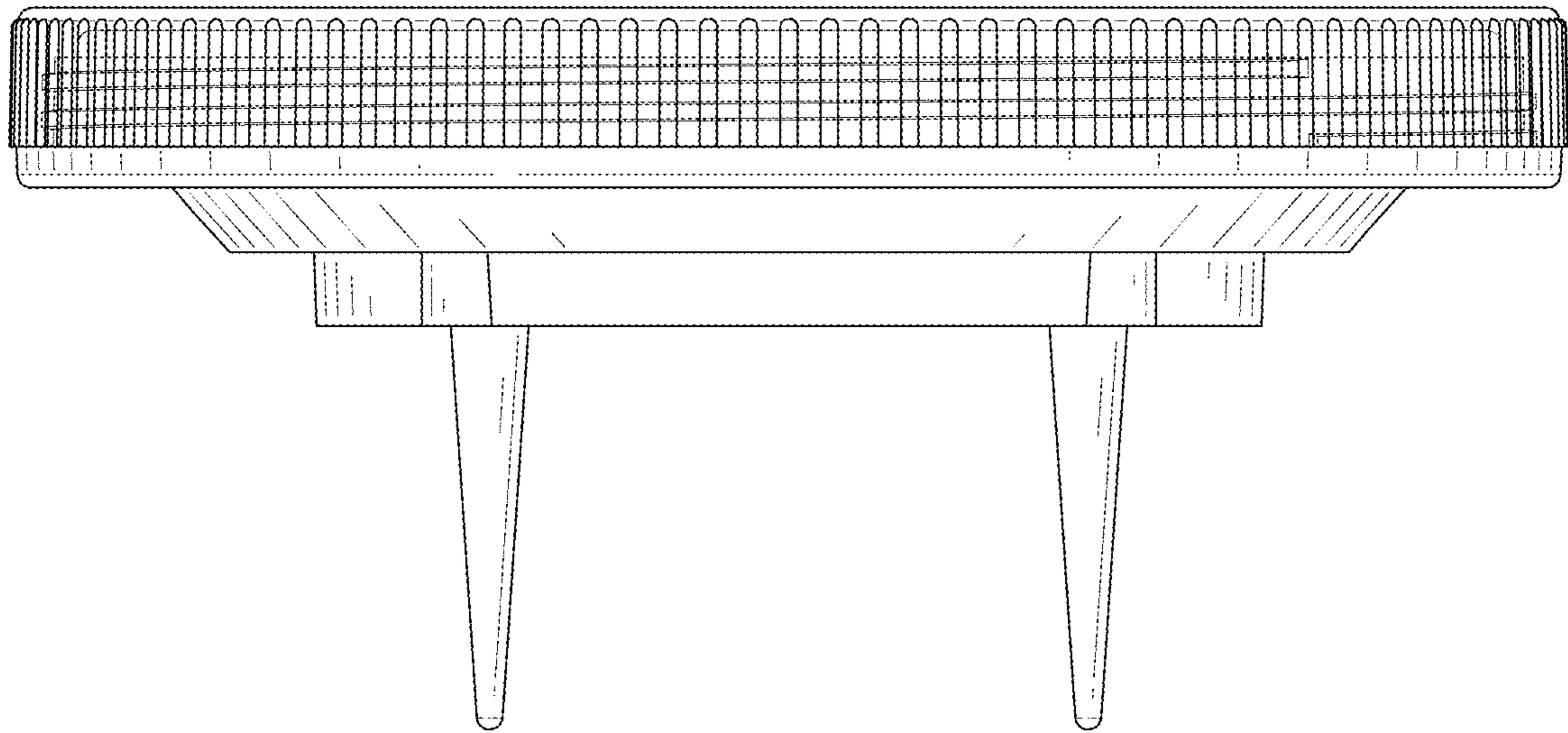


FIG. 6

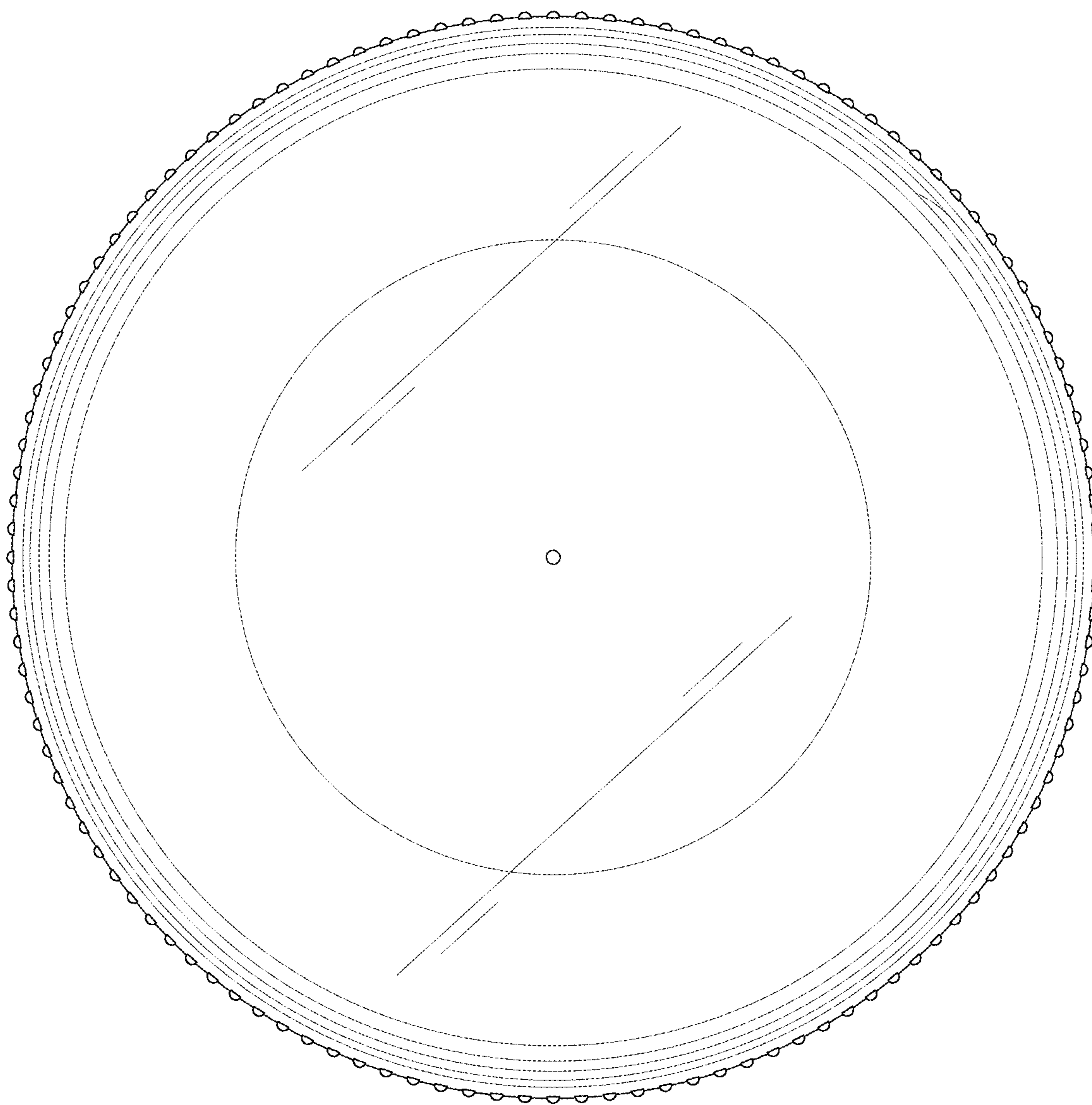


FIG. 7

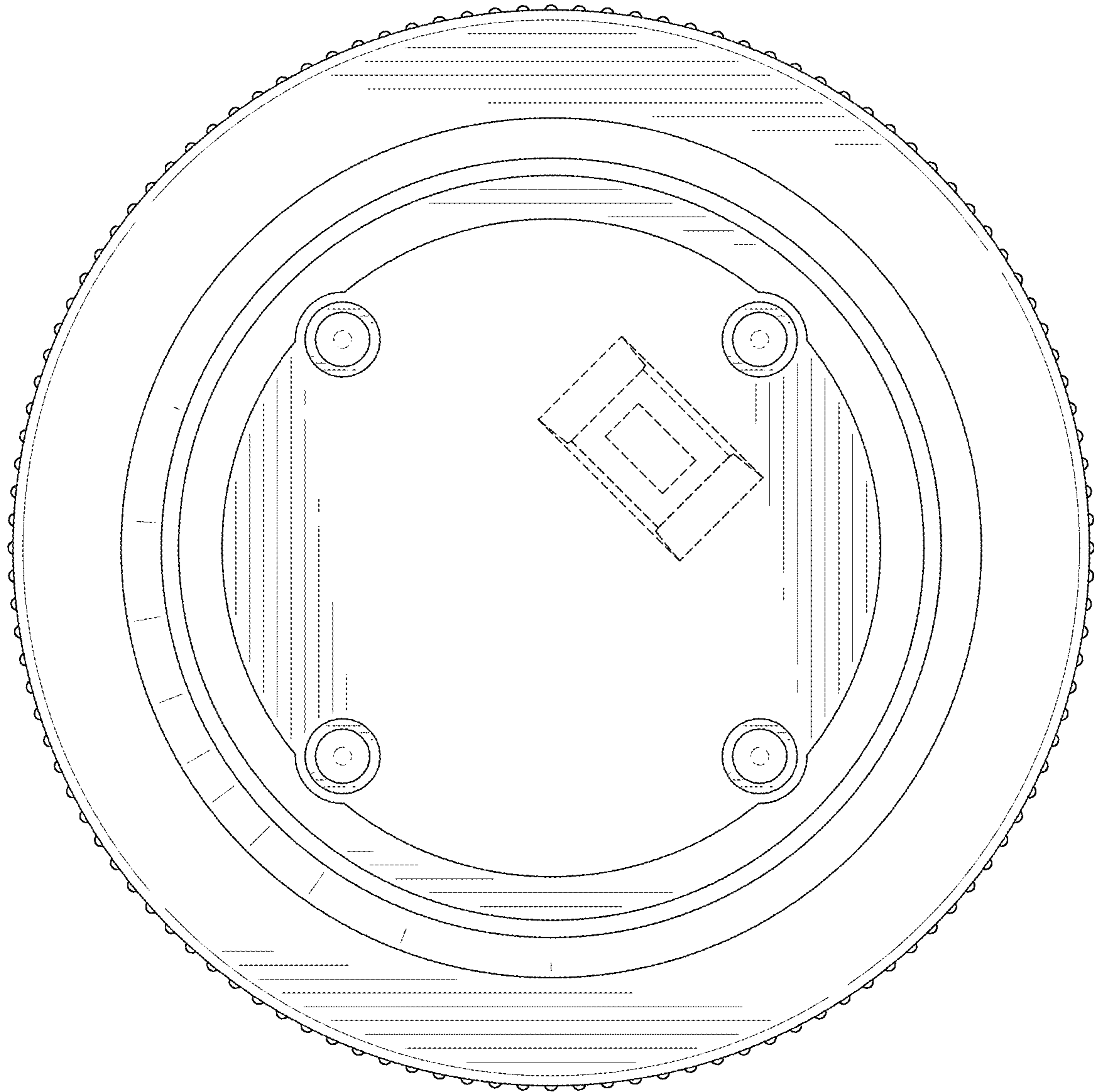


FIG. 8