

US00D905887S

(12) **United States Design Patent**
Li

(10) **Patent No.:** **US D905,887 S**

(45) **Date of Patent:** **** Dec. 22, 2020**

(54) **SOLAR BURIED LAMP**

(71) Applicant: **Saisai Li**, Jinhua (CN)

(72) Inventor: **Saisai Li**, Jinhua (CN)

(**) Term: **15 Years**

(21) Appl. No.: **29/740,221**

(22) Filed: **Jul. 1, 2020**

(51) **LOC (12) Cl.** **26-05**

(52) **U.S. Cl.**
USPC **D26/67**

(58) **Field of Classification Search**
USPC D26/67, 72, 74, 85
CPC F21S 8/022; F21S 8/03; F21S 8/032; F21S
8/033; F21S 9/02; F21S 9/037; F21V
21/0824; F21W 2131/109; F21W 2101/04
See application file for complete search history.

(56) **References Cited**

U.S. PATENT DOCUMENTS

D642,722 S *	8/2011	Oberpriller	D26/67
D822,253 S *	7/2018	Wu	D26/68
D834,240 S *	11/2018	Mullen	D26/138
D841,873 S *	2/2019	Hollinger	D26/118
D841,879 S *	2/2019	Hollinger	D26/142
D848,043 S	5/2019	Zhuo		
D849,988 S	5/2019	Li		
D856,564 S	8/2019	Liu		
D864,452 S *	10/2019	Wei	D26/67
D866,839 S *	11/2019	Yan	D26/67
D881,436 S *	4/2020	Yan	D26/67
10,619,810 B1 *	4/2020	Hwang	F21V 3/00

D885,631 S *	5/2020	Li	D26/67
2018/0149350 A1 *	5/2018	Johnson-Gray	F21S 9/035
2019/0128486 A1 *	5/2019	Hollinger	F21S 9/037

OTHER PUBLICATIONS

Solar Ground Lights sold by Lebreak at amazon.com Jun. 9, 2020.
(Year: 2020).*

Zongool Solar Ground Lights available at amazon.com Jul. 9, 2020.
(Year: 2020).*

* cited by examiner

Primary Examiner — Clare E Heflin

(74) *Attorney, Agent, or Firm* — ScienBiziP, P.C.

(57) **CLAIM**

The ornamental design for a solar buried lamp, as shown and described.

DESCRIPTION

FIG. 1 is a front and top perspective view of a solar buried lamp, showing my design.

FIG. 2 is a rear and bottom perspective view thereof.

FIG. 3 is a front elevation view thereof.

FIG. 4 is a rear elevation view thereof.

FIG. 5 is a left side elevation view thereof.

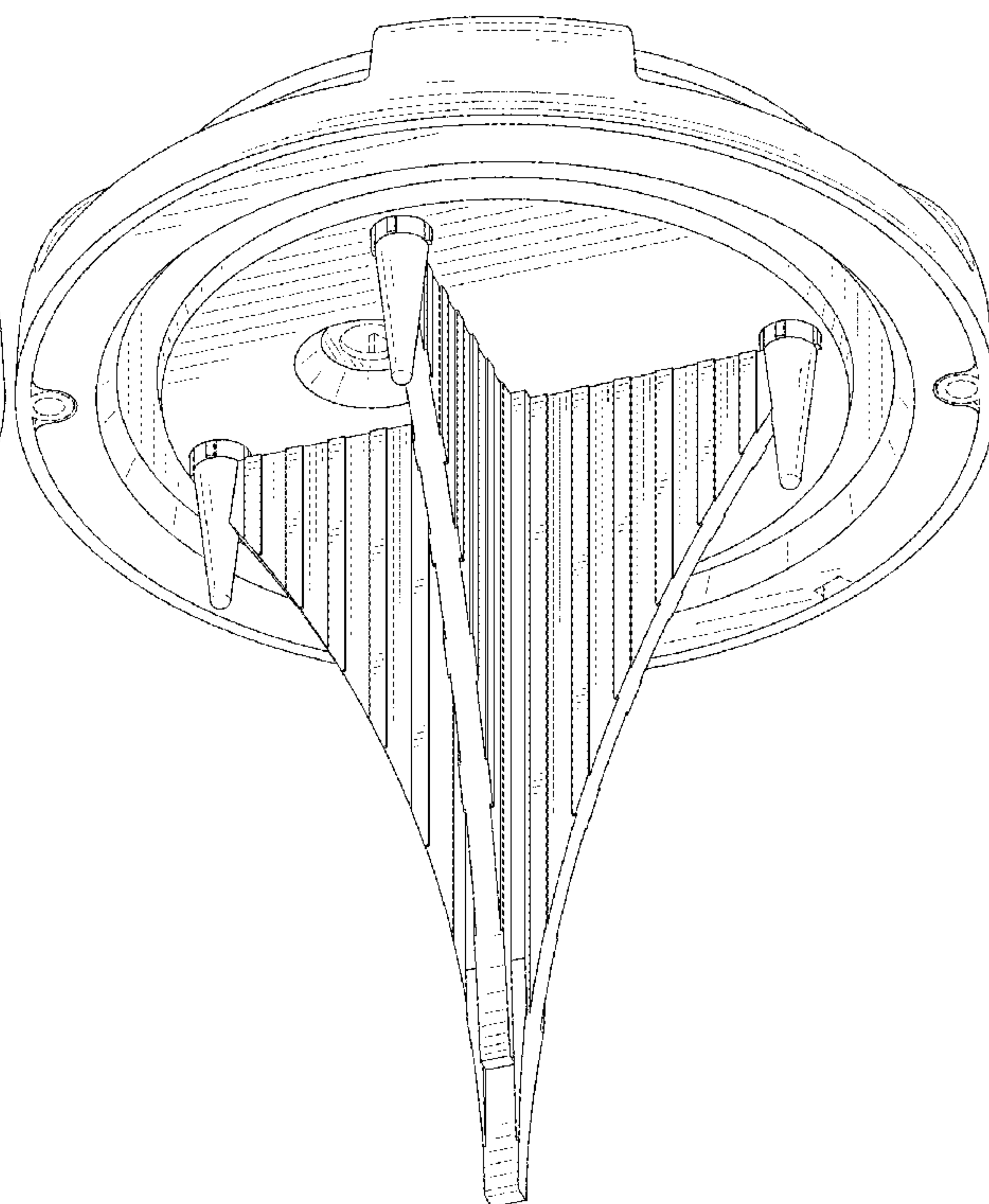
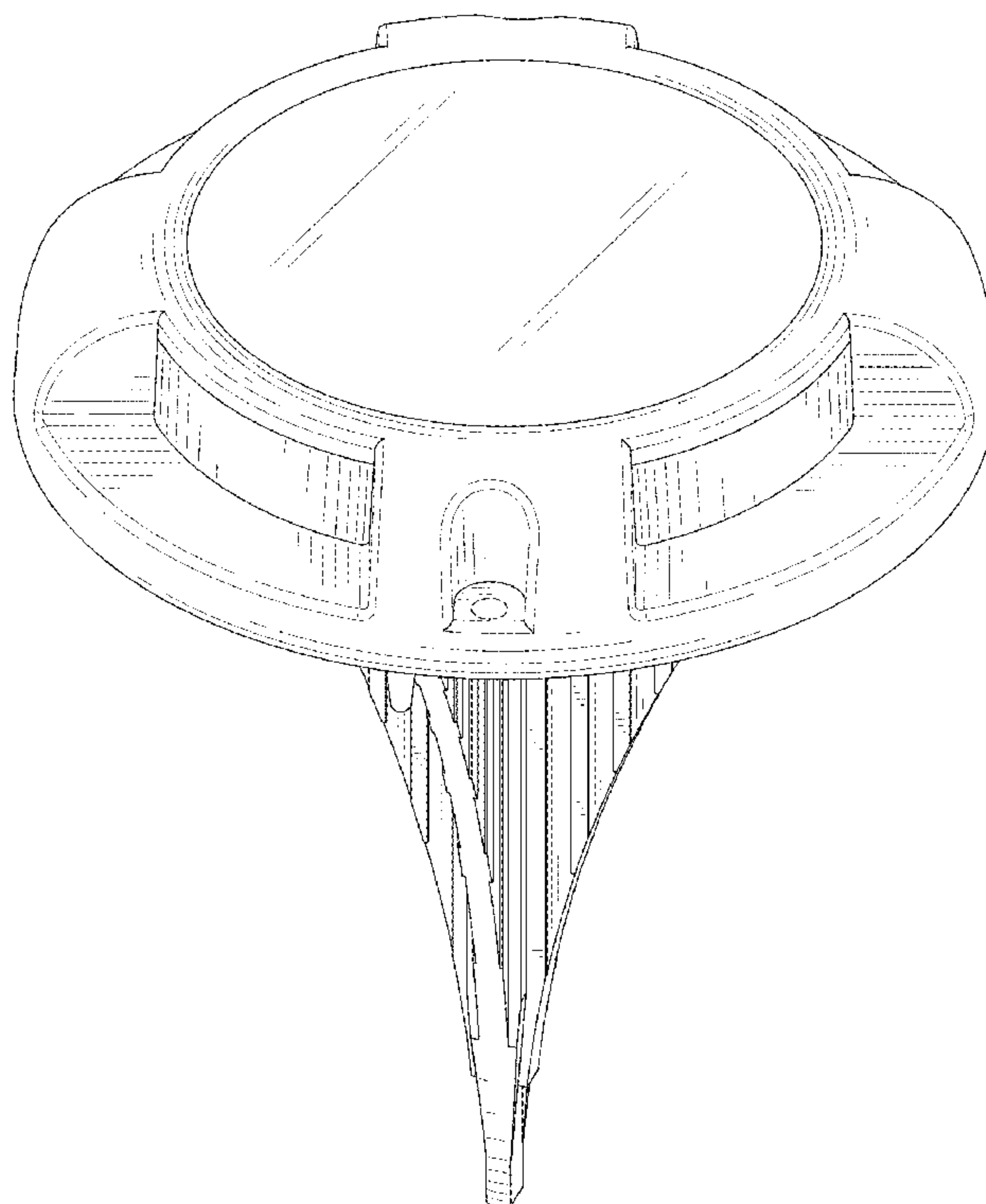
FIG. 6 is a right side elevation view thereof.

FIG. 7 is a top plan view thereof; and,

FIG. 8 is a bottom plan view thereof.

The broken lines shown on the drawings depict portions of the solar buried lamp that form no part of the claimed design.

1 Claim, 8 Drawing Sheets



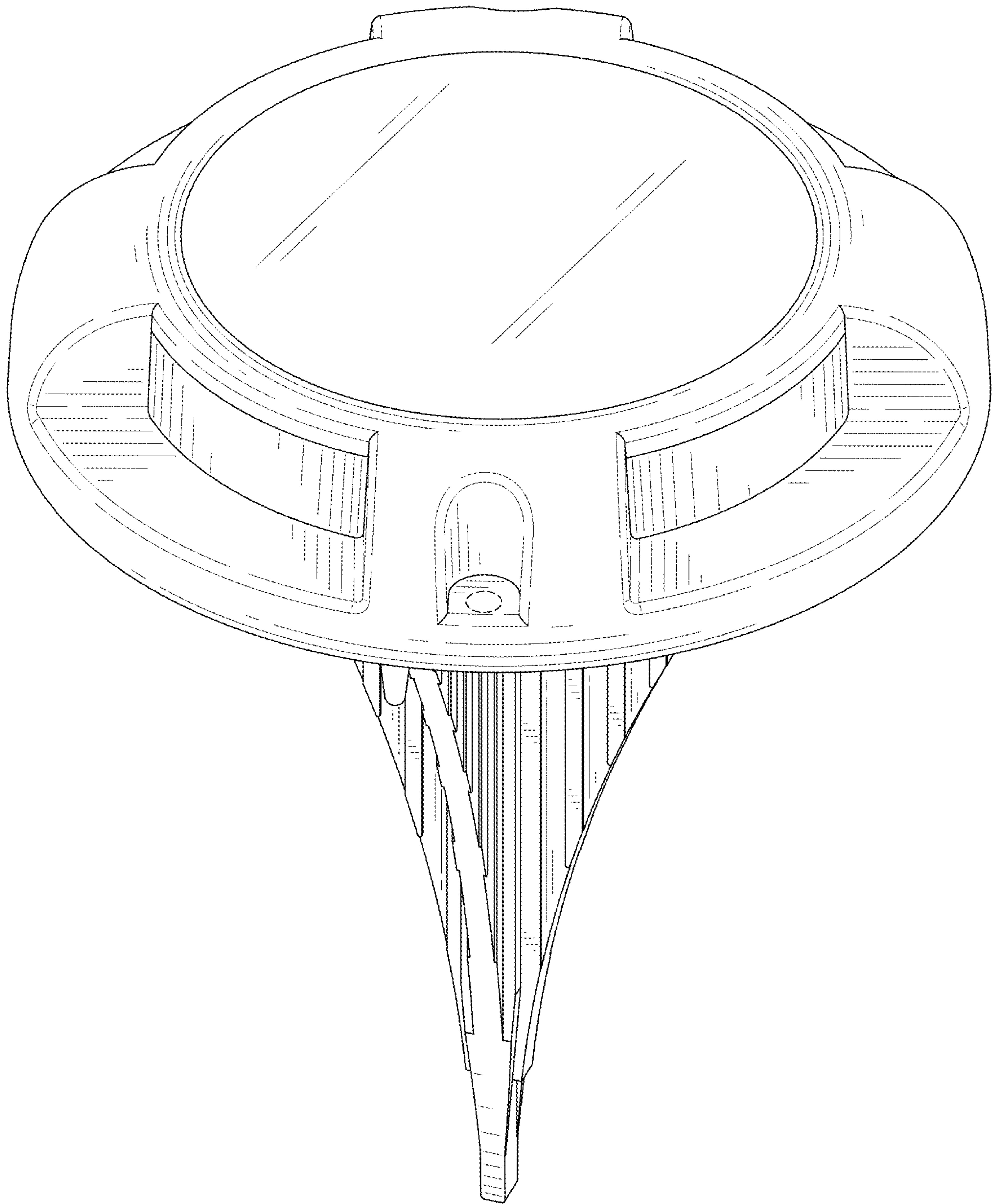


FIG. 1

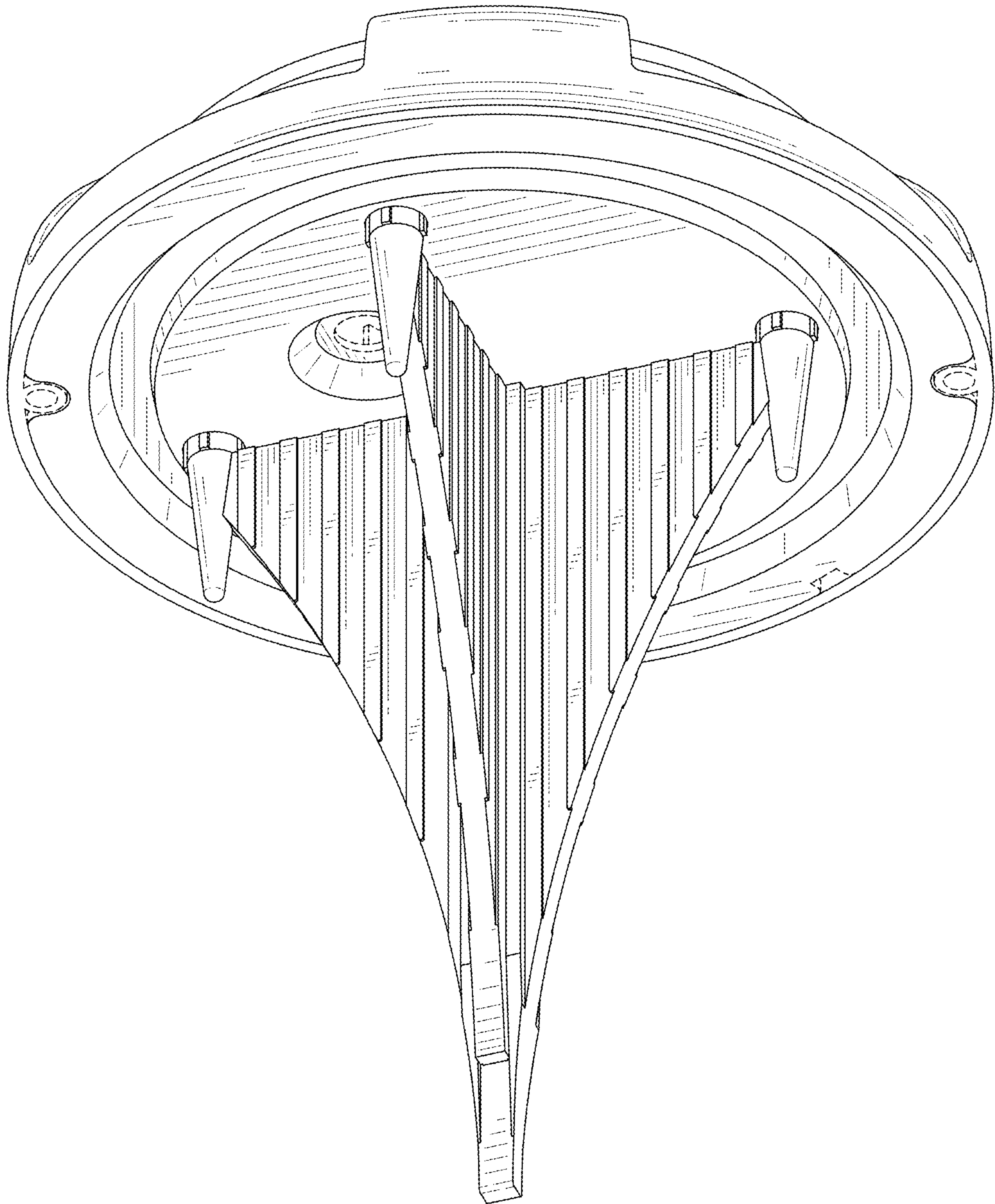


FIG. 2

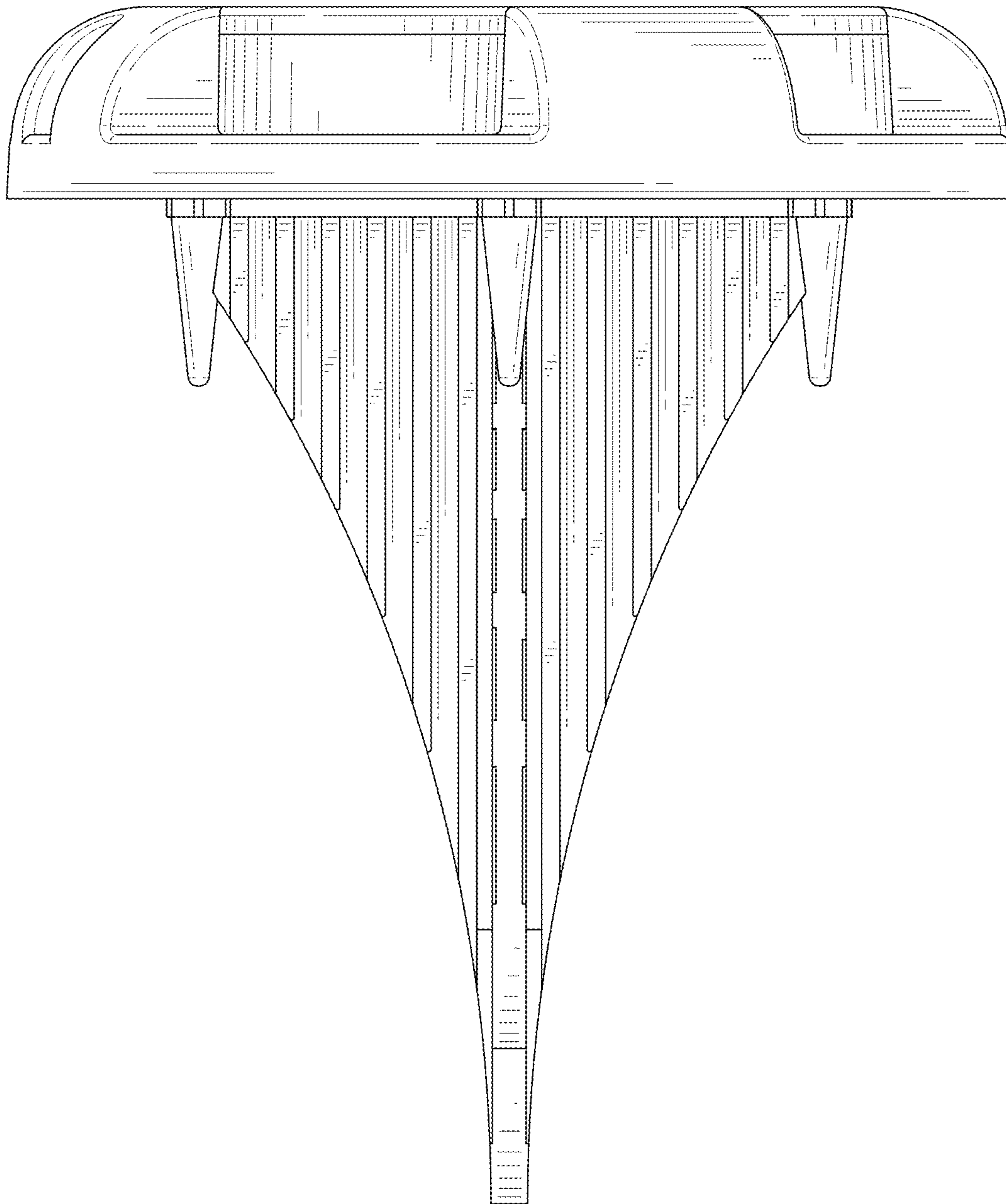


FIG. 3

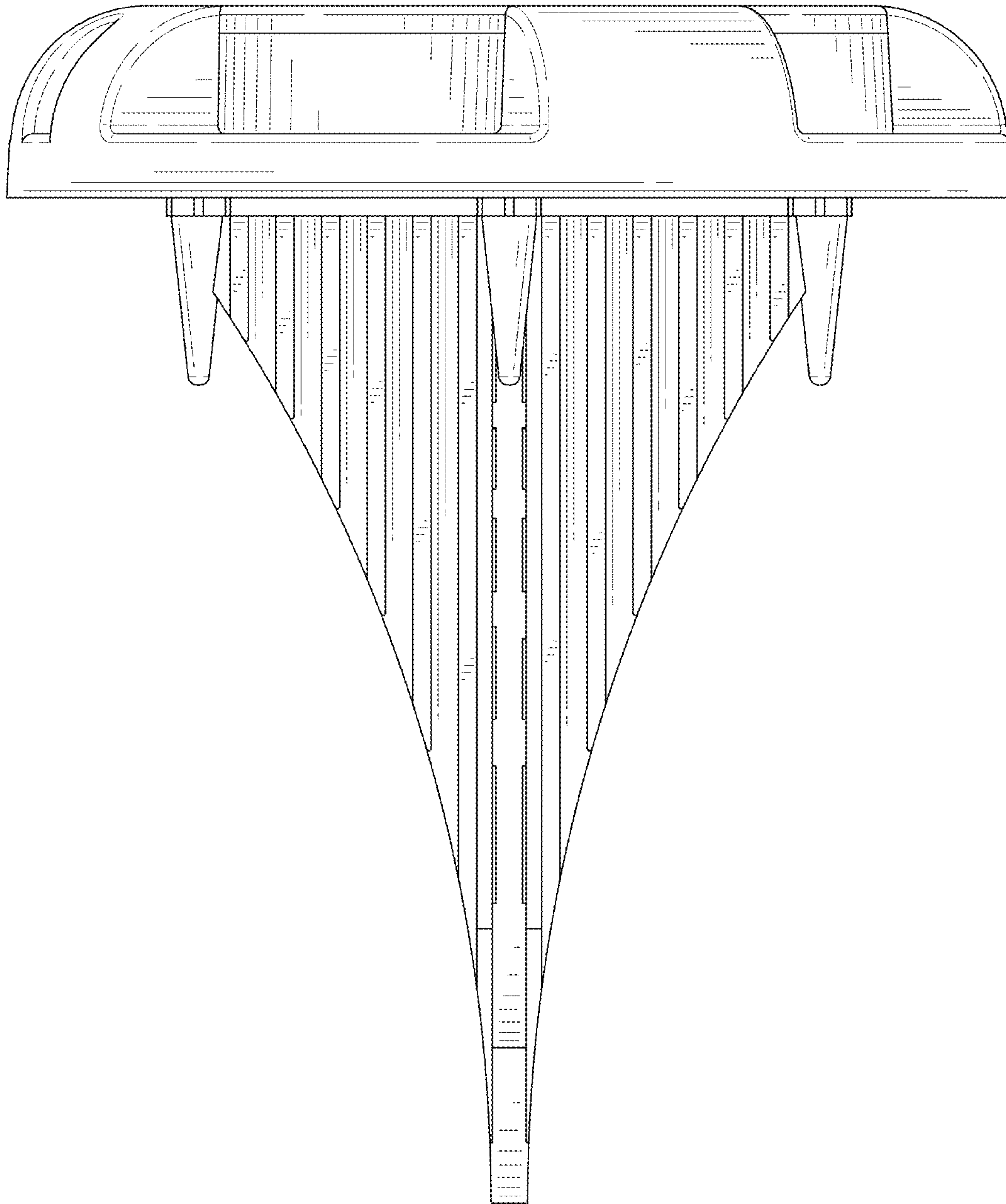


FIG. 4

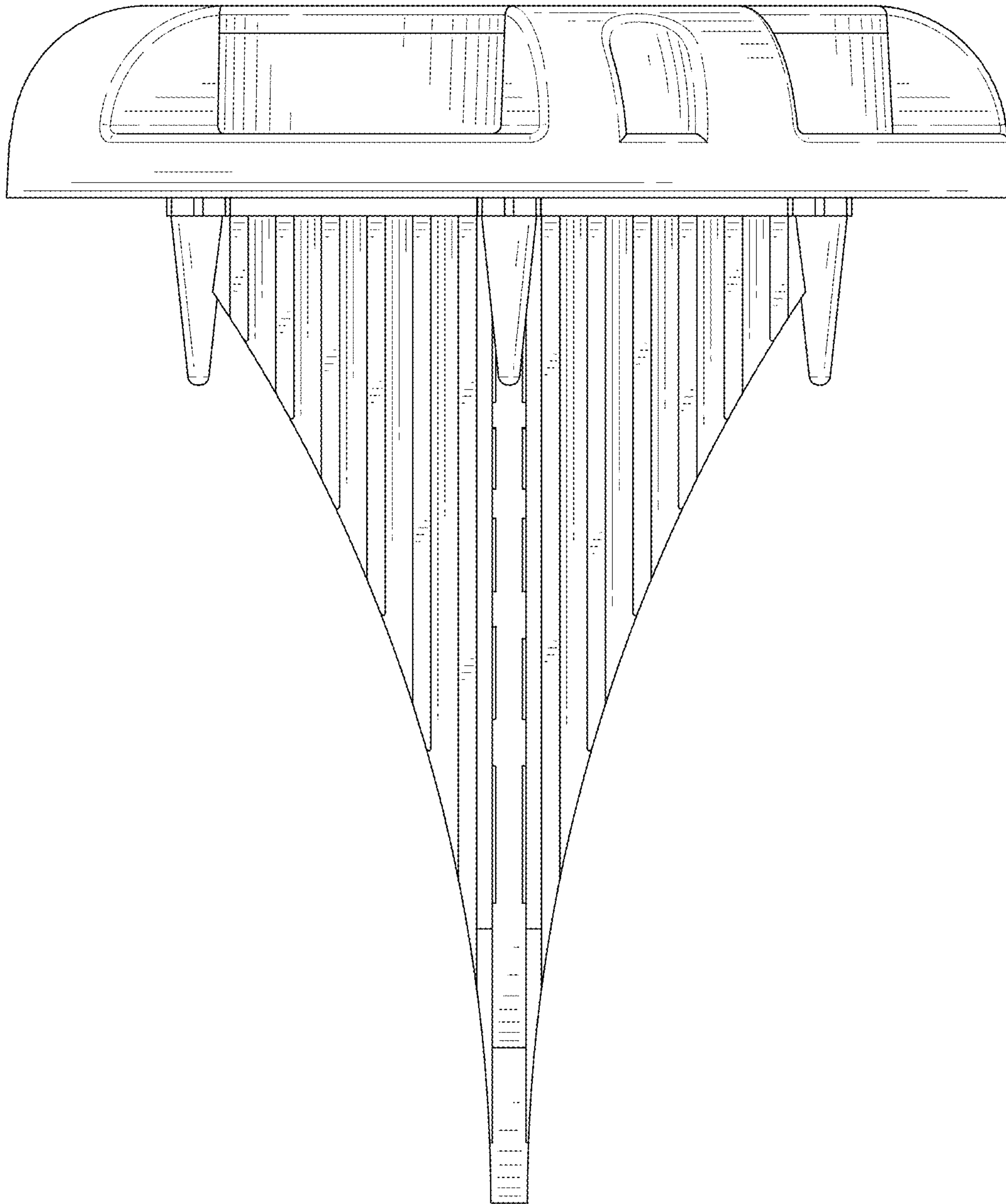


FIG. 5

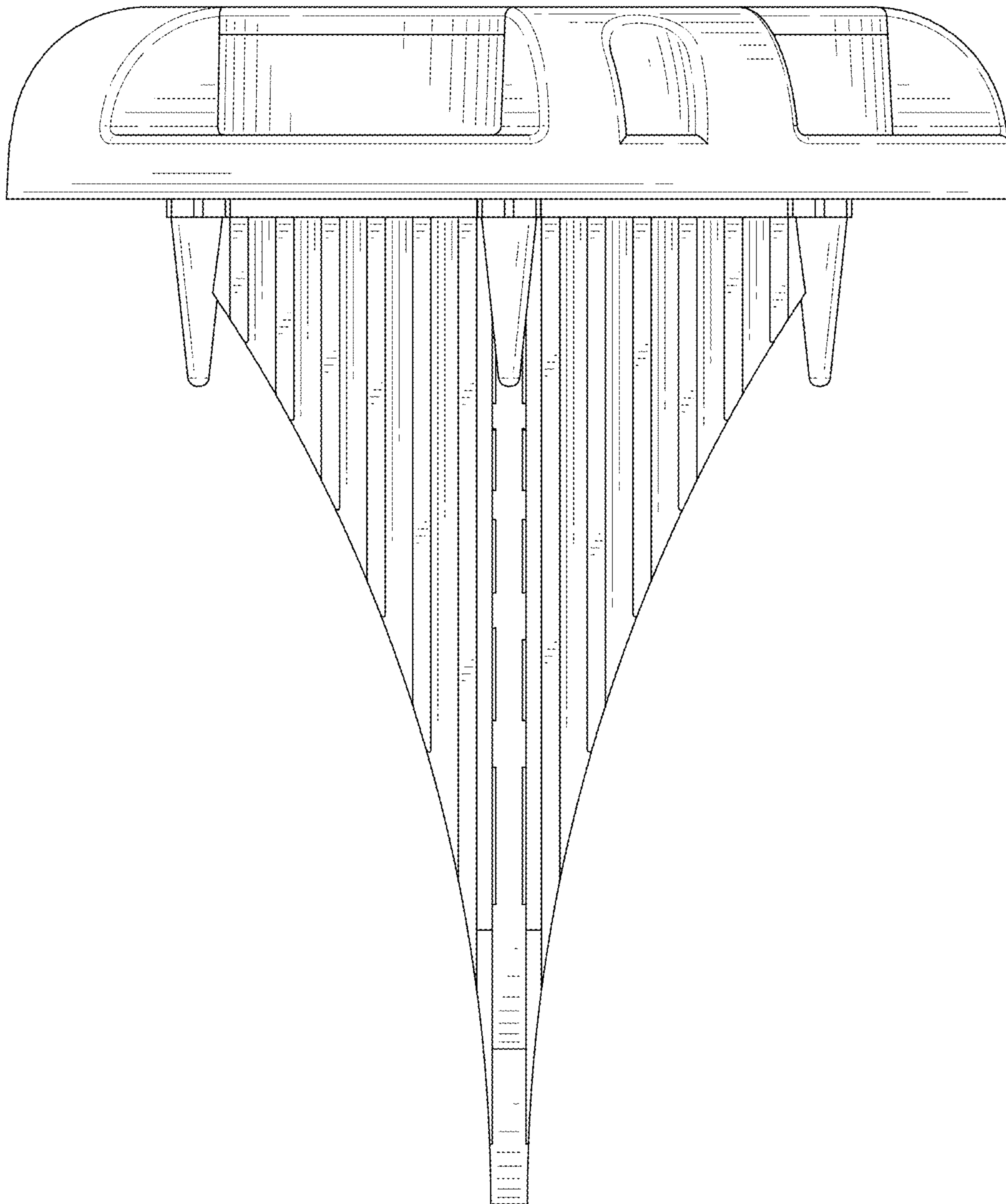


FIG. 6

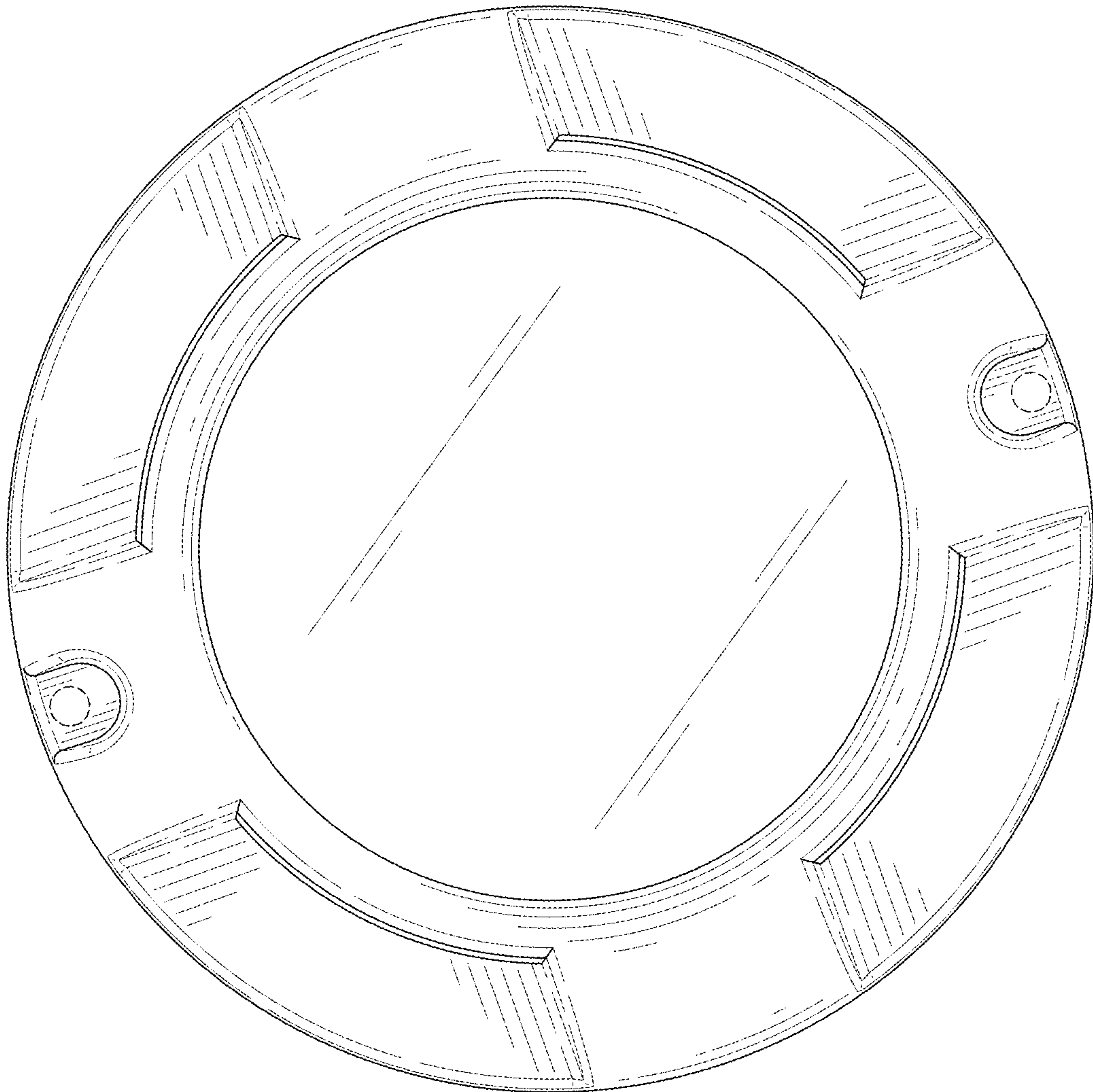


FIG. 7

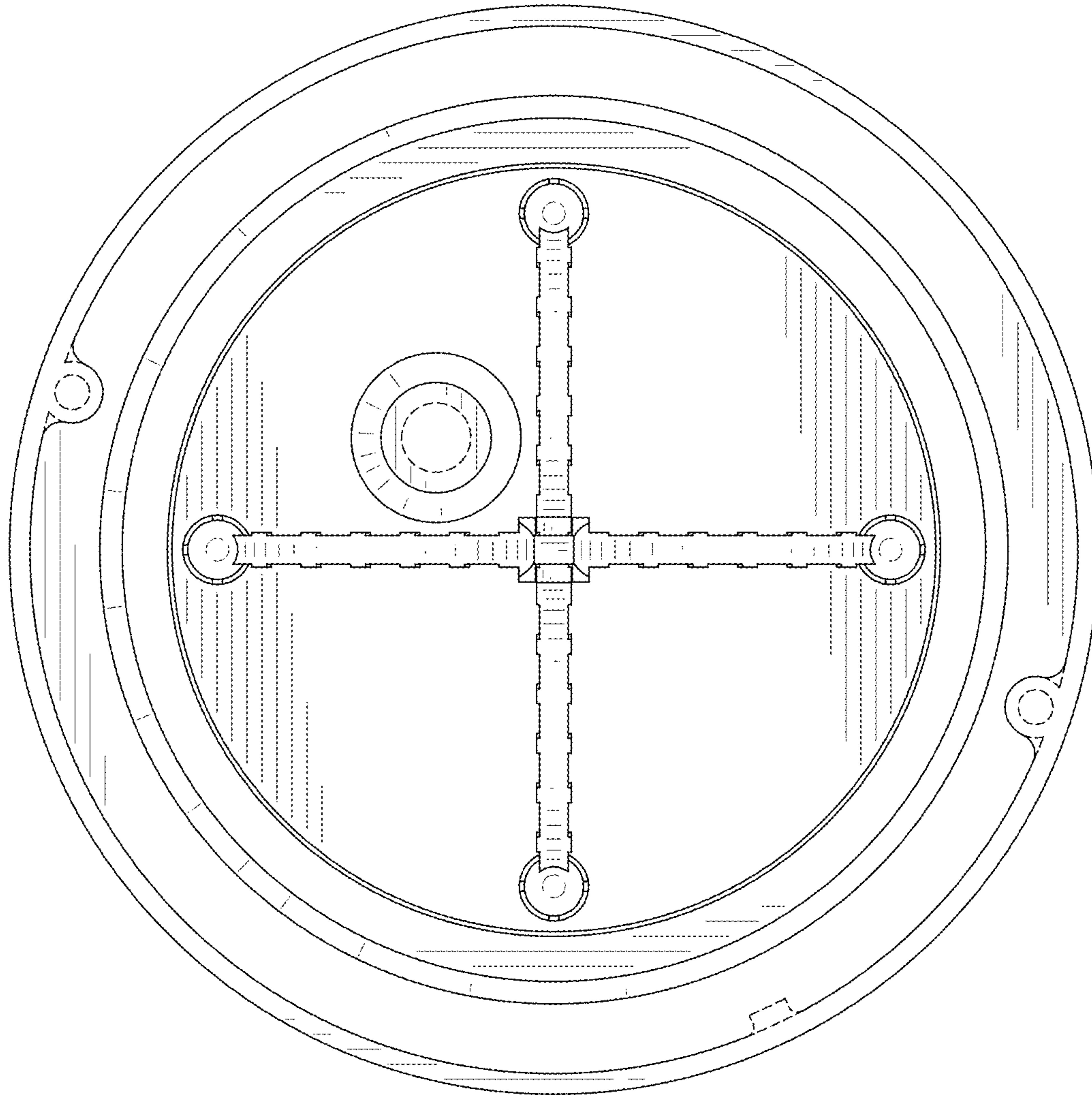


FIG. 8