



US00D905885S

(12) **United States Design Patent**  
**Kotsis et al.**

(10) **Patent No.:** **US D905,885 S**

(45) **Date of Patent:** **\*\* Dec. 22, 2020**

(54) **FLASHLIGHT**

(71) Applicant: **Energizer Brands, LLC**, St. Louis, MO (US)

(72) Inventors: **Angelo Kotsis**, Marrickville (AU);  
**James Edward Stephenson**, Sydney (AU)

(73) Assignee: **Energizer Brands, LLC**, St. Louis, MO (US)

(\*\*) Term: **15 Years**

(21) Appl. No.: **29/677,521**

(22) Filed: **Jan. 22, 2019**

(51) **LOC (12) Cl.** ..... **26-02**

(52) **U.S. Cl.**  
USPC ..... **D26/49**

(58) **Field of Classification Search**  
USPC ..... D26/37-38, 40-42, 46, 49-50  
CPC ..... F21L 2003/00; F21L 4/00; F21L 4/005;  
F21L 4/02; F21L 4/022; F21L 4/025;  
F21L 4/027; F21L 4/04; F21L 4/045;  
F21L 4/08; F21L 4/085; F21L 2005/00;  
F21L 14/02

See application file for complete search history.

(56) **References Cited**

**U.S. PATENT DOCUMENTS**

- 5,528,472 A \* 6/1996 Maglica ..... F21L 4/005  
200/60
- 6,474,834 B2 \* 11/2002 Lai ..... F21L 4/00  
200/302.2
- 6,585,391 B1 \* 7/2003 Koch ..... F21V 23/0464  
362/205
- 6,612,716 B2 \* 9/2003 Kwak ..... F21L 4/005  
362/202
- 6,814,465 B2 \* 11/2004 Forsythe ..... F21L 4/005  
362/109

- 7,069,926 B2 \* 7/2006 Skellern ..... B05B 15/00  
128/200.11
- 7,070,297 B1 \* 7/2006 Muhl nickel, Jr. .... F21L 4/005  
362/202
- 7,147,343 B2 \* 12/2006 Chapman ..... F21L 4/027  
362/187
- 7,152,994 B2 \* 12/2006 Huang ..... F21L 4/005  
362/205
- 7,806,555 B2 \* 10/2010 Liu ..... F21V 23/0414  
200/60
- 8,104,915 B1 \* 1/2012 Osterhout ..... F21L 4/005  
362/200
- D659,271 S \* 5/2012 Nguyen ..... D26/49
- D683,877 S \* 6/2013 Brands ..... D26/49
- D719,694 S \* 12/2014 Nawaz ..... D22/117
- 8,919,988 B2 \* 12/2014 Unger ..... F21L 14/02  
362/157
- 9,060,407 B2 \* 6/2015 West ..... G06F 3/0679

(Continued)

*Primary Examiner* — Sheryl Lane

*Assistant Examiner* — Stacey L Hopkins

(74) *Attorney, Agent, or Firm* — Alston & Bird LLC

(57) **CLAIM**

The ornamental design for a flashlight, as shown and described.

**DESCRIPTION**

FIG. 1 is a top front perspective view of a flashlight according to the present design.

FIG. 2 is a bottom rear perspective view of the flashlight of FIG. 1.

FIG. 3 is a front view the flashlight of FIG. 1.

FIG. 4 is a back view of the flashlight of FIG. 1.

FIG. 5 is a left side view of the flashlight of FIG. 1.

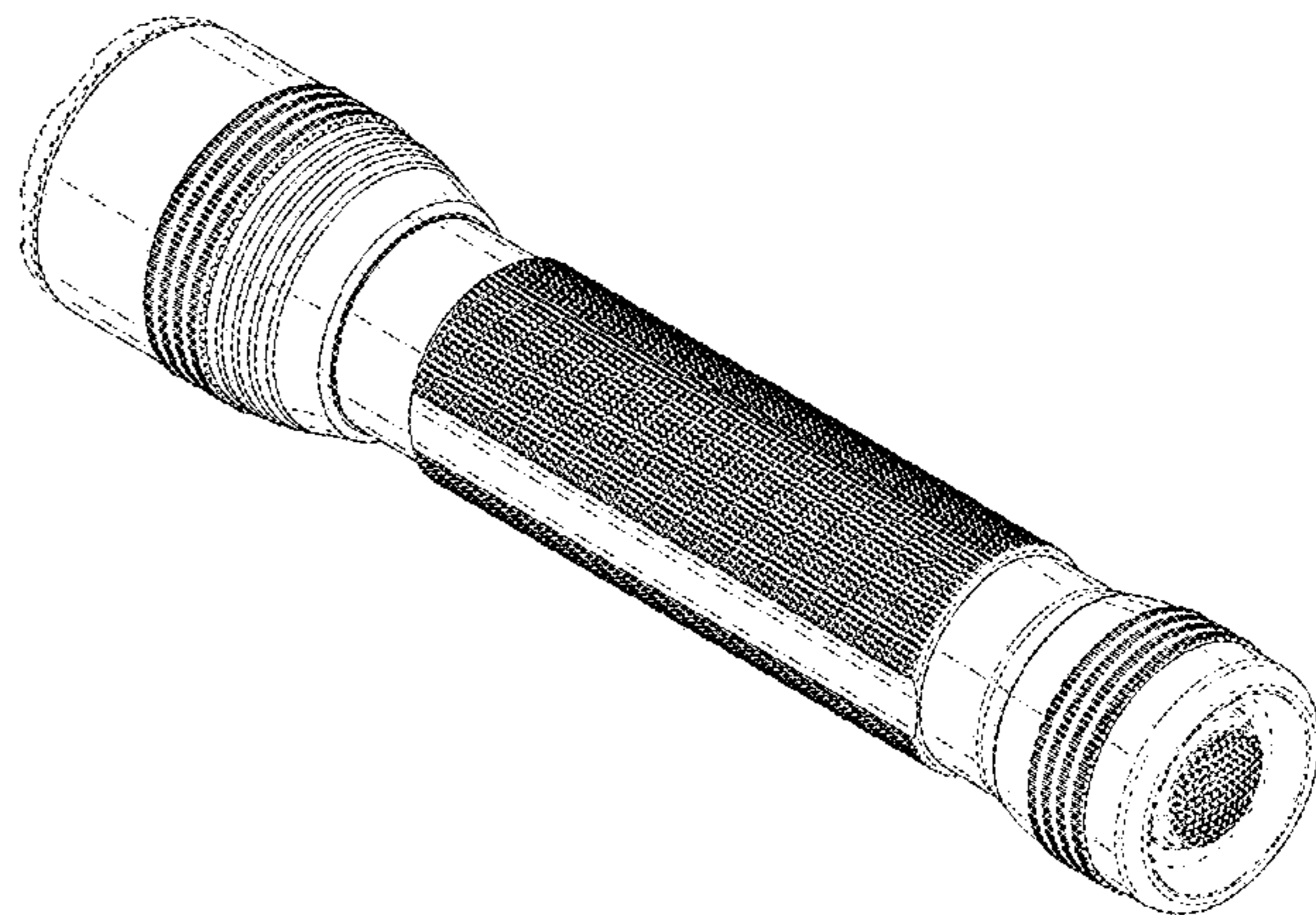
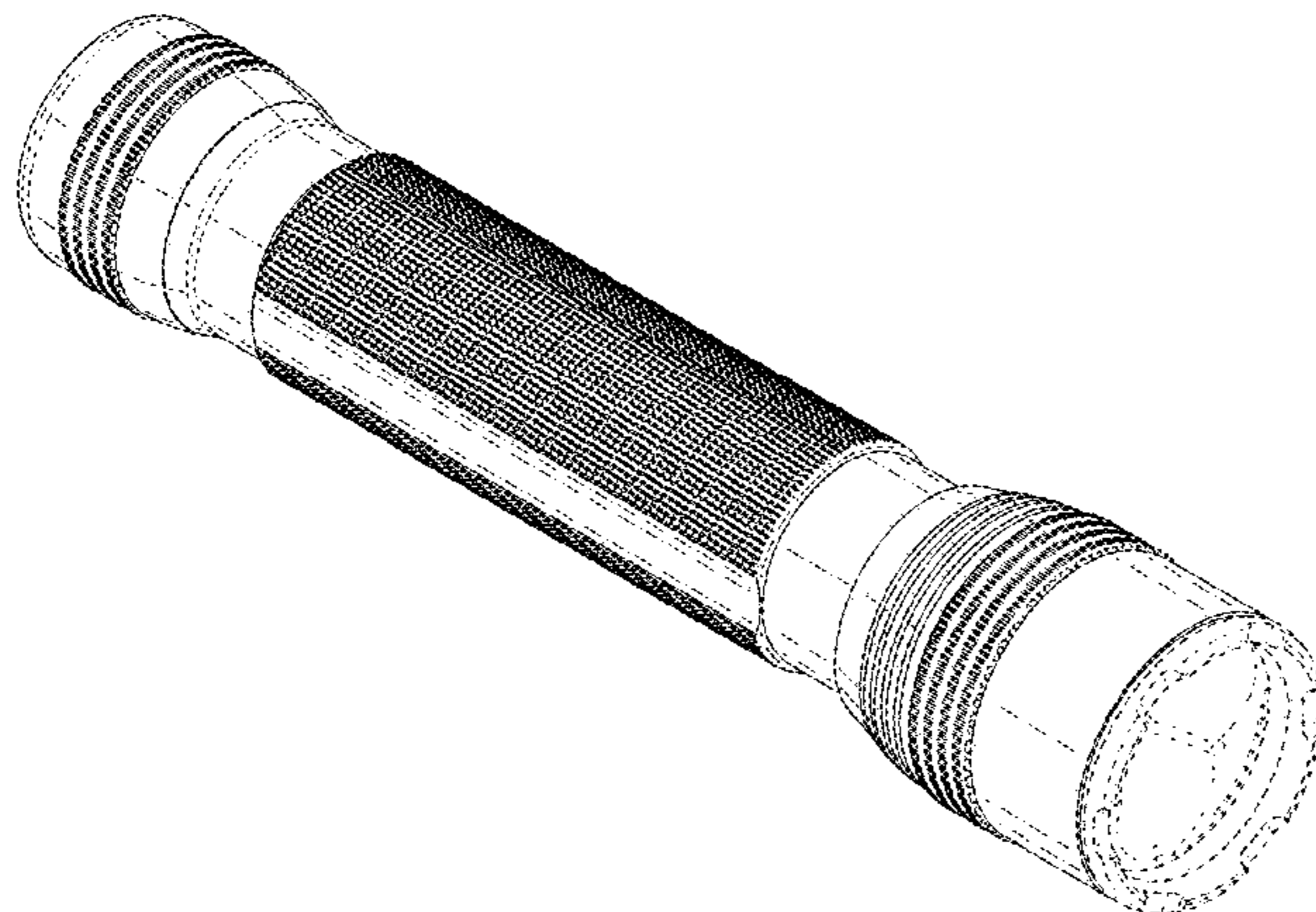
FIG. 6 is a right side view of the flashlight of FIG. 1.

FIG. 7 is a top view of the flashlight of FIG. 1; and,

FIG. 8 is a bottom view of the flashlight of FIG. 1.

The broken lines shown are provided for the purpose of illustrating environmental structure and form no part of the claimed design.

**1 Claim, 7 Drawing Sheets**



(56)

## References Cited

## U.S. PATENT DOCUMENTS

D734,520 S \* 7/2015 Ma ..... D26/49  
D736,975 S \* 8/2015 Tang ..... D22/117  
D744,137 S \* 11/2015 Ma ..... D26/49  
D745,987 S \* 12/2015 Nawaz ..... D22/117  
9,247,598 B2 \* 1/2016 Maglica ..... H05B 45/00  
D757,319 S \* 5/2016 Green ..... D26/49  
D769,494 S \* 10/2016 Bertken ..... D26/49  
D783,193 S \* 4/2017 Kao ..... D26/49  
D798,482 S \* 9/2017 O'Doherty ..... D26/49  
D802,193 S \* 11/2017 Green ..... D26/49  
D814,088 S \* 3/2018 Cao ..... D26/49  
9,933,146 B2 \* 4/2018 Maglica ..... F21L 4/00  
D818,622 S \* 5/2018 Kunzendorf ..... D26/49  
D827,894 S \* 9/2018 Huang ..... D26/49  
10,104,733 B2 \* 10/2018 Qiu ..... H05B 45/10  
D844,874 S \* 4/2019 Eichelberger ..... D26/49  
D846,783 S \* 4/2019 Eichelberger ..... D26/49  
10,260,688 B2 \* 4/2019 Horne ..... F21L 4/027  
10,302,291 B2 \* 5/2019 Parsons ..... F21V 23/0421  
10,317,020 B1 \* 6/2019 McChesney ..... F21L 4/027  
D861,215 S \* 9/2019 Sharrah ..... D26/49  
D865,250 S \* 10/2019 Qiu ..... D26/49  
D866,031 S \* 11/2019 Muyschondt ..... D26/49  
D866,830 S \* 11/2019 Pan ..... D26/49  
D879,345 S \* 3/2020 Chen ..... D26/49  
D881,432 S \* 4/2020 Windom ..... D26/49  
D884,233 S \* 5/2020 Petrucelli ..... D26/38  
D884,943 S \* 5/2020 Petrucelli ..... D26/38  
D884,946 S \* 5/2020 Muyschondt ..... D26/49

\* cited by examiner

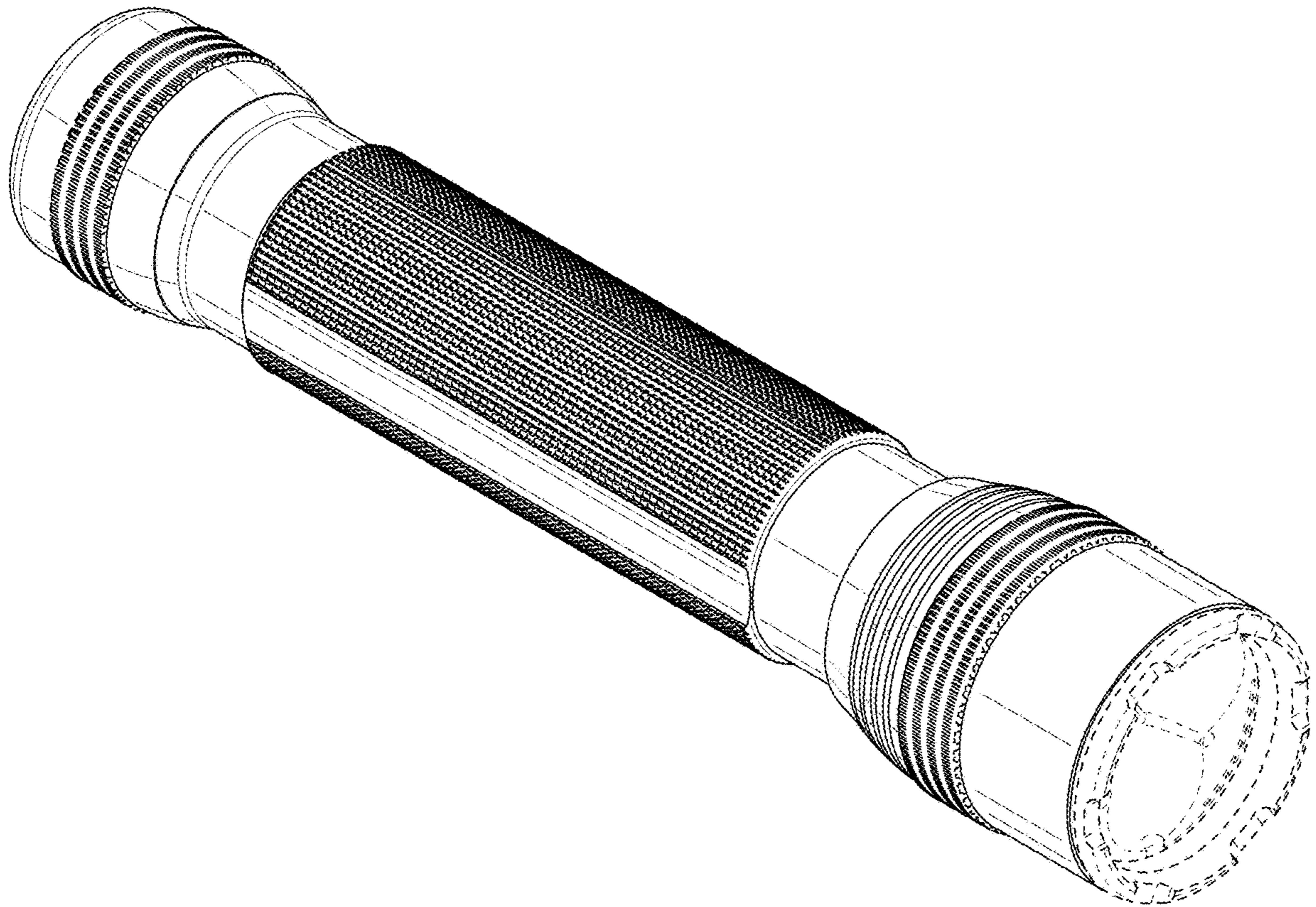


FIG. 1

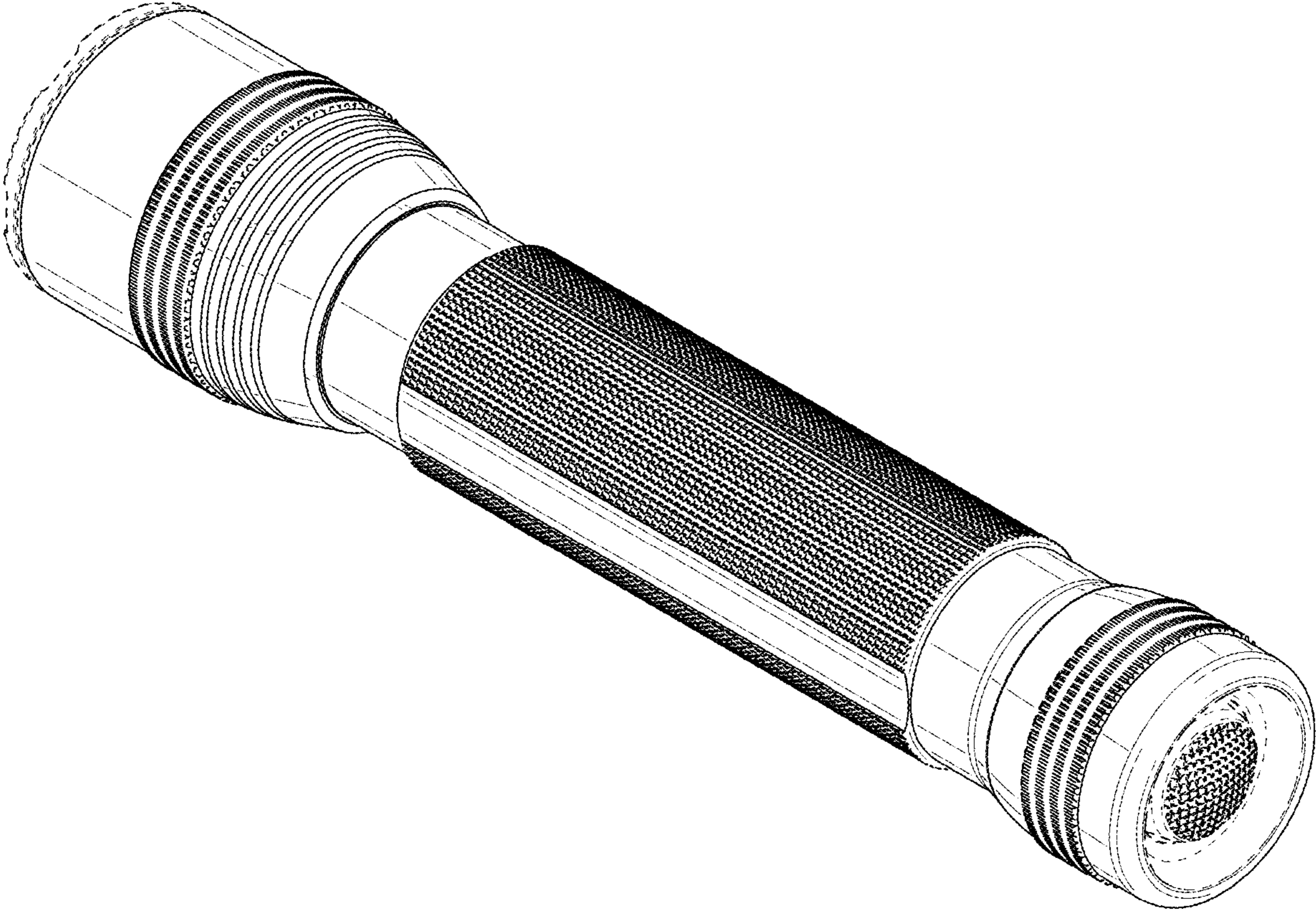


FIG. 2

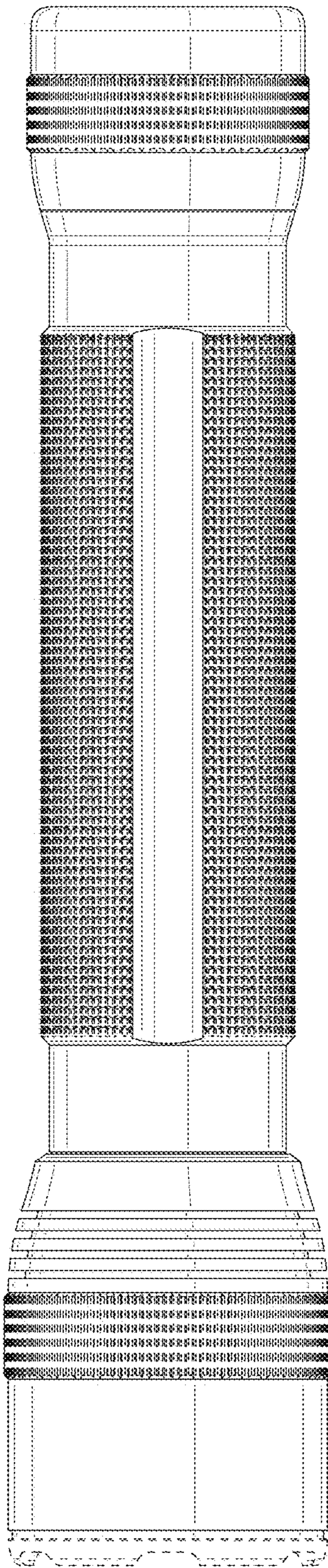


FIG. 3

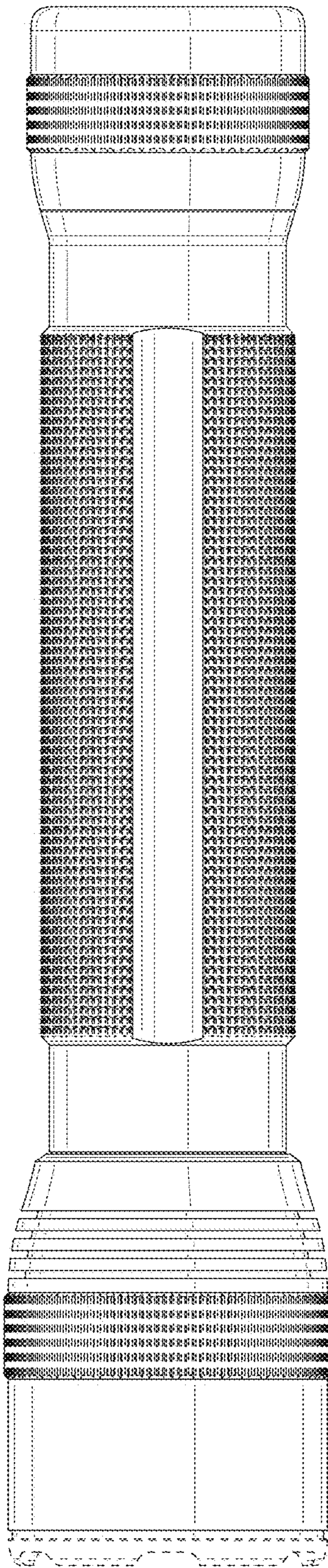


FIG. 4

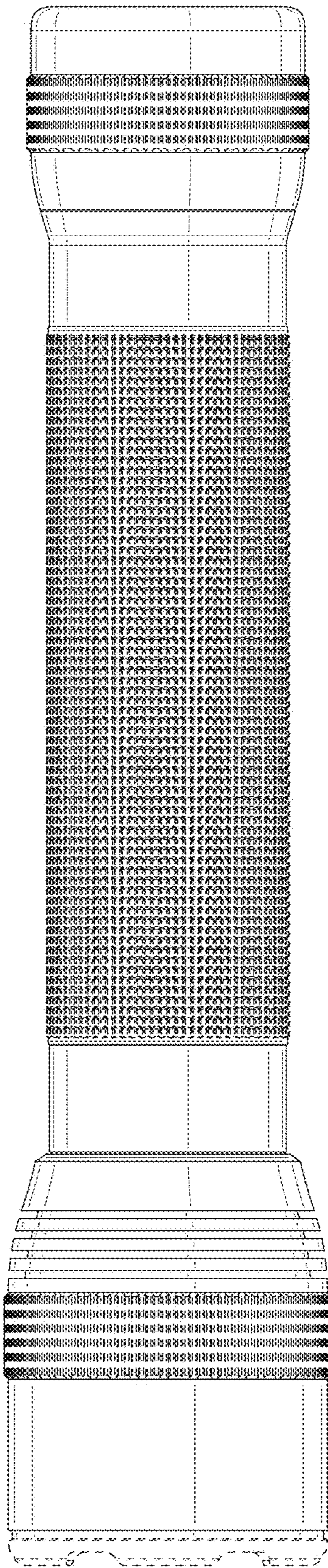


FIG. 5

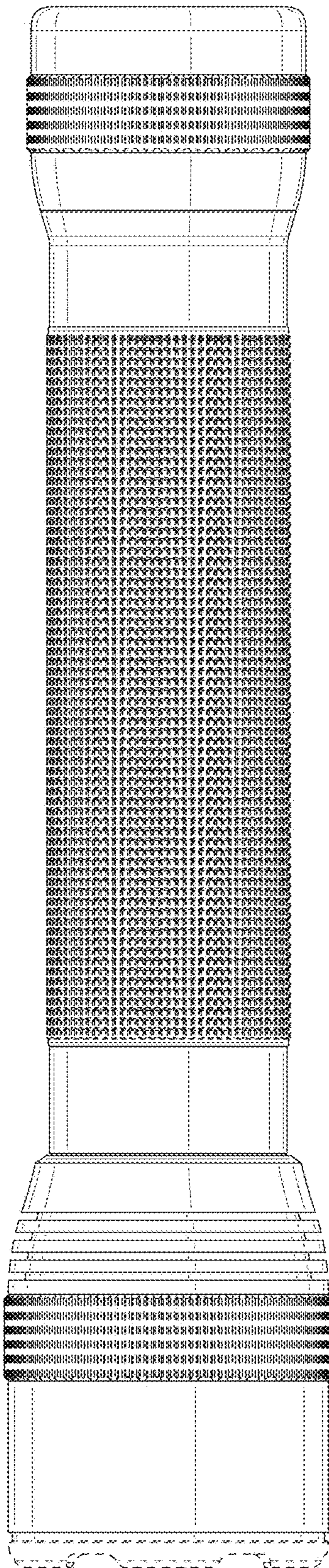


FIG. 6



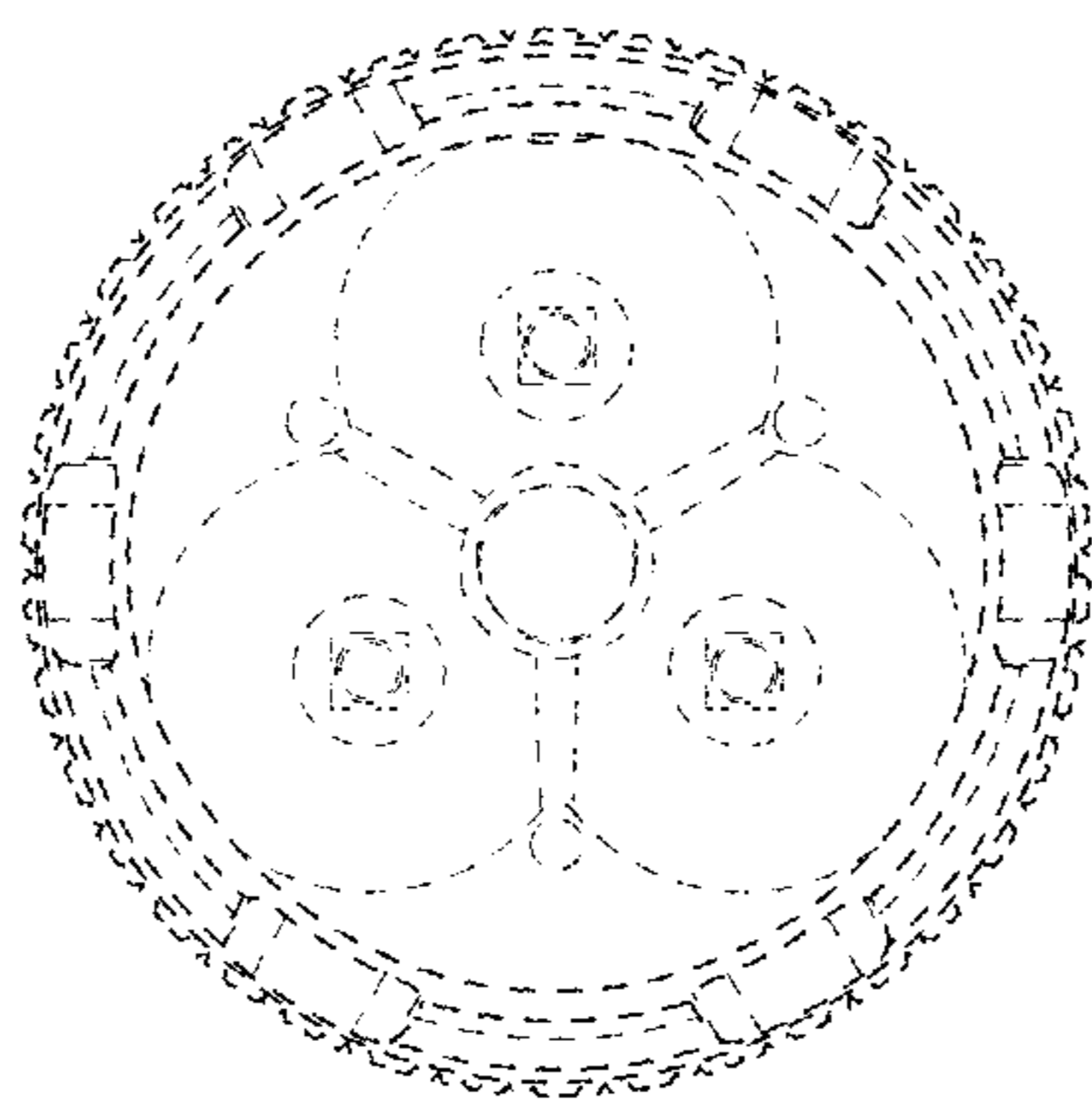


FIG. 7

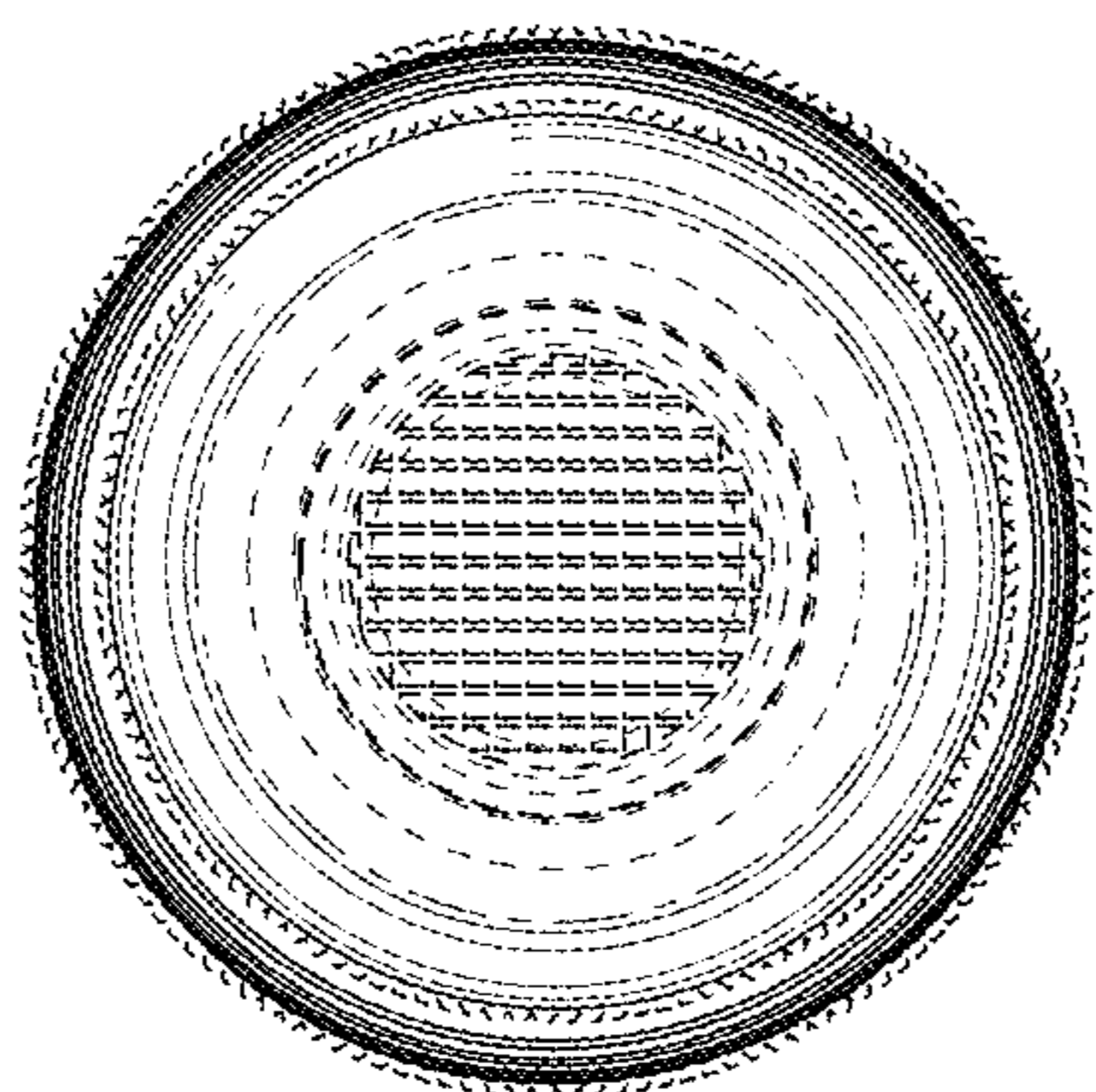


FIG. 8