



US00D905884S

(12) **United States Design Patent** (10) **Patent No.:** **US D905,884 S**  
**Bao** (45) **Date of Patent:** **\*\* Dec. 22, 2020**

(54) **WORK LAMP**

D544,124 S \* 6/2007 Chan ..... D26/43  
D563,011 S \* 2/2008 Major ..... D26/61  
D565,218 S \* 3/2008 Chien ..... D26/43

(71) Applicant: **YUYAO YUCHANG ELECTRICAL APPLIANCE CO., LTD.**, Zhejiang (CN)

(Continued)

(72) Inventor: **Yong Bao**, Zhejiang (CN)

FOREIGN PATENT DOCUMENTS

CN 201830321445 \* 12/2018

(73) Assignee: **YUYAO YUCHANG ELECTRICAL APPLIANCE CO., LTD.**, Zhejiang (CN)

OTHER PUBLICATIONS

(\*\*) Term: **15 Years**

alibaba.com: USB Rechargeable Magnetic 360 Degree Flexible Gooseneck Aluminium Flashlight. Undated online product page. Retrieved on Oct. 7, 2020 from <https://www.alibaba.com/product-detail/USB-Rechargeable-Magnetic-360-Degree-Flexible...> (Year: 2020).\*

(Continued)

(21) Appl. No.: **29/682,805**

(22) Filed: **Mar. 7, 2019**

(51) **LOC (12) Cl.** ..... **26-02**

*Primary Examiner* — Sheryl Lane

(52) **U.S. Cl.**

*Assistant Examiner* — Stacey L Hopkins

USPC ..... **D26/43**

(74) *Attorney, Agent, or Firm* — JCIPRNET

(58) **Field of Classification Search**

(57) **CLAIM**

USPC ..... D26/37-39, 41-44, 46, 49, 51, 61, 63  
CPC ..... F21V 21/145; F21V 21/26; F21V 21/30;  
A44C 15/0015; F21L 4/02; F21L 4/04;  
F21L 4/08

The ornamental design for a work lamp, as shown and described.

See application file for complete search history.

**DESCRIPTION**

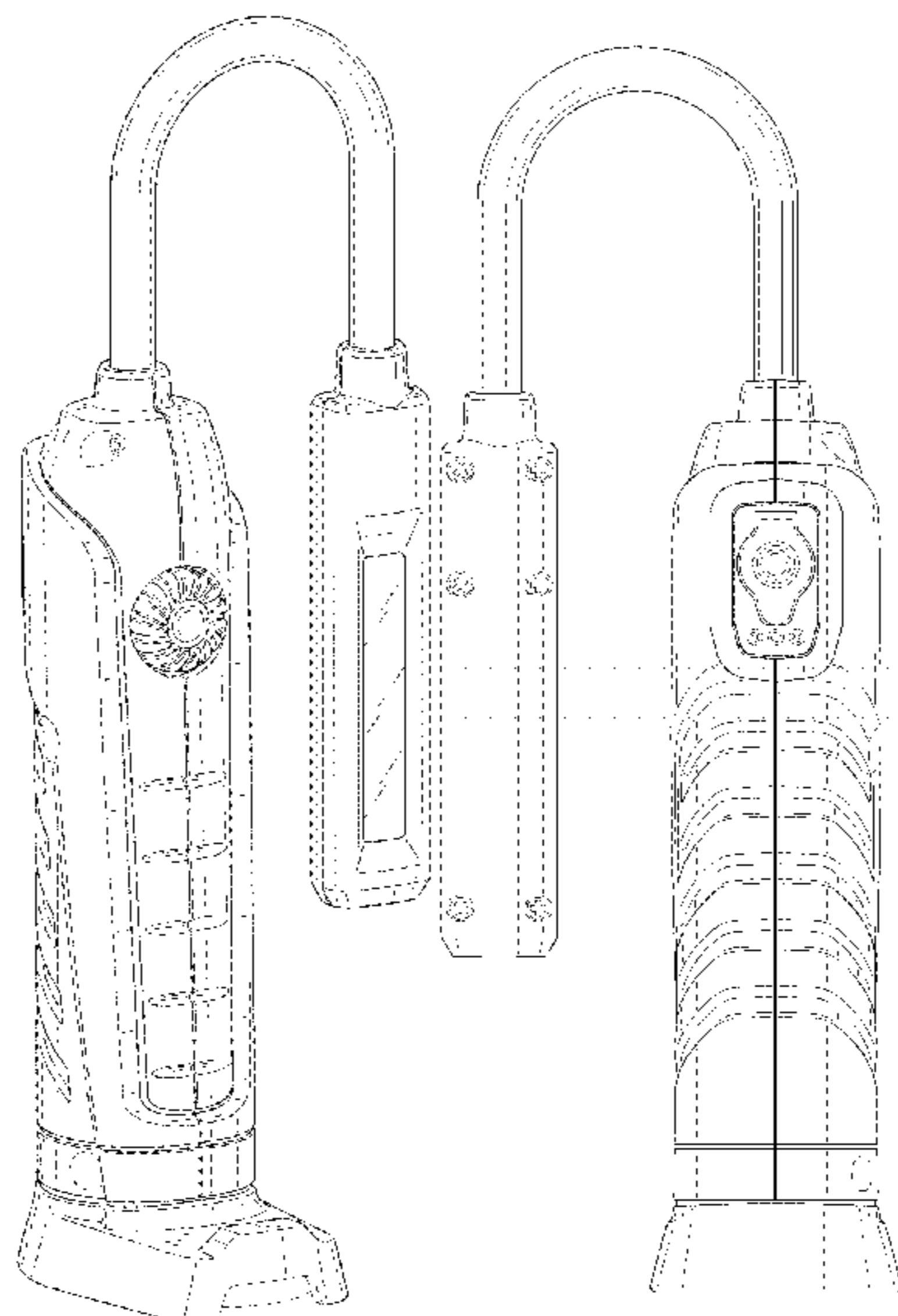
(56) **References Cited**

FIG. 1 is a perspective view of a work lamp showing my new design;  
FIG. 2 is a front view thereof;  
FIG. 3 is a rear view thereof;  
FIG. 4 is a left side view thereof;  
FIG. 5 is a right side view thereof;  
FIG. 6 is an enlarged top view thereof;  
FIG. 7 is an enlarged bottom view thereof; and,  
FIG. 8 is a perspective view thereof with the bendable portion slightly straightened and the hook rotated out.  
The dashed broken lines show unclaimed portions of the article and form no part of the claimed design. The dot-dash broken lines in FIG. 3 represent the boundary of the claimed design, and form no part thereof.

U.S. PATENT DOCUMENTS

D374,734 S \* 10/1996 Esposito ..... D26/43  
D377,840 S \* 2/1997 Chang ..... D26/43  
D403,453 S \* 12/1998 Shiau ..... D26/43  
D479,888 S \* 9/2003 Sharrah ..... D26/37  
D489,839 S \* 5/2004 Opolka ..... D26/43  
D504,535 S \* 4/2005 Shiu ..... D26/60  
6,874,908 B2 \* 4/2005 Sharrah ..... F21L 4/027  
362/119  
D515,722 S \* 2/2006 Opolka ..... D26/62  
D518,212 S \* 3/2006 Shiu ..... D26/43  
D522,679 S \* 6/2006 Hodgson ..... D26/60  
D524,969 S \* 7/2006 Shiu ..... D26/43  
D536,116 S \* 1/2007 Sharrah ..... D26/43

**1 Claim, 8 Drawing Sheets**



(56)

References Cited

U.S. PATENT DOCUMENTS

D574,100 S \* 7/2008 Leen ..... D26/60  
 D590,976 S \* 4/2009 Levine ..... D26/60  
 7,563,094 B2 \* 7/2009 Yang ..... F23Q 2/167  
 431/153  
 D607,129 S \* 12/2009 Levine ..... D26/43  
 D621,537 S \* 8/2010 Borovicka ..... D26/43  
 D621,981 S \* 8/2010 McAtamney ..... D26/61  
 D632,413 S \* 2/2011 Teufel ..... D26/62  
 D648,883 S \* 11/2011 Levine ..... D26/60  
 8,047,670 B2 \* 11/2011 Patrick ..... F21V 21/145  
 362/98  
 D669,618 S \* 10/2012 Ormsbee ..... D26/62  
 D669,619 S \* 10/2012 Ormsbee ..... D26/62  
 D673,710 S \* 1/2013 Eichelberger ..... D26/62  
 D687,175 S \* 7/2013 Levine ..... D26/43  
 D704,367 S \* 5/2014 Kingston ..... D26/43  
 8,936,375 B2 \* 1/2015 Lau ..... F21V 21/088  
 362/184  
 D753,868 S \* 4/2016 Smith ..... D26/118  
 10,161,606 B2 \* 12/2018 Lafleur ..... A61B 90/35

D841,209 S \* 2/2019 Boyd ..... A61B 46/10  
 D26/62  
 D845,528 S \* 4/2019 Duarte ..... D26/44  
 10,677,431 B2 \* 6/2020 Cacciabeve ..... F21V 21/26

OTHER PUBLICATIONS

amazon.com: Pelican 2365 FlexNeck Light. Date uploaded Sep. 1, 2004 [site visited Oct. 7, 2020]. Retrieved from internet, <<https://www.amazon.com/Pelican-2365-FlexNeck-Light-Black/dp/B00FKLOM26>> (Year: 2004).\*

grainger.com: Ullman Pick-Up Tool, Mag, Flex, 21-<sup>1</sup>/<sub>16</sub>In, 1.5 lb Undated online product page. Retrieved on Oct. 7, 2020 from <[https://www.grainger.com/product/16W185?gclid=EAlalQobChMl45qpvtai7AIVgcDlCh34kgVIEAQYCCABEgLVWPD\\_BwE&cm\\_mmc=PPC:+Google+PLA&ef\\_id=. . .](https://www.grainger.com/product/16W185?gclid=EAlalQobChMl45qpvtai7AIVgcDlCh34kgVIEAQYCCABEgLVWPD_BwE&cm_mmc=PPC:+Google+PLA&ef_id=. . .)> (Year: 2020).\*

eastwood.com: Eastwood COB LED Flexible Work Light. Undated online product page. Retrieved on Oct. 7, 2020 from <<https://www.eastwood.com/eastwood-cob-led-flexible-work-light.html>> (Year: 2020).\*

\* cited by examiner

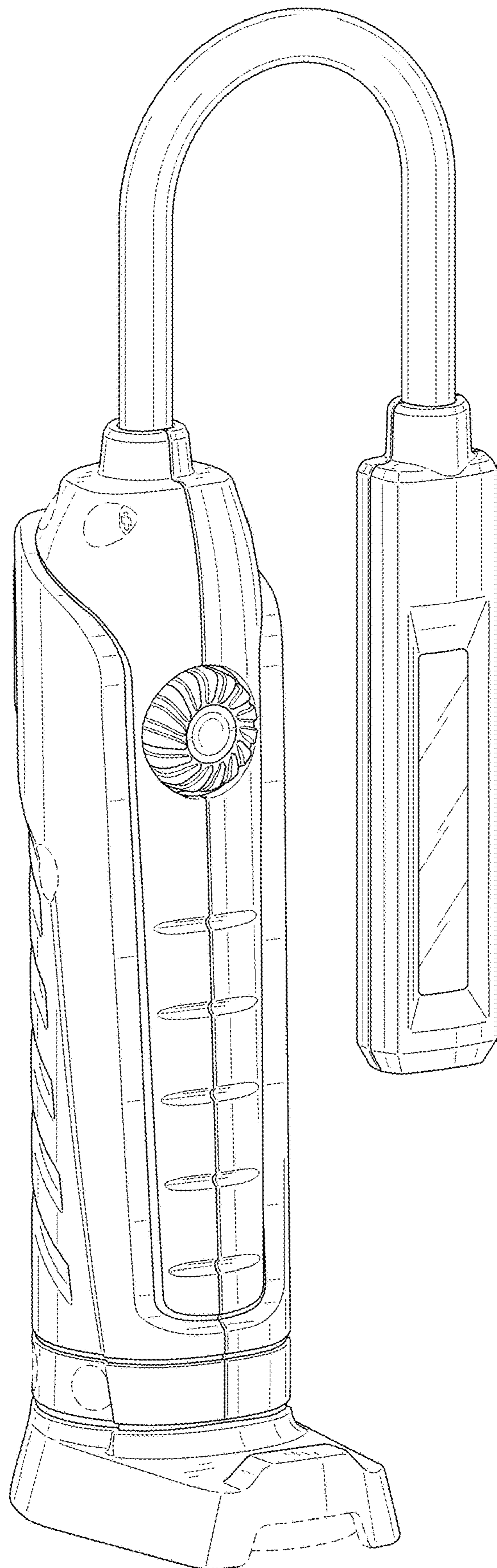


FIG. 1

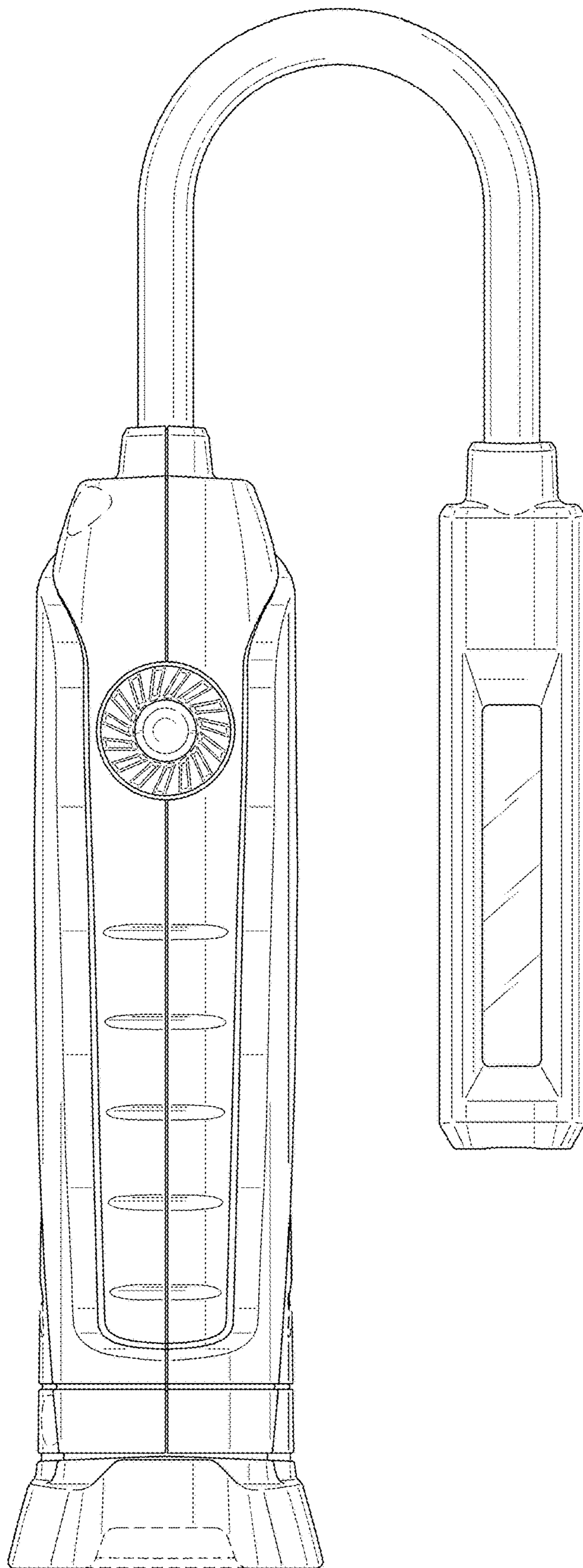


FIG. 2

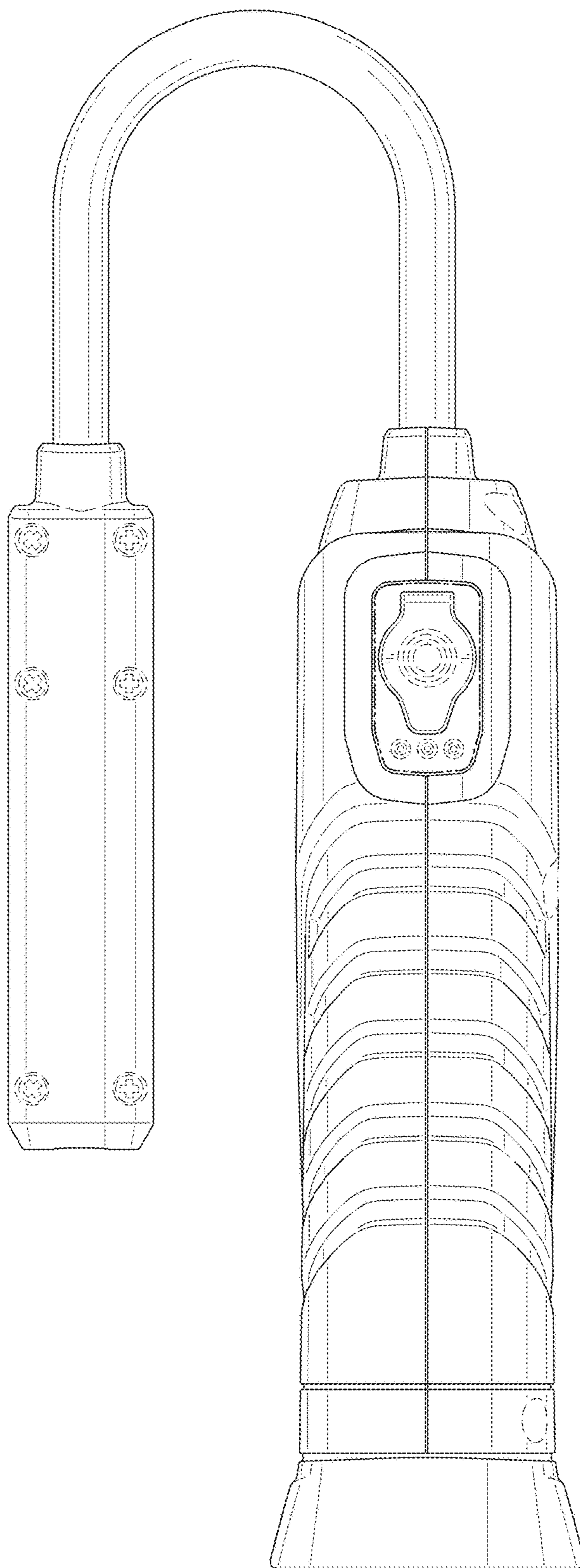


FIG. 3

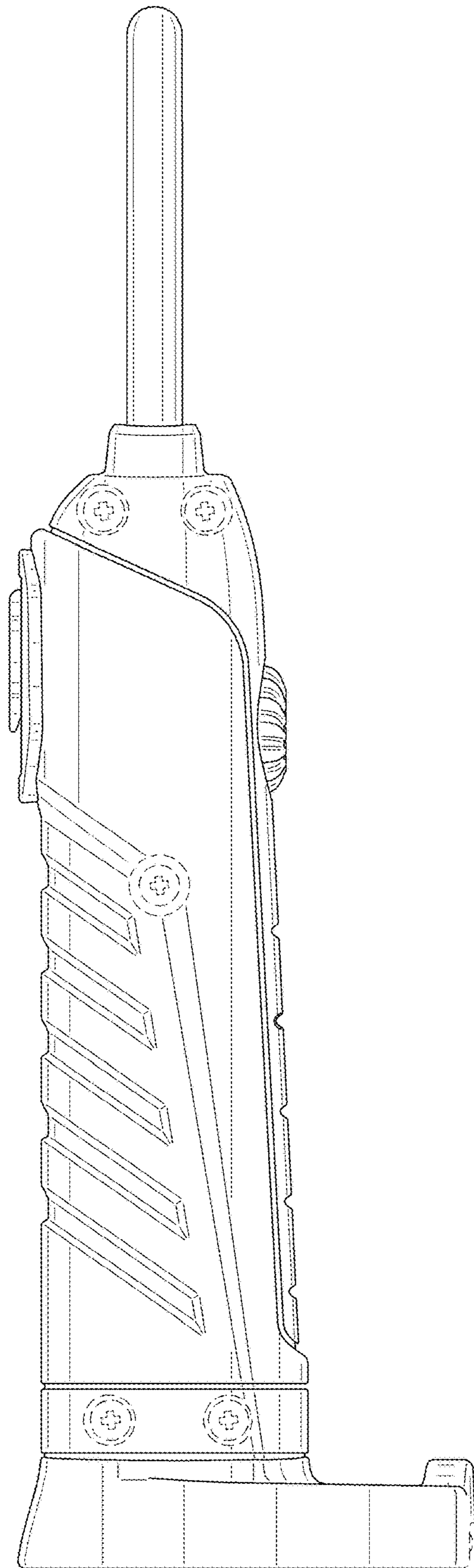


FIG. 4

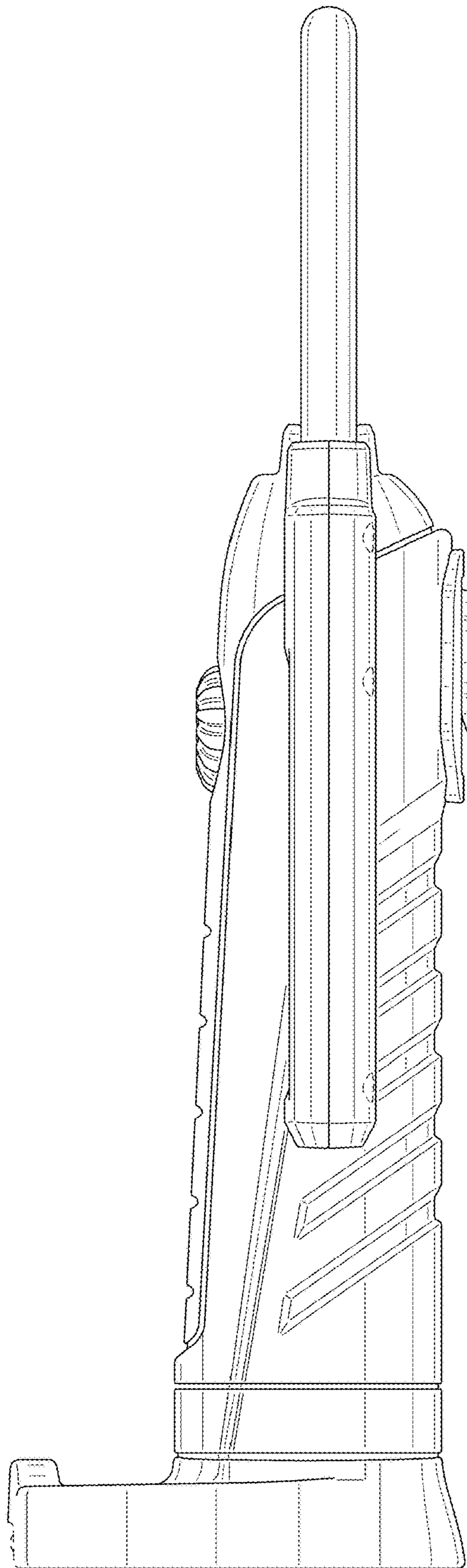


FIG. 5

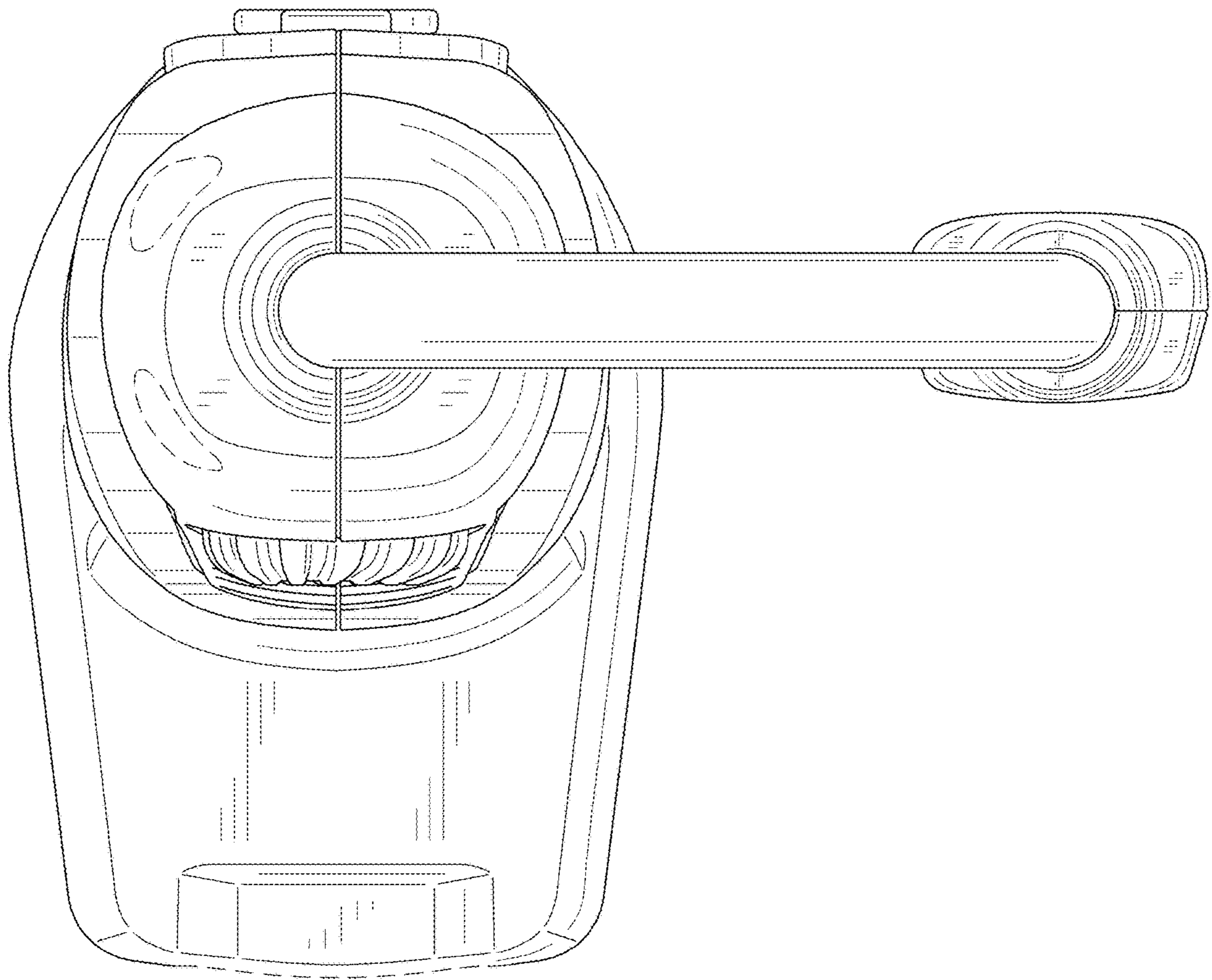


FIG. 6



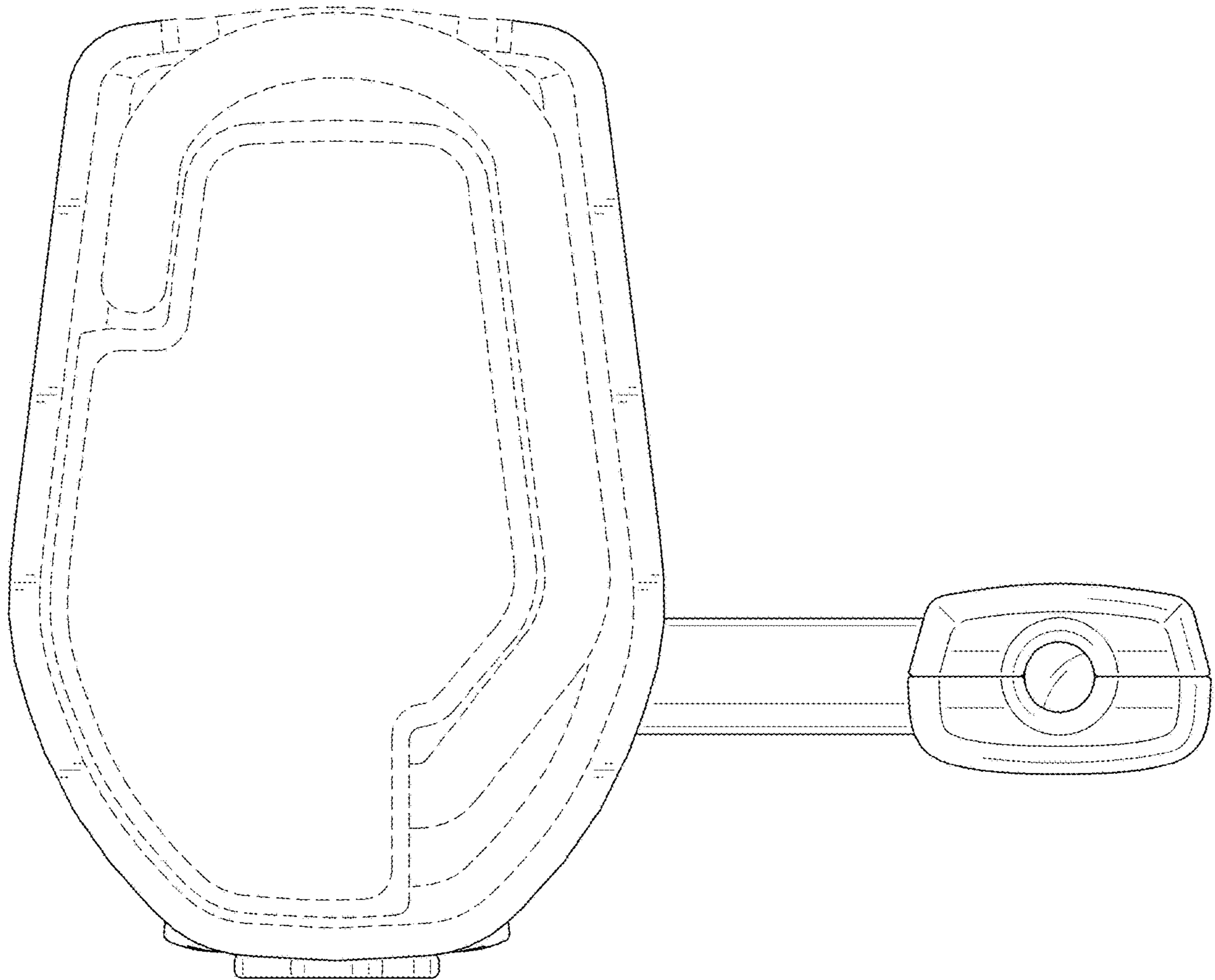


FIG. 7

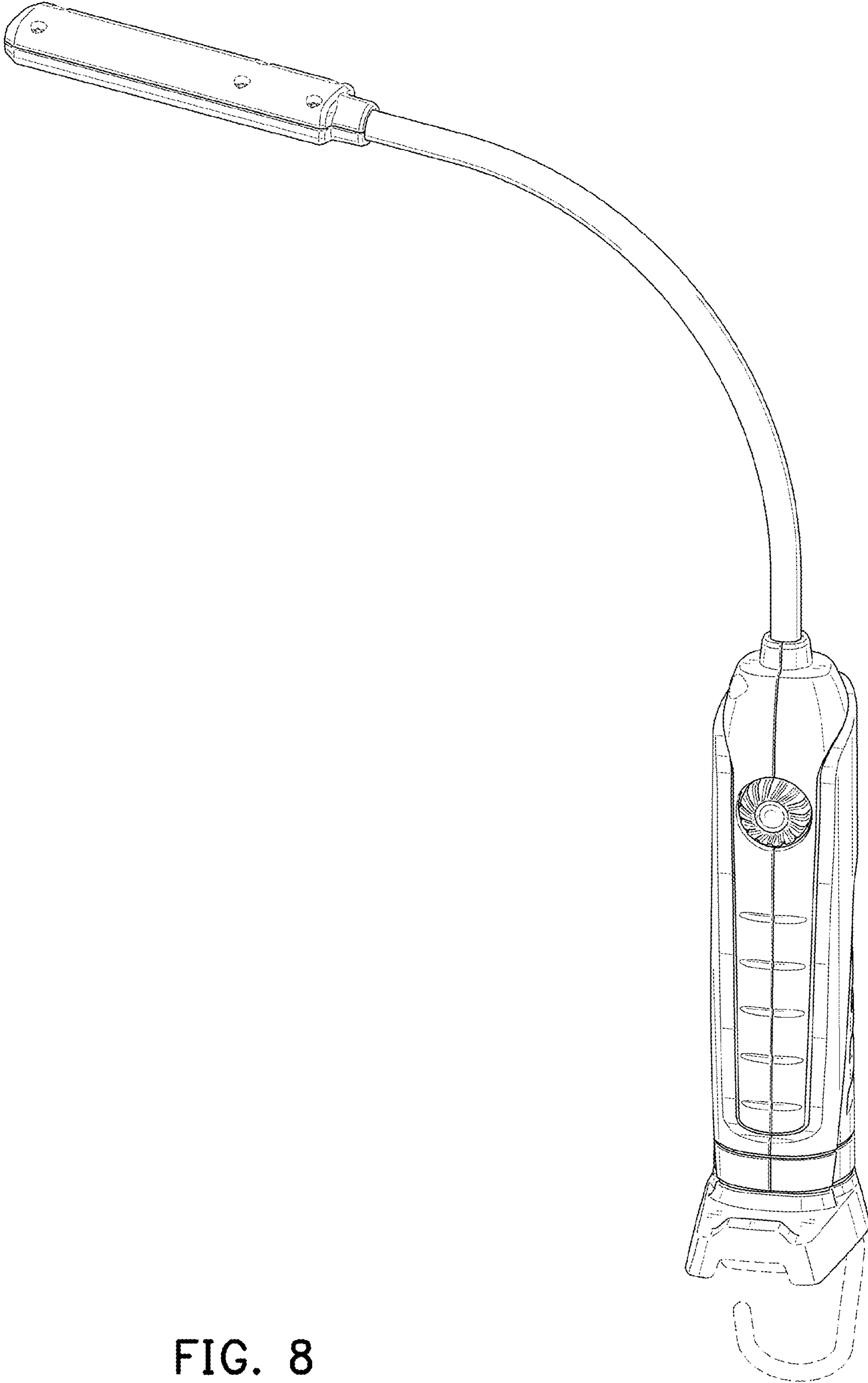


FIG. 8