



US00D905882S

(12) **United States Design Patent** (10) **Patent No.:** **US D905,882 S**
Munakata et al. (45) **Date of Patent:** **** Dec. 22, 2020**

(54) **REAR COMBINATION LAMP FOR AN AUTOMOBILE**

D570,015 S * 5/2008 Hsu D26/28

* cited by examiner

(71) Applicant: **Nissan Motor Co., Ltd.**, Kanagawa (JP)

Primary Examiner — Marcus A Jackson

(74) *Attorney, Agent, or Firm* — Global IP Counselors, LLP

(72) Inventors: **Kenichi Munakata**, Tokyo (JP);
Woonggyu Han, San Diego, CA (US)

(57) **CLAIM**

The ornamental design for a rear combination lamp for an automobile, as shown and described.

(73) Assignee: **Nissan Motor Co., Ltd.**, Yokohama (JP)

DESCRIPTION

(**) Term: **15 Years**

FIG. 1 is a front elevational view of a rear combination lamp for an automobile in accordance with a first embodiment of our new design;

(21) Appl. No.: **29/705,453**

FIG. 2 is a rear elevational view thereof;

(22) Filed: **Sep. 12, 2019**

FIG. 3 is a top plan view thereof;

(30) **Foreign Application Priority Data**

Mar. 13, 2019 (JP) 2019-005211

FIG. 4 is a bottom plan view thereof;

(51) **LOC (12) Cl.** **26-06**

FIG. 5 is a left side elevational view thereof;

(52) **U.S. Cl.**

USPC **D26/28**

FIG. 6 is a right side elevational view thereof; and,

(58) **Field of Classification Search**

USPC D26/28-36, 139

CPC F21S 48/00; F21S 48/10; F21S 48/115;

F21S 48/225; F21S 48/1233; F21S

48/1266; F21S 48/1388; F21S 48/2268;

F21V 21/04; F21V 29/004; B60Q 9/13;

B60Q 9/135; B60Q 9/1375

See application file for complete search history.

FIG. 7 is a front side perspective view thereof.

The rear combination lamp for an automobile is configured to be mounted to an automobile. The mounting structure and support structure of the rear combination lamp for an automobile, shown in broken lines in FIGS. 1 to 7, form no part of the claimed design since the mounting structure and support structure are hidden when the rear combination lamp is mounted to the automobile.

In addition, the appearance of the rear side structures of the rear combination lamp for an automobile as shown in broken lines in FIGS. 2 to 6 is for purpose of illustrating the boundaries of the exterior surface of the rear combination lamp for an automobile, and forms no part of the claimed design. The rear combination lamp has a front lens that is transparent such that features behind the lens are at least partially visible as illustrated.

A second embodiment of our new design includes the mirror image of the rear combination lamp for an automobile shown in FIGS. 1 to 7.

(56) **References Cited**

U.S. PATENT DOCUMENTS

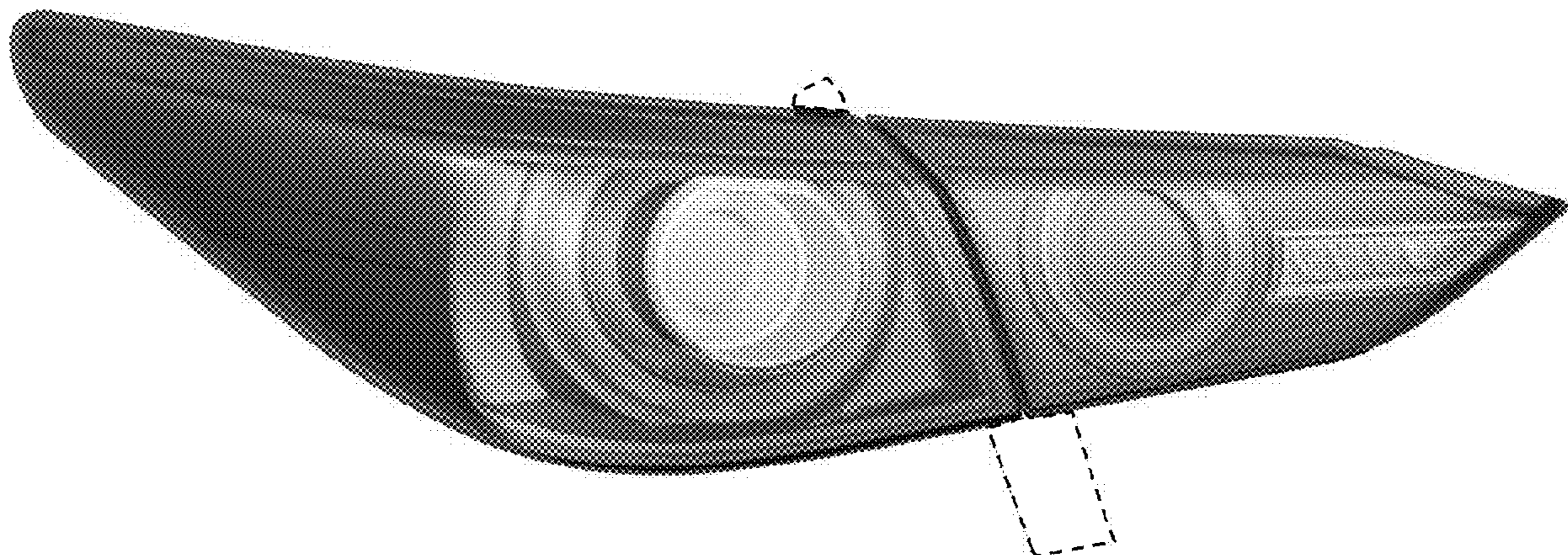
D526,427 S * 8/2006 Morioka D26/28

D550,380 S * 9/2007 Lin D26/28

D561,357 S * 2/2008 Leclercq D26/28

D565,211 S * 3/2008 Haller D26/28

1 Claim, 7 Drawing Sheets



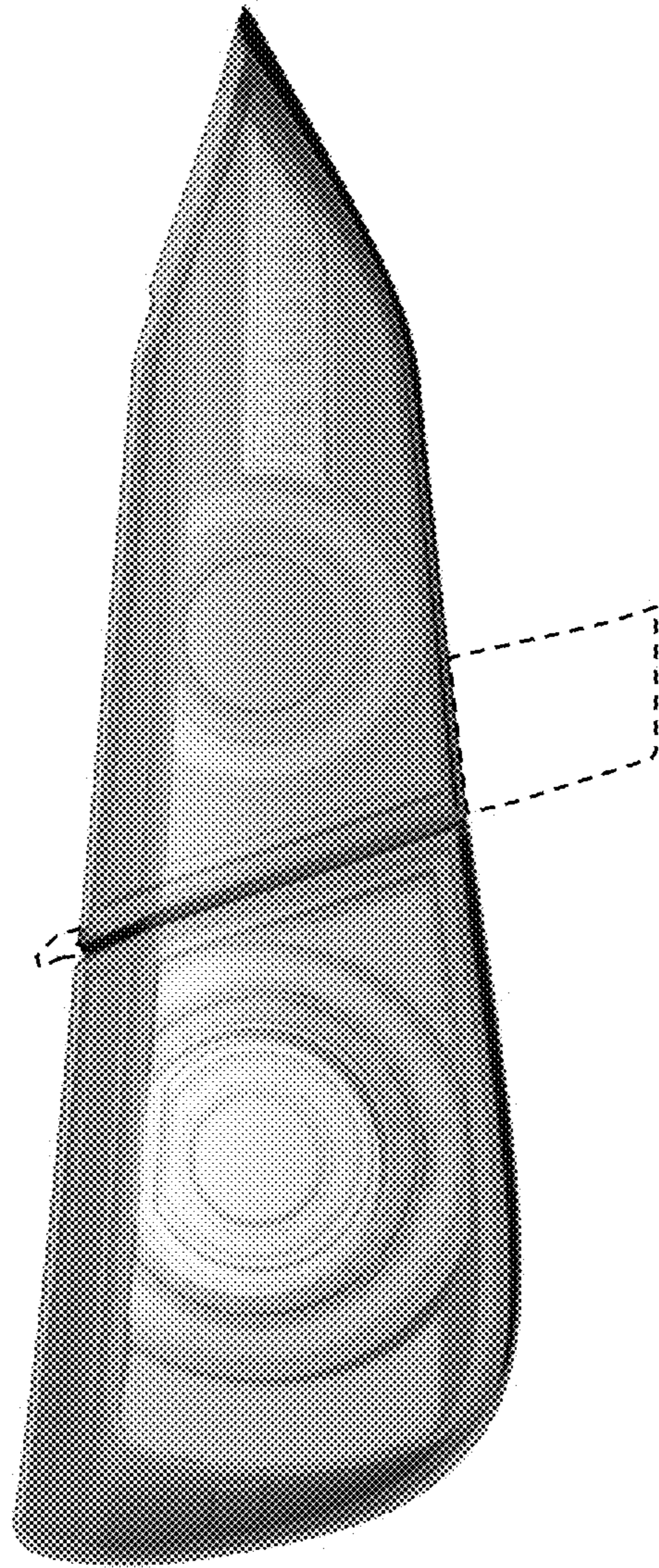


FIG. 1

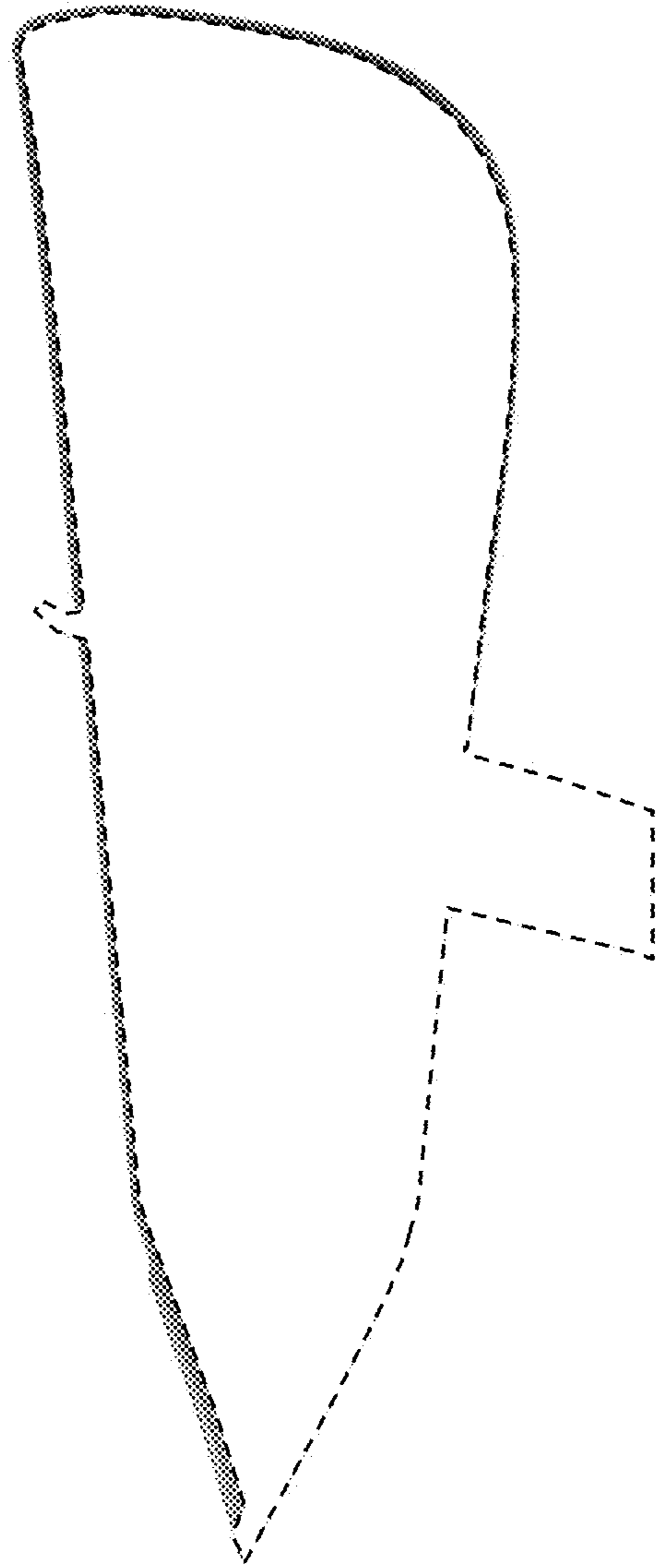


FIG. 2

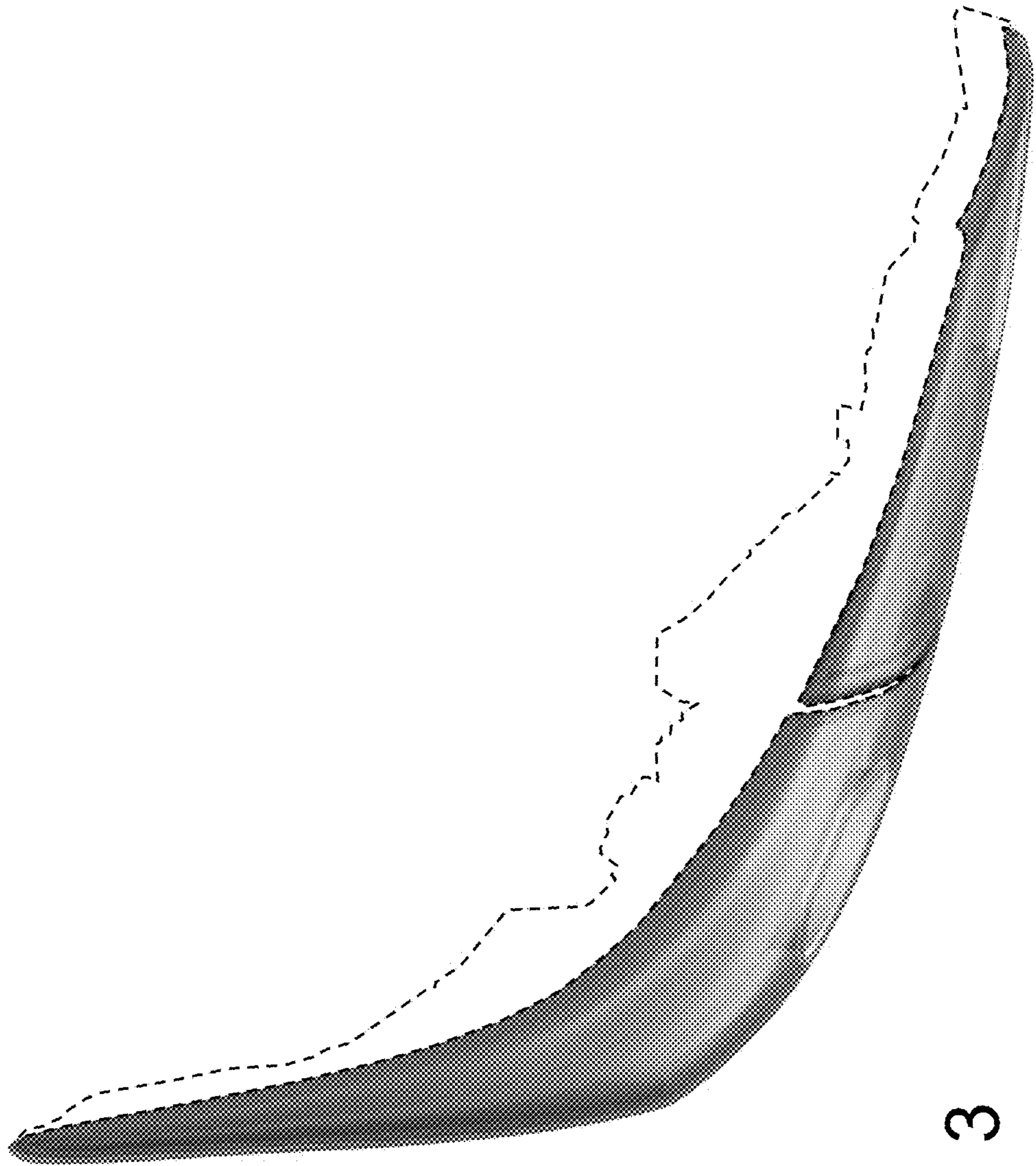


FIG. 3

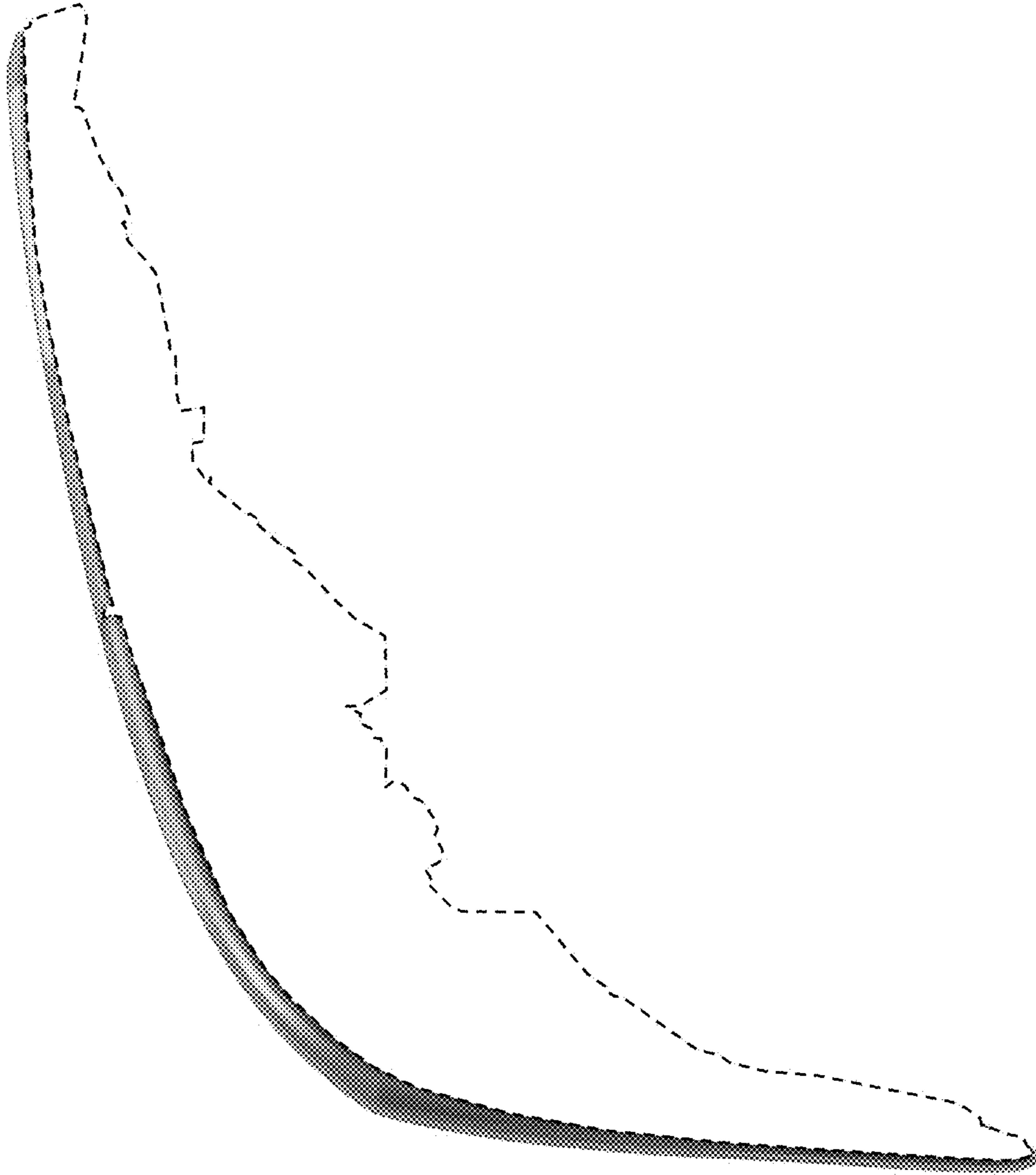


FIG. 4

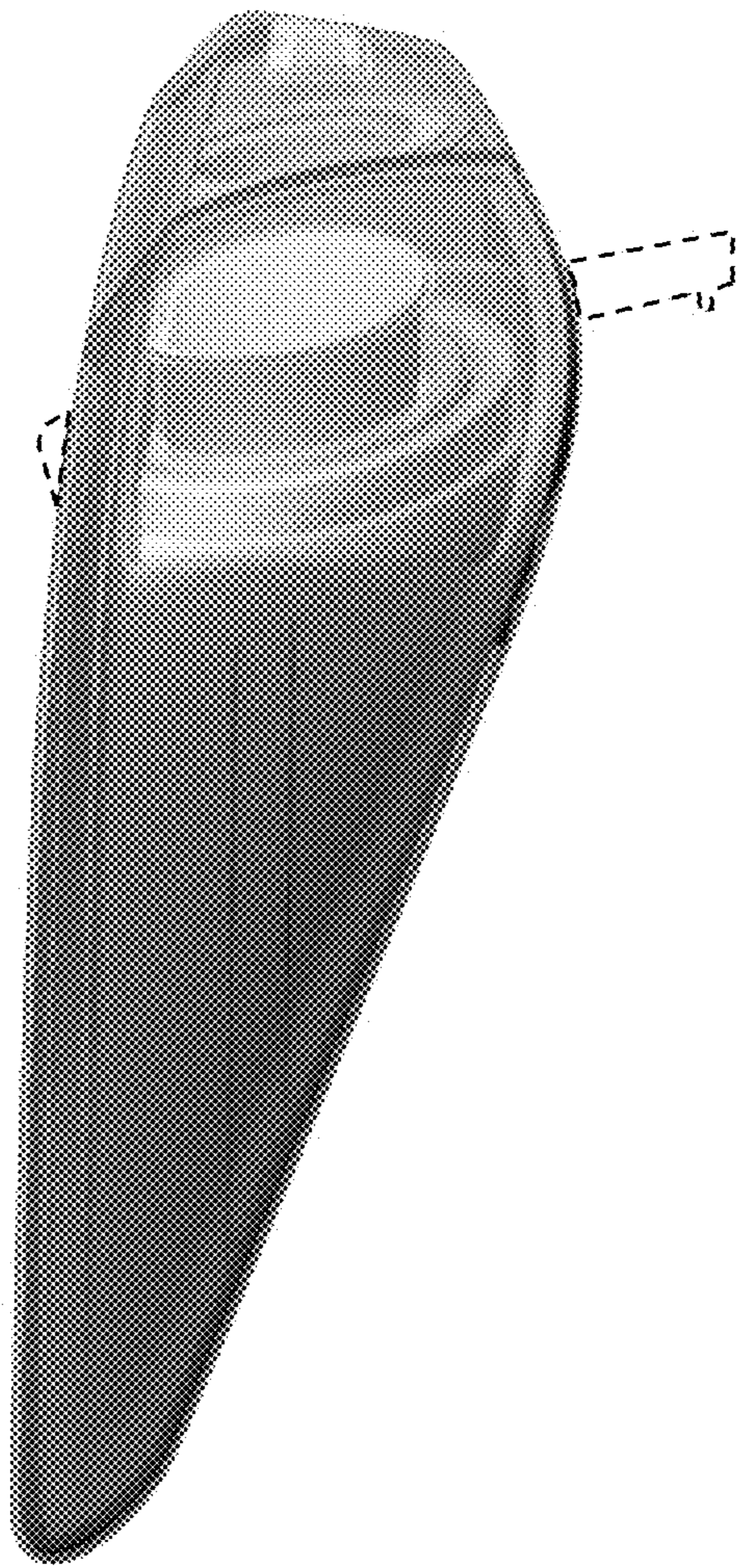


FIG. 5

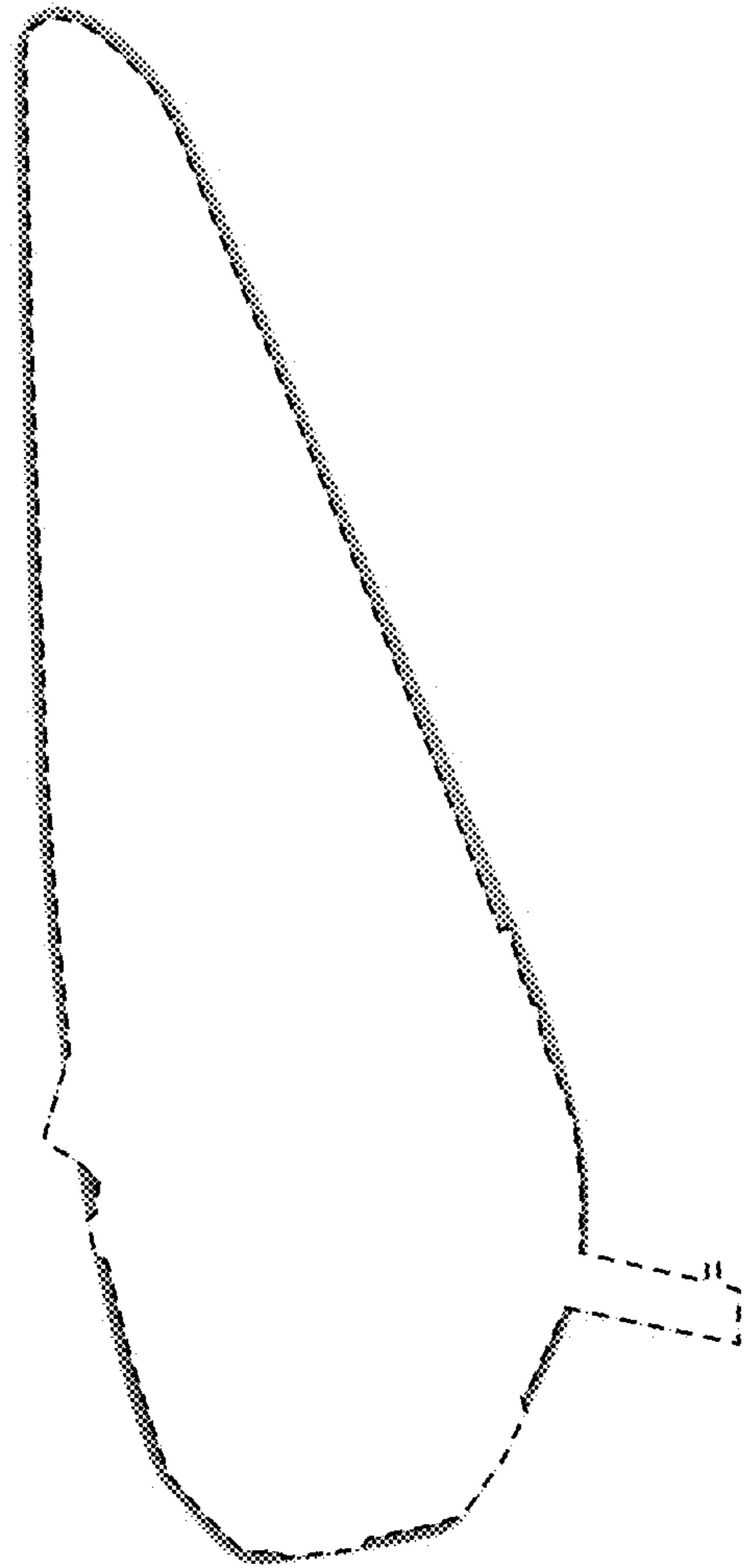


FIG. 6

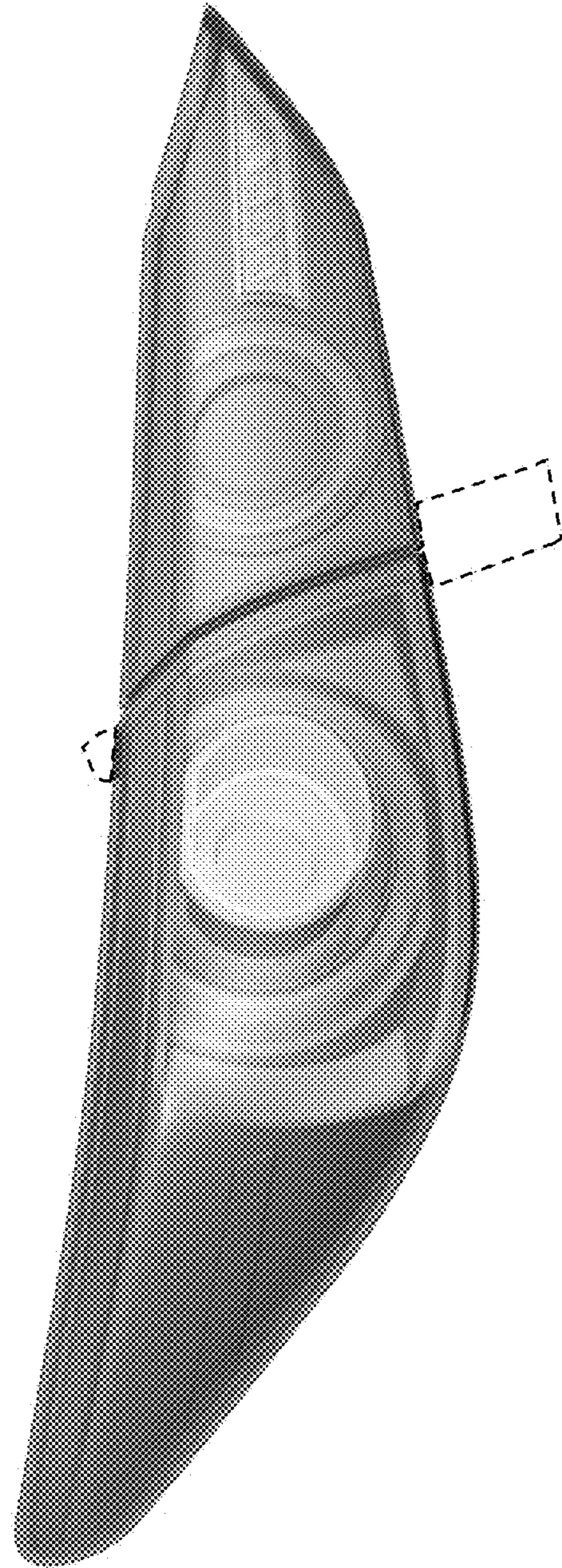


FIG. 7