



US00D905878S

(12) **United States Design Patent**
Finocchiaro

(10) **Patent No.:** **US D905,878 S**

(45) **Date of Patent:** **** Dec. 22, 2020**

(54) **LAMP**

(71) Applicant: **Brown & Watson International Pty Ltd, Knoxfield (AU)**

(72) Inventor: **Mark Finocchiaro, Northcote (AU)**

(73) Assignee: **BROWN & WATSON INTERNATIONAL PTY LTD, Knoxfield (AU)**

(**) Term: **15 Years**

(21) Appl. No.: **29/705,020**

(22) Filed: **Sep. 9, 2019**

(30) **Foreign Application Priority Data**

May 2, 2019 (AU) 201912376

(51) **LOC (12) Cl.** **26-06**

(52) **U.S. Cl.**
USPC **D26/28**

(58) **Field of Classification Search**
USPC D26/28-36, 139
CPC F21S 48/00; F21S 48/10; F21S 48/115;
F21S 48/225; F21S 48/1233; F21S
48/1266; F21S 48/1388; F21S 48/2268;
F21V 21/04; F21V 29/004; B60Q 9/13;
B60Q 9/135; B60Q 9/1375

See application file for complete search history.

(56) **References Cited**

U.S. PATENT DOCUMENTS

D747,516 S *	1/2016	Yang	D26/28
D775,381 S *	12/2016	Jacq	D26/28
D780,350 S *	2/2017	Dennis	D26/28
D787,717 S *	5/2017	Jacq	D26/28
D788,334 S *	5/2017	Jacq	D26/28
D793,593 S *	8/2017	Chen	D26/28
D794,844 S *	8/2017	Leban	D26/28
D799,080 S *	10/2017	Dennis	D26/28
D800,361 S *	10/2017	Robertson	D26/28

* cited by examiner

Primary Examiner — Marcus A Jackson

(74) *Attorney, Agent, or Firm* — Cantor Colburn LLP

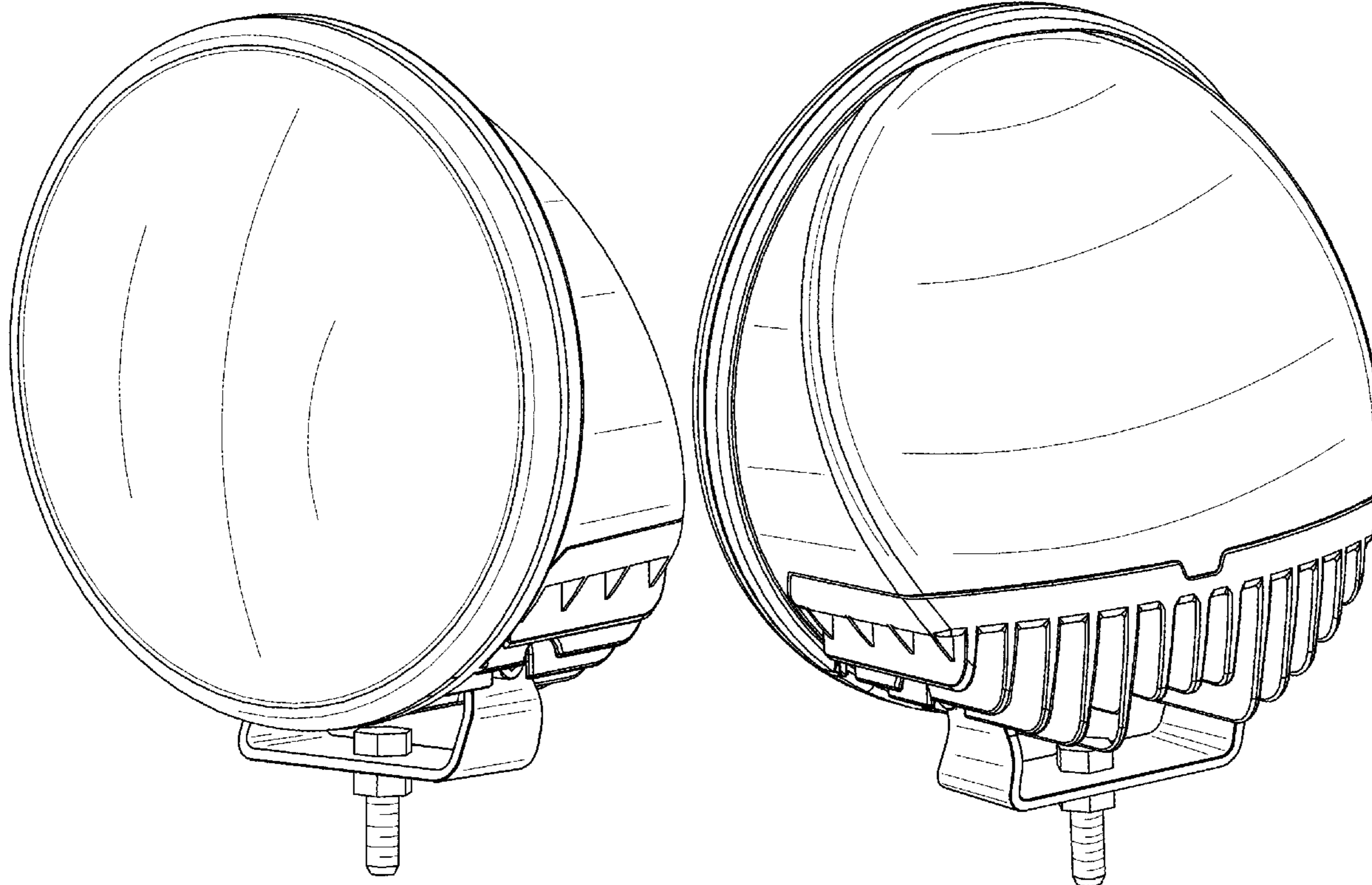
(57) **CLAIM**

The ornamental design for a lamp, as shown and described.

DESCRIPTION

FIG. 1 is front perspective view of a lamp showing my new design;
FIG. 2 is a rear perspective view thereof;
FIG. 3 is a front view thereof;
FIG. 4 is a side view thereof, the opposite being a mirror image;
FIG. 5 is a rear view thereof;
FIG. 6 is top view thereof; and,
FIG. 7 is a bottom view thereof.

1 Claim, 7 Drawing Sheets



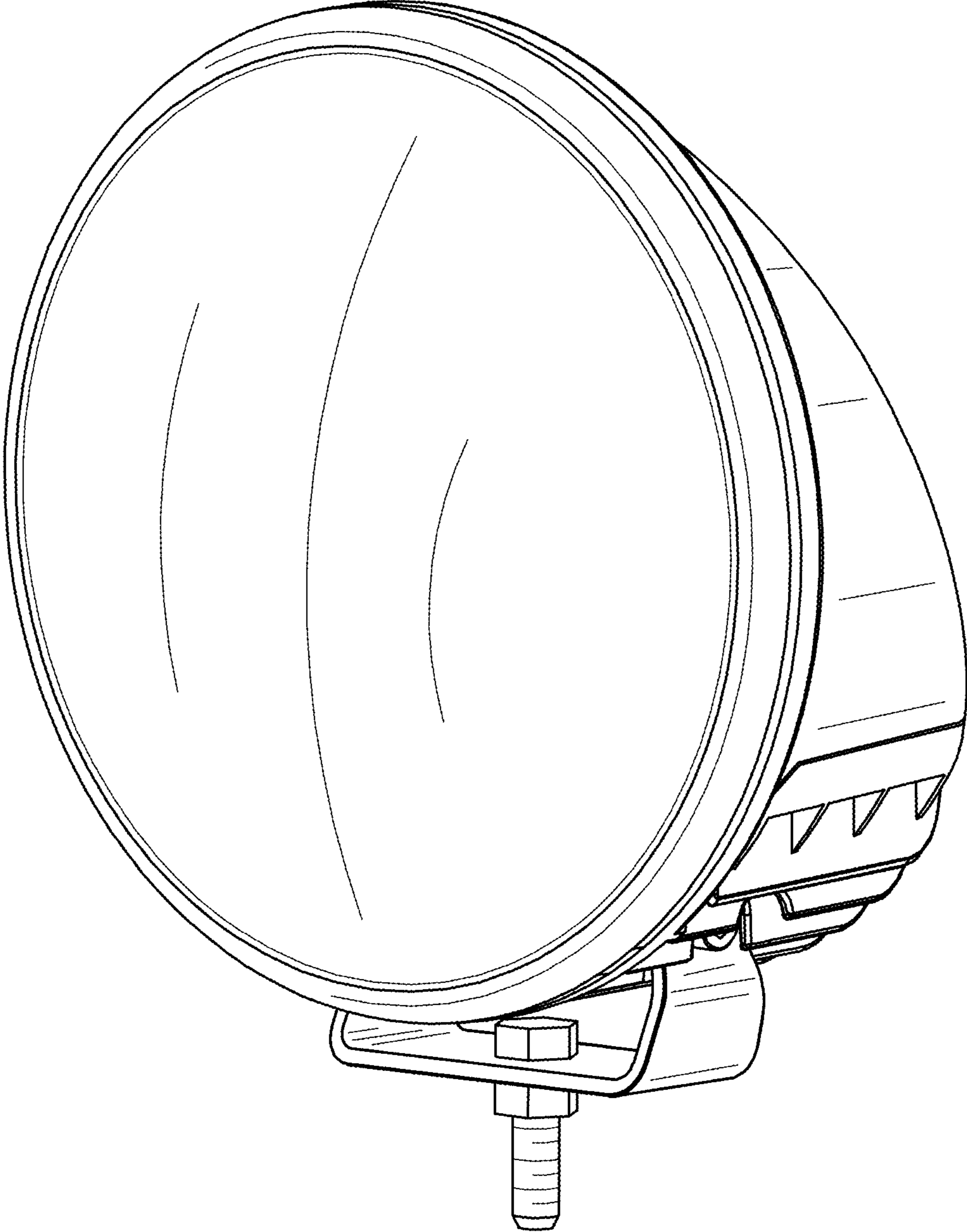


FIGURE 1

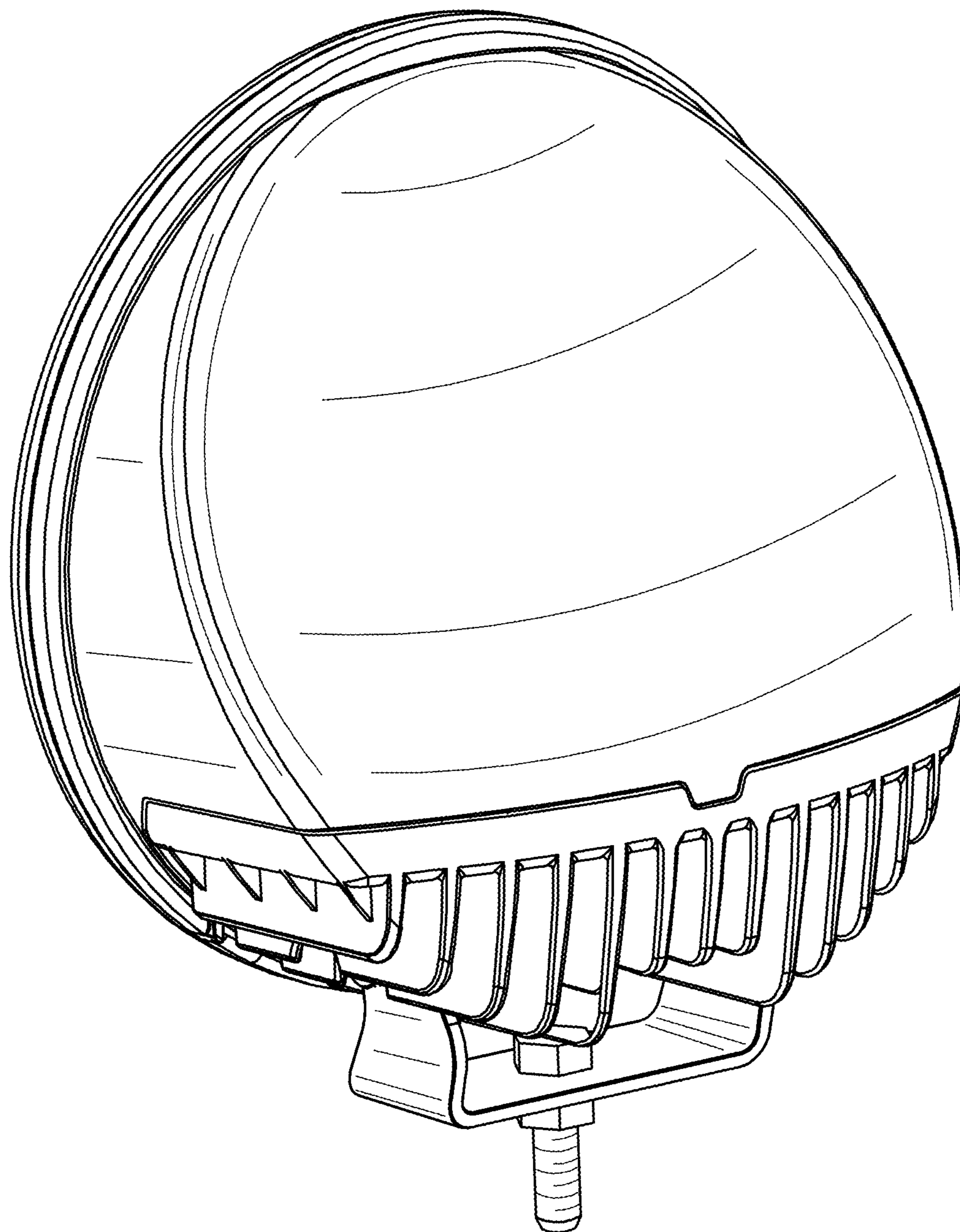


FIGURE 2

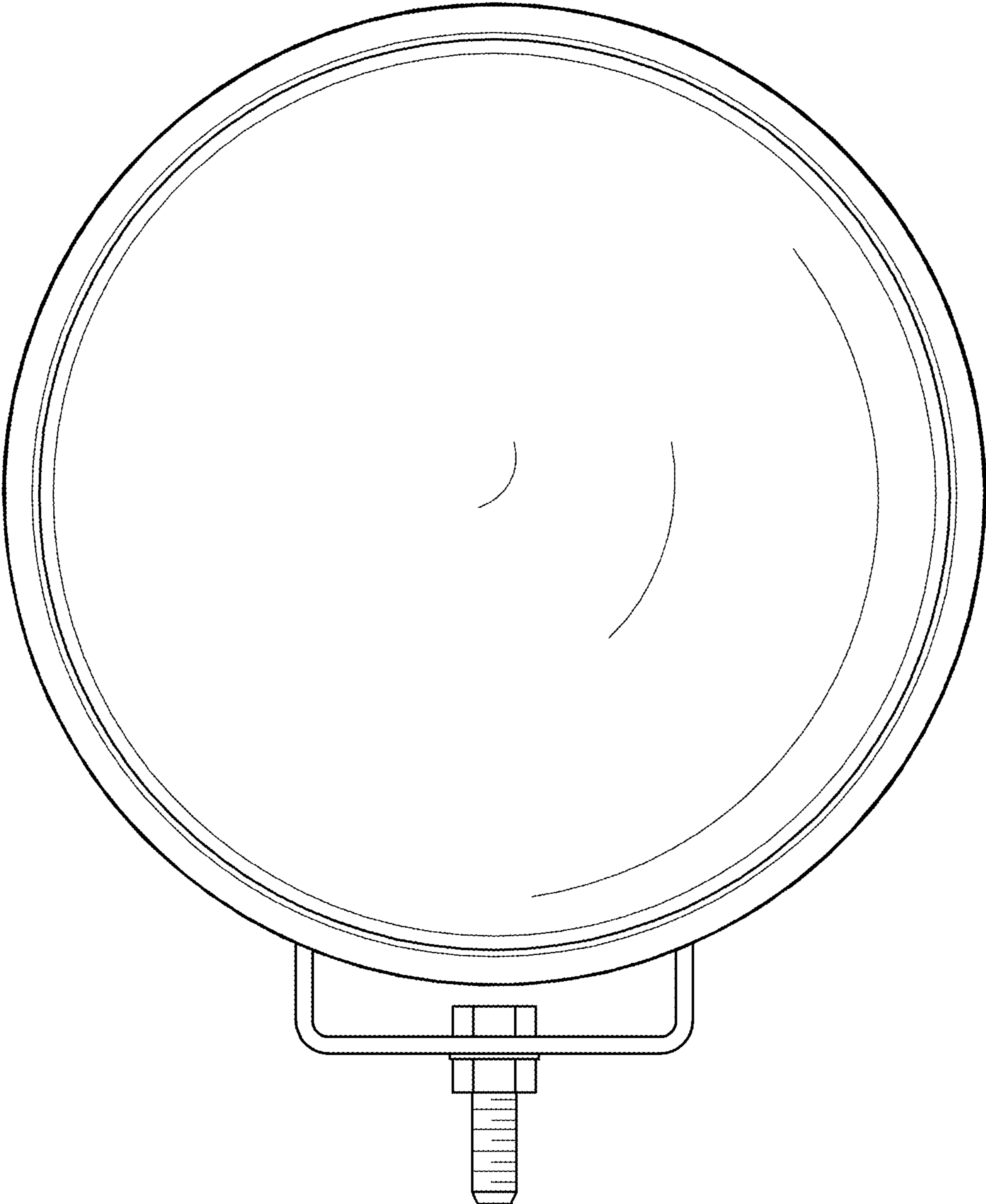


FIGURE 3

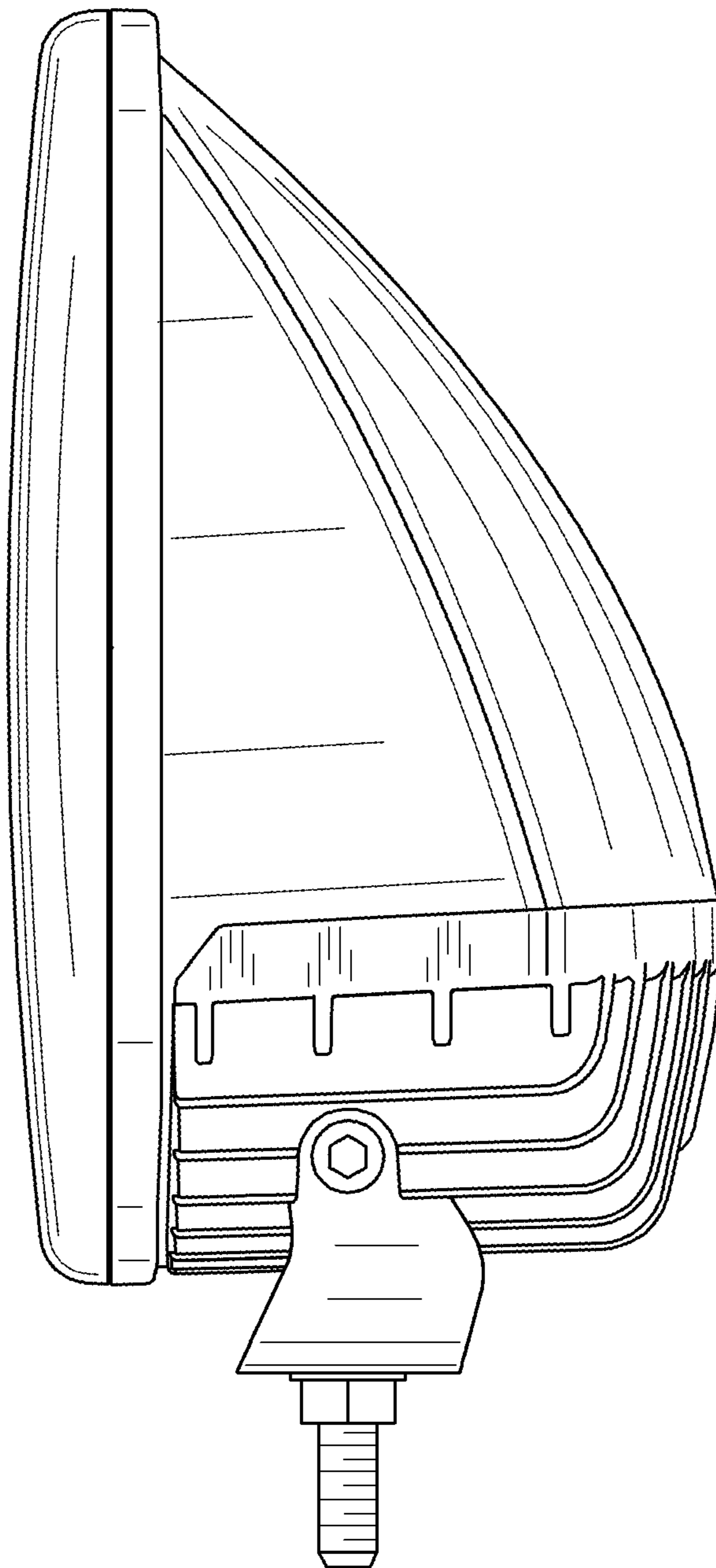


FIGURE 4

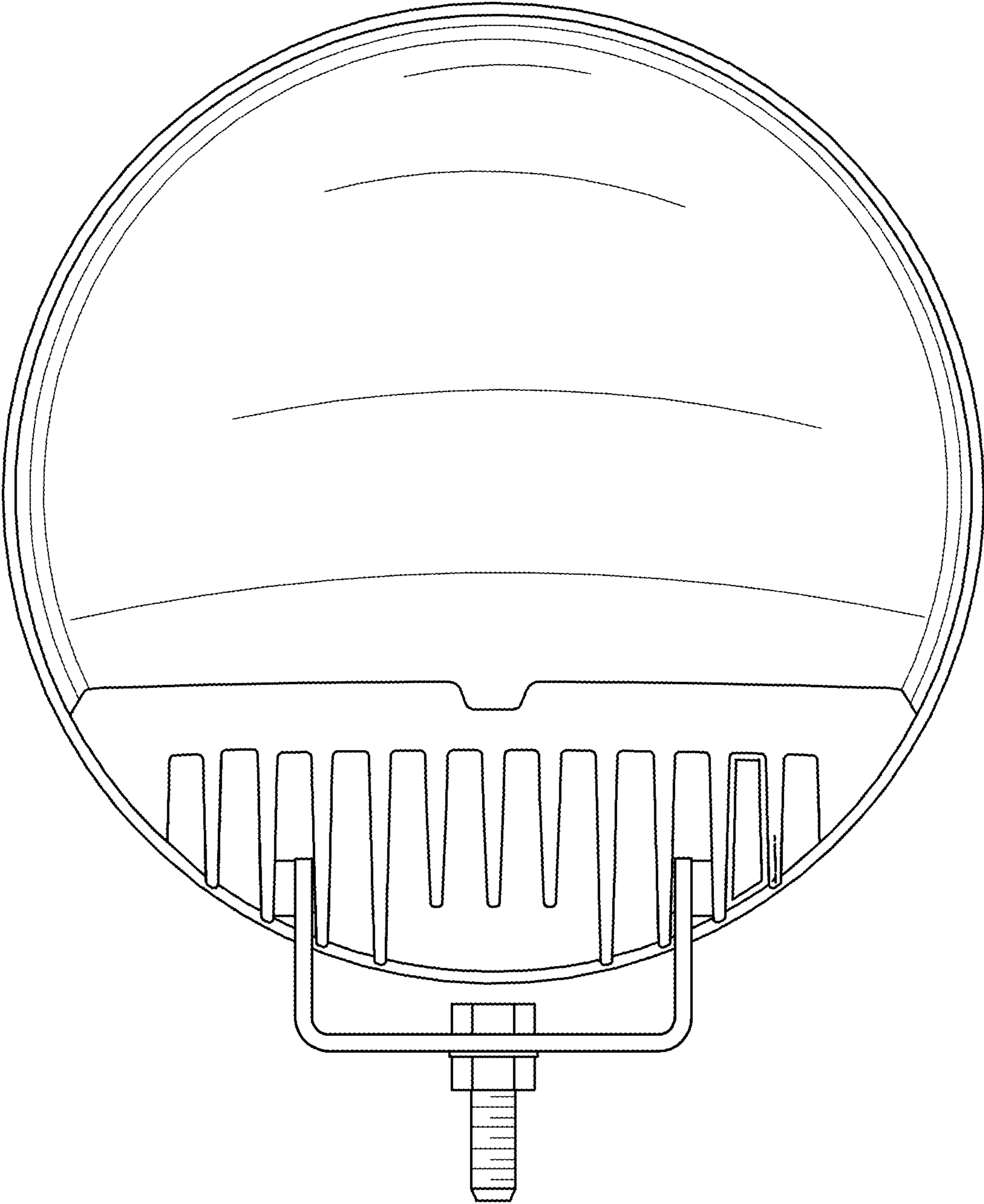


FIGURE 5

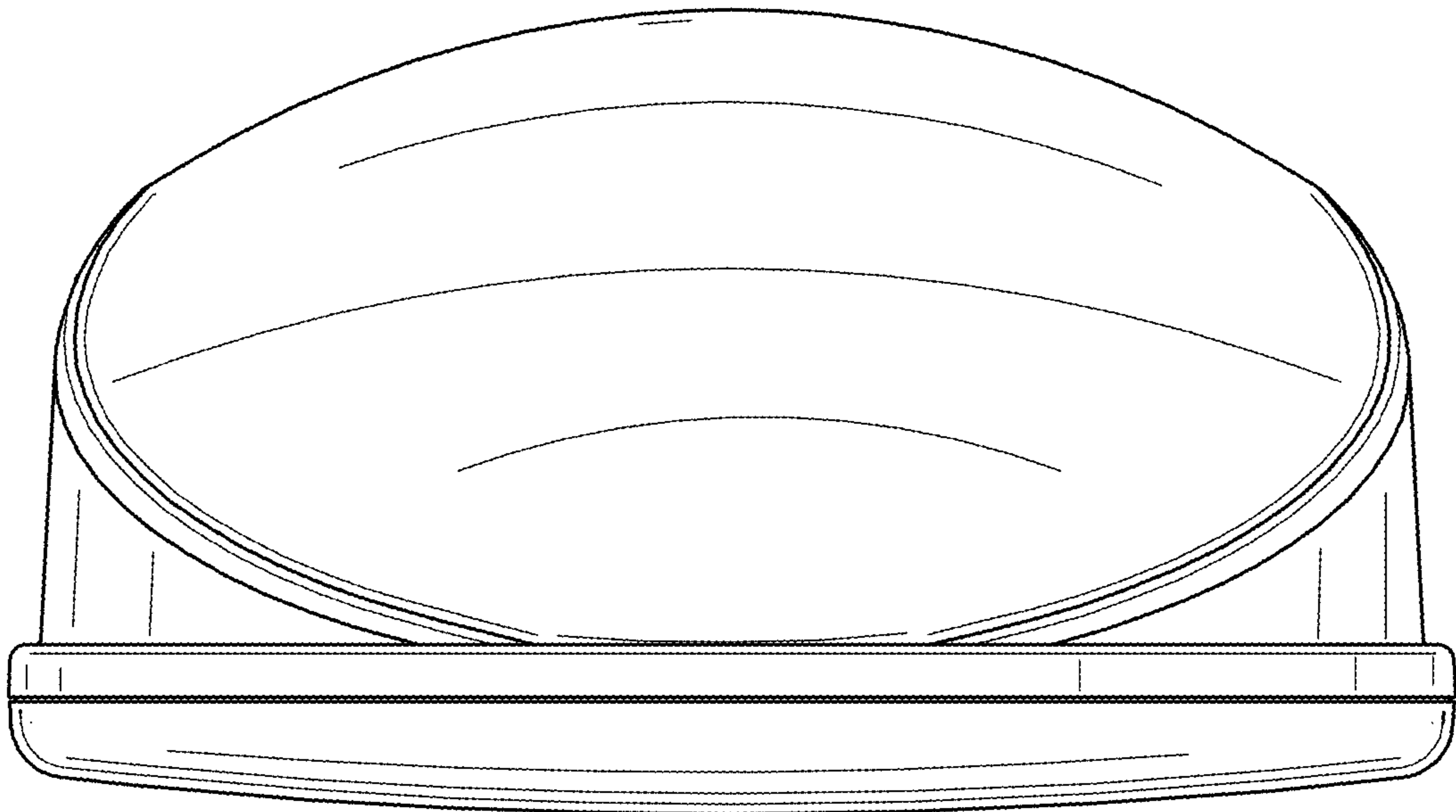


FIGURE 6

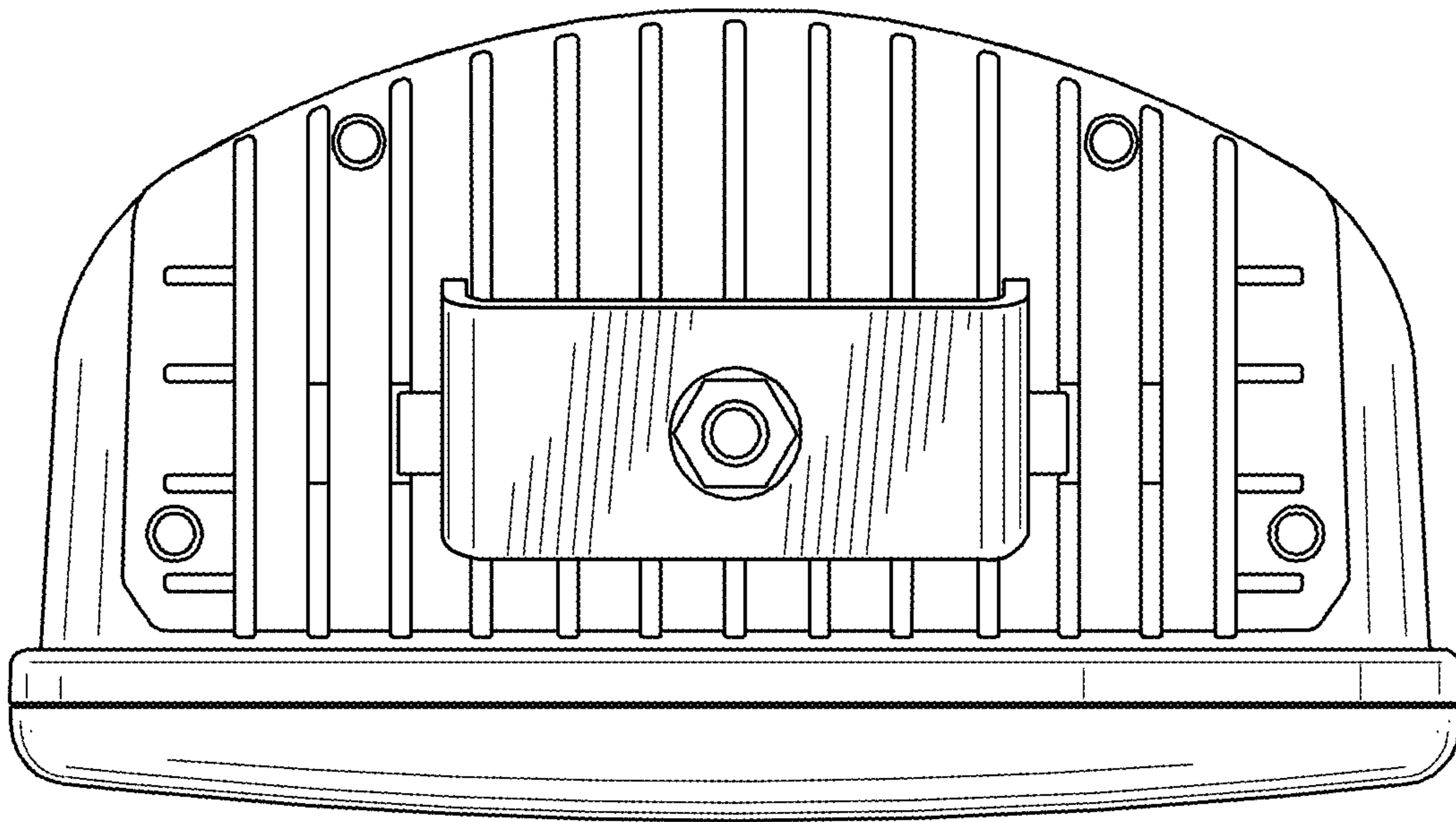


FIGURE 7