



US00D905877S

(12) **United States Design Patent**  
**Wu**

(10) **Patent No.:** **US D905,877 S**

(45) **Date of Patent:** **\*\* Dec. 22, 2020**

(54) **VEHICLE LIGHT**

(71) Applicant: **COPLUS INC.**, Tainan (TW)

(72) Inventor: **Po-Hua Wu**, Tainan (TW)

(73) Assignee: **COPLUS INC.**, Tainan (TW)

(\*\*) Term: **15 Years**

(21) Appl. No.: **29/703,573**

(22) Filed: **Aug. 28, 2019**

(30) **Foreign Application Priority Data**

May 6, 2019 (TW) ..... 108302579

(51) **LOC (12) Cl.** ..... **26-06**

(52) **U.S. Cl.**  
USPC ..... **D26/28**

(58) **Field of Classification Search**

USPC ..... D26/28, 29, 30, 31, 32, 33, 34, 35, 36

CPC ..... F21S 48/00; F21S 48/10; F21S 48/115;

F21S 48/225; F21S 48/1233; F21S

48/1266; F21S 48/1388; F21S 48/2268;

F21V 21/04; F21W 2103/35; F21W 3/40;

F21W 2102/17; F21W 2102/30; F21W

2103/00; F21W 2103/55; F21W 2104/00;

F21W 2107/17; F21W 2107/13

See application file for complete search history.

(56) **References Cited**

**U.S. PATENT DOCUMENTS**

D677,812 S \* 3/2013 Nakamura ..... D26/28

D691,757 S \* 10/2013 Lai ..... D26/28

D745,726 S \* 12/2015 McMahan ..... D26/28

D747,515 S \* 1/2016 McMahan ..... D26/28

D796,093 S \* 8/2017 Mainville ..... D26/28

D797,324 S \* 9/2017 Lai ..... D26/28

D797,970 S \* 9/2017 Mainville ..... D26/28

D844,864 S \* 4/2019 Lin ..... D26/28

D875,976 S \* 2/2020 Lin ..... D26/28

D878,644 S \* 3/2020 Lai ..... D26/28

D892,371 S \* 8/2020 Badstuebner ..... D26/28

D894,438 S \* 8/2020 Park Cheng ..... D26/28

\* cited by examiner

*Primary Examiner* — Angela J Lee

(74) *Attorney, Agent, or Firm* — Lewis Roca Rothgerber  
Christie LLP

(57) **CLAIM**

The ornamental design for vehicle light, as shown and described.

**DESCRIPTION**

FIG. 1 is front perspective view of a vehicle light;

FIG. 2 is a front view thereof;

FIG. 3 is a rear view thereof;

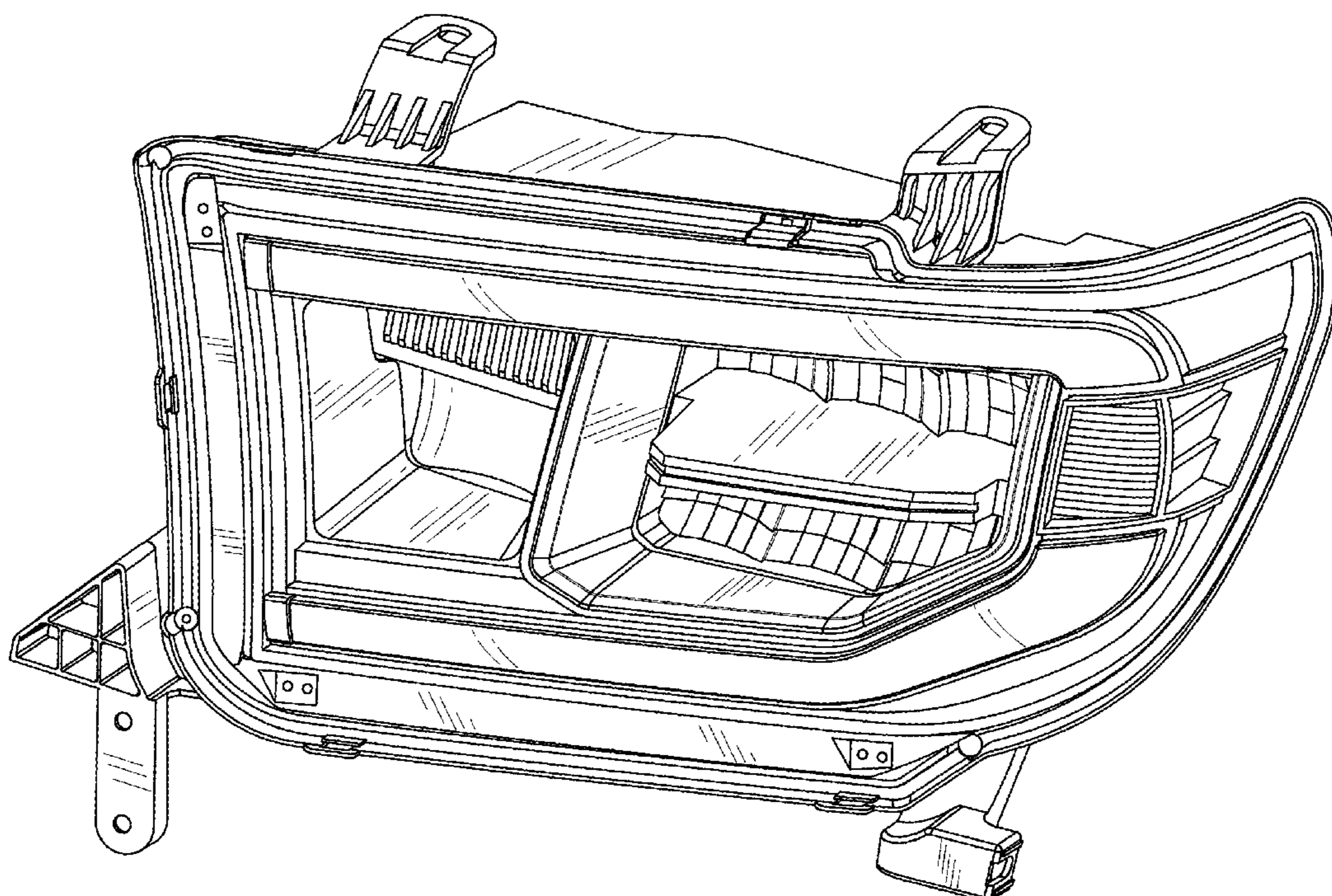
FIG. 4 is a left side view thereof;

FIG. 5 is a right side view thereof;

FIG. 6 is a top view thereof; and,

FIG. 7 is a bottom view thereof.

**1 Claim, 7 Drawing Sheets**



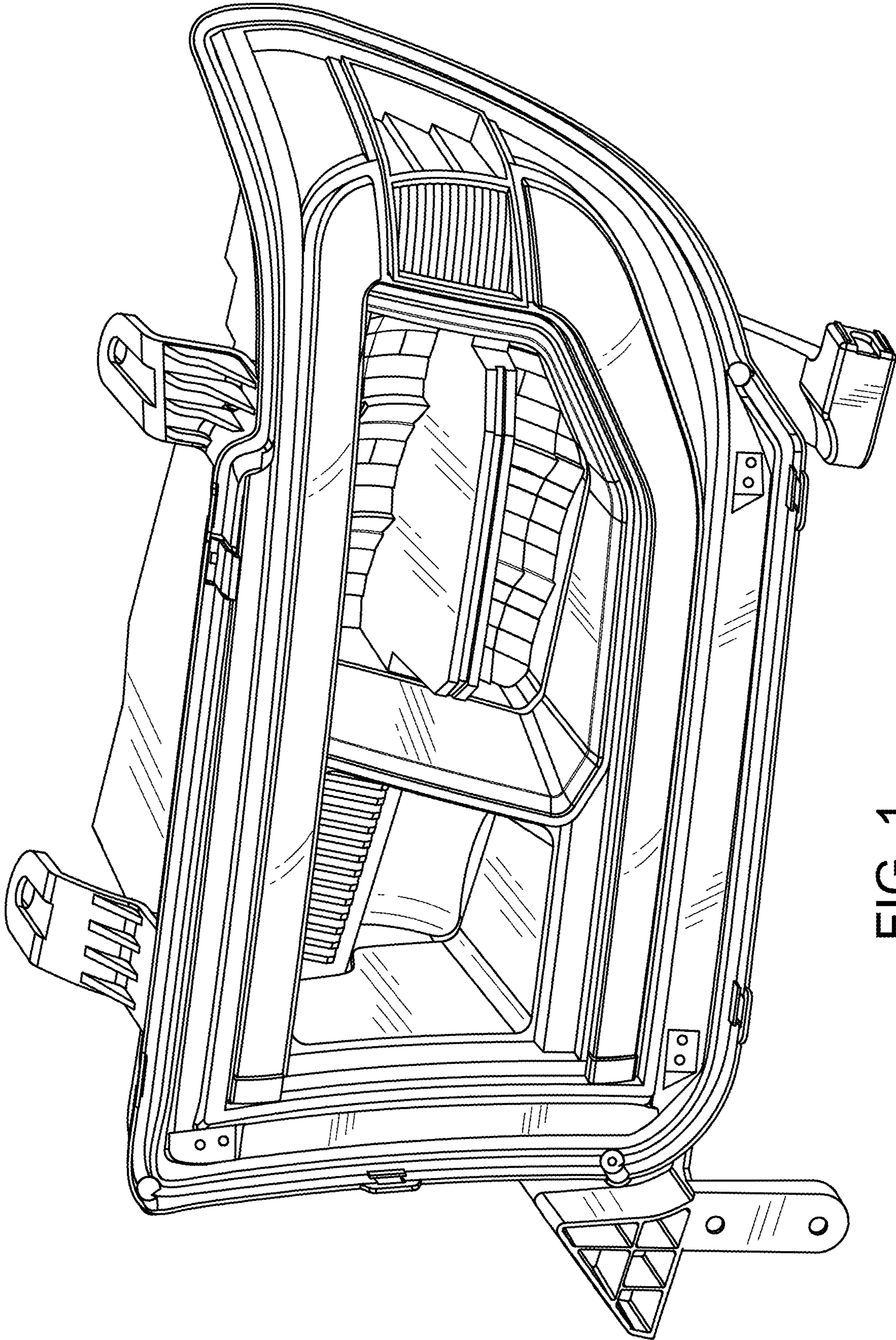


FIG. 1



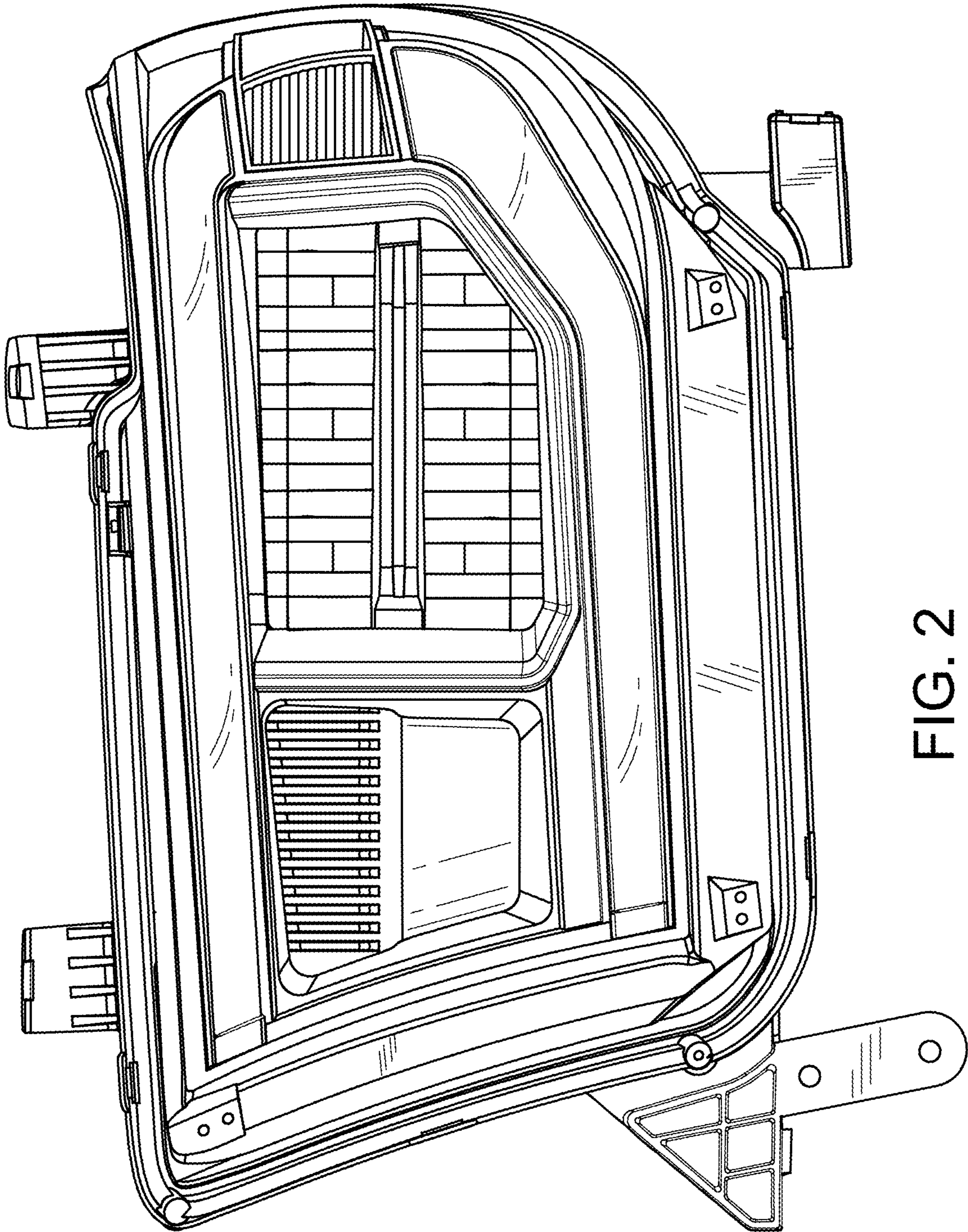


FIG. 2

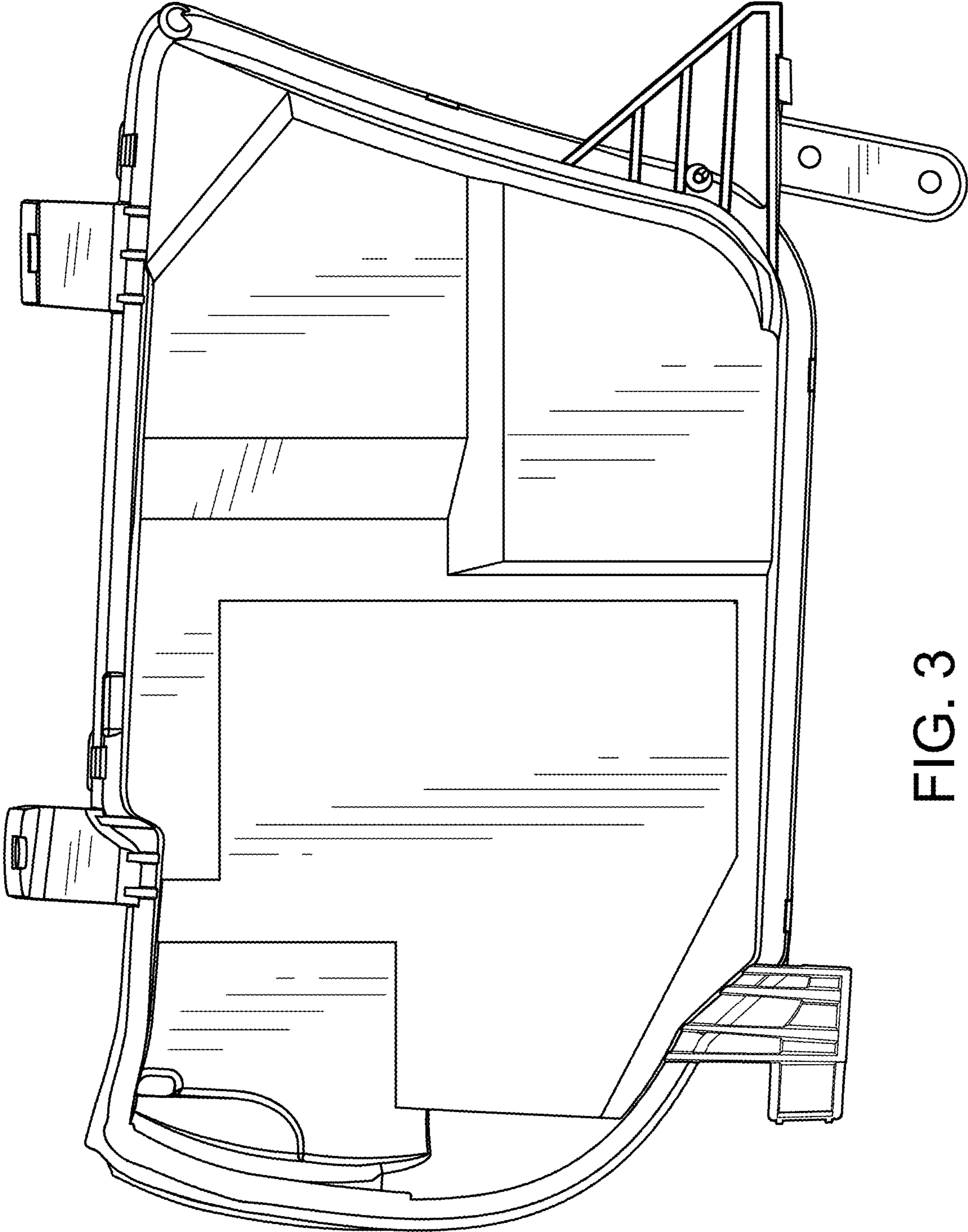


FIG. 3

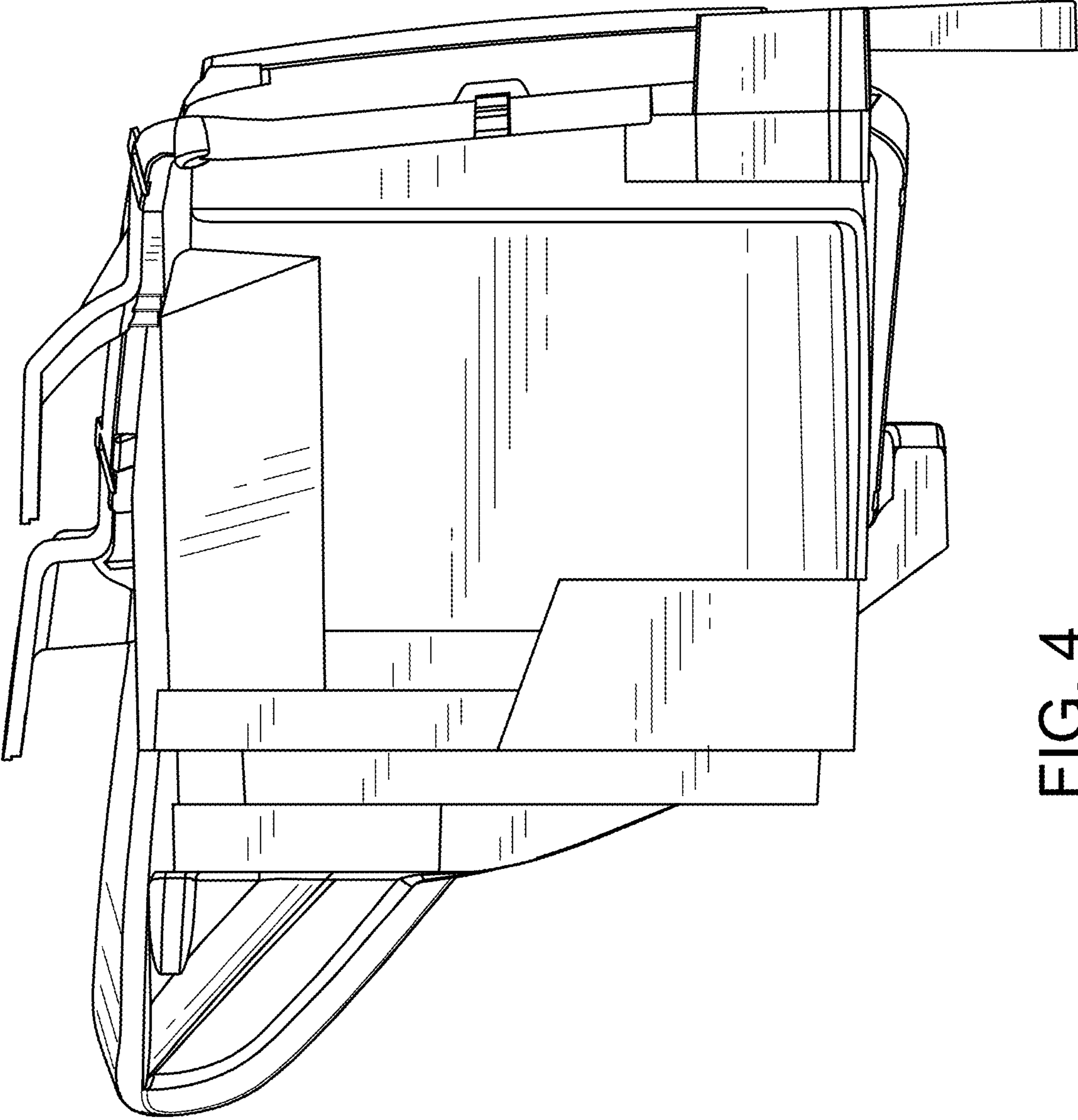


FIG. 4



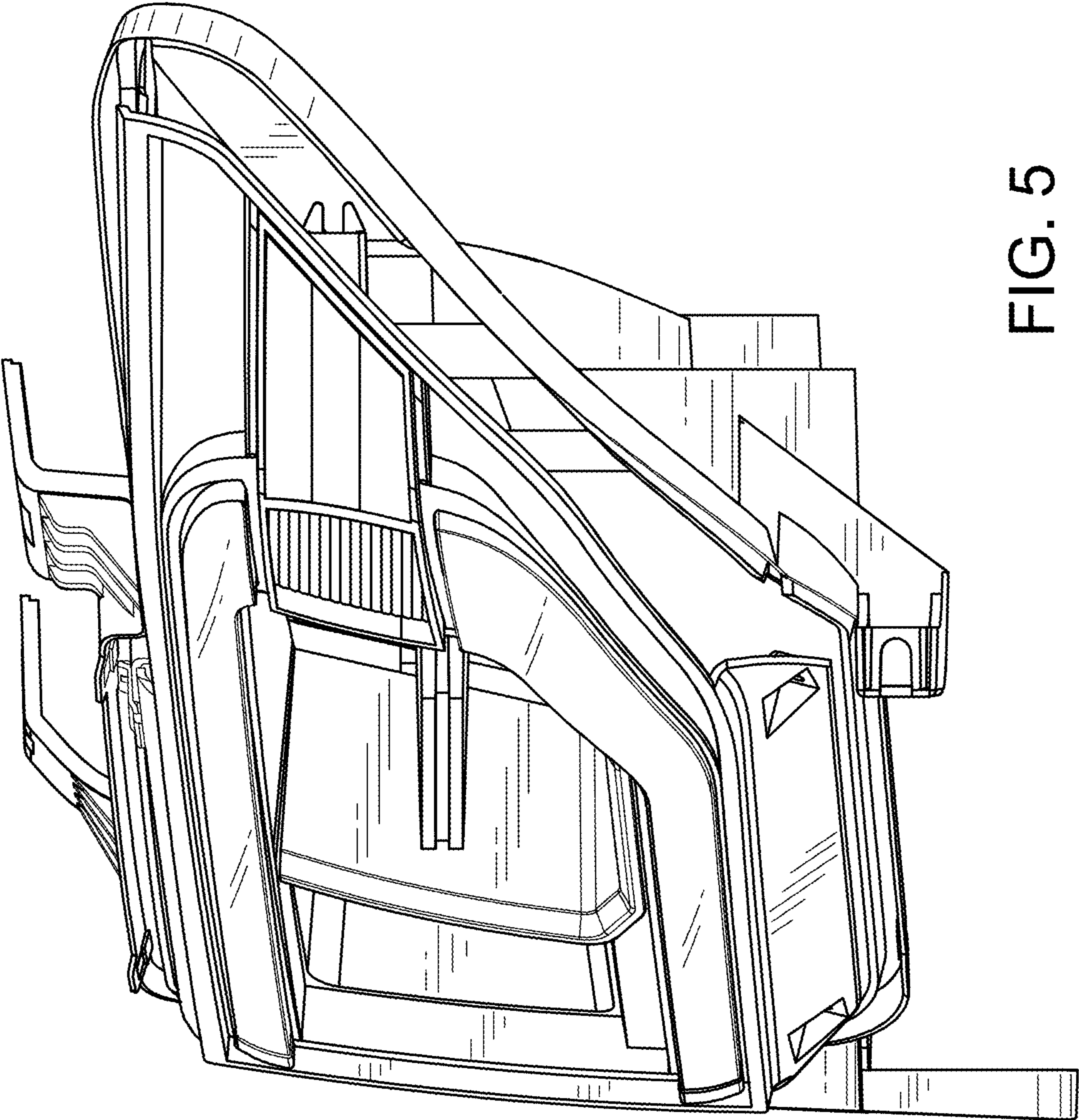


FIG. 5

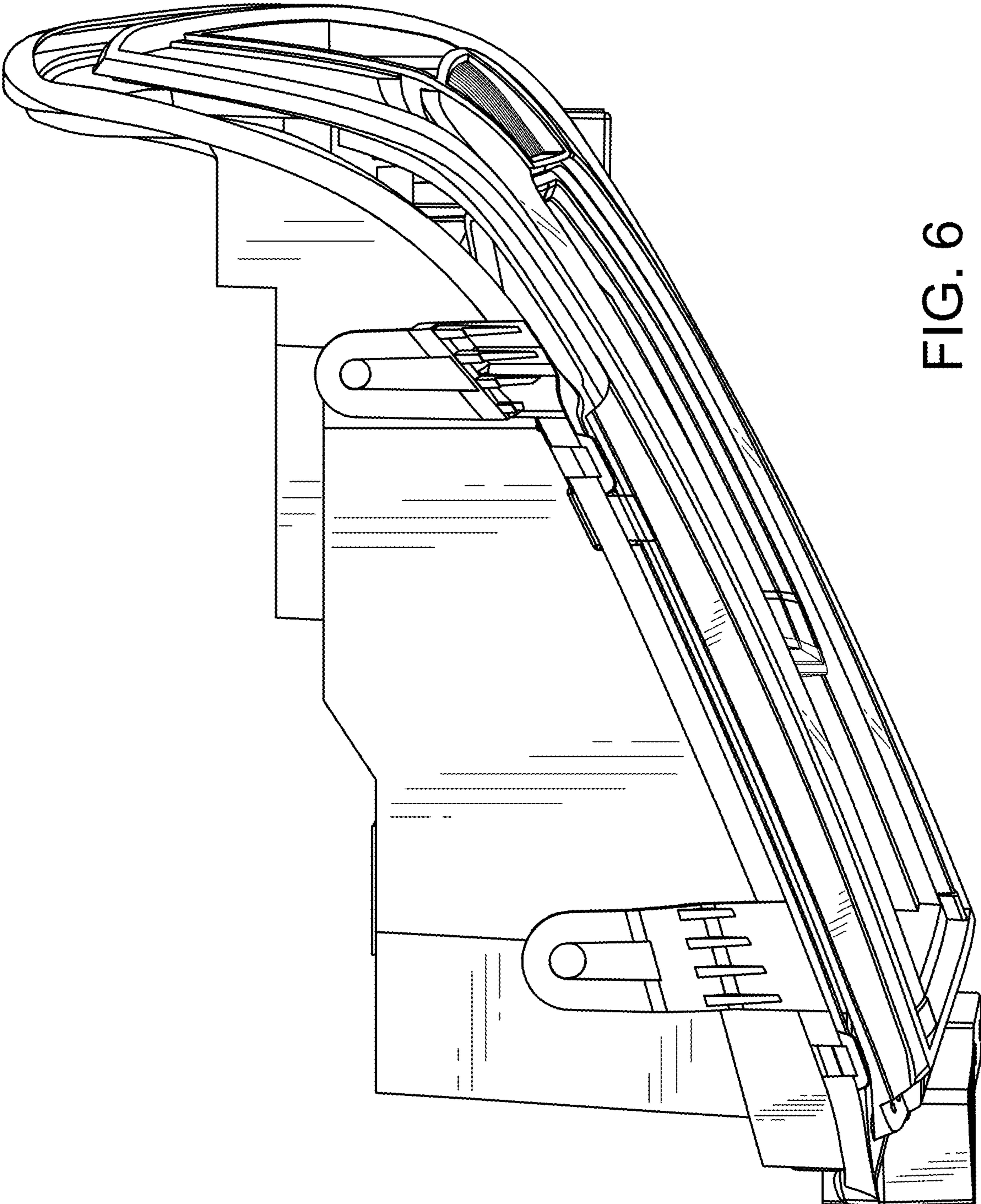


FIG. 6

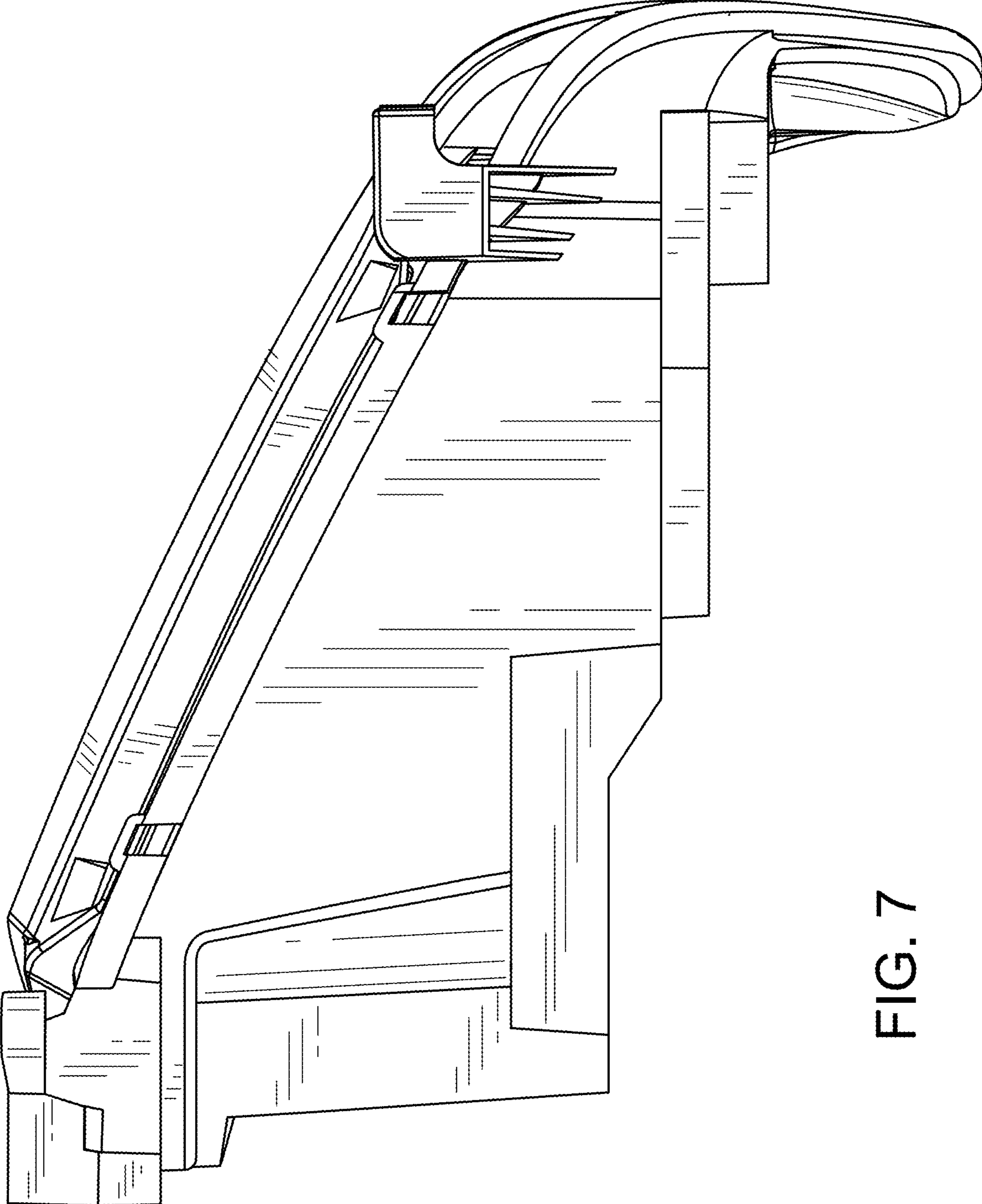


FIG. 7