



US00D905875S

(12) **United States Design Patent** (10) **Patent No.:** **US D905,875 S**
Choi et al. (45) **Date of Patent:** **** Dec. 22, 2020**

(54) **LED LAMP**

(71) Applicant: **SAMSUNG ELECTRONICS CO., LTD.**, Suwon-si (KR)

(72) Inventors: **Eunha Choi**, Suwon-si (KR); **Minki Ham**, Suwon-si (KR); **Giha Woo**, Suwon-si (KR)

(73) Assignee: **SAMSUNG ELECTRONICS CO., LTD.**, Gyeonggi-Do (KR)

(**) Term: **15 Years**

(21) Appl. No.: **29/705,310**

(22) Filed: **Sep. 11, 2019**

(30) **Foreign Application Priority Data**

Jun. 10, 2019 (KR) 30-2019-0027297

(51) **LOC (12) Cl.** **26-04**

(52) **U.S. Cl.**
USPC **D26/2**

(58) **Field of Classification Search**
USPC D26/1-4
CPC H01R 5/00; H01R 13/46; H01R 13/514;
H01R 31/048; H01R 31/02; H01J 5/00;
H01J 5/16; H01J 1/02; H01J 15/00; H01J
5/48; H01J 5/50; H01J 19/54; F21V 5/00;
F21K 9/00; F21K 13/00

See application file for complete search history.

(56) **References Cited**

U.S. PATENT DOCUMENTS

D508,575 S *	8/2005	Buschmann	D26/2
D626,667 S *	11/2010	Jonsson	D26/2
D627,087 S *	11/2010	Jonsson	D26/2
D645,993 S *	9/2011	Wang	D26/2
D651,327 S *	12/2011	Hsiao	D26/2
D676,983 S *	2/2013	Holland	D26/2

* cited by examiner

Primary Examiner — Marcus A Jackson

(74) *Attorney, Agent, or Firm* — Cantor Colburn LLP

(57) **CLAIM**

The ornamental design for a LED lamp, as shown and described.

DESCRIPTION

FIG. 1 is a front perspective view of a LED lamp, showing our new design;
FIG. 2 is a front view thereof;
FIG. 3 is a rear view thereof;
FIG. 4 is a left-side view thereof;
FIG. 5 is a right-side view thereof;
FIG. 6 is a top view thereof;
FIG. 7 is a bottom view thereof; and,
FIG. 8 is a bottom perspective view thereof.
The broken lines illustrating portions of the LED lamp form no part of the claimed design.

1 Claim, 5 Drawing Sheets

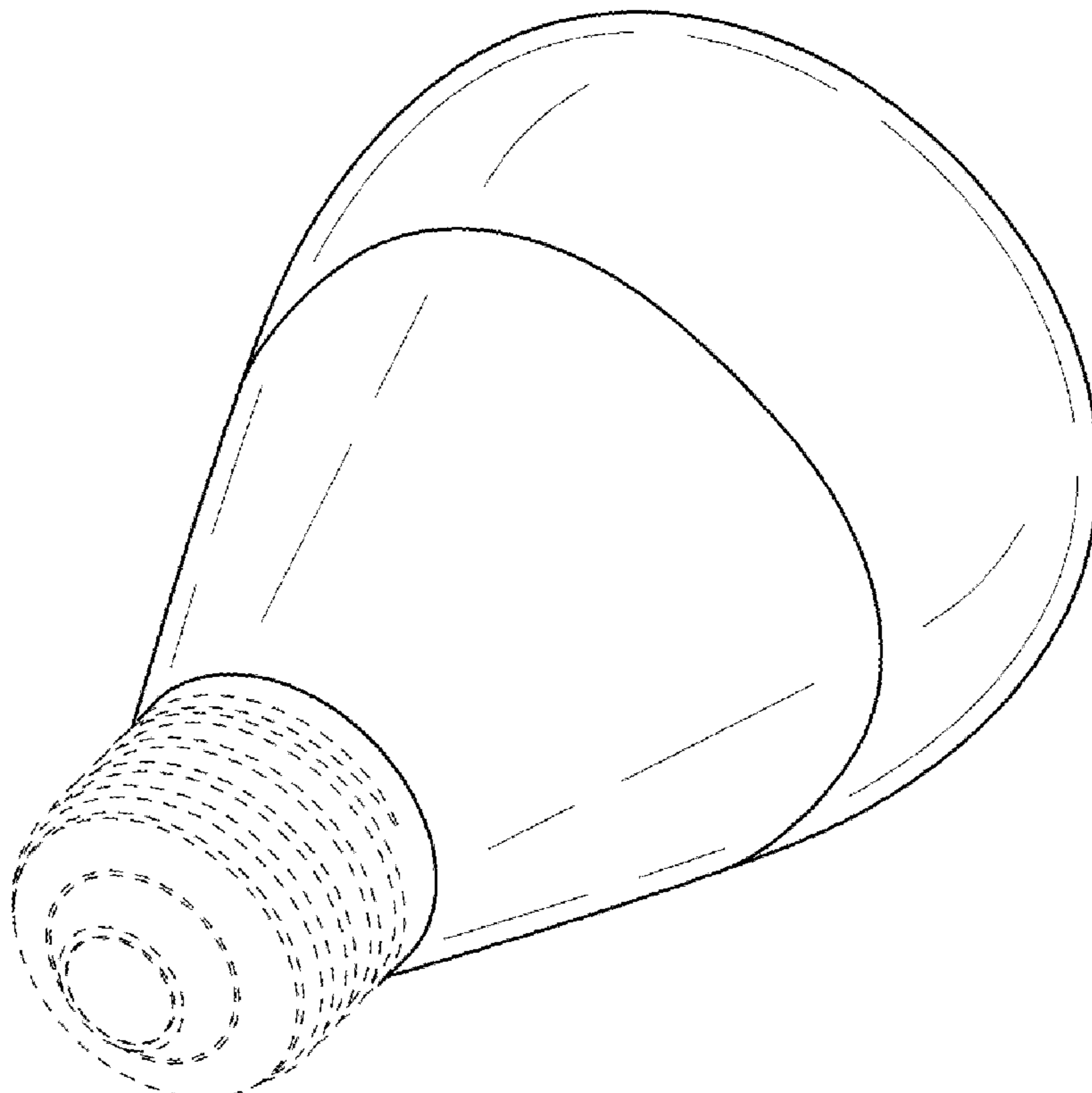


FIG.1

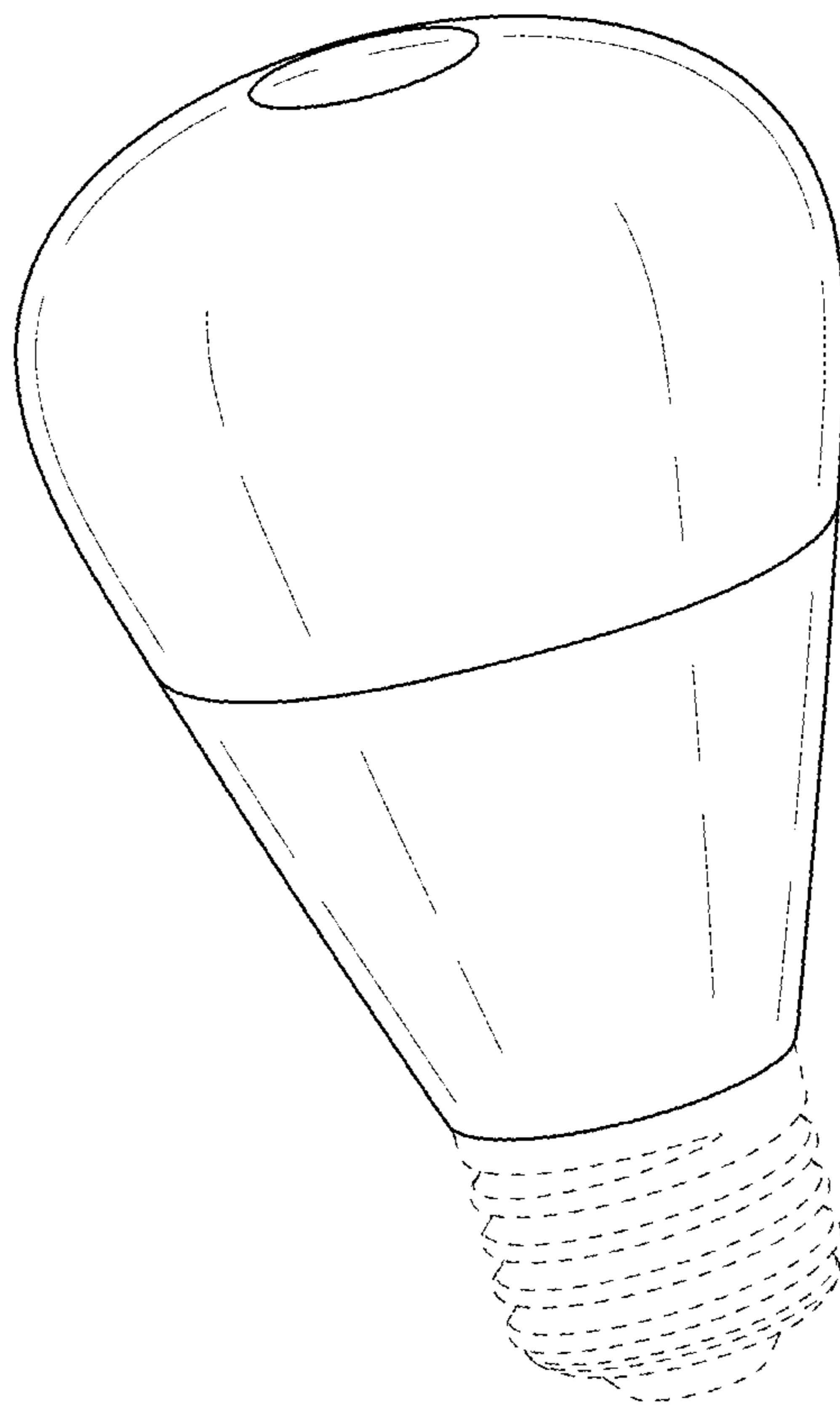


FIG.2

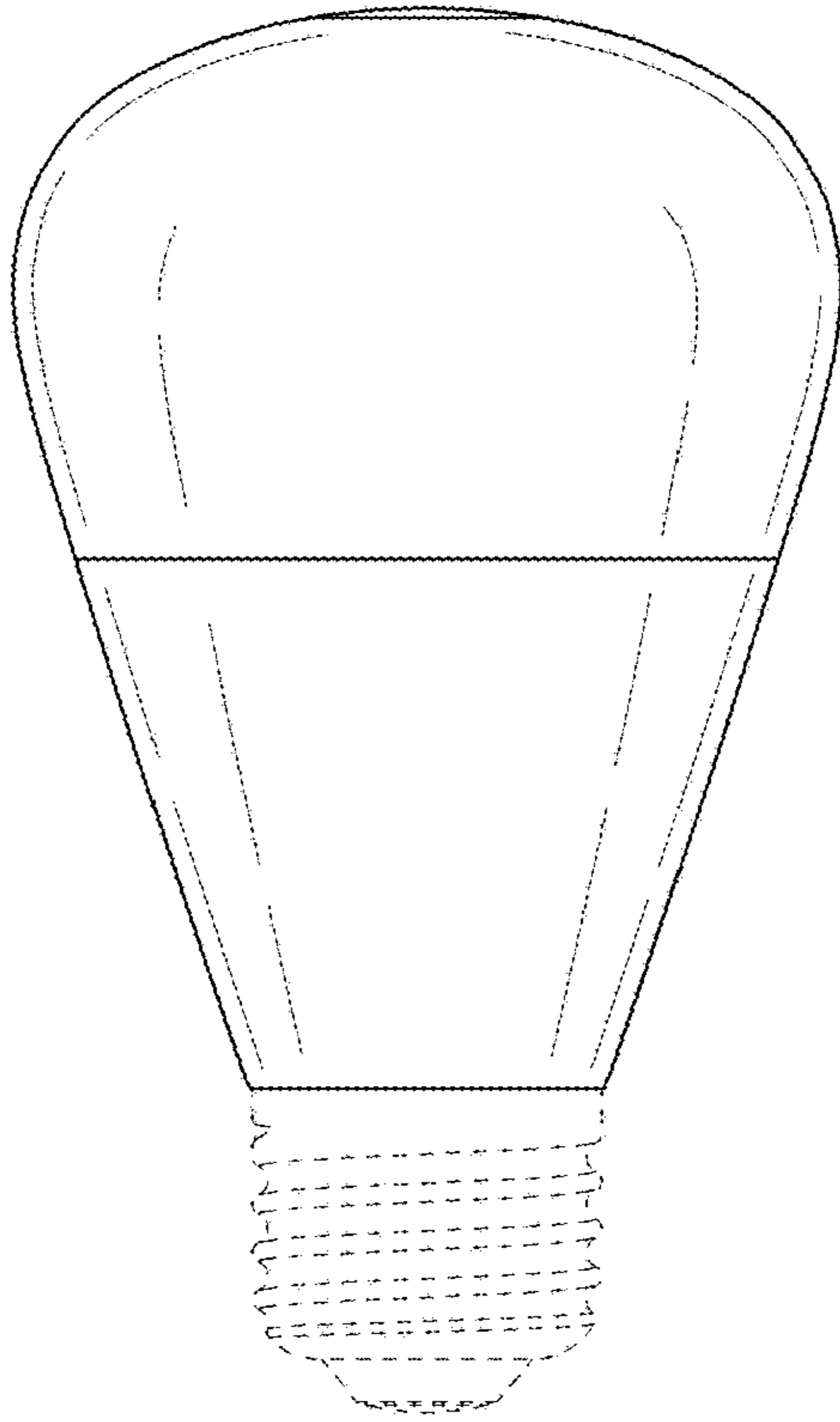


FIG.3

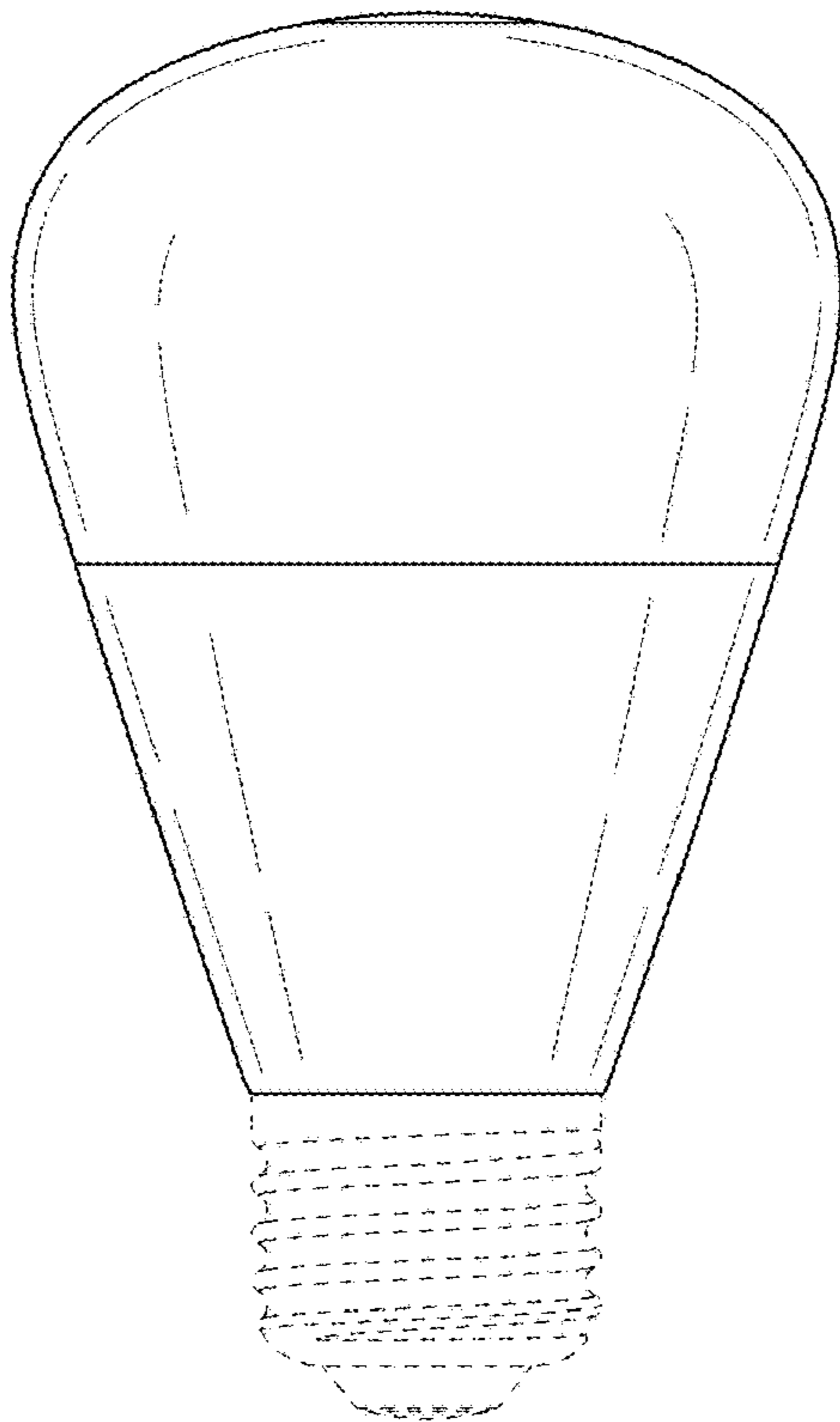


FIG.4

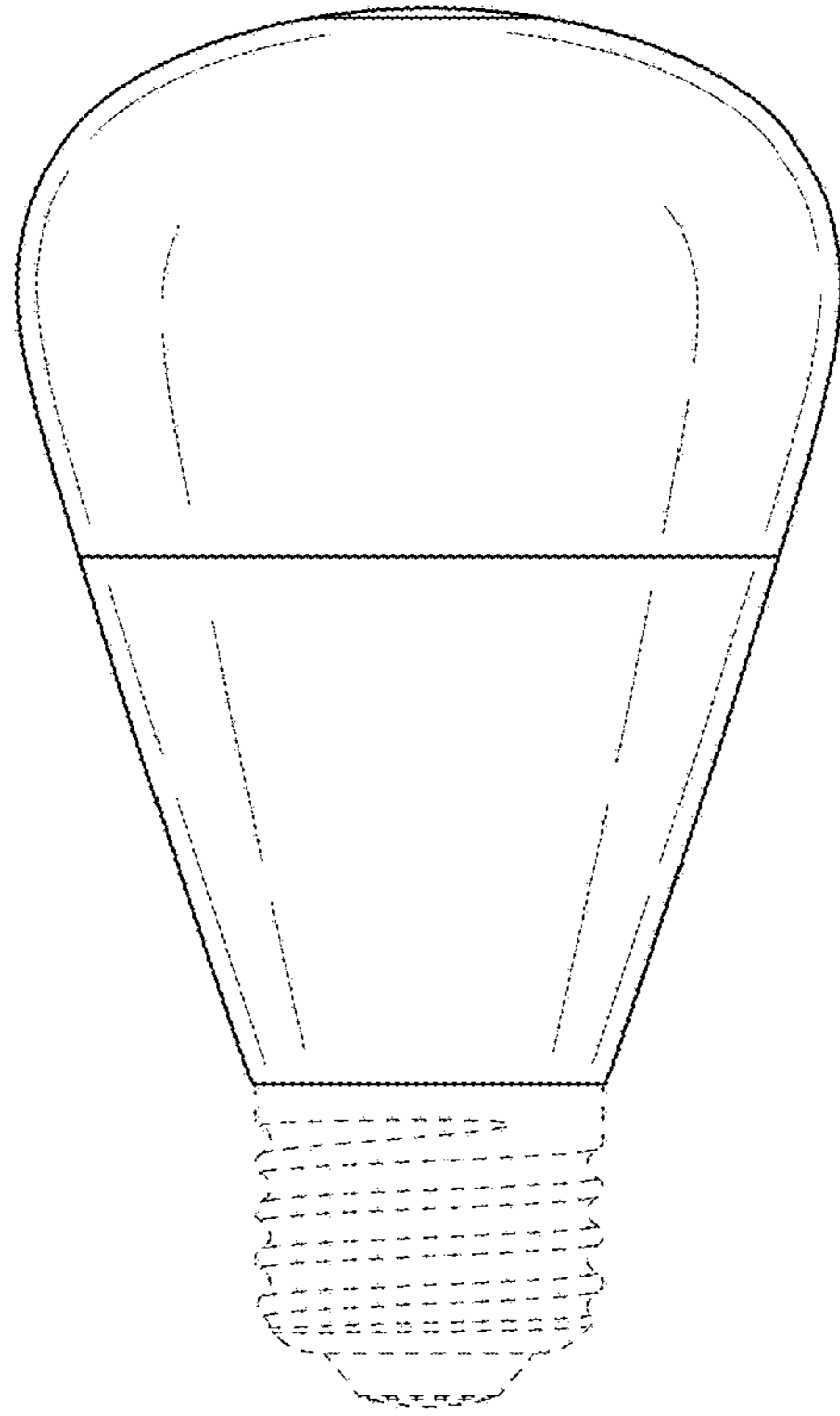


FIG.5

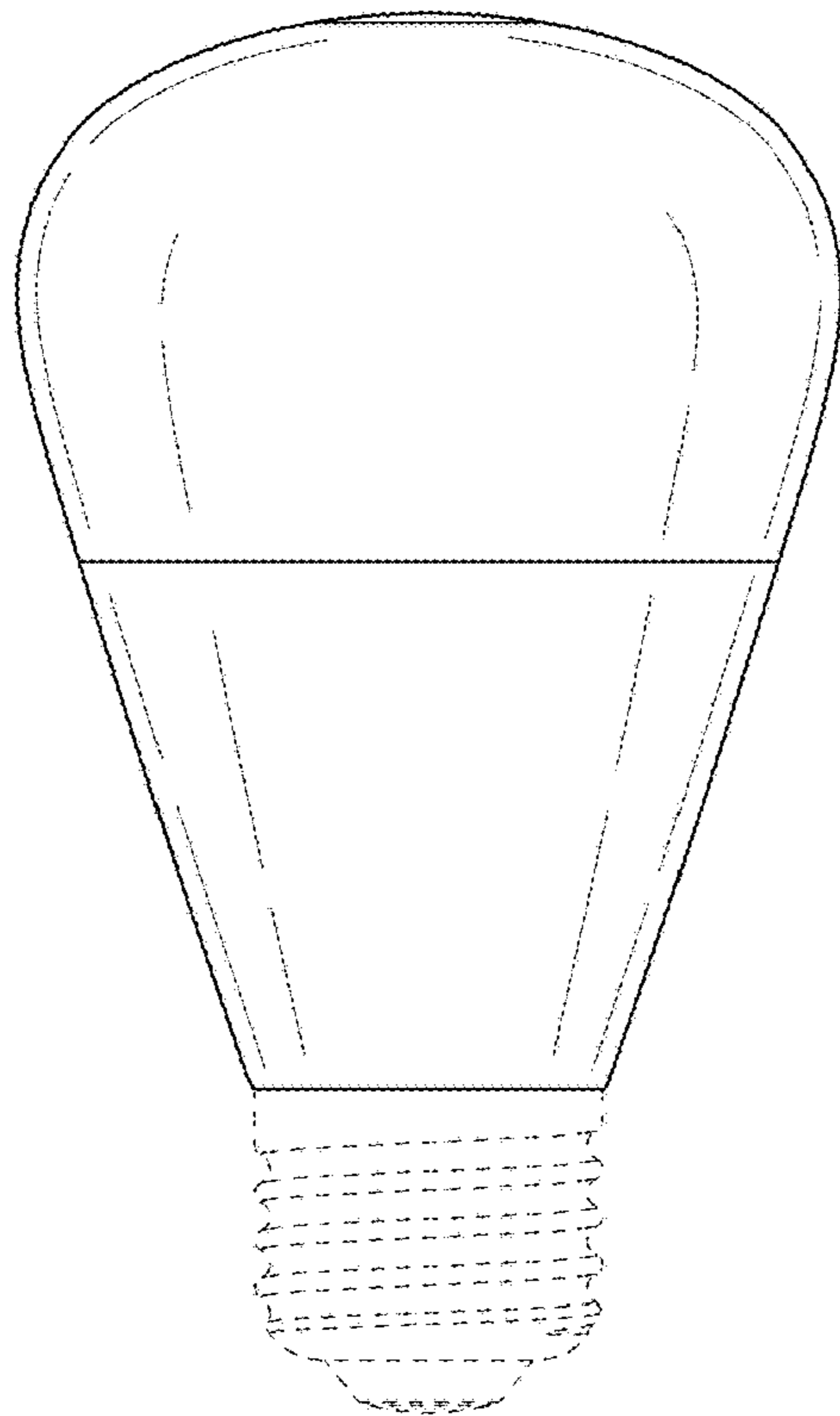


FIG.6

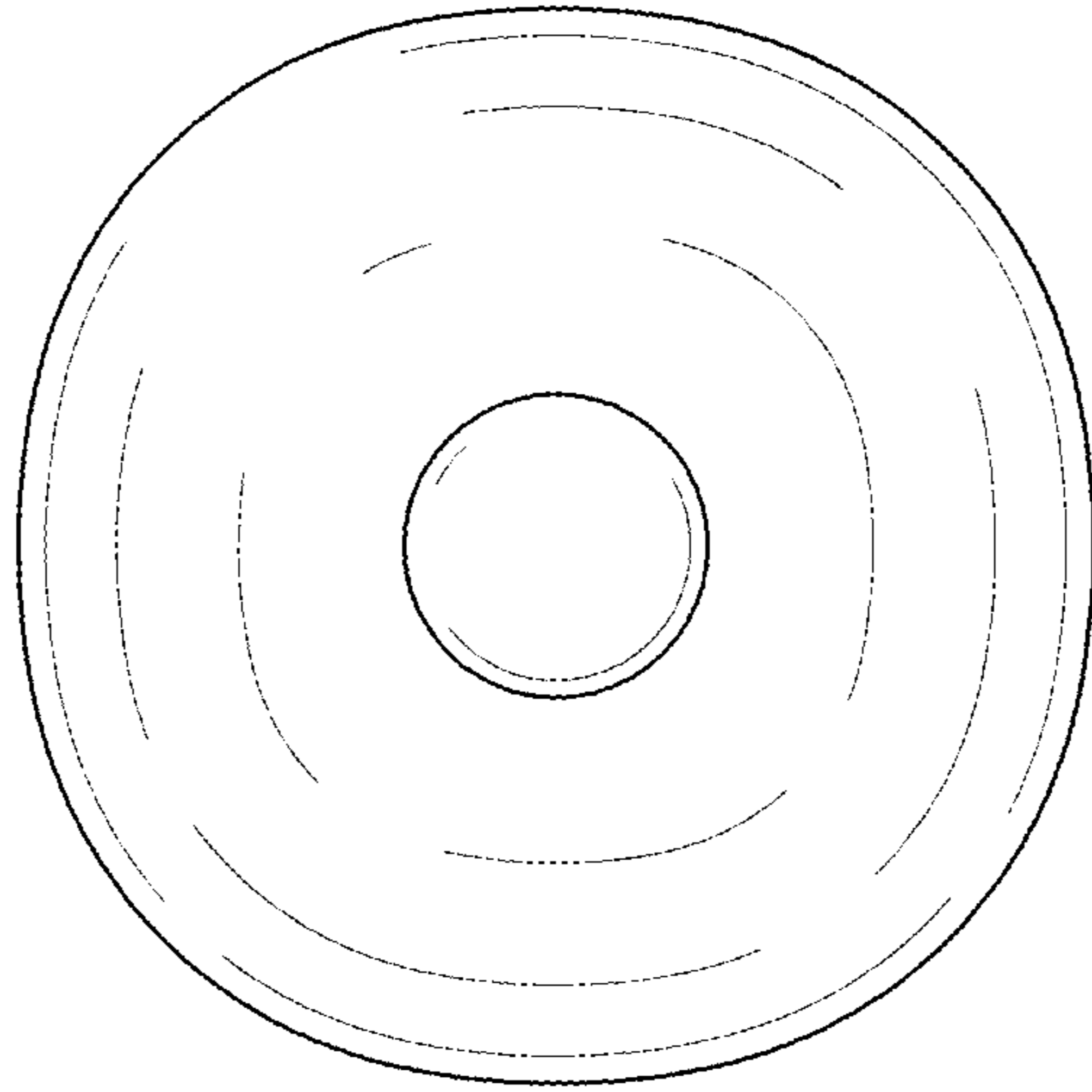


FIG.7

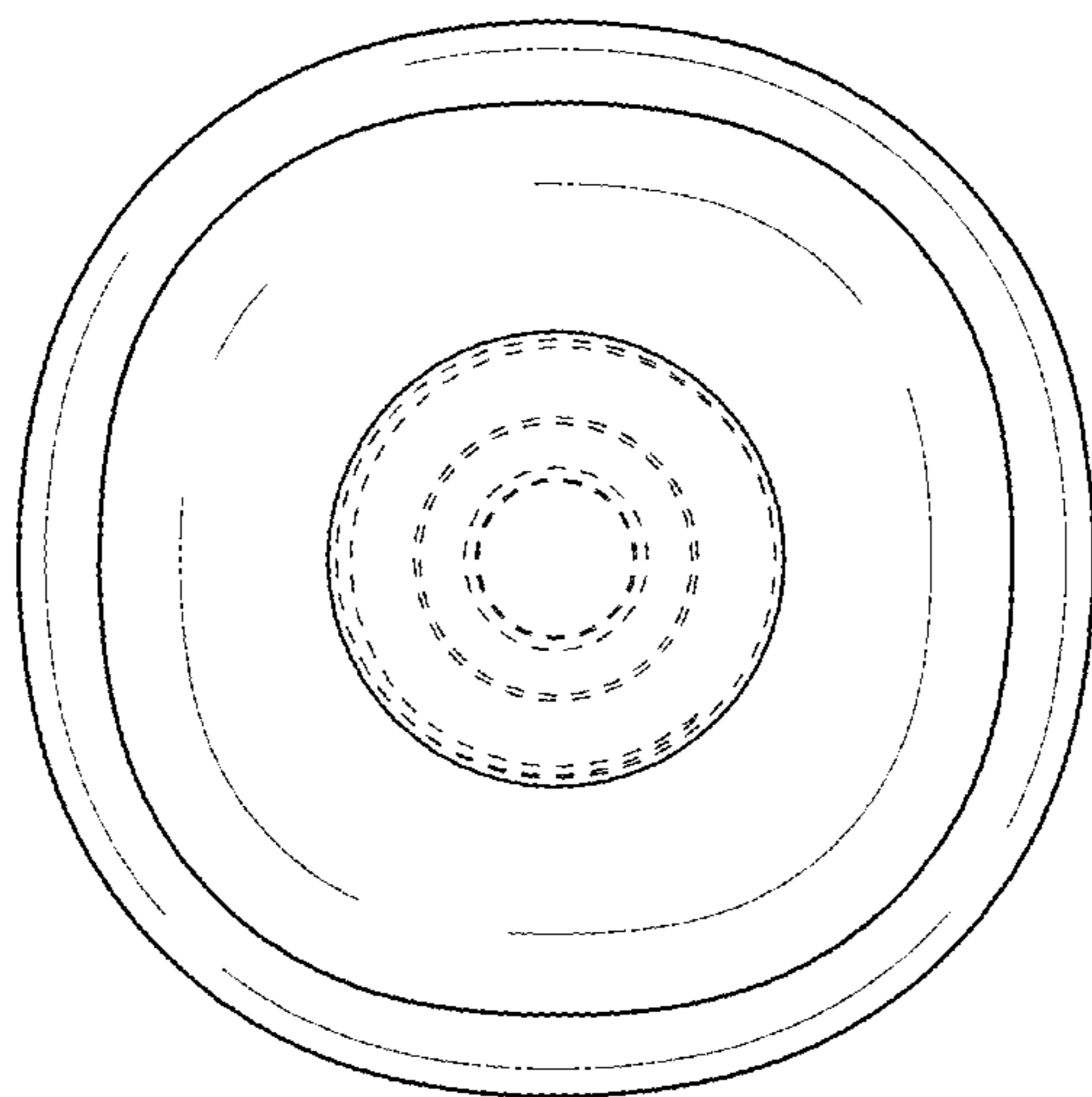


FIG.8

