



US00D905872S

(12) **United States Design Patent** (10) **Patent No.:** **US D905,872 S**
Hay, III (45) **Date of Patent:** **** Dec. 22, 2020**

(54) **DIMPLED LINEAL FOR PANEL ATTACHMENT OVER A WINDOW**

(71) Applicant: **Hawkes Design and Consulting, LLC**, Charleston, SC (US)

(72) Inventor: **Henry M. Hay, III**, Charleston, SC (US)

(73) Assignee: **Hawkes Design and Consulting, LLC**, Charleston, SC (US)

(**) Term: **15 Years**

(21) Appl. No.: **29/691,847**

(22) Filed: **May 20, 2019**

(51) **LOC (12) Cl.** **25-01**

(52) **U.S. Cl.**
USPC **D25/124**

(58) **Field of Classification Search**
USPC D25/119–125, 133, 135, 164; D8/354, D8/373, 374, 376, 377; D20/43, 44
CPC E06B 1/62; E06B 1/64; E06B 1/68; E06B 3/30; E06B 3/301; E06B 3/306; E06B 3/308; E06B 2001/628; E06B 9/02; E04C 3/04; E04C 2003/023; E04C 2003/026
See application file for complete search history.

(56) **References Cited**

U.S. PATENT DOCUMENTS

D429,532	S	*	8/2000	Siudzinski	D25/124
D647,634	S	*	10/2011	Pensi	D25/124
8,196,363	B2		6/2012	Hay et al.		
8,438,802	B1		5/2013	Hay et al.		
8,789,324	B2		7/2014	Hay et al.		
8,863,452	B1		10/2014	Hay, III et al.		
D856,535	S	*	8/2019	Hay, III	D25/124
D856,536	S	*	8/2019	Hay, III	D25/124
D872,894	S	*	1/2020	Hay, III	D25/124

D872,895	S	*	1/2020	Hay, III	D25/124
D872,896	S	*	1/2020	Hay, III	D25/124
10,604,989	B2	*	3/2020	Hay, III	E06B 9/02
D884,213	S	*	5/2020	Hay, III	D25/48.2
2009/0241421	A1		10/2009	Hay, III et al.		
2014/0326126	A1		11/2014	Hay, III et al.		
2019/0211620	A1*		7/2019	Hay, III	E06B 9/02
2019/0264498	A1*		8/2019	Hay, III	E06B 9/02

* cited by examiner

Primary Examiner — Llorelys Martinez

(74) *Attorney, Agent, or Firm* — Michael A. Mann; Nexsen Pruet, LLC

(57) **CLAIM**

The ornamental design for the dimpled lineal for panel attachment over a window, as shown and described.

DESCRIPTION

The present application is related to U.S. design application Ser. No. 35/001,317, filed Jan. 20, 2017.

FIG. 1 is an upper right side perspective view of the dimpled lineal for panel attachment over a window, according to the present design.

FIG. 2 is a front view thereof; the back view is a mirror image of the front view.

FIG. 3 is a right side view thereof.

FIG. 4 is a left side view thereof.

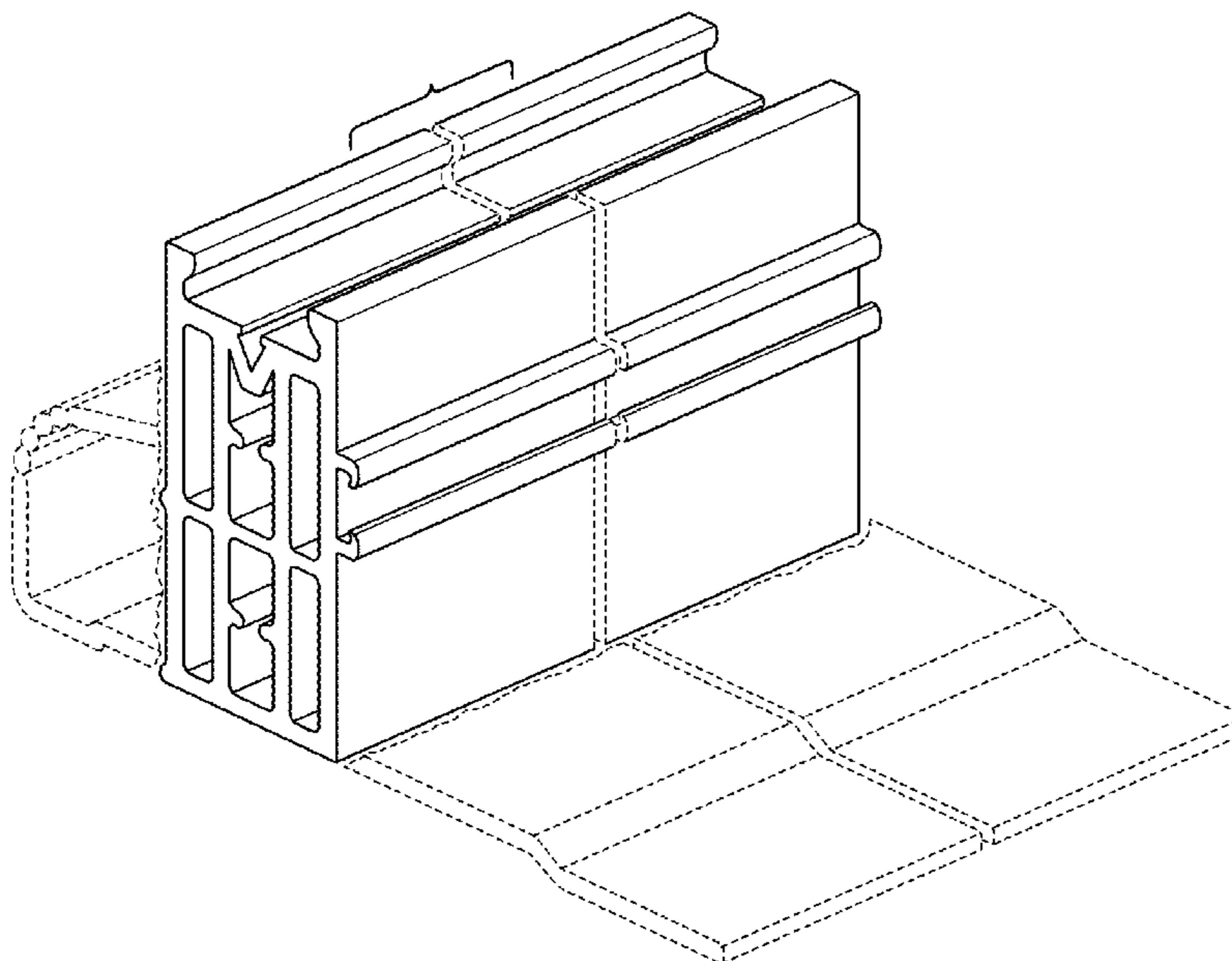
FIG. 5 is a top view thereof; and,

FIG. 6 is a bottom view thereof.

The broken lines in the figures illustrate environmental subject matter only and form no part of the claimed design.

The dimpled lineal for panel attachment over a window is shown with a symbolic break in its length. The appearance of any portion of the dimpled lineal for panel attachment over a window between the break lines forms no part of the claimed design.

1 Claim, 4 Drawing Sheets



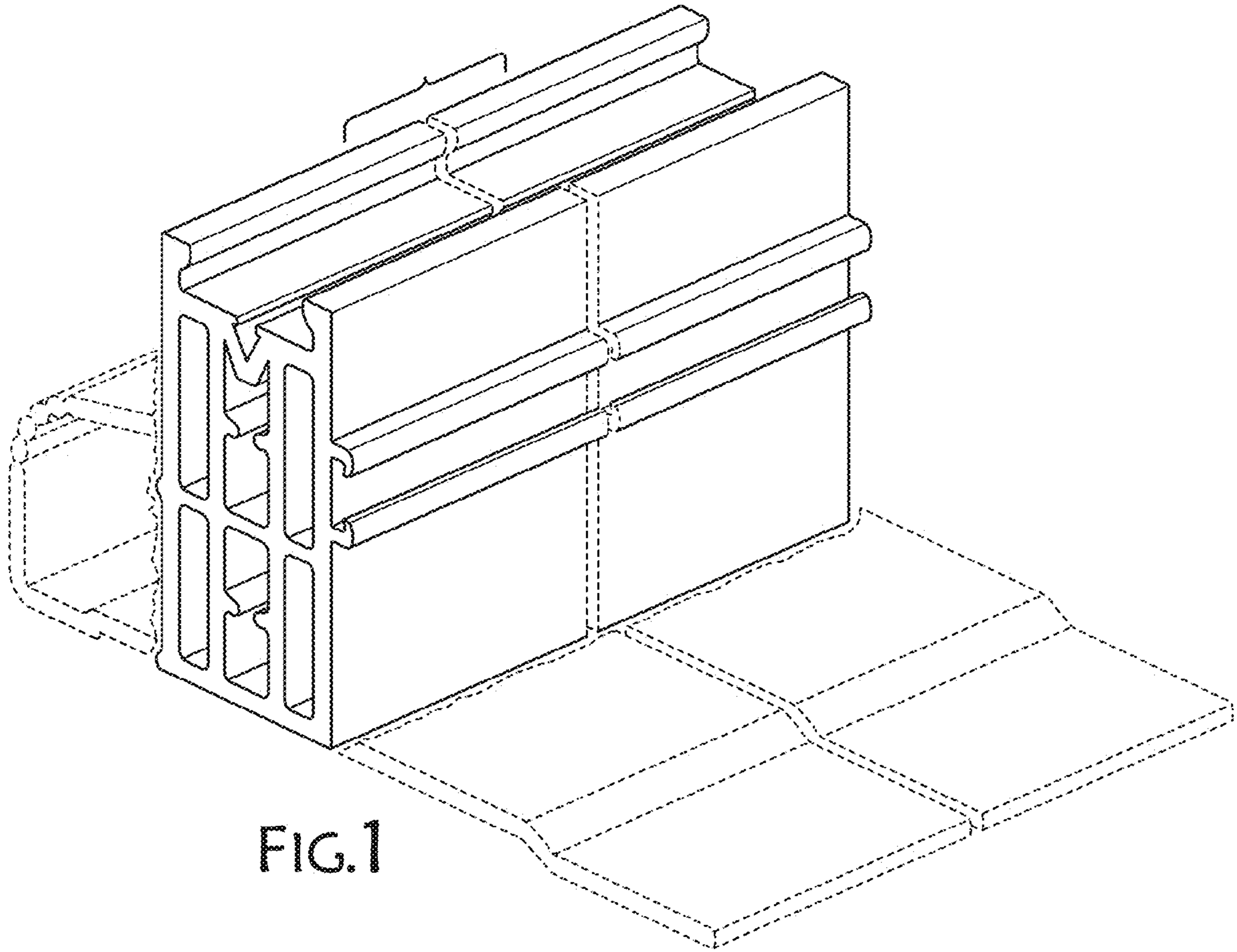


FIG. 1

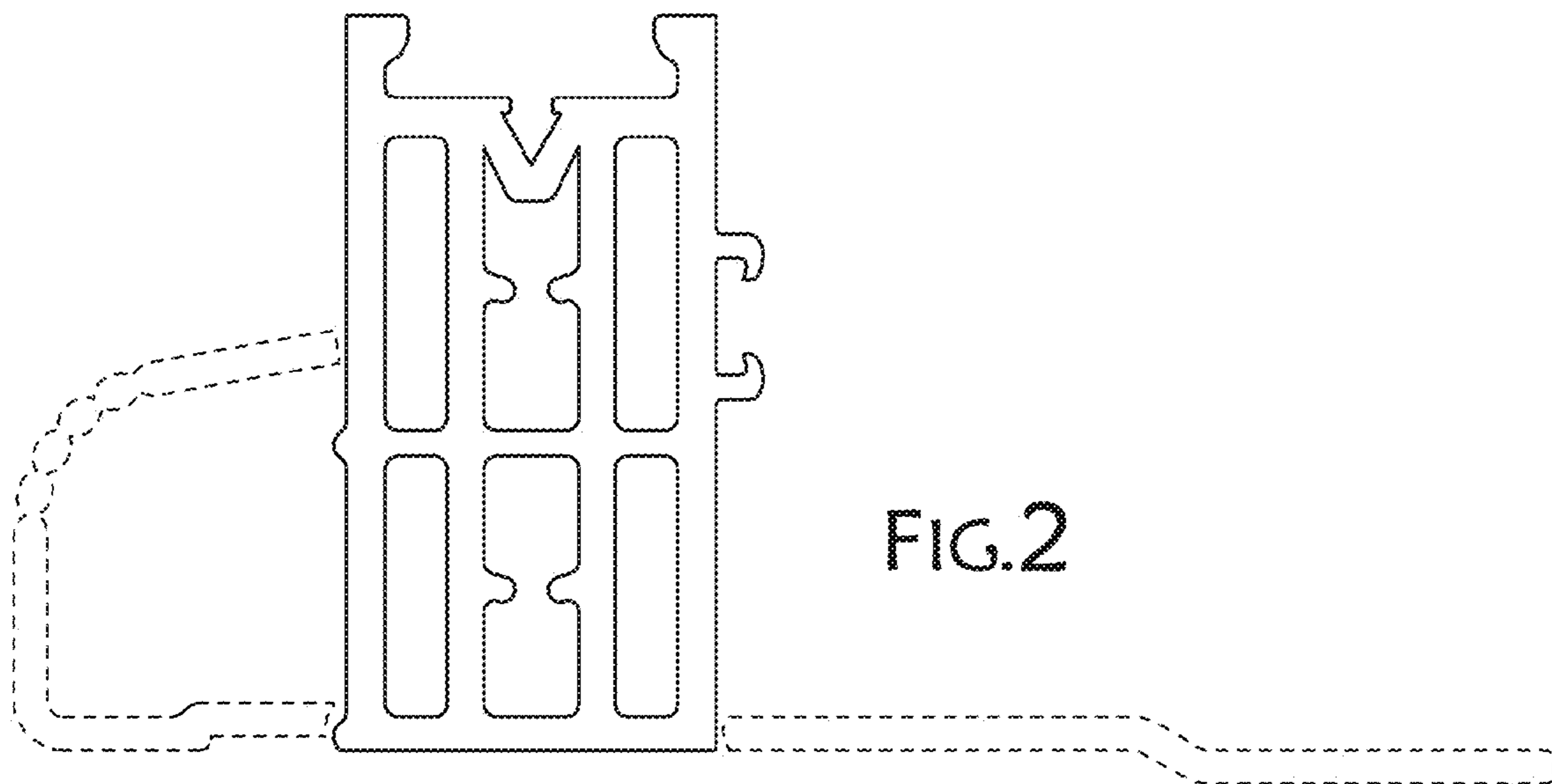


FIG. 2

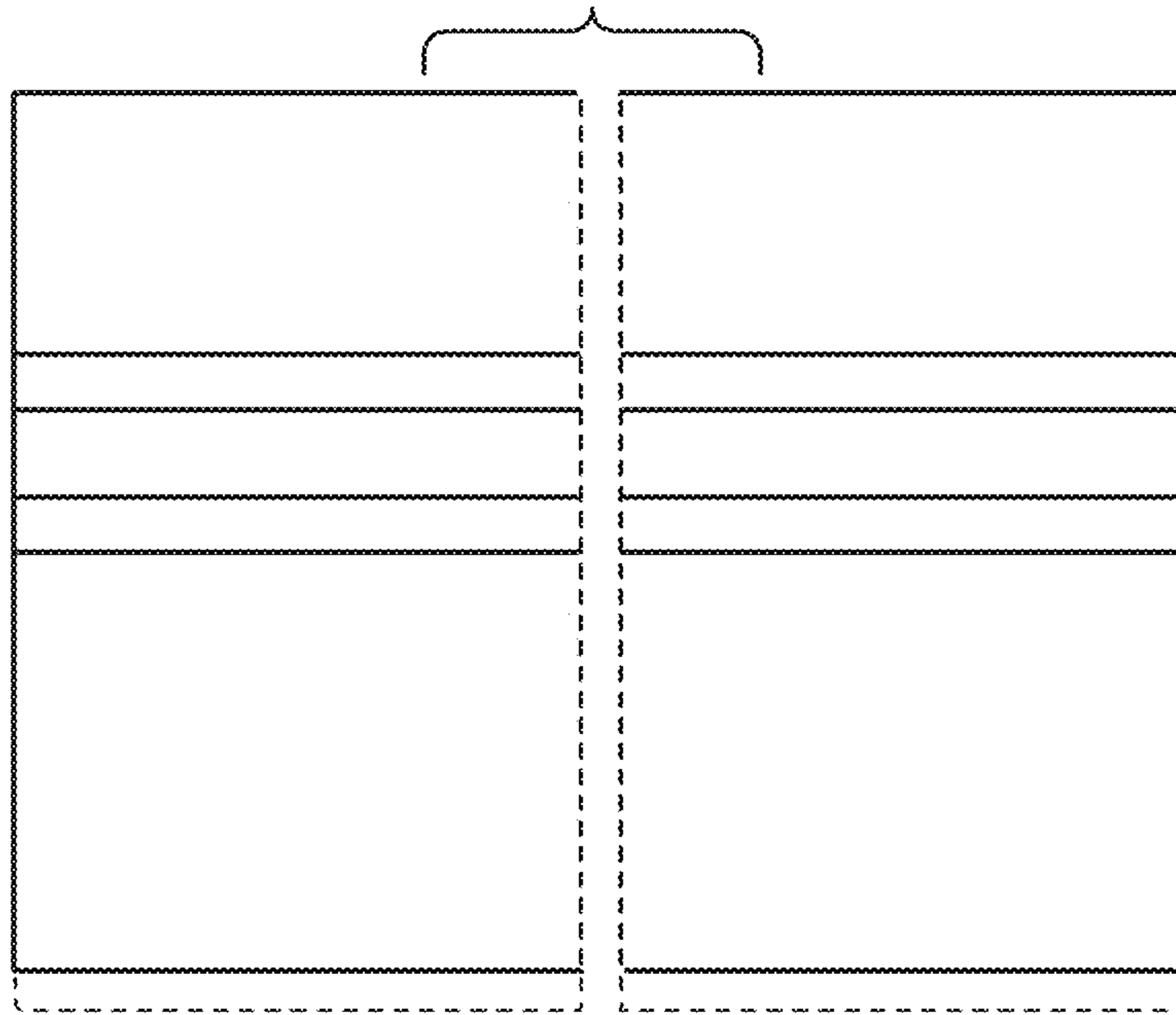


FIG. 3

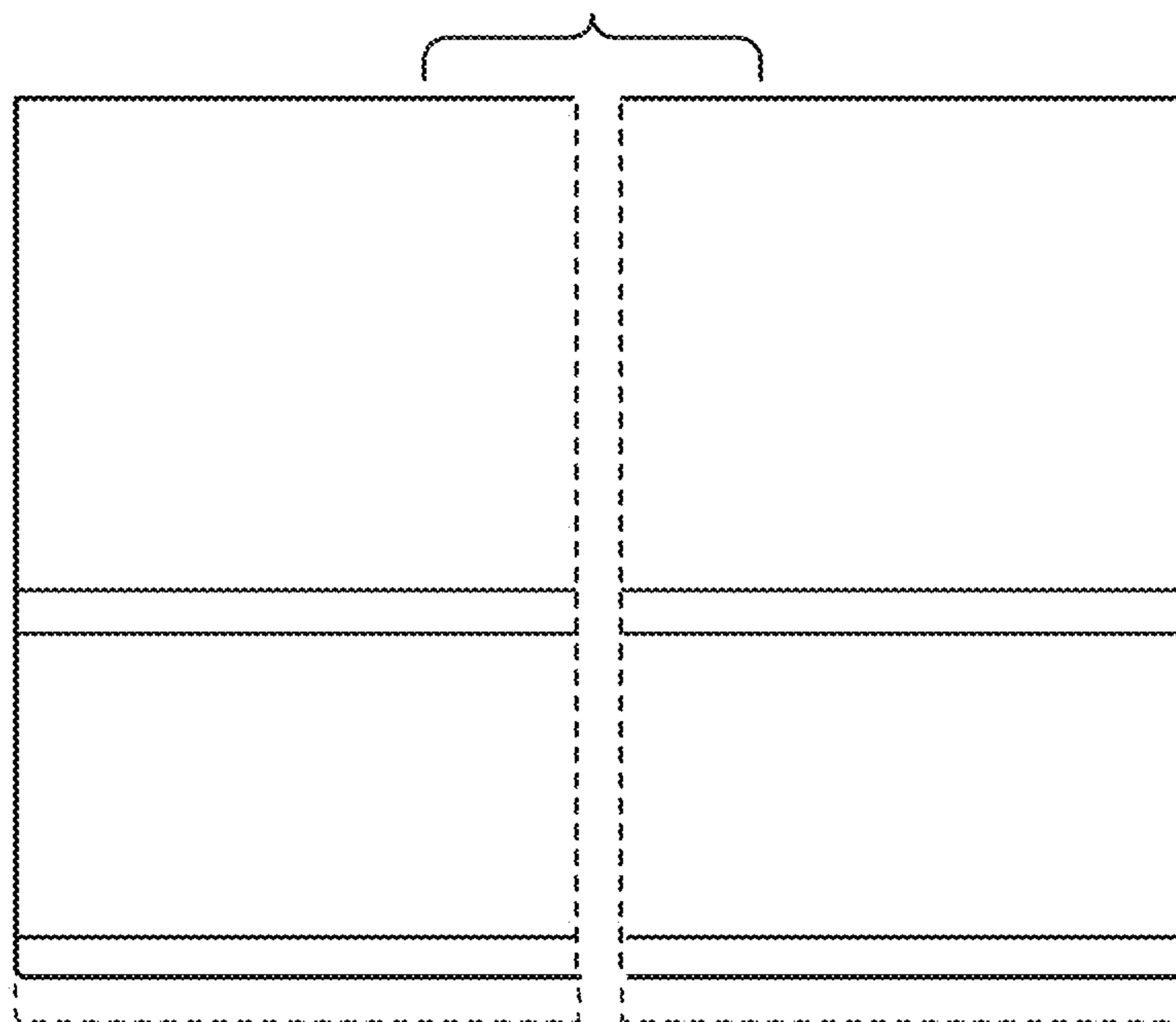


FIG. 4

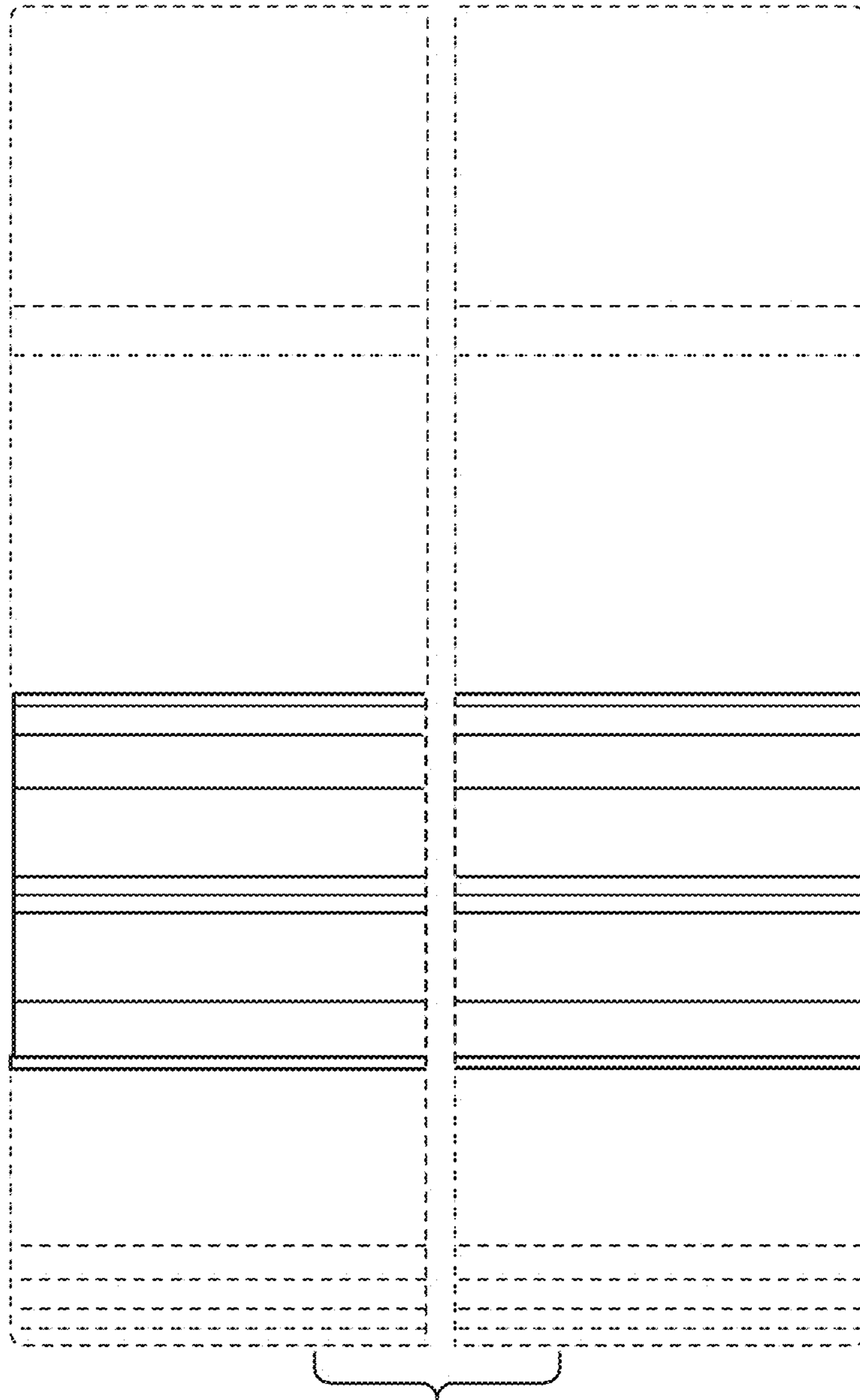


FIG. 5

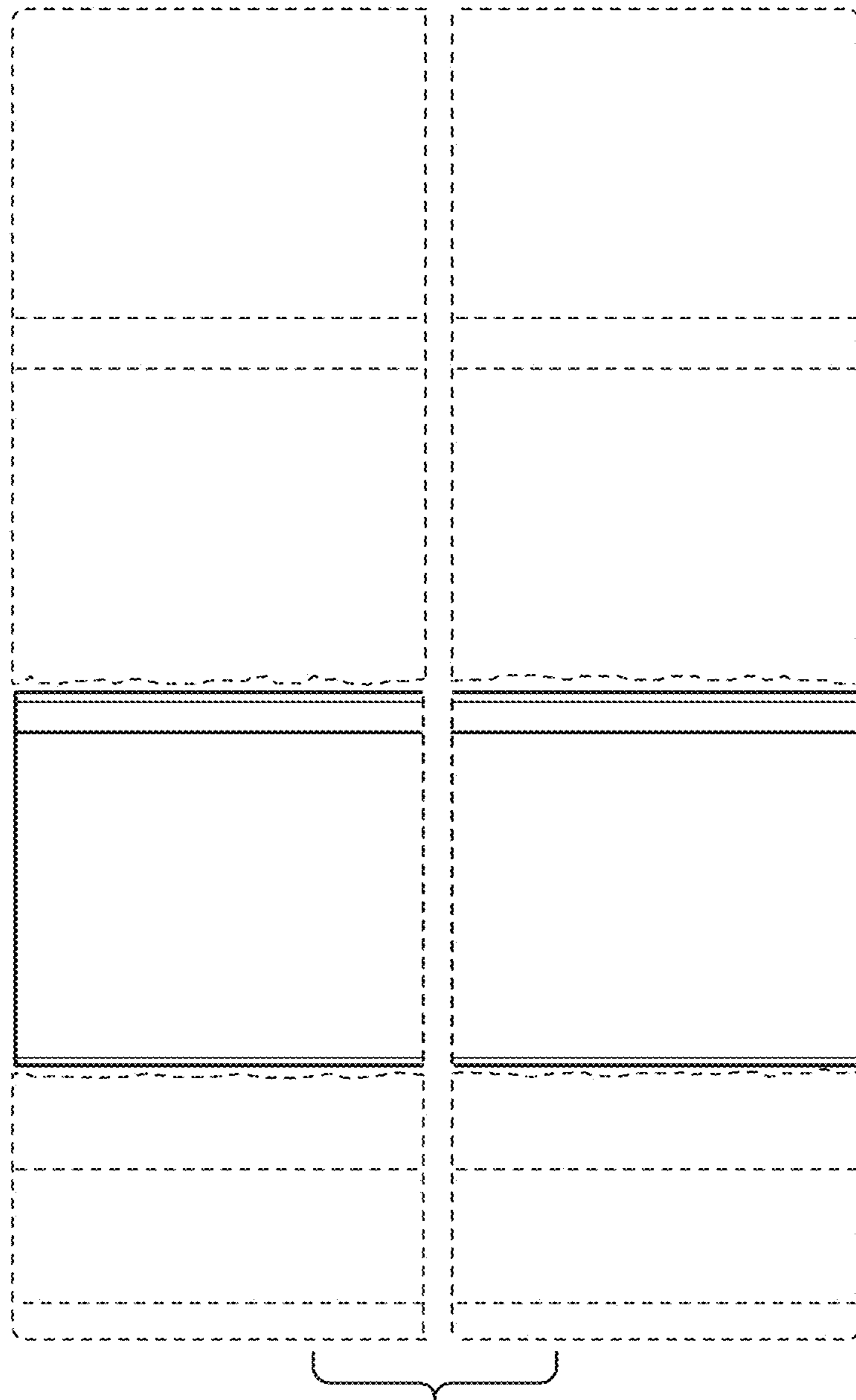


FIG. 6