



US00D905870S

(12) **United States Design Patent** (10) **Patent No.:** **US D905,870 S**
Pivac (45) **Date of Patent:** **** Dec. 22, 2020**

(54) **BUILDING BLOCK**

(56) **References Cited**

(71) Applicant: **FASTBRICK IP PTY LTD**, High Wycombe (AU)

U.S. PATENT DOCUMENTS

(72) Inventor: **Mark Joseph Pivac**, Lesmurdie (AU)

2,703,487 A	3/1955	Ossoinack	
D183,648 S *	10/1958	Conte	D25/118
D266,362 S *	9/1982	Coelho dos Santos	D25/114
4,787,189 A	11/1988	Haug et al.	
D464,441 S *	10/2002	Luaces	D25/114
7,337,589 B2 *	3/2008	Meyer	E04B 2/18 52/286
D608,462 S *	1/2010	Hammer	D25/113
D629,919 S *	12/2010	Meyer	D25/113

(73) Assignee: **FASTBRICK IP PTY LTD**, High Wycombe (AU)

(**) Term: **15 Years**

(Continued)

(21) Appl. No.: **29/694,667**

(22) Filed: **Jun. 12, 2019**

OTHER PUBLICATIONS

Related U.S. Application Data

FBR Hadrian YouTube <https://www.youtube.com/watch?v=264r1Bowyg> (Year: 2018).*

(63) Continuation of application No. 29/642,175, filed on Mar. 28, 2018, now Pat. No. Des. 855,835.

Primary Examiner — Leanne Was-Englehart

(30) **Foreign Application Priority Data**

(74) *Attorney, Agent, or Firm* — Womble Bond Dickinson (US) LLP

Oct. 4, 2017 (AU)	201716066
Oct. 4, 2017 (AU)	201716067
Oct. 4, 2017 (AU)	201716068
Oct. 4, 2017 (AU)	201716069
Oct. 4, 2017 (AU)	201716070
Oct. 4, 2017 (AU)	201716071
Oct. 4, 2017 (AU)	201716072
Oct. 4, 2017 (AU)	201716073
Oct. 4, 2017 (AU)	201716074
Oct. 4, 2017 (AU)	201716075

(57) **CLAIM**

(51) **LOC (12) Cl.** **25-01**

The ornamental design for a building block, as shown and described.

(52) **U.S. Cl.**
USPC **D25/114**

DESCRIPTION

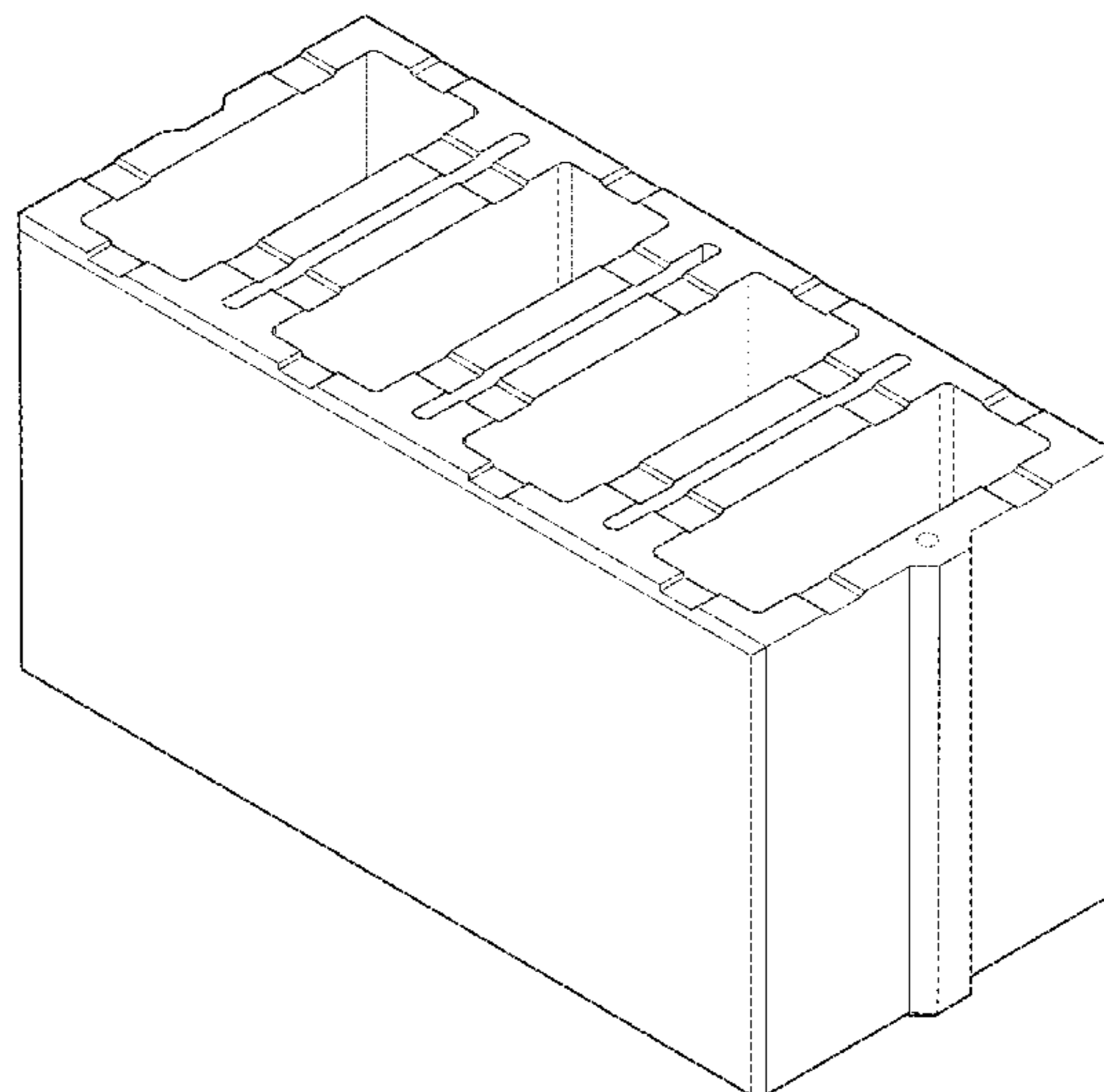
(58) **Field of Classification Search**
USPC D21/484-491, 499-504; D25/102, D25/112-118
CPC E02D 29/0233; E02D 29/025; E02D 29/0266; E04B 2/04; E04B 2/14; E04B 2/18; E04B 2/30; E04B 2/54; E04C 1/39; A63H 33/082

FIG. 1 is a top, front, right perspective view of a building block;
FIG. 2 is a bottom, rear left perspective view thereof;
FIG. 3 is a top plan view thereof;
FIG. 4 is a right side view thereof, the left side view being a mirror image thereof;
FIG. 5 is a bottom plan view thereof;
FIG. 6 is a front plan view thereof; and,
FIG. 7 is a rear side view thereof.

The broken lines depict portions of the building block that form no part of the claimed design.

See application file for complete search history.

1 Claim, 7 Drawing Sheets



(56)

References Cited

U.S. PATENT DOCUMENTS

D673,302 S * 12/2012 D'Avela D25/114
D774,661 S 12/2016 Guerrero et al.
D855,218 S * 7/2019 Santiago D25/114
D855,835 S * 8/2019 Pivac D25/114

* cited by examiner

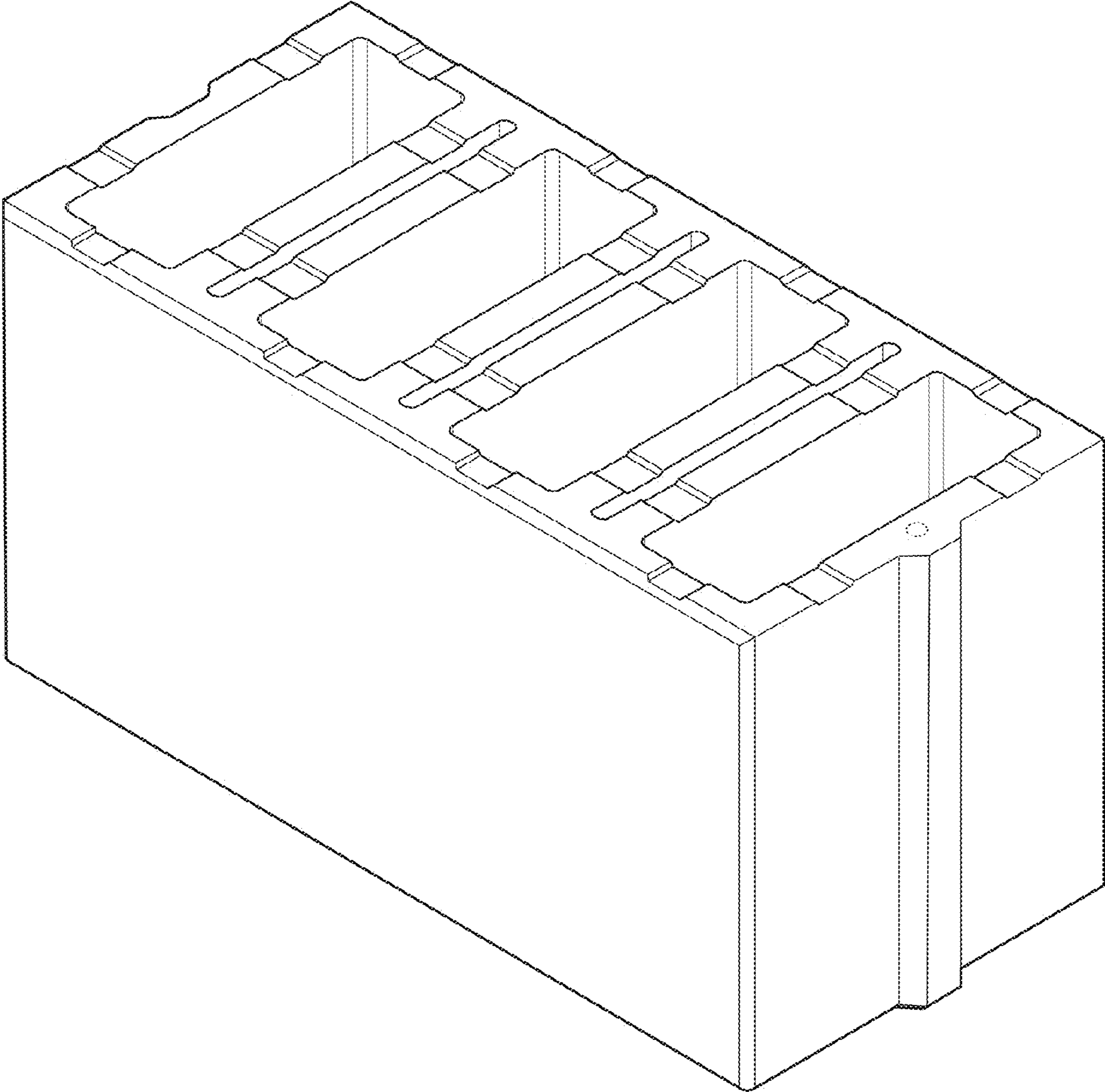


FIG. 1

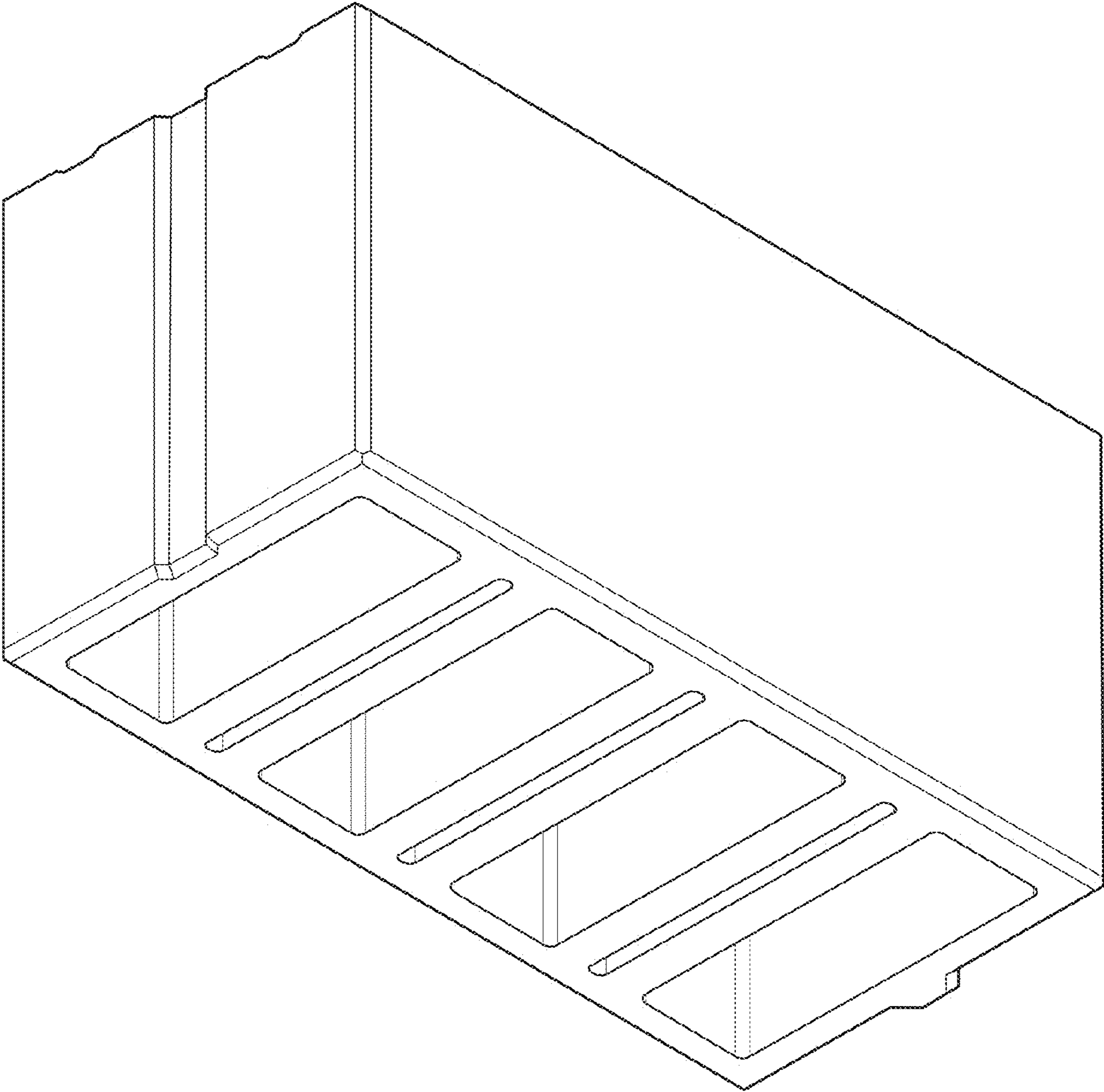


FIG. 2

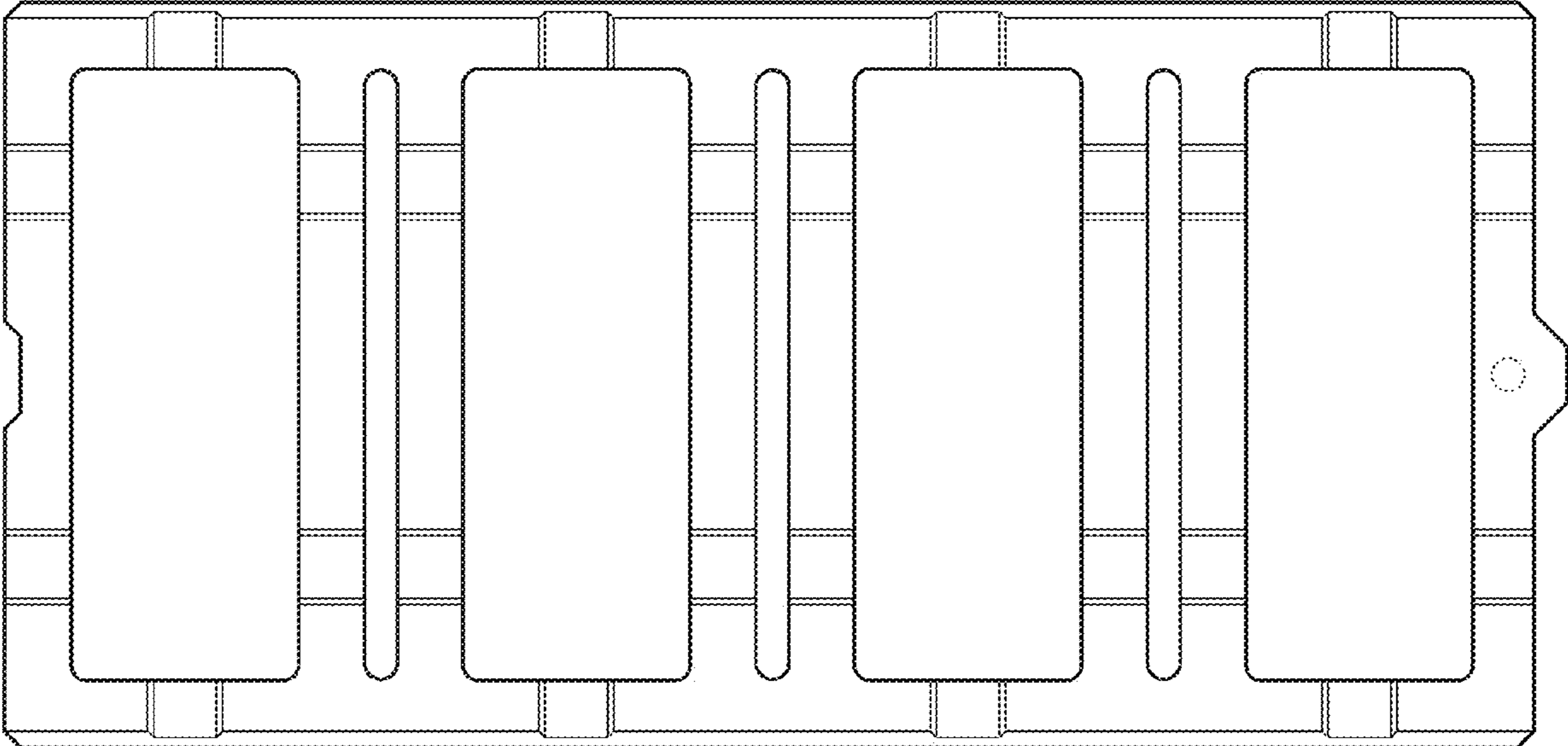


FIG. 3

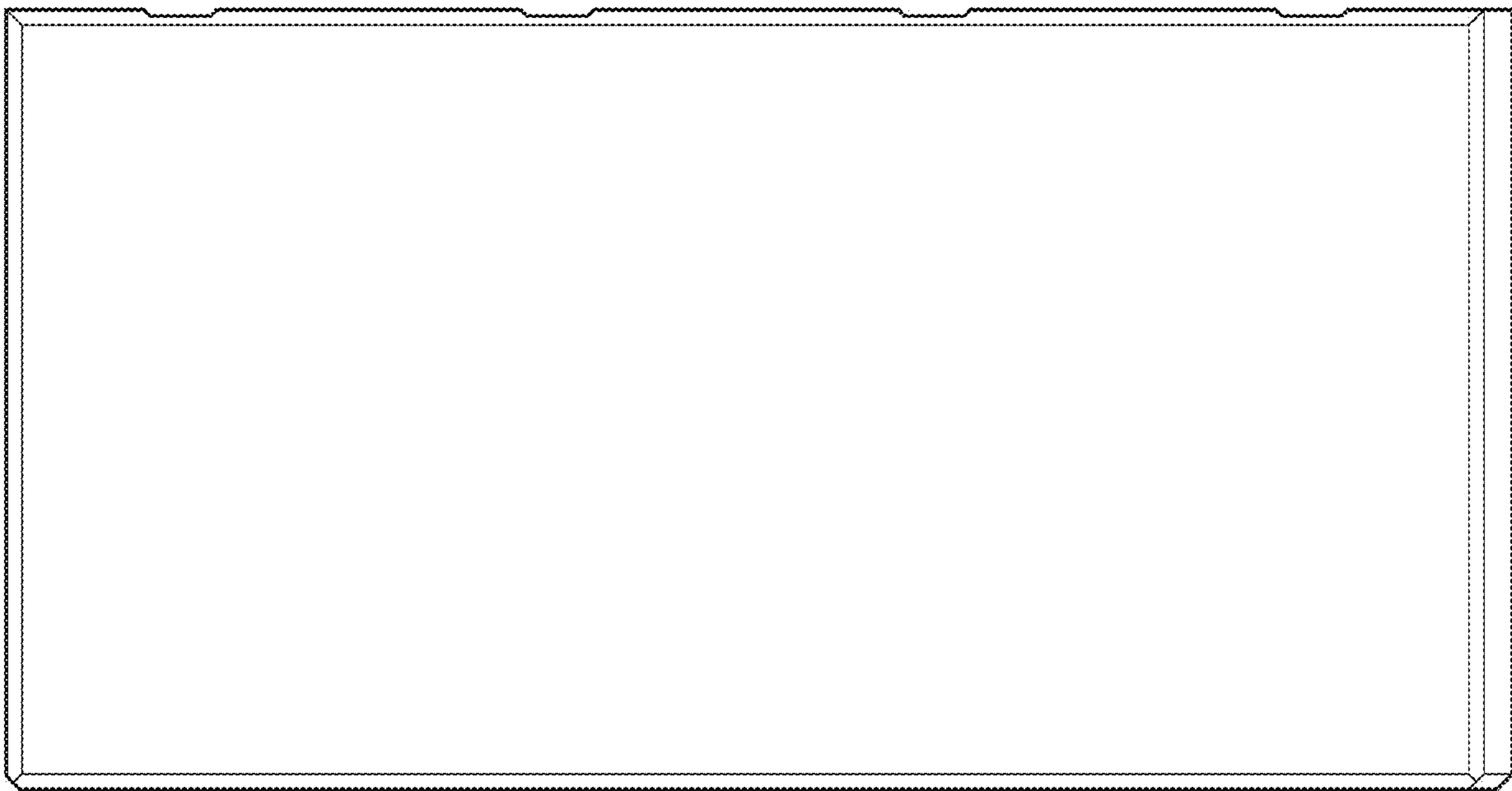


FIG. 4

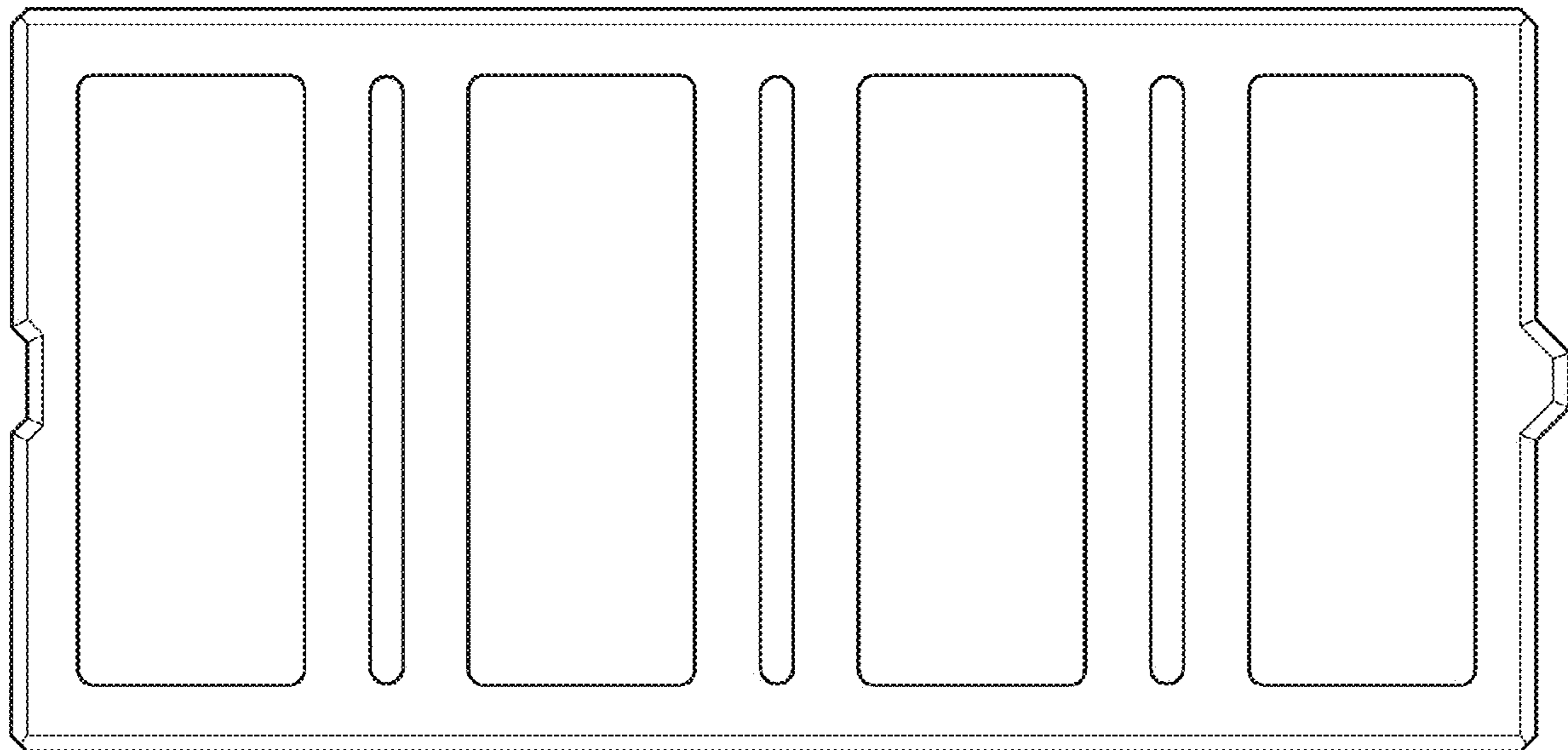


FIG. 5

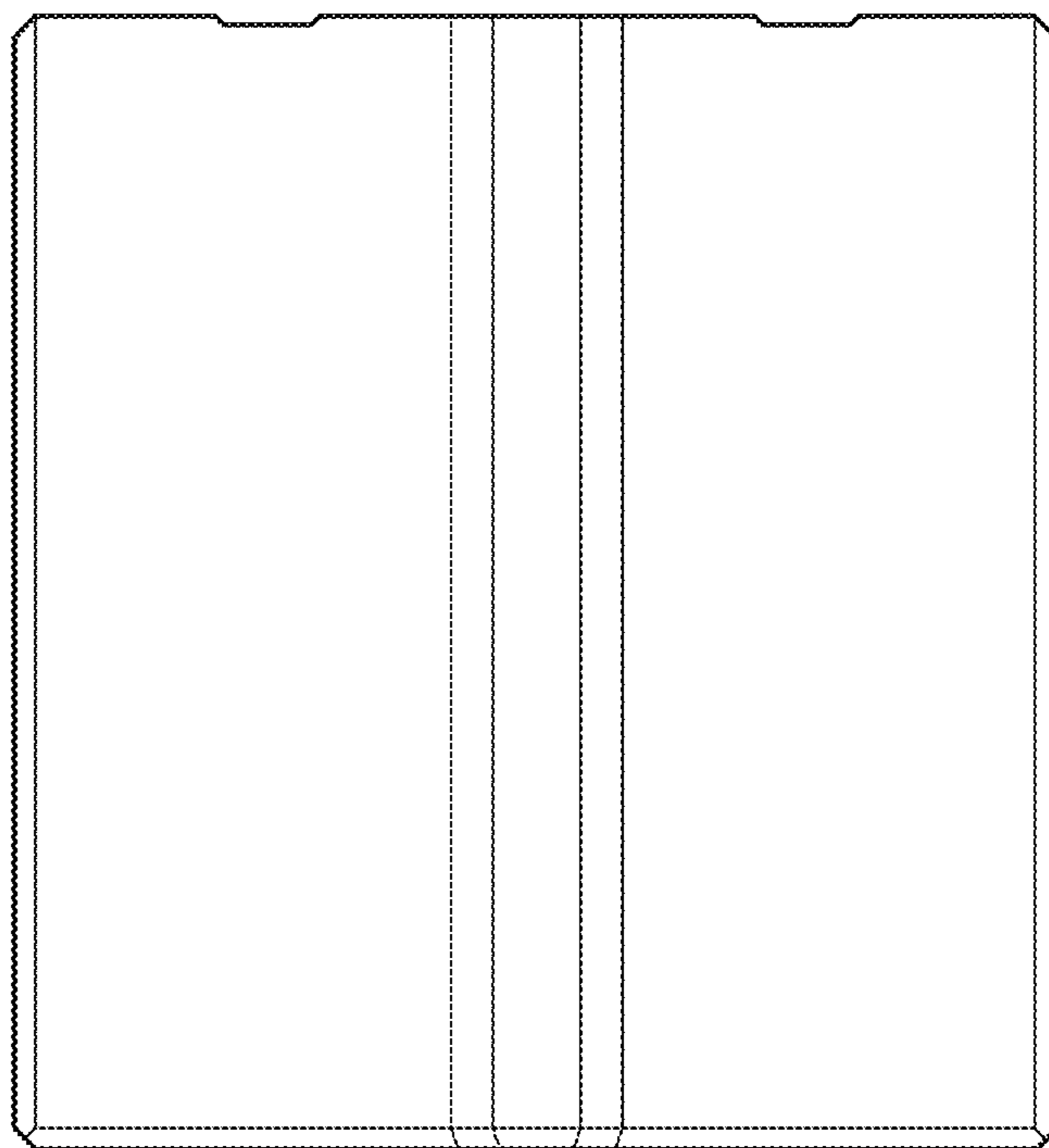


FIG. 6

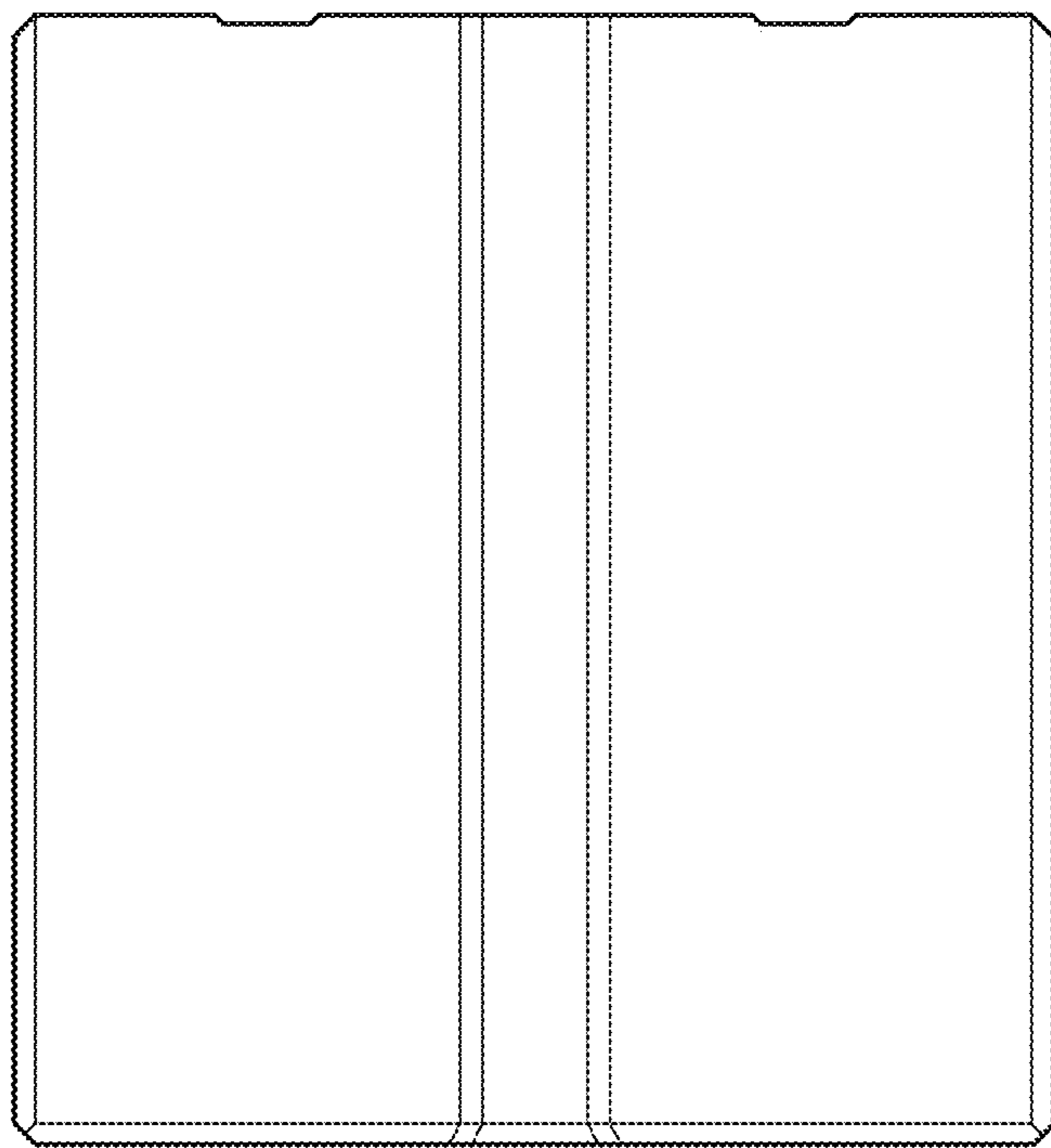


FIG. 7