



US00D905868S

(12) **United States Design Patent** (10) **Patent No.:** **US D905,868 S**
Rowe et al. (45) **Date of Patent:** **** Dec. 22, 2020**

(54) **GAS REGULATORY PRESSURE VESSEL**
(71) Applicant: **EMULATE, Inc.**, Boston, MA (US)
(72) Inventors: **Lewis Rowe**, La Verne, CA (US);
Craig Henshaw, Charleston, MA (US)
(73) Assignee: **EMULATE, Inc.**, Boston, MA (US)
(**) Term: **15 Years**
(21) Appl. No.: **29/618,299**
(22) Filed: **Sep. 20, 2017**
(51) **LOC (12) Cl.** **24-01**
(52) **U.S. Cl.**
USPC **D24/232**
(58) **Field of Classification Search**
USPC D24/186, 121, 216, 219, 224–227, 229,
D24/231, 232; D10/81
CPC B01J 3/03; B01F 13/02; F17C 2005/0338;
F17C 2005/0394; F17C 2005/0397; F17C
5/06
See application file for complete search history.

2004/0065371 A1* 4/2004 Koschany F17C 1/06
137/613
2015/0377417 A1* 12/2015 Rado F17C 5/06
141/369
2017/0307140 A1* 10/2017 Rado F17C 5/06

OTHER PUBLICATIONS

James Coon—Designing for Impact (/blog/designing-forimpact).
Mar. 28, 2019.*

* cited by examiner

Primary Examiner — Anhdao Doan

(74) *Attorney, Agent, or Firm* — Medlen & Carroll, LLP

(57) **CLAIM**

The ornamental design for a gas regulatory pressure vessel,
as shown and described.

DESCRIPTION

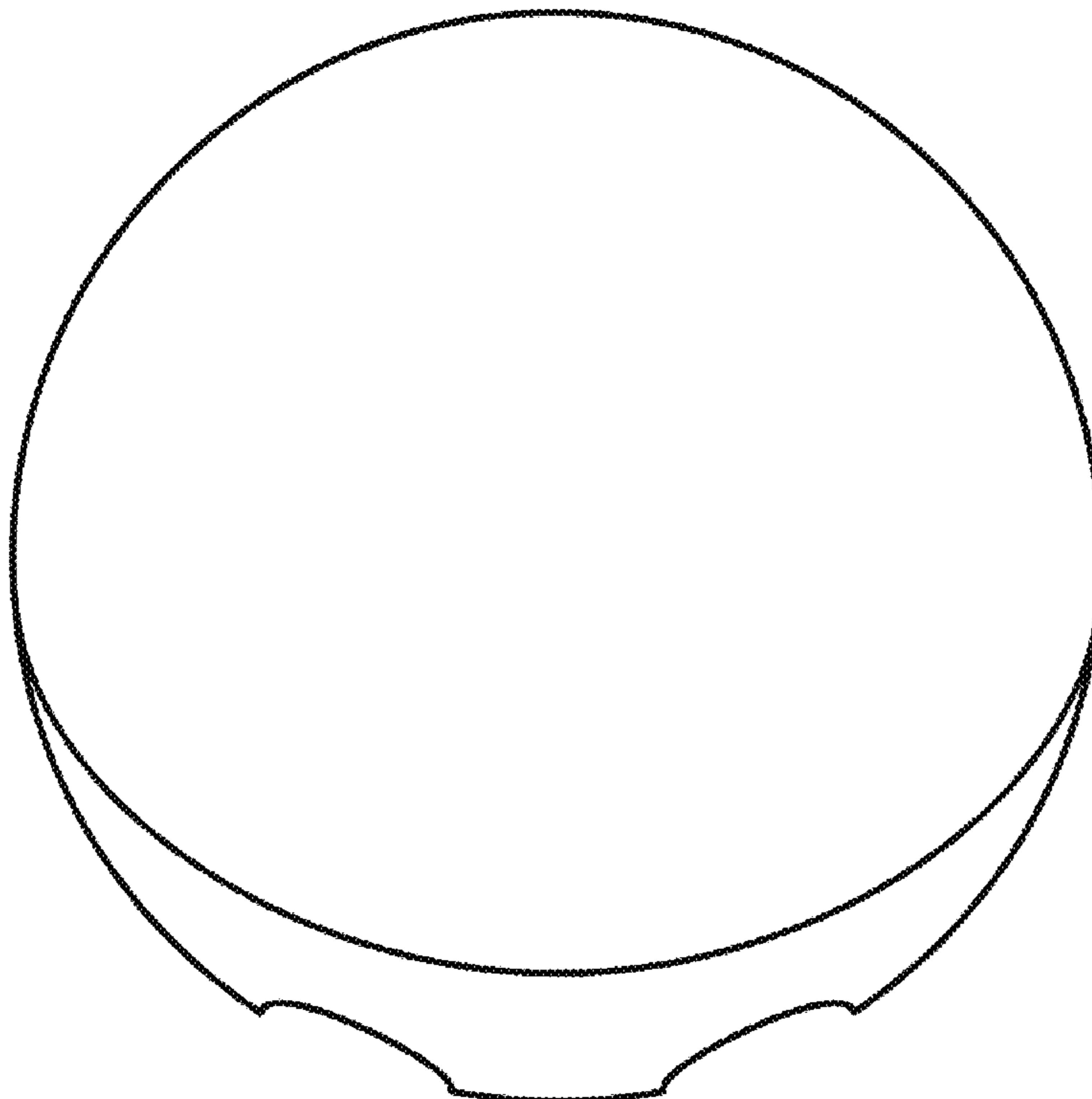
FIG. 1 is a top view of a gas regulatory pressure vessel;
FIG. 2 is a bottom view thereof;
FIG. 3 is a front view thereof;
FIG. 4 is a rear view thereof;
FIG. 5 is a first lateral view thereof; and,
FIG. 6 is a second lateral view thereof.
The broken lines depict portions of the gas regulatory
pressure vessel that form no part of the claimed design; the
broken lines form no part of the claimed design.

1 Claim, 6 Drawing Sheets

(56) **References Cited**

U.S. PATENT DOCUMENTS

D316,897 S * 5/1991 Burger D24/232
D360,265 S * 7/1995 Thomas D24/232
D431,481 S * 10/2000 Bruhn D10/81
D773,327 S * 12/2016 Furuya D10/81
D804,653 S * 12/2017 Clark D24/121
D812,766 S * 3/2018 Levner D24/224
D830,867 S * 10/2018 Abellon D24/216



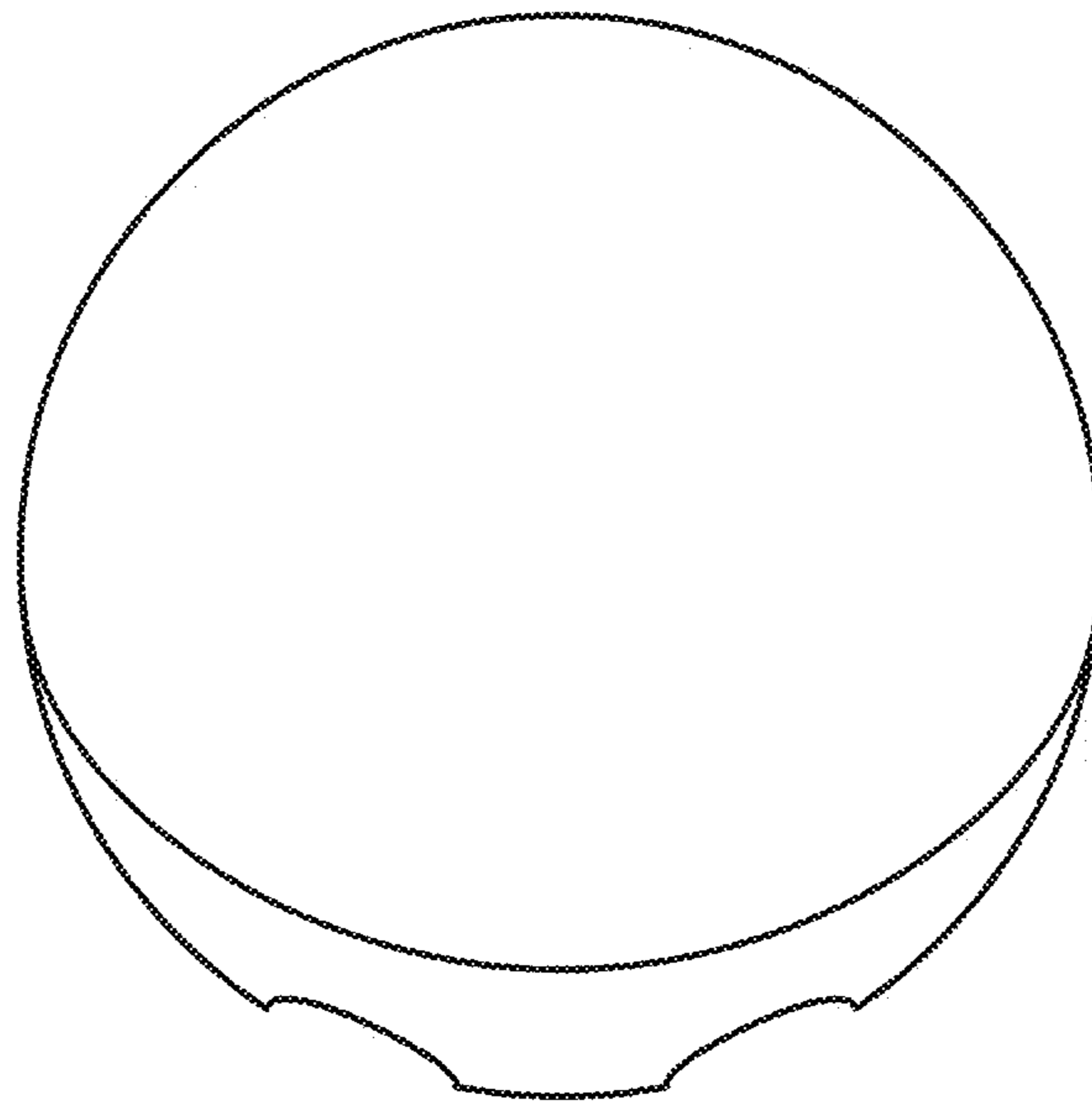


FIG. 1

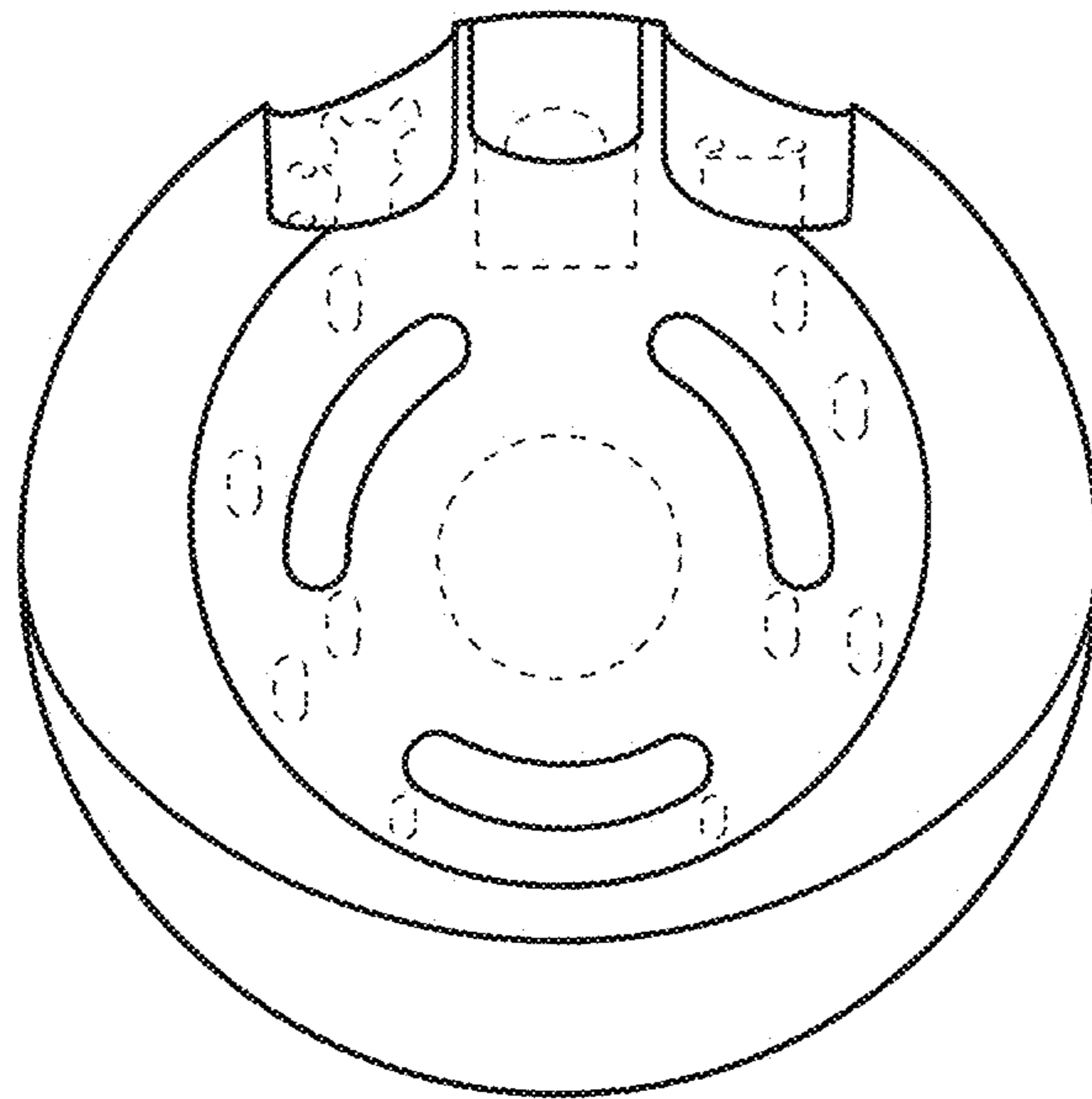


FIG. 2

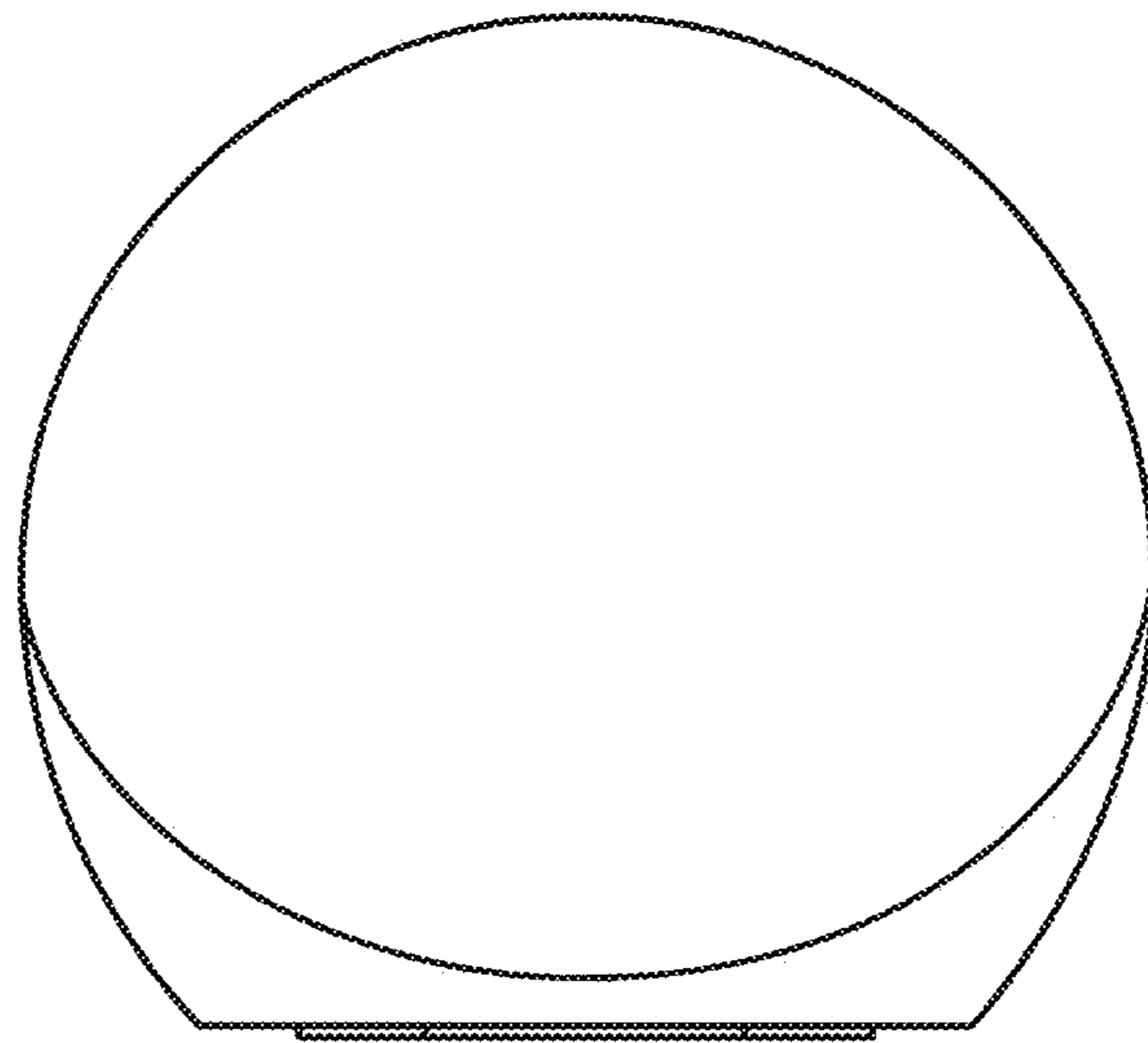


FIG. 3

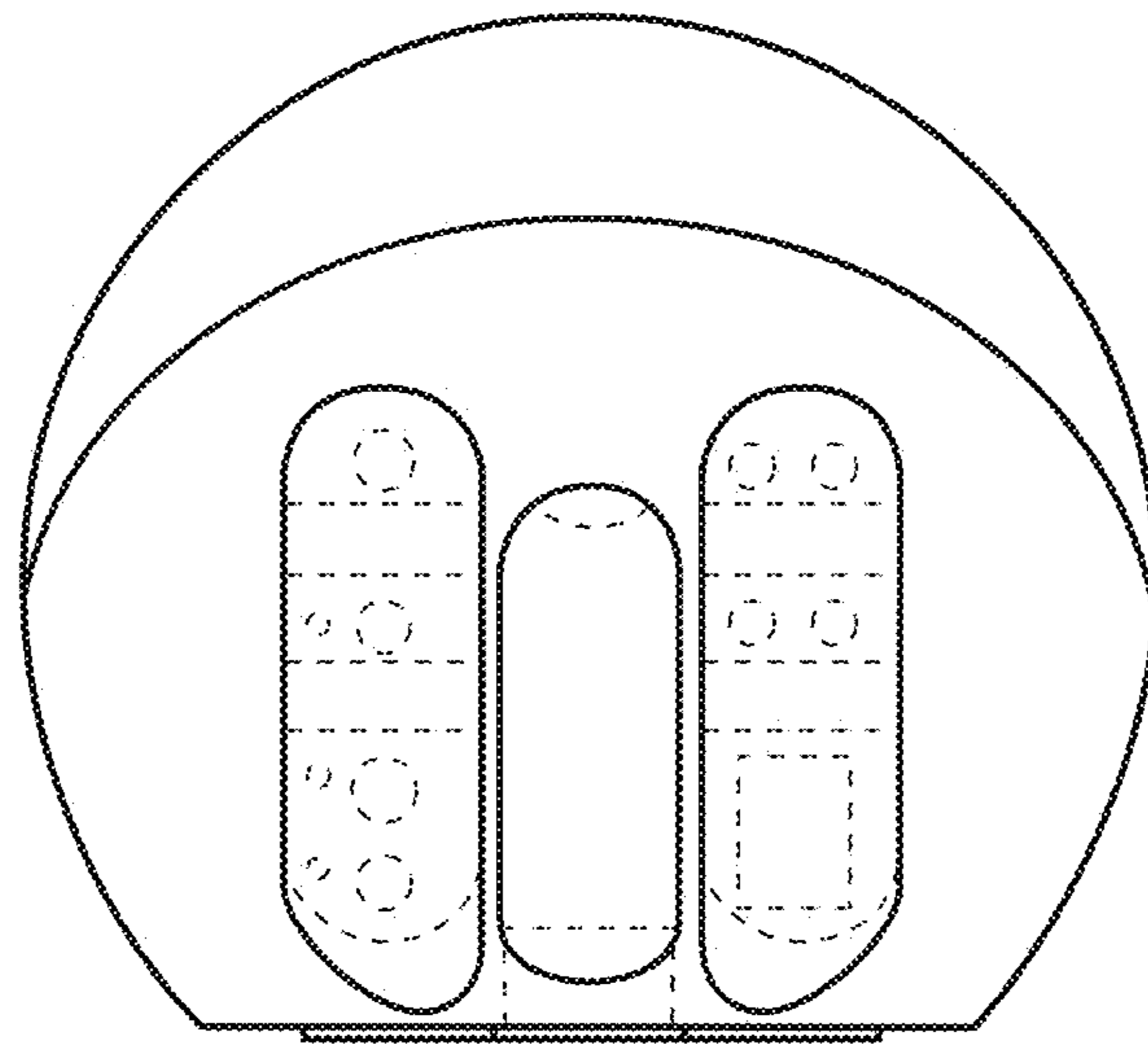


FIG. 4

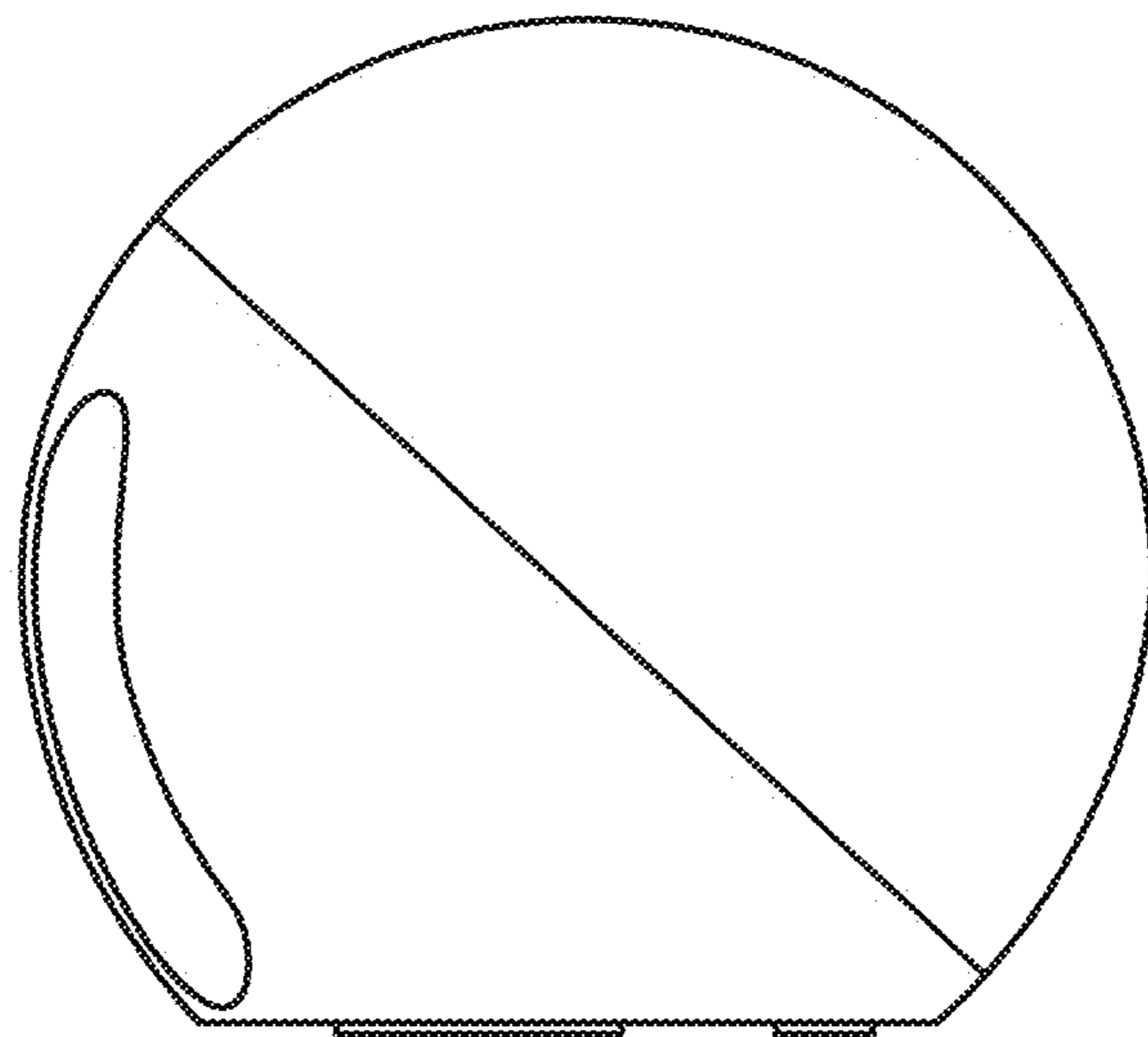


FIG. 5

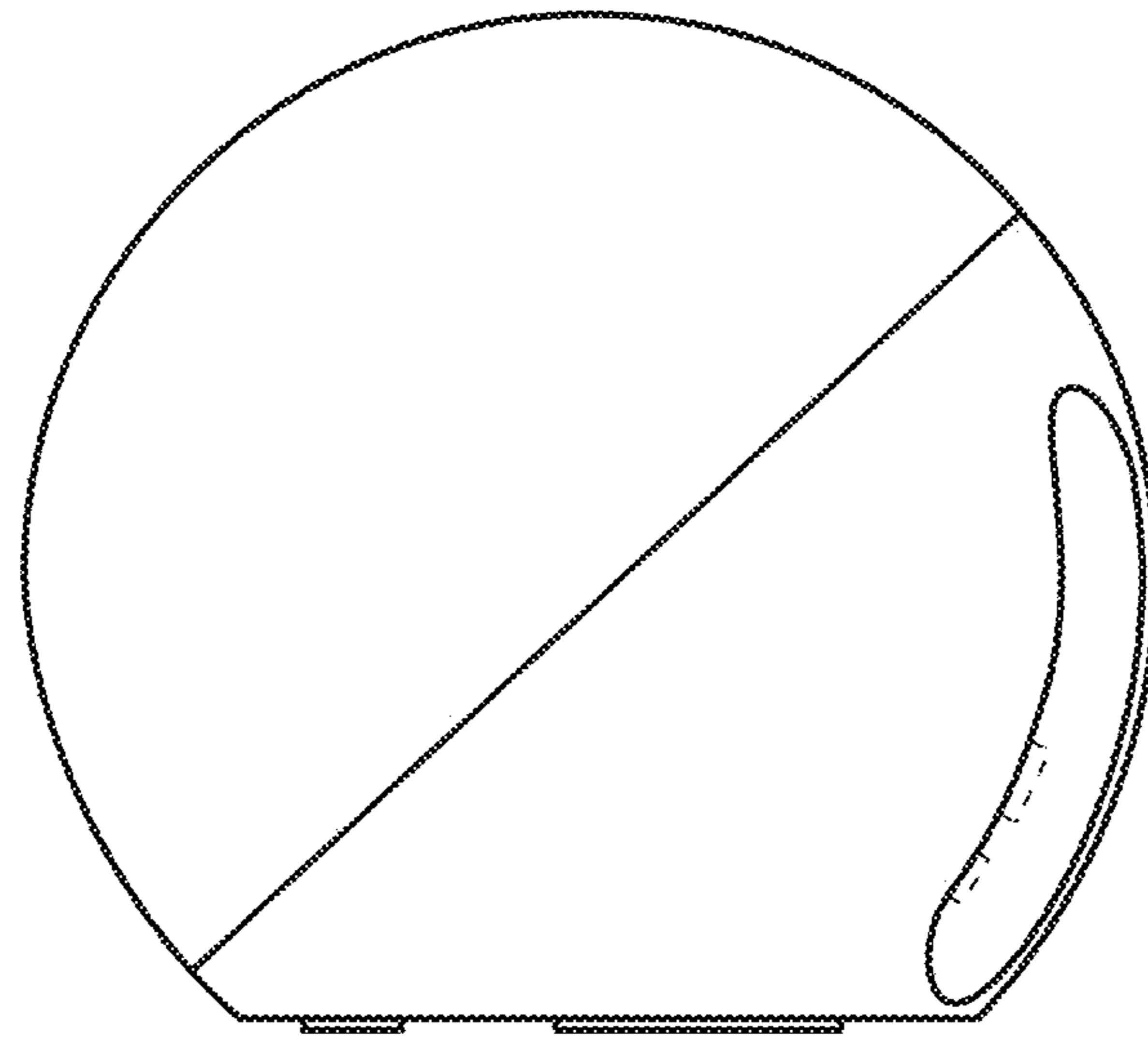


FIG. 6