



US00D905867S

(12) **United States Design Patent** (10) **Patent No.:** **US D905,867 S**
Robinson et al. (45) **Date of Patent:** **** Dec. 22, 2020**

(54) **BULK SAMPLE TRAY**
(71) Applicant: **Devicor Medical Products, Inc.,**
Cincinnati, OH (US)
(72) Inventors: **Andrew Robinson,** Cincinnati, OH
(US); **Rachel Yoon Chung,** Studio
City, CA (US); **Mark A. Graham,**
Maineville, OH (US); **Andrew P. Nock,**
Dayton, OH (US)
(73) Assignee: **Devicor Medical Products, Inc.,**
Cincinnati, OH (US)

(**) Term: **15 Years**

(21) Appl. No.: **29/661,952**
(22) Filed: **Aug. 31, 2018**
(51) **LOC (12) Cl.** **24-02**
(52) **U.S. Cl.**
USPC **D24/227**
(58) **Field of Classification Search**
USPC D24/156, 127-128, 185, 216-232;
D7/354, 361, 500, 550.1, 554.3, 587, 602;
D3/304, 307, 308, 314, 315
CPC A61B 50/36; A61B 2050/3011
See application file for complete search history.

(56) **References Cited**

U.S. PATENT DOCUMENTS

2,826,347 A * 3/1958 Schiavo A61J 7/0069
206/427
D246,288 S * 11/1977 Boucher D7/587
D276,462 S * 11/1984 Villarreal D24/229
D282,966 S * 3/1986 Brown D24/229
D378,561 S * 3/1997 Ferris D7/359
6,365,115 B1 * 4/2002 Wood A61L 2/26
206/370
D493,256 S * 7/2004 Kim D24/230
D531,734 S * 11/2006 Haunschild D24/217
D537,950 S * 3/2007 Haunschild D24/217

D557,814 S * 12/2007 Glenn D24/217
D618,821 S * 6/2010 Larsen D24/227
D737,103 S * 8/2015 Cloutier D7/554.2
10,028,730 B2 7/2018 Fiebig et al.
10,064,607 B2 9/2018 Keller et al.
D847,372 S * 4/2019 Crawford D24/227
D851,277 S * 6/2019 De Soto D24/229
2002/0071799 A1 * 6/2002 Wood A61L 2/26
422/300
2012/0085720 A1 * 4/2012 Bettenhausen A61L 2/26
211/85.13
2015/0327842 A1 11/2015 Rhad et al.
2016/0166331 A1 6/2016 Leimbach et al.
2017/0311935 A1 11/2017 Chung et al.
(Continued)

OTHER PUBLICATIONS

Chinese Office Action, First Notification to Make Rectification,
dated Nov. 28, 2018 for Application No. CN 201830489110.8, 1 pg.

Primary Examiner — Janice Hallmark
Assistant Examiner — Omeed Agilee
(74) *Attorney, Agent, or Firm* — Frost Brown Todd LLC

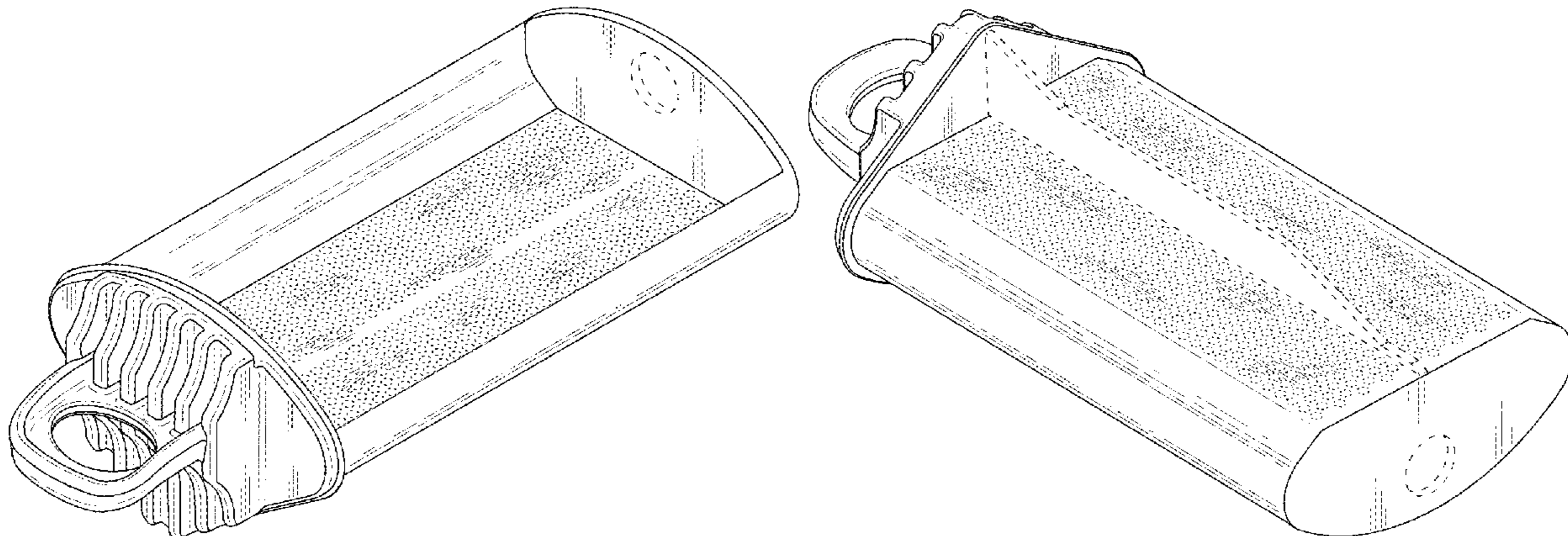
(57) **CLAIM**

The ornamental design for a bulk sample tray, as shown and
described.

DESCRIPTION

FIG. 1 is a top perspective view of a bulk sample tray,
showing our new design;
FIG. 2 is a bottom perspective view thereof;
FIG. 3 is a front elevational view thereof;
FIG. 4 is a back elevational view thereof;
FIG. 5 is a left elevational view thereof;
FIG. 6 is a right elevational view thereof;
FIG. 7 is a top plan view thereof; and,
FIG. 8 is a bottom plan view thereof.
The broken lines in the drawings depict portions of the bulk
sample tray that form no part of the claimed design.

1 Claim, 6 Drawing Sheets



(56)

References Cited

U.S. PATENT DOCUMENTS

2018/0153524 A1 6/2018 Nock et al.
2018/0153526 A1 6/2018 Nock et al.
2018/0153529 A1 6/2018 Nock et al.
2018/0242959 A1 8/2018 Keller
2018/0325500 A1 11/2018 Shuart et al.
2018/0325501 A1 11/2018 Robinson et al.

* cited by examiner

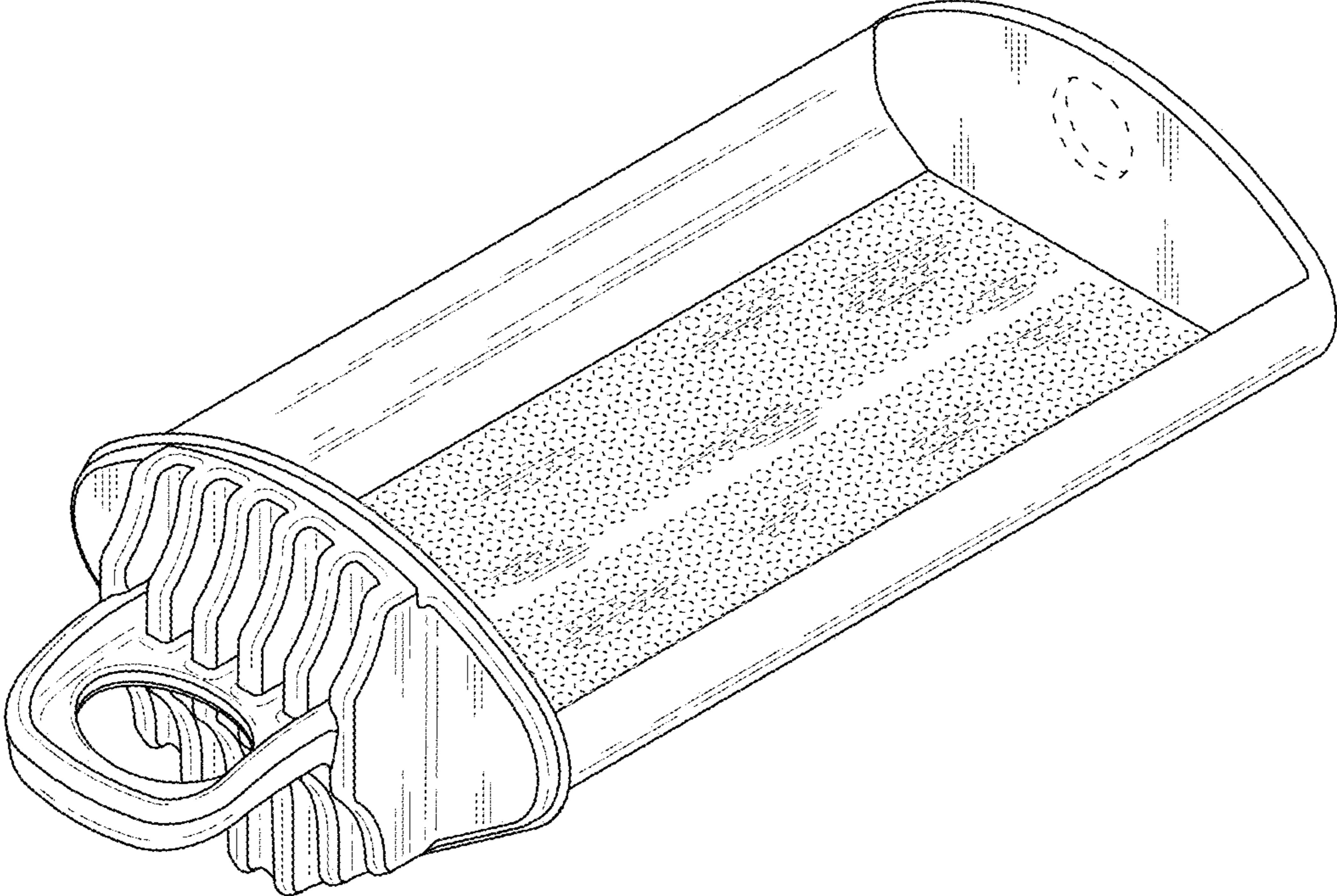


FIG. 1

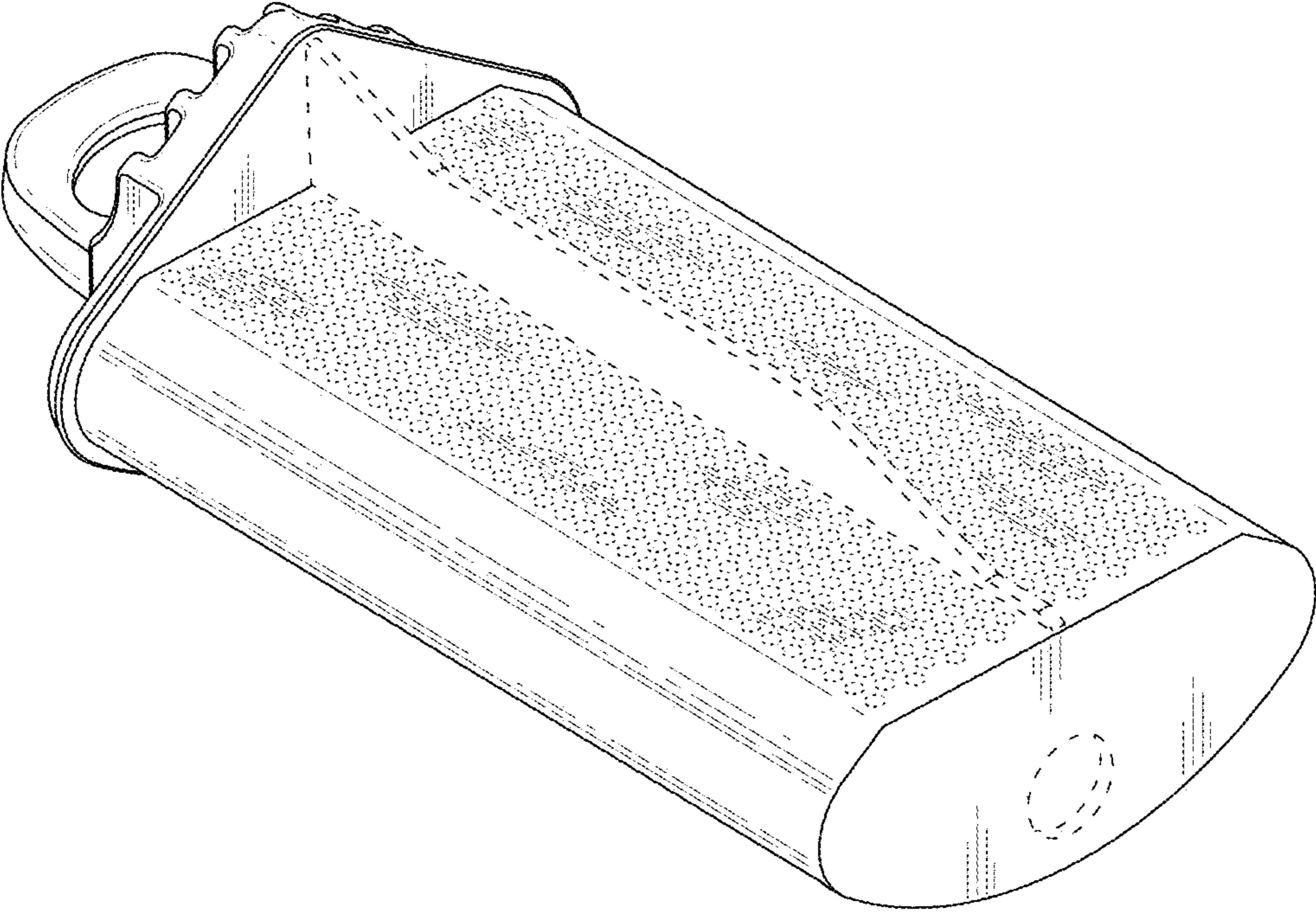


FIG. 2

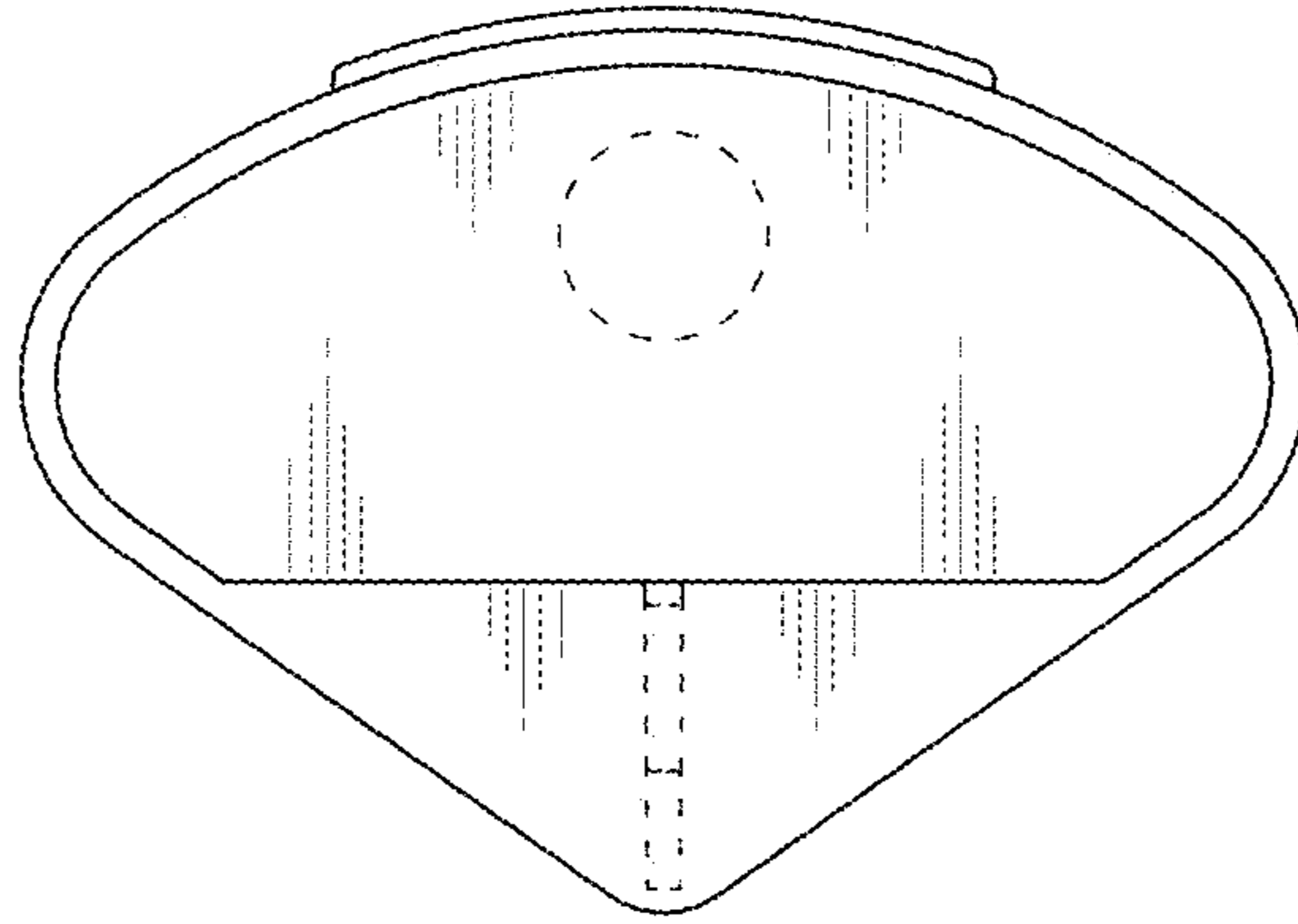


FIG. 3

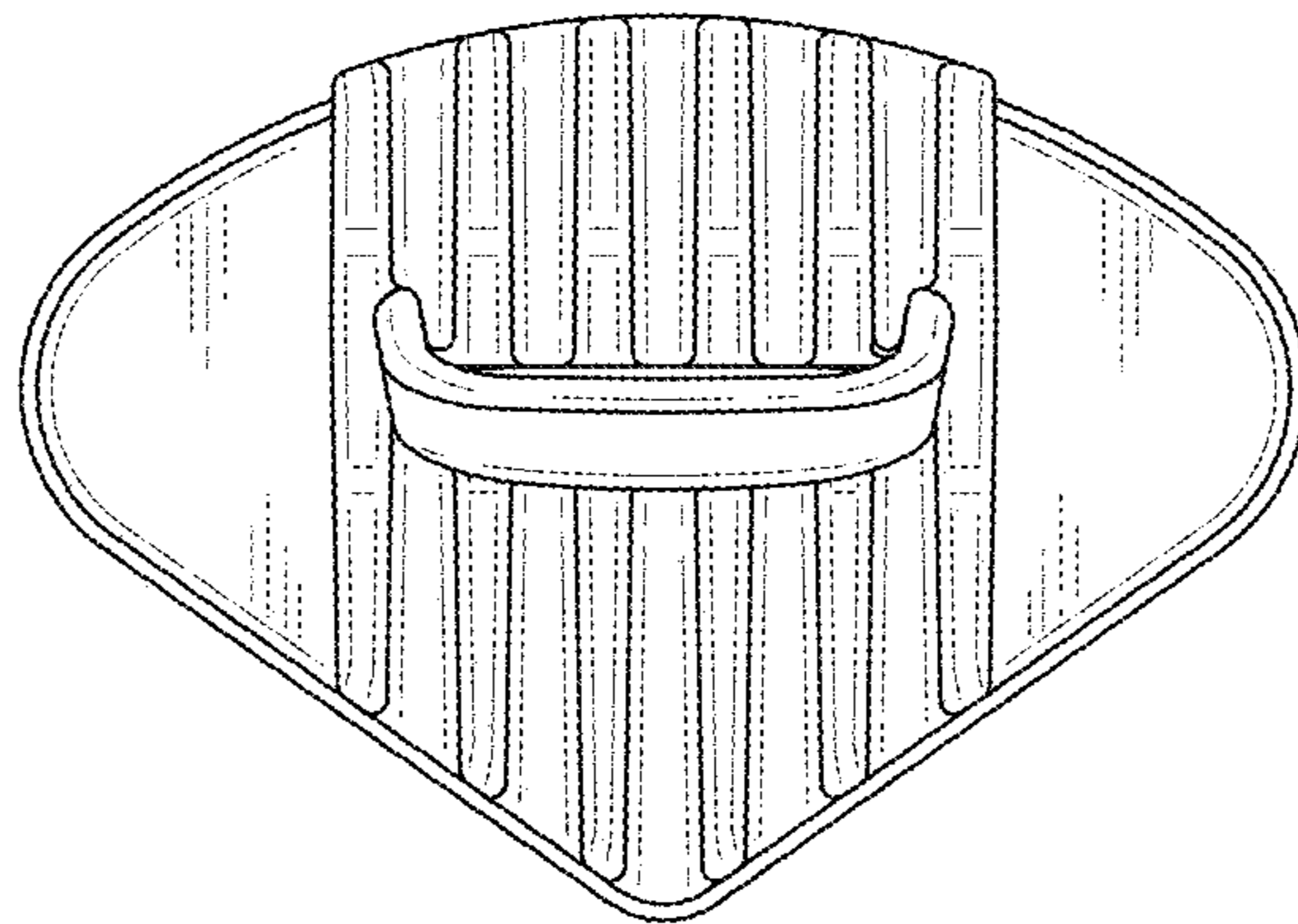


FIG. 4

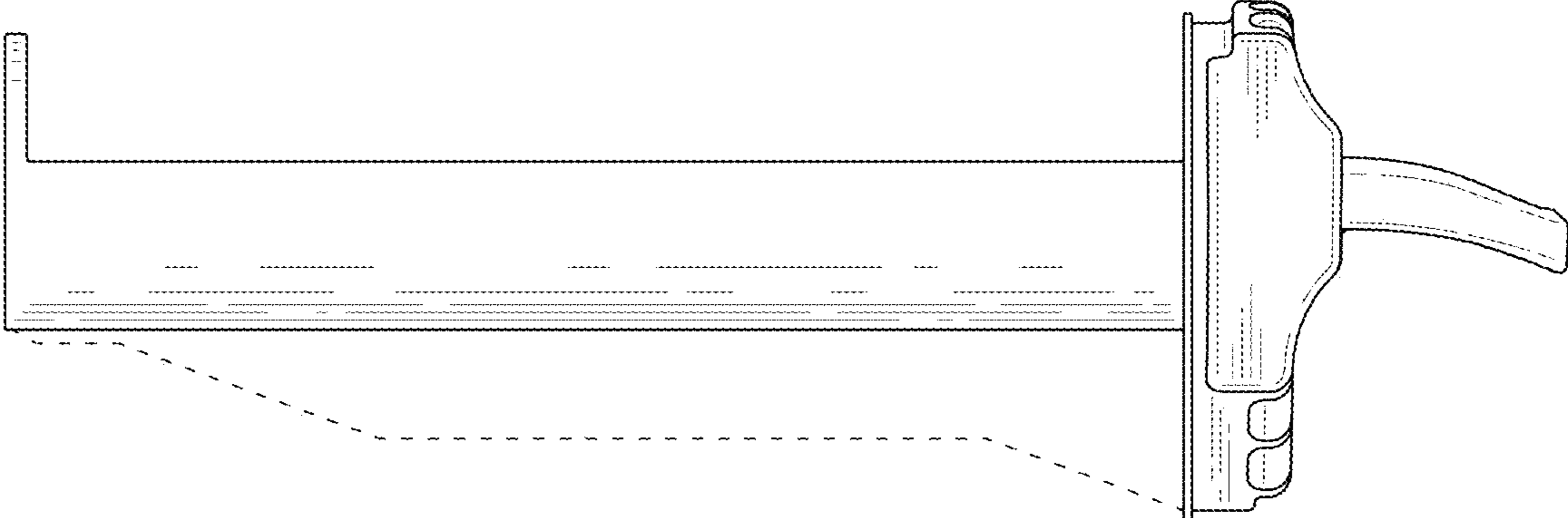


FIG. 5

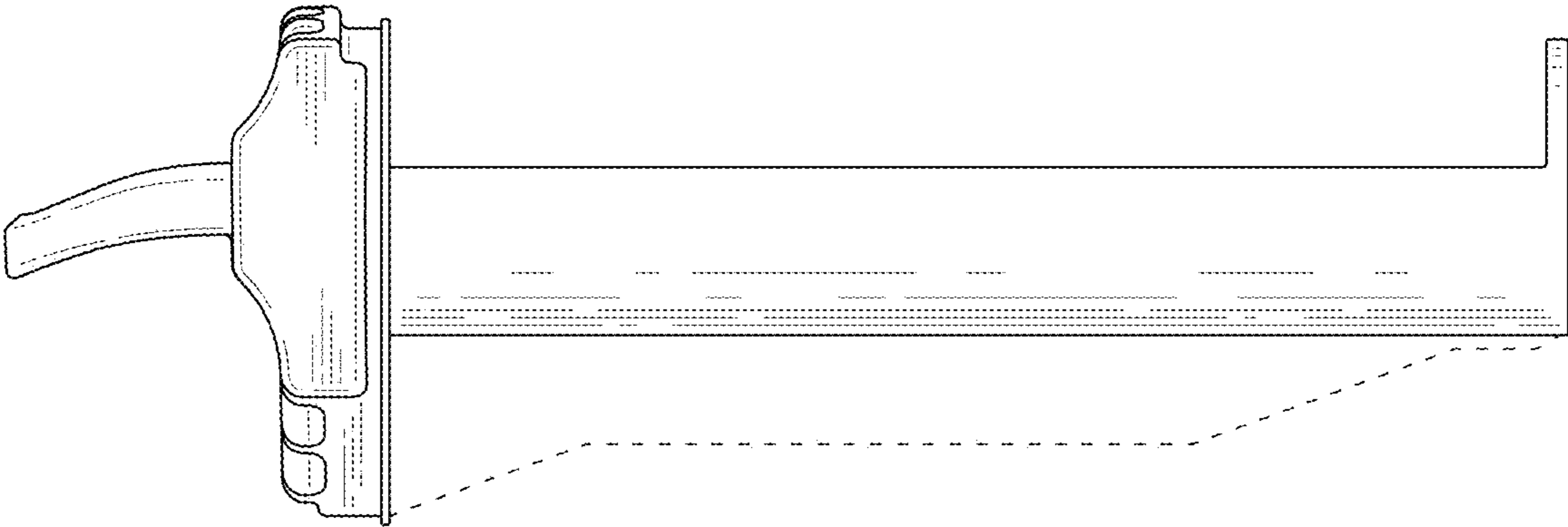


FIG. 6

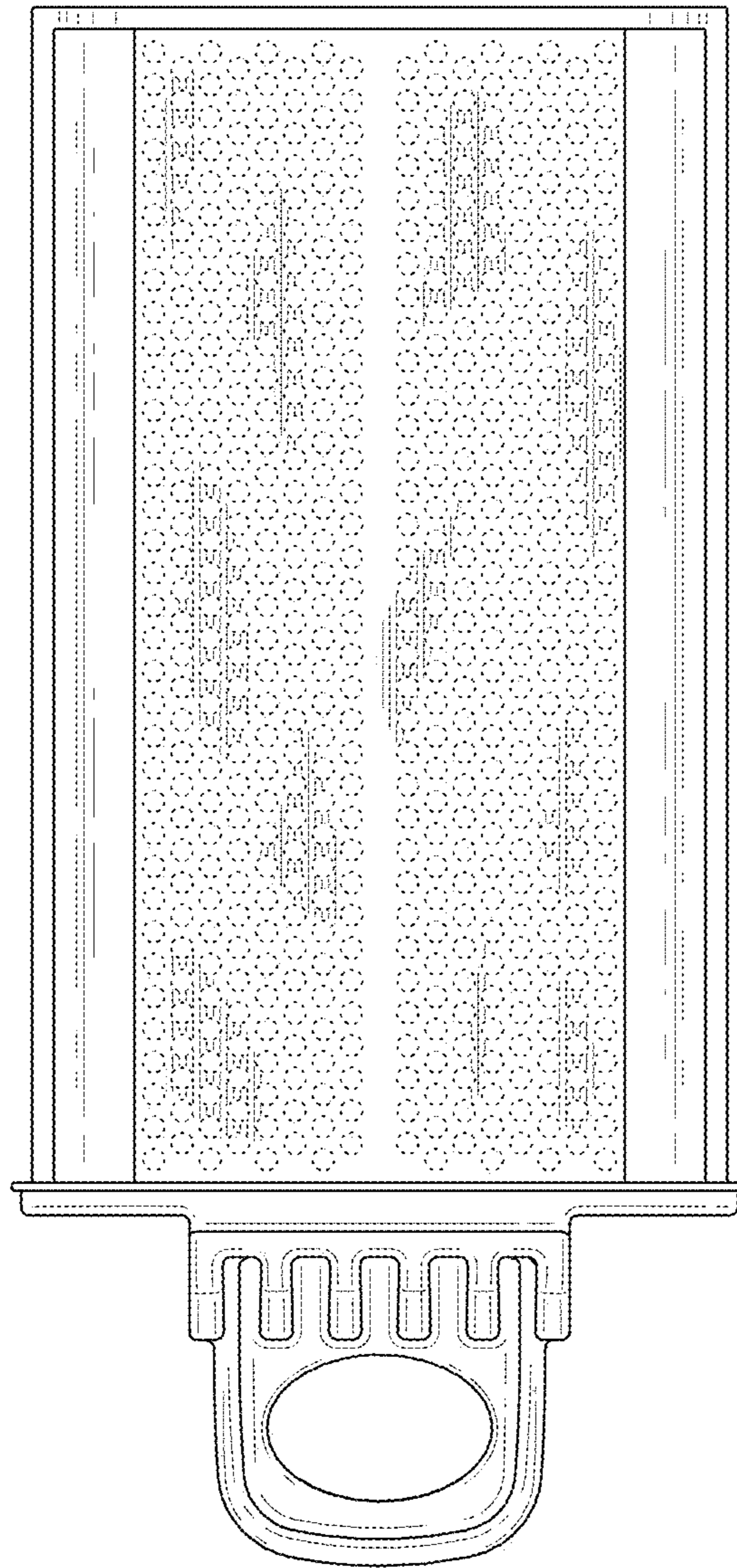


FIG. 7

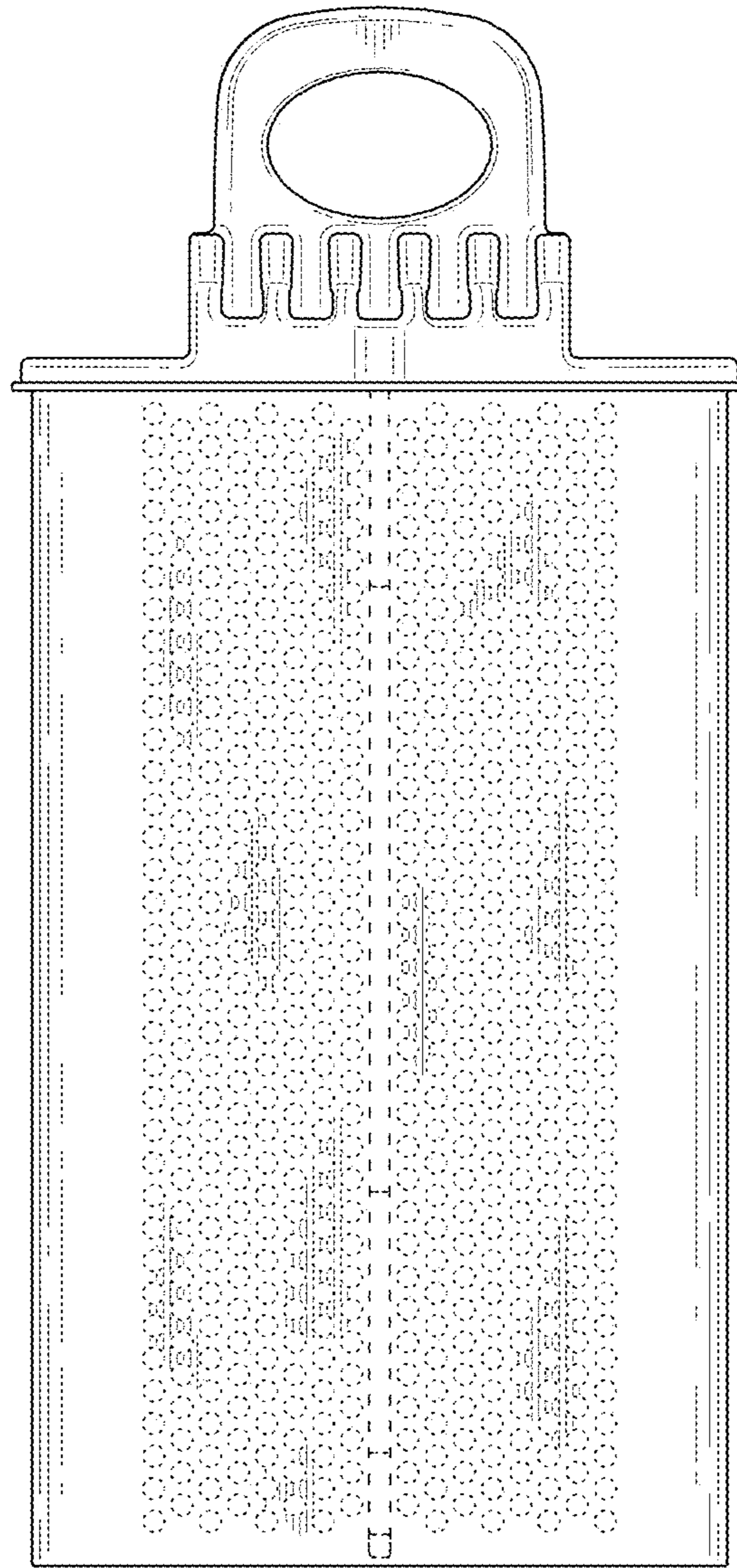


FIG. 8