



US00D905866S

(12) **United States Design Patent** (10) **Patent No.:** **US D905,866 S**
Luoma, II et al. (45) **Date of Patent:** **** *Dec. 22, 2020**

(54) **REAGENT KIT FRAME**

FOREIGN PATENT DOCUMENTS

(71) Applicant: **Abbott Laboratories**, Abbott Park, IL (US)

CA 2556772 9/2005
CN 1183057 5/1998

(Continued)

(72) Inventors: **Robert Paul Luoma, II**, Colleyville, TX (US); **Brian L. Ochraneck**, Southlake, TX (US); **Cheryl L. Davidson**, Southlake, TX (US); **Bradley C. Weston**, Frisco, TX (US)

OTHER PUBLICATIONS

International Searching Authority, "Invitation to Pay Additional Fees and, Where Applicable, Protest Fee and Communication Relating to the Results of the Partial International Search," issued in connection with International Patent Application No. PCT/US2013/078036, dated Apr. 23, 2014, 7 pages.

(Continued)

(73) Assignee: **Abbott Laboratories**, Abbott Park, IL (US)

(*) Notice: This patent is subject to a terminal disclaimer.

Primary Examiner — Susan Bennett Hattan

Assistant Examiner — Omeed Agilee

(74) *Attorney, Agent, or Firm* — Hanley, Flight & Zimmerman, LLC

(**) Term: **15 Years**

(21) Appl. No.: **29/721,479**

(22) Filed: **Jan. 21, 2020**

(57) **CLAIM**

The ornamental design for a "reagent kit frame", as shown and described.

Related U.S. Application Data

(60) Division of application No. 29/640,815, filed on Mar. 16, 2018, now Pat. No. Des. 875,270, which is a (Continued)

DESCRIPTION

(51) **LOC (12) Cl.** **24-02**

(52) **U.S. Cl.**
USPC **D24/224**

(58) **Field of Classification Search**
USPC D24/121, 216, 223-232; D9/423, 424, D9/455, 517; D7/300, 300.1, 316, 317, D7/598

FIG. 1 is a front right perspective view of a reagent kit frame.

FIG. 2 is a front view of the reagent kit frame of FIG. 1.

FIG. 3 is a rear view of the reagent kit frame of FIG. 1.

FIG. 4 is a right side view of the reagent kit frame of FIG. 1.

FIG. 5 is a left side view of the reagent kit frame of FIG. 1. FIG. 6 is a top view of the reagent kit frame of FIG. 1; and, FIG. 7 is a bottom view of the reagent kit frame of FIG. 1.

The features shown in the shorter broken lines depict portions of the reagent kit frame that form no part of the claimed design. The features shown in the longer broken lines depict environmental subject matter that forms no part of the claimed design.

(Continued)

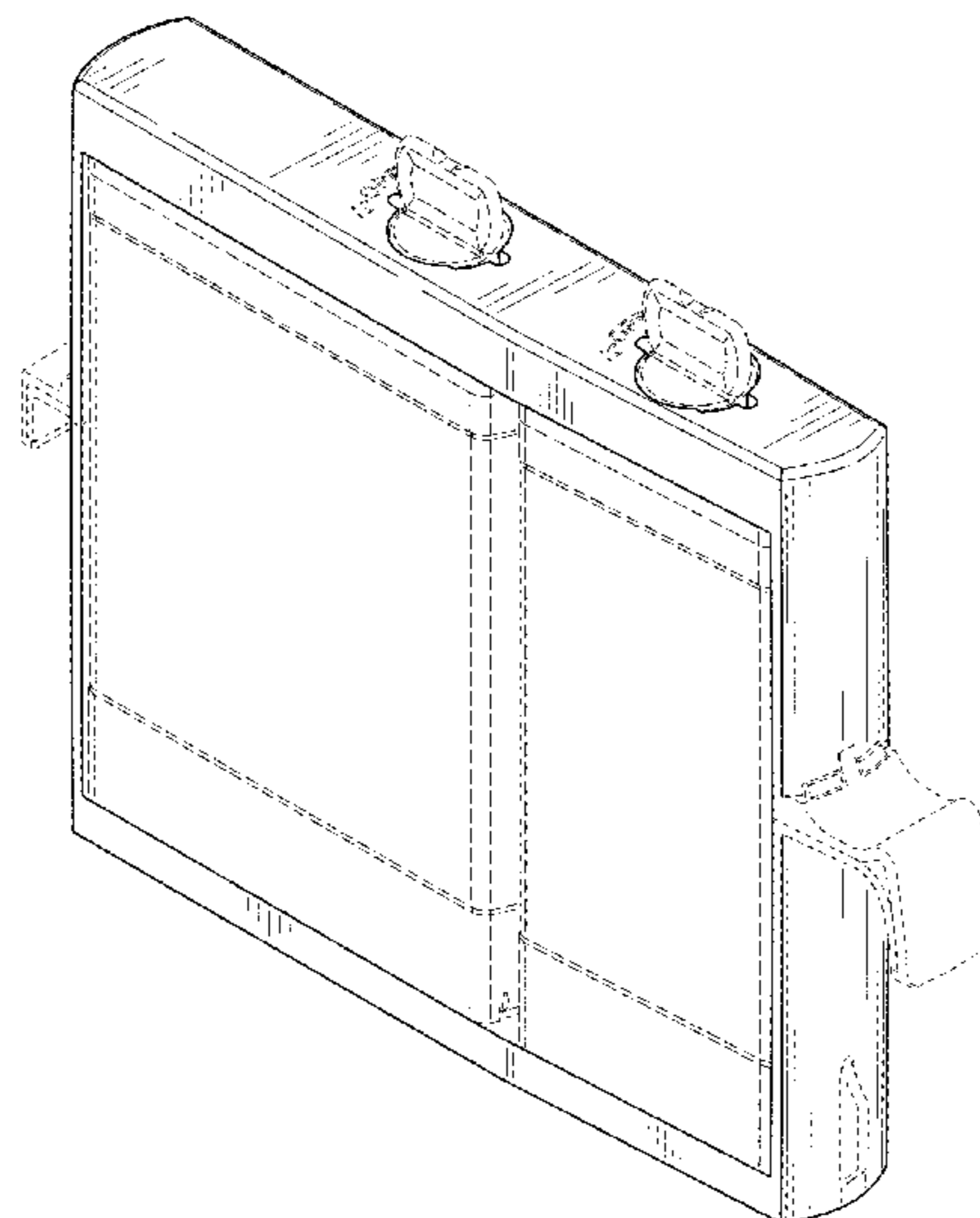
(56) **References Cited**

U.S. PATENT DOCUMENTS

423,362 A 3/1890 Wells
2,514,680 A 7/1950 Stafford

(Continued)

1 Claim, 4 Drawing Sheets



Related U.S. Application Data

division of application No. 29/531,434, filed on Jun. 25, 2015, now Pat. No. Des. 822,224, which is a continuation of application No. 13/801,451, filed on Mar. 13, 2013, now Pat. No. 10,058,866.

(58) **Field of Classification Search**

CPC B01L 3/0234; B01L 3/50825; B01L 9/00; B01L 9/06; B01F 13/0016; B01F 13/002; B01F 11/0022; G01N 35/04
See application file for complete search history.

(56) **References Cited**

U.S. PATENT DOCUMENTS

3,777,652 A 12/1973 Engel
3,994,594 A 11/1976 Sandroock et al.
D273,987 S 5/1984 Holen et al.
4,515,753 A 5/1985 Smith et al.
4,557,600 A 12/1985 Klose et al.
4,684,614 A 8/1987 Krovak et al.
4,705,668 A 11/1987 Kaltenbach et al.
4,720,374 A 1/1988 Ramachandran
D297,166 S 8/1988 Hollar et al.
4,849,177 A 7/1989 Jordan
4,883,763 A 11/1989 Holen et al.
4,913,309 A 4/1990 Fink
5,005,721 A 4/1991 Jordan
5,128,104 A 7/1992 Murphy et al.
D342,140 S 12/1993 Sakagami et al.
5,324,481 A 6/1994 Dunn et al.
D350,604 S 9/1994 Weiss et al.
D355,260 S 2/1995 Tomasso
D358,468 S 5/1995 Howard
5,417,922 A 5/1995 Markin et al.
D365,153 S 12/1995 Robertson, Jr.
5,516,207 A 5/1996 Habicht
5,578,272 A 11/1996 Koch et al.
5,632,399 A 5/1997 Palmieri et al.
D380,553 S 7/1997 Riekkinen
5,758,786 A 6/1998 John
5,788,928 A 8/1998 Carey et al.
5,811,296 A 9/1998 Chemelli et al.
D400,263 S 10/1998 Shugart
5,830,411 A 11/1998 Martinell Gisper-Sauch
D404,831 S 1/1999 Yamazaki et al.
D407,826 S 4/1999 Yamazaki et al.
D411,014 S 6/1999 Berger et al.
5,908,242 A 6/1999 St. John et al.
5,968,453 A 10/1999 Shugart
6,066,300 A 5/2000 Carey et al.
D433,149 S 10/2000 Fassbind et al.
6,149,872 A 11/2000 Mack et al.
6,190,617 B1 2/2001 Clark et al.
6,190,619 B1 2/2001 Kilcoin et al.
6,299,567 B1 10/2001 Forrest et al.
6,319,719 B1 11/2001 Bhullar et al.
6,375,030 B1 4/2002 Spickelmire
6,386,749 B1 5/2002 Watts et al.
6,431,388 B1 8/2002 Spickelmire et al.
6,432,359 B1 8/2002 Carey et al.
6,458,526 B1 10/2002 Schembri et al.
6,509,193 B1 1/2003 Tajima
6,511,634 B1 1/2003 Bradshaw et al.
6,517,230 B1 2/2003 Afnan et al.
6,517,783 B2 2/2003 Horner et al.
6,537,505 B1 3/2003 LaBudde et al.
D482,454 S 11/2003 Gebrian
D502,268 S 2/2005 Sakai et al.
6,866,820 B1 3/2005 Otto et al.
D517,597 S 3/2006 Andoh
D531,736 S 11/2006 Gomm et al.
D532,524 S 11/2006 Gomm et al.
D533,587 S 12/2006 Andoh
D533,947 S 12/2006 Gomm et al.
D534,280 S 12/2006 Gomm et al.

7,182,912 B2 2/2007 Carey et al.
7,238,521 B2 7/2007 Hahn et al.
7,458,483 B2 12/2008 Luoma, II
7,485,118 B2 2/2009 Blankenstein et al.
7,615,370 B2 11/2009 Streit et al.
7,628,954 B2 12/2009 Gomm et al.
D611,821 S * 3/2010 Gabrielson D9/517
7,731,414 B2 6/2010 Vincent et al.
7,736,907 B2 6/2010 Blankenstein et al.
D620,603 S 7/2010 Talmer et al.
7,794,656 B2 9/2010 Liang et al.
D630,765 S 1/2011 Winkenbach et al.
D632,402 S 2/2011 Sattler et al.
7,897,379 B2 3/2011 Kenney et al.
D637,731 S 5/2011 Sattler et al.
7,951,344 B2 5/2011 Kikuchi et al.
7,964,140 B2 6/2011 Watari
D645,973 S 9/2011 Hoenes
8,017,094 B2 9/2011 Meyer et al.
8,133,721 B2 3/2012 Yang et al.
8,187,558 B2 5/2012 Jacobs et al.
D665,095 S 8/2012 Wilson et al.
D666,736 S 9/2012 Kobayashi
D672,881 S 12/2012 Kraihanzel
8,535,624 B2 9/2013 Luoma, II
D696,419 S 12/2013 Fusellier et al.
9,149,979 B2 10/2015 Sattler et al.
9,304,140 B2 4/2016 Wakamiya
D769,456 S 10/2016 Dulaff
D774,182 S 12/2016 Davidian et al.
9,535,082 B2 1/2017 Luoma, II
9,539,082 B2 1/2017 Olsen et al.
D782,060 S 3/2017 Luoma, II
D782,061 S 3/2017 Luoma, II
D782,062 S 3/2017 Luoma, II
D782,063 S 3/2017 Luoma, II et al.
D815,299 S 4/2018 Luoma, II
D822,224 S 7/2018 Luoma, II et al.
10,058,866 B2 8/2018 Luoma, II et al.
D848,636 S 5/2019 Kraemer et al.
D875,269 S 2/2020 Luoma, II
D875,270 S 2/2020 Luoma, II et al.
2002/0169518 A1 11/2002 Luoma, II et al.
2003/0044323 A1 3/2003 Diamond et al.
2003/0129766 A1 7/2003 Kawamura et al.
2004/0005714 A1 1/2004 Safar et al.
2004/0134750 A1 7/2004 Luoma, II
2005/0026295 A1 2/2005 Harding et al.
2005/0106756 A1 5/2005 Blankenstein et al.
2005/0169102 A1 8/2005 Manke
2005/0175338 A1 8/2005 Ide et al.
2006/0087911 A1 4/2006 Herz et al.
2006/0263248 A1 11/2006 Gomm et al.
2006/0286004 A1 12/2006 Jacobs et al.
2007/0010019 A1 1/2007 Luoma, II
2007/0166193 A1 7/2007 Veen et al.
2008/0056948 A1 3/2008 Dale et al.
2008/0064090 A1 3/2008 Whittlinger
2008/0085222 A1 4/2008 Fukuda et al.
2008/0226513 A1 9/2008 Morbidelli et al.
2008/0317632 A1 12/2008 Shimasaki et al.
2009/0004058 A1 1/2009 Liang et al.
2009/0215159 A1 8/2009 Kirby
2009/0325309 A1 12/2009 Favuzzi et al.
2010/0092343 A1 4/2010 Németh
2010/0111765 A1 5/2010 Gomm et al.
2010/0190265 A1 7/2010 Dufva et al.
2010/0276445 A1 11/2010 Jacobs et al.
2012/0087830 A1 4/2012 Wakamiya
2012/0141339 A1 6/2012 Sattler et al.
2012/0195808 A1 8/2012 Arras et al.
2012/0218854 A1 8/2012 Behringer et al.
2013/0059376 A1 3/2013 Justice et al.
2014/0038307 A1 2/2014 Daub et al.
2014/0269158 A1 9/2014 Luoma, II
2014/0271411 A1 9/2014 Luoma, II et al.
2015/0010443 A1 1/2015 Hasegawa
2015/0057638 A1 2/2015 Davidian et al.
2015/0224500 A1 8/2015 Brueckner et al.

(56)

References Cited

U.S. PATENT DOCUMENTS

2018/0252707 A1 9/2018 Zhang et al.
 2020/0072857 A1* 3/2020 Oda G01N 35/04
 2020/0080993 A1* 3/2020 Zhang B01F 9/0021

FOREIGN PATENT DOCUMENTS

CN	1726288	1/2006
CN	101334416	12/2008
CN	101391197	3/2009
CN	101439274	5/2009
CN	101484782	7/2009
CN	101489681	7/2009
CN	101583877	11/2009
CN	102202776	9/2011
CN	102576030	12/2014
CN	201830193538	5/2019
DE	202006017454	5/2007
EP	435481	7/1991
EP	831330	3/1998
EP	1855114	11/2007
EP	1687080	6/2008
EP	1733794	9/2010
EP	2255880	12/2010
GB	1307086	2/1973
JP	S527758	3/1977
JP	S56137072	10/1981
JP	S58134773	9/1983
JP	S63182040	7/1988
JP	H03102262	4/1991
JP	H06253815	9/1994
JP	H07198561	8/1995
JP	H10228689	8/1998
JP	H11515106	12/1999
JP	2000009726	1/2000
JP	2002196006	7/2002
JP	2003194828	7/2003
JP	2004061160	2/2004
JP	2005017176	1/2005
JP	2005502034	1/2005
JP	2005164509	6/2005
JP	2005181338	7/2005
JP	2006125897	5/2006
JP	2007524842	8/2007
JP	2007309740	11/2007
JP	2008026221	2/2008
JP	2008096195	4/2008
JP	4268212	5/2009
JP	2009276252	11/2009
JP	2009544959	12/2009
JP	2010509144	3/2010
JP	2011099769	5/2011
JP	2016516990	6/2016
WO	9634681	11/1996
WO	03020427	3/2003
WO	2006119361	11/2006
WO	2007125642	11/2007
WO	2008030961	3/2008
WO	2008058979	5/2008
WO	2009131705	10/2009
WO	2011091233	7/2011

OTHER PUBLICATIONS

International Searching Authority, "International Search Report and Written Opinion," issued in connection with International Patent Application No. PCT/US2013/078036, dated Jun. 25, 2014, 17 pages.
 International Searching Authority, "International Search Report and Written Opinion," issued in connection with International Patent Application No. PCT/US2013/078034, dated Sep. 12, 2014, 21 pages.
 International Searching Authority, "Invitation to Pay Additional Fees and, Where Applicable, Protest Fee and Communication

Relating to the Results of the Partial International Search," issued in connection with International Patent Application No. PCT/US2013/078034, dated Jun. 3, 2014, 7 pages.
 International Searching Authority, "International Preliminary Report on Patentability," issued in connection with International Patent Application No. PCT/US2013/078034, dated Sep. 24, 2015, 15 pages.
 Isaacson et al., "Hydrodynamic damping due to baffles in a rectangular tank," Canadian Journal of Civic Engineering, Jul. 21, 2001, 9 pages.
 European Patent Office, "Communication pursuant to Article 94(3) EPC," issued in connection with European Patent No. 13 821 411.9, dated Jun. 7, 2017, 8 pages.
 Japanese Patent Office, "Notice of Rejection," issued in connection with Japanese Patent Application No. 2016-500147, dated Oct. 4, 2016, 8 pages. (With Translation).
 Japanese Patent Office, "Notice of Rejection," issued in connection with Japanese Patent Application No. 2016-500148, dated Sep. 6, 2016, 11 pages. (With Translation).
 State Intellectual Property Office of the P.R. China, "Notification of Grant of Patent Right for a Design," issued in connection with Chinese Patent Application No. 201630099345.7, dated May 19, 2016, 5 pages.
 State Intellectual Property Office of the P.R. China, "Notification of Grant of Patent Right for a Design," issued in connection with Chinese Patent Application No. 201630099342.3, dated May 19, 2016, 5 pages. (With Translation).
 State Intellectual Property Office of the P.R. China, "First Office Action," issued in connection with Chinese Patent Application No. 201380076523.8, dated Oct. 18, 2016, 8 pages. (With Translation).
 State Intellectual Property Office of the P.R. China, "Second Office Action," issued in connection with Chinese Patent Application No. 201380076521.9, dated Feb. 3, 2017, 23 pages.
 State Intellectual Property Office of the P.R. China, "First Office Action and Search Report," issued in connection with Chinese Patent Application No. 201380076521.9, dated Jul. 13, 2016, 22 pages.
 United States Patent and Trademark Office, "Restriction and/or Election Requirement," issued in connection with U.S. Appl. No. 13/801,154, dated Jul. 14, 2015, 7 pages.
 United States Patent and Trademark Office, "Office Action," issued in connection with U.S. Appl. No. 13/801,154, dated Oct. 5, 2015, 6 pages.
 United States Patent and Trademark Office, "Restriction and/or Election Requirement," issued in connection with U.S. Appl. No. 13/801,451, dated Jul. 16, 2014, 6 pages.
 United States Patent and Trademark Office, "Office Action," issued in connection with U.S. Appl. No. 13/801,451, dated Feb. 18, 2015, 13 pages.
 United States Patent and Trademark Office, "Final Office Action," issued in connection with U.S. Appl. No. 13/801,451, dated Aug. 28, 2015, 16 pages.
 United States Patent and Trademark Office, "Advisory Action," issued in connection with U.S. Appl. No. 13/801,451, dated Dec. 7, 2015, 11 pages.
 United States Patent and Trademark Office, "Final Office Action," issued in connection with U.S. Appl. No. 13/801,451, dated Feb. 24, 2017, 44 pages.
 United States Patent and Trademark Office, "Non-Final Office Action," issued in connection with U.S. Appl. No. 13/801,451, dated Jun. 15, 2017, 27 pages.
 United States Patent and Trademark Office, "Office Action," issued in connection with U.S. Appl. No. 13/801,451, dated Aug. 12, 2016, 20 pages.
 United States Patent and Trademark Office, "Restriction and/or Election Requirement," issued in connection with U.S. Appl. No. 29/531,434, dated May 10, 2016, 8 pages.
 United States Patent and Trademark Office, "Ex Parte Quayle Action," issued in connection with U.S. Appl. No. 29/531,434, on Jan. 26, 2017, 15 pages.
 United States Patent and Trademark Office, "Notice of Non-Complaint Amendment," issued in connection with U.S. Appl. No. 29/531,434, dated Jun. 29, 2017, 15 pages.

(56)

References Cited

OTHER PUBLICATIONS

United States Patent and Trademark Office, "Restriction and/or Election Requirement," issued in connection with U.S. Appl. No. 29/531,434, dated Sep. 6, 2016, 9 pages.

United States Patent and Trademark Office, "Non-Final Office Action," issued in connection with U.S. Appl. No. 15/347,556, dated Mar. 7, 2017, 7 pages.

United States Patent and Trademark Office, "Notice of Allowance," issued in connection with U.S. Appl. No. 15/347,556, dated Jun. 14, 2017, 22 pages.

United States Patent and Trademark Office, "Restriction and/or Election Requirement," issued in connection with U.S. Appl. No. 29/531,426, dated May 16, 2016, 13 pages.

United States Patent and Trademark Office, "Restriction and/or Election Requirement," issued in connection with U.S. Appl. No. 29/531,426, dated Aug. 18, 2016, 9 pages.

United States Patent and Trademark Office, "Ex Parte Quayle Action," issued in connection with U.S. Appl. No. 29/531,426, on Dec. 30, 2016, 11 pages.

United States Patent and Trademark Office, "Notice of Non-Complaint Amendment," issued in connection with U.S. Appl. No. 29/531,426, dated Jun. 29, 2017, 7 pages.

United States Patent and Trademark Office, "Notice of Allowance," issued in connection with U.S. Appl. No. 29/531,426, dated Dec. 14, 2017, 11 pages.

United States Patent and Trademark Office, "Notice of Allowance," issued in connection with U.S. Appl. No. 29/531,426, dated Jan. 11, 2018, 2 pages.

United States Patent and Trademark Office, "Notice of Allowance," issued in connection with U.S. Appl. No. 29/531,434, dated Jan. 3, 2018, 7 pages.

European Patent Office, "Communication pursuant to Rules 161(1) and 162 EPC," issued in connection with European Patent Application No. 13821412.7, dated Oct. 28, 2015, 2 pages.

State Intellectual Property Office of the P.R. China, "Second Office Action," issued in connection with Chinese Patent Application No. 201380076523.8, dated Jun. 12, 2017, 14 pages.

International Bureau, "International Preliminary Report on Patentability," issued in connection with PCT Application No. PCT/US2013/078036, dated Sep. 24, 2015, 12 pages.

European Patent Office, "Communication pursuant to Article 94(3) EPC," issued in connection with European Patent No. 13 821 411.9, dated Feb. 26, 2018, 5 pages.

State Intellectual Property Office of the P.R. China, "Third Office Action," issued in connection with Chinese Patent Application No. 201380076521.9, dated Jul. 28, 2017, 25 pages.

United States Patent and Trademark Office, "Notice of Allowance and Fee(s) Due," issued in connection with U.S. Appl. No. 13/801,154, dated Jul. 29, 2016, 5 pages.

United States Patent and Trademark Office, "Final Office Action," issued in connection with U.S. Appl. No. 13/801,451, dated Dec. 29, 2017, 34 pages.

Japanese Patent Office, "Notice of Rejection," issued in connection with Japanese Patent Application No. 2017-020086, dated Nov. 21, 2017, 4 pages.

Japanese Patent Office, "Notice of Rejection," issued in connection with Japanese Patent Application No. 2017-035886, dated Mar. 27, 2018, 17 pages.

European Patent Office, "Communication pursuant to Article 94(3) EPC," issued in connection with European Patent No. 13 821 412.7, dated Jun. 29, 2018, 5 pages.

European Patent Office, "Communication pursuant to Article 94(3) EPC," issued in connection with European Patent No. 13 821 412.7, dated Oct. 17, 2018, 4 pages.

European Patent Office, "Extended European Search Report," issued in connection with European Patent No. 19171575.4, dated Aug. 2, 2019, 8 pages.

United States Patent and Trademark Office, "Non-Final Office Action", issued in connection with U.S. Appl. No. 29/640,810 dated Jun. 14, 2019, 42 pages.

Japanese Patent Office, "Notice of Rejection," issued in connection with Japanese Patent Application No. 2018-121565, dated Jul. 23, 2019, 12 pages.

European Patent Office, "Extended European Search Report," issued in connection with European Patent No. 19177884.4, dated Sep. 27, 2019, 9 pages.

United States Patent and Trademark Office, "Non-Final Office Action", issued in connection with U.S. Appl. No. 29/640,815 dated Jun. 14, 2019, 6 pages.

United States Patent and Trademark Office, "Notice of Allowance and Fee(s) Due", issued in connection with U.S. Appl. No. 29/640,815 dated Oct. 4, 2019, 15 pages.

United States Patent and Trademark Office, "Notice of Allowance and Fee(s) Due", issued in connection with U.S. Appl. No. 29/640,810 dated Oct. 3, 2019, 14 pages.

United States Patent and Trademark Office, "Notice of Allowance and Fee(s) Due", issued in connection with U.S. Appl. No. 15/730,524 dated Jan. 2, 2020, 7 pages.

Japanese Patent Office, "Notice of Rejection", issued in connection with application No. 2018-244230 dated Feb. 4, 2020, translation included, 15 pages.

National Intellectual Property Administration, P. R. China, "First Office Action", issued in connection with application No. 201810153773.1 dated Jun. 16, 2020, 14 pages.

United States Patent and Trademark Office, "Non-Final Office Action", issued in connection with U.S. Appl. No. 16/107,826 dated May 18, 2020, 15 pages.

National Intellectual Property Administration, P. R. China, "First Office Action," issued in connection with Chinese Patent Application No. 201810204160.6, dated Jul. 28, 2020, 16 pages.

European Patent Office, "Communication pursuant to Article 94(3) EPC," issued in connection with European Application No. 19171575.4, dated Sep. 30, 2020, 5 pages.

* cited by examiner

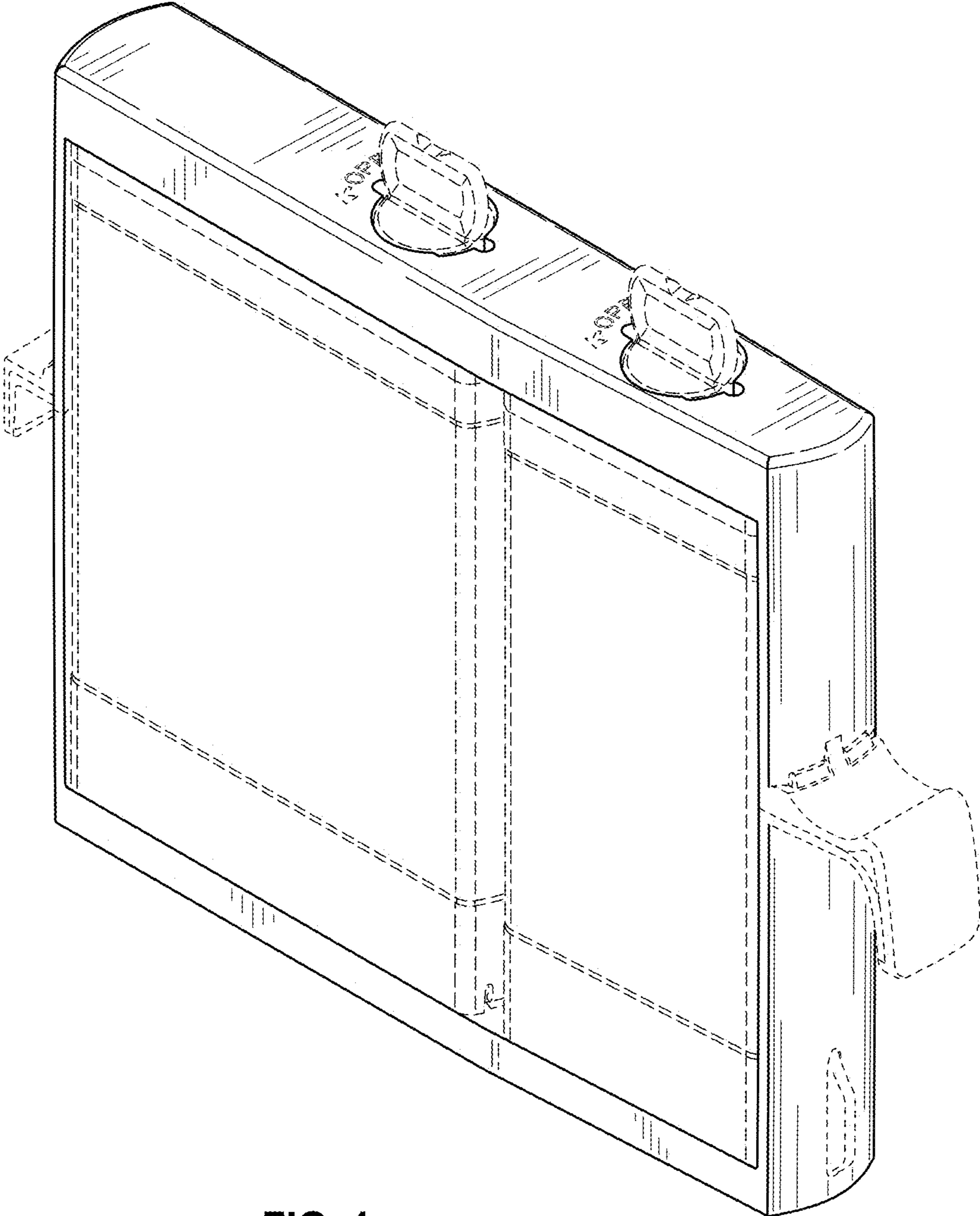


FIG. 1

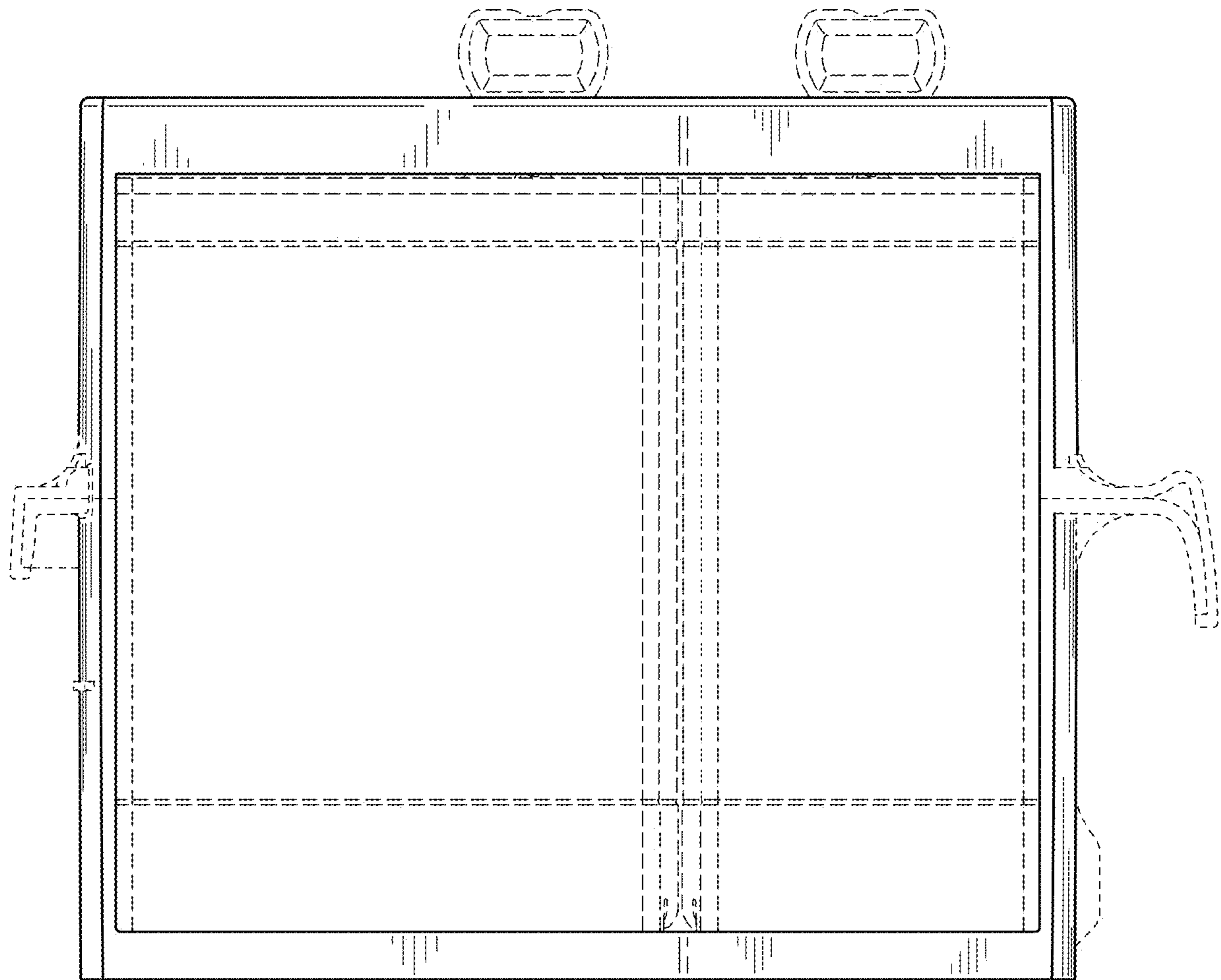


FIG. 2

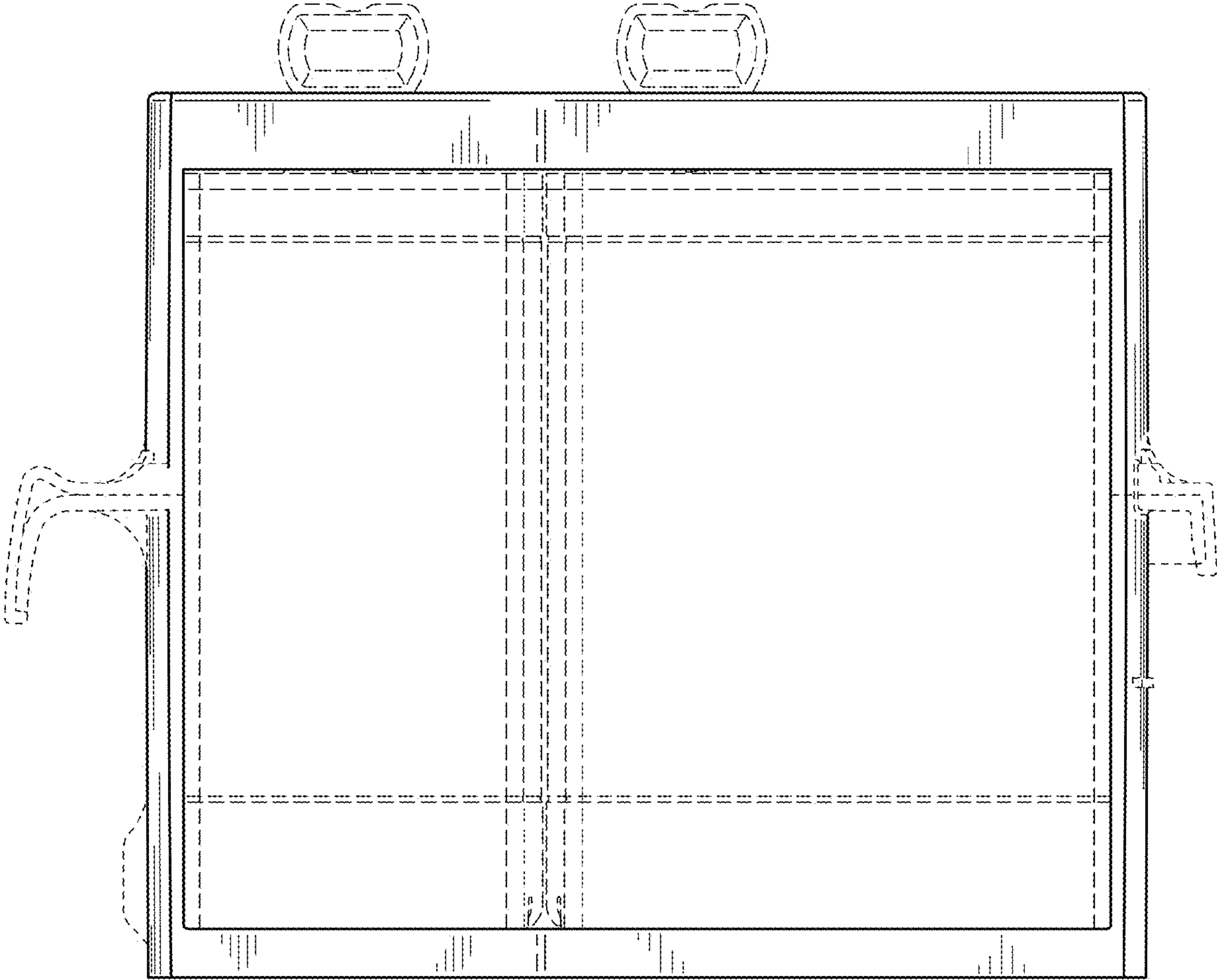


FIG. 3

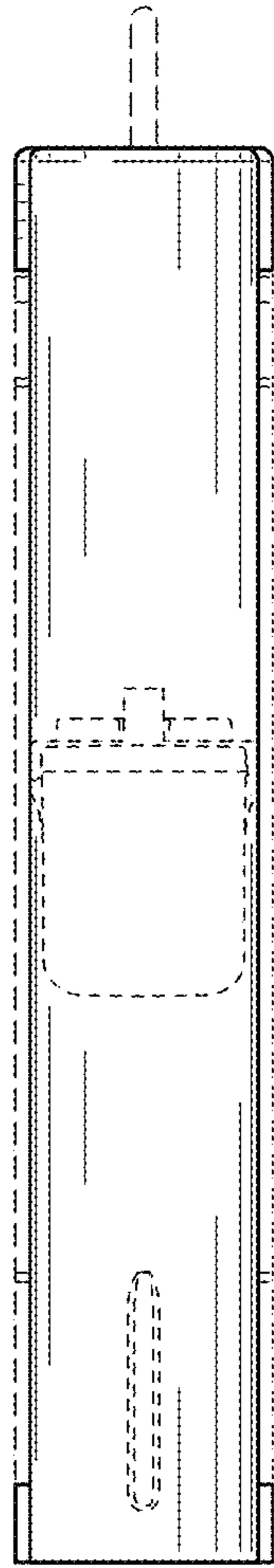


FIG. 4

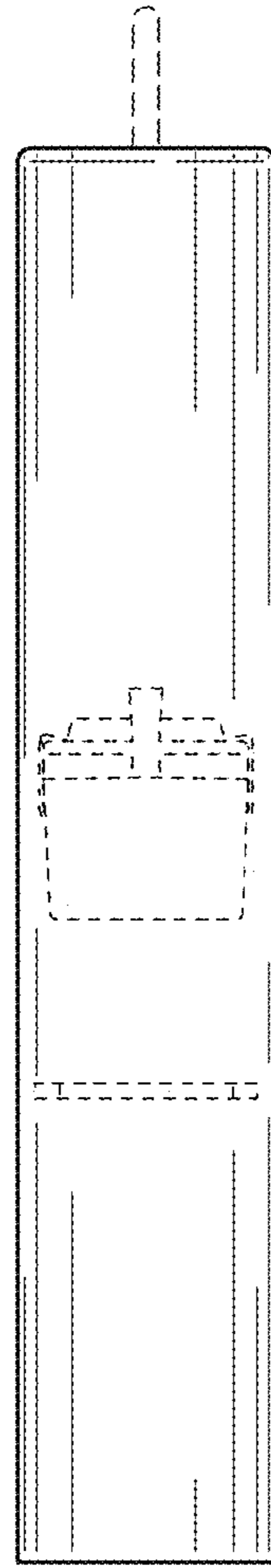


FIG. 5

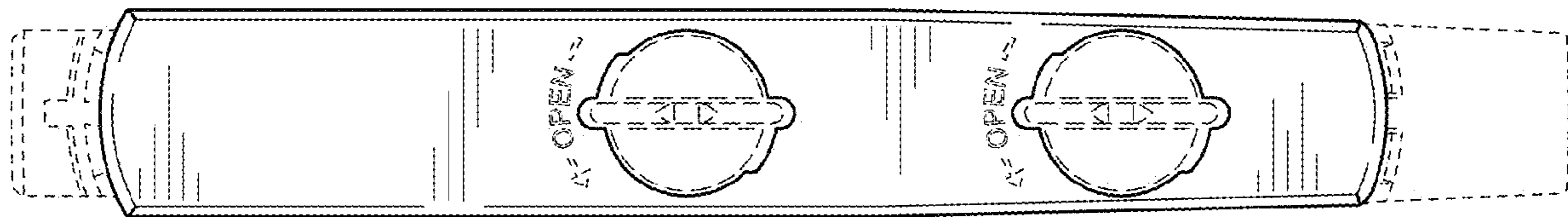


FIG. 6

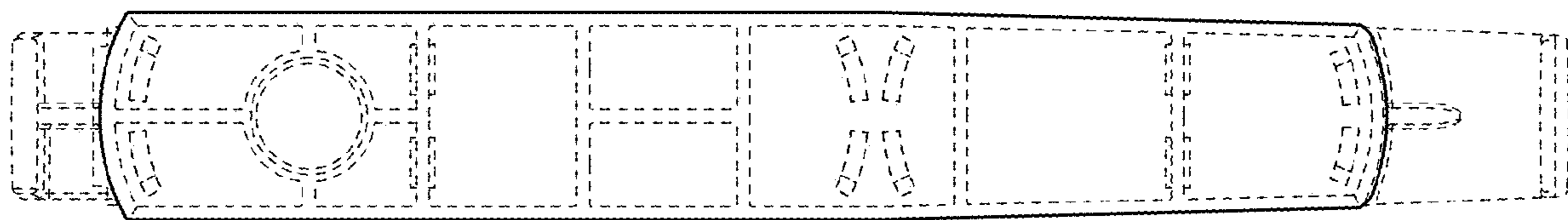


FIG. 7