



US00D905865S

(12) **United States Design Patent** (10) **Patent No.:** **US D905,865 S**
Motadel et al. (45) **Date of Patent:** **** Dec. 22, 2020**

(54) **PIPETTE TIP**

FOREIGN PATENT DOCUMENTS

(71) Applicant: **Biotix, Inc.**, San Diego, CA (US)

EP 2 138 234 12/2009
FR 171442 * 4/1978

(72) Inventors: **Arta Motadel**, San Diego, CA (US);
Peter Paul Blaszcak, San Diego, CA (US)

(Continued)

(73) Assignee: **BIOTIX, INC.**, San Diego, CA (US)

OTHER PUBLICATIONS

(**) Term: **15 Years**

How to Choose the Right Pipette Tips for your Experiment. Online, published date Sep. 27, 2016. Retrieved on Aug. 4, 2019 from URL: <https://biotix.com/resources/blog/how-to-choose-the-right-pipette-tips-for-your-experiment/>.*

(21) Appl. No.: **29/647,343**

(Continued)

(22) Filed: **May 11, 2018**

Primary Examiner — Janice Hallmark

(51) **LOC (12) Cl.** **24-02**

Assistant Examiner — Omeed Agilee

(52) **U.S. Cl.**

(74) *Attorney, Agent, or Firm* — Grant IP, Inc.

USPC **D24/222**

(58) **Field of Classification Search**

USPC D24/107, 108, 121, 133, 216, 222–230,
D24/232, 233; D9/523, 547, 549, 550,
D9/724, 732

(57) **CLAIM**

CPC B01F 13/0025; B01J 2219/00292; B01J
2220/64; B01L 3/14; B01L 3/021; B01L
3/508; B01L 3/52–523

The ornamental design for a pipette tip, as shown and described.

See application file for complete search history.

DESCRIPTION

(56) **References Cited**

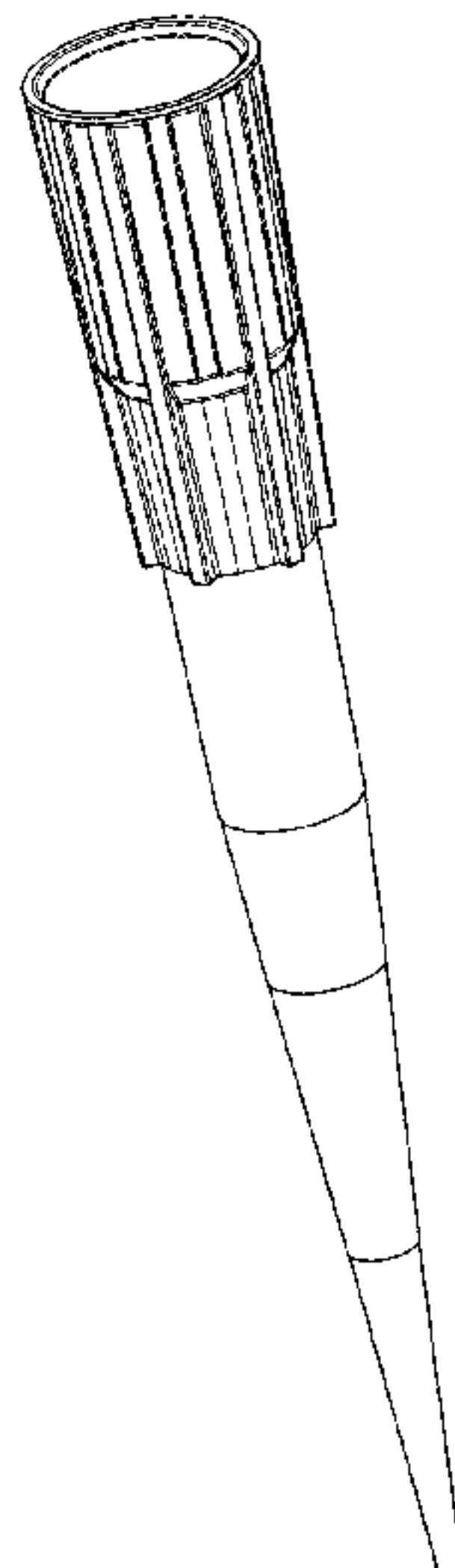
U.S. PATENT DOCUMENTS

D255,601 S *	6/1980	De Vaughn	D24/222
4,707,337 A *	11/1987	Jeffs	B01L 3/0275 422/525
5,156,811 A	10/1992	White		
D335,348 S *	5/1993	Frenkel	D24/224
D414,562 S *	9/1999	Tajima	D24/222
D438,981 S *	3/2001	Rainin	D24/222
6,197,258 B1	3/2001	Thompson et al.		
D448,853 S *	10/2001	Rainin	D24/222
D461,904 S *	8/2002	Petrek	D24/222
6,566,145 B2 *	5/2003	Brewer	B01L 3/0275 210/661
D487,593 S *	3/2004	Sarna	D24/222
D559,396 S *	1/2008	Dave	D24/121

(Continued)

FIG. 1 is a front view of a pipette tip that includes an internal filter;
FIG. 2 is a rear view thereof;
FIG. 3 is a side view thereof;
FIG. 4 is an opposing side view thereof;
FIG. 5 is an enlarged top view thereof;
FIG. 6 is an enlarged bottom view thereof;
FIG. 7 is a bottom perspective view thereof;
FIG. 8 is a top perspective view thereof;
FIG. 9 is an enlarged front, top perspective view thereof;
and,
FIG. 10 is an enlarged rear, top perspective view thereof.
The broken lines in the drawings depict portions of the pipette tip that form no part of the claimed design.

1 Claim, 5 Drawing Sheets



(56)

References Cited

U.S. PATENT DOCUMENTS

7,335,337 B1 2/2008 Smith
 D663,042 S * 7/2012 Motadel D24/222
 D680,226 S * 4/2013 Motadel D24/222
 D847,367 S * 4/2019 Trump D24/222
 2007/0017870 A1 1/2007 Belov et al.
 2008/0095665 A1 4/2008 Smith
 2010/0218622 A1* 9/2010 Motadel B01L 3/0279
 73/864.01
 2011/0183433 A1* 7/2011 Motadel B01L 3/0275
 436/180
 2012/0071643 A1 3/2012 Helfer et al.
 2013/0213151 A1 8/2013 Beese
 2019/0344258 A1 11/2019 Motadel et al.

FOREIGN PATENT DOCUMENTS

JP 2006-521909 9/2006
 JP 2013-136052 7/2013

JP 2017-067481 4/2017
 JP 2018-012085 1/2018
 WO WO 2010/008737 1/2010
 WO WO 2010/054337 5/2010
 WO WO 2011/091308 7/2011
 WO WO 2016/094553 6/2016
 WO WO 2019/217098 A1 11/2019

OTHER PUBLICATIONS

Pipette Tips for Gilson® Pipetman® and other Pipettors. Online, published date unknown. Retrieved on Aug. 4, 2019 from URL: <https://www.krinslifescienceslab.ca/product/gilson-pipetman/>.
 International Search Report and Written Opinion dated Jun. 14, 2019 in International Application No. PCT/US2019/029386, filed on Apr. 26, 2019.

* cited by examiner

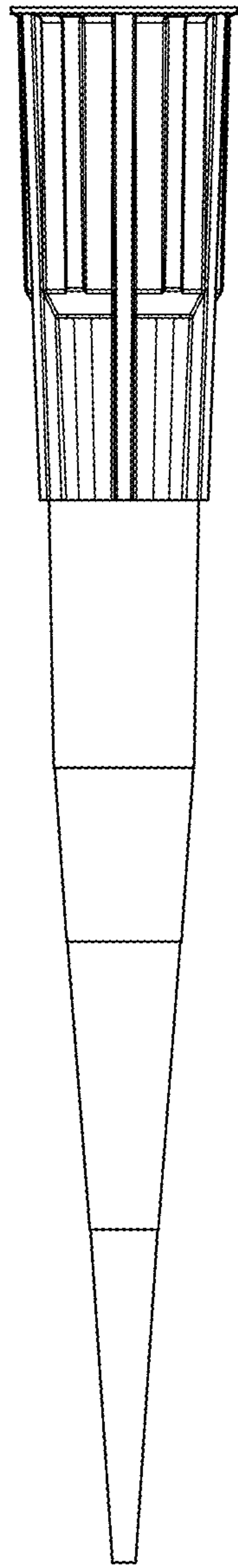


Fig. 1

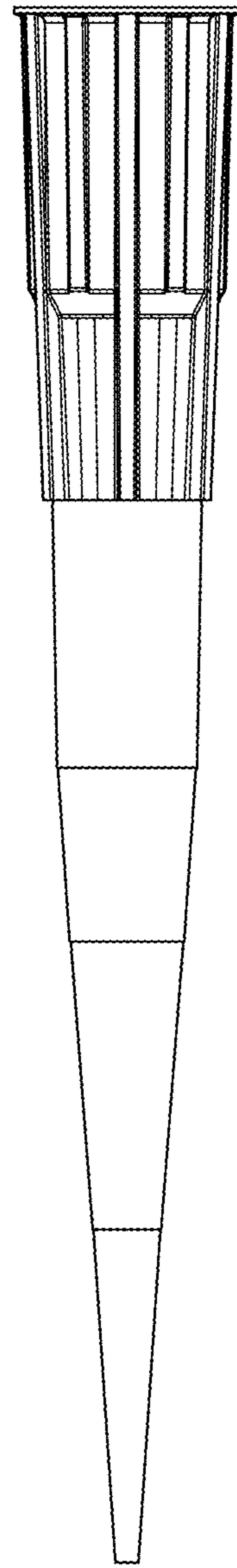


Fig. 2

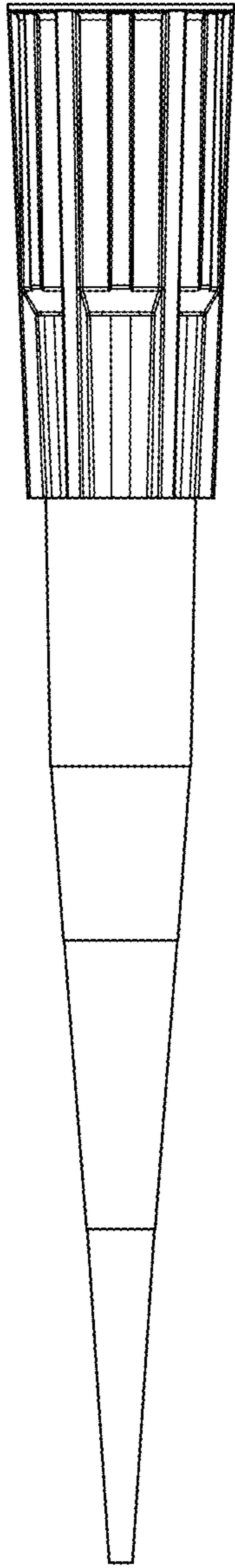


Fig. 3

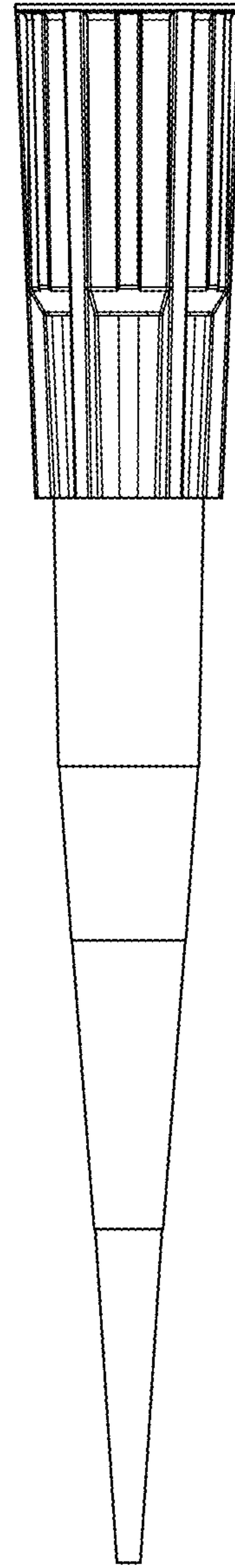


Fig. 4

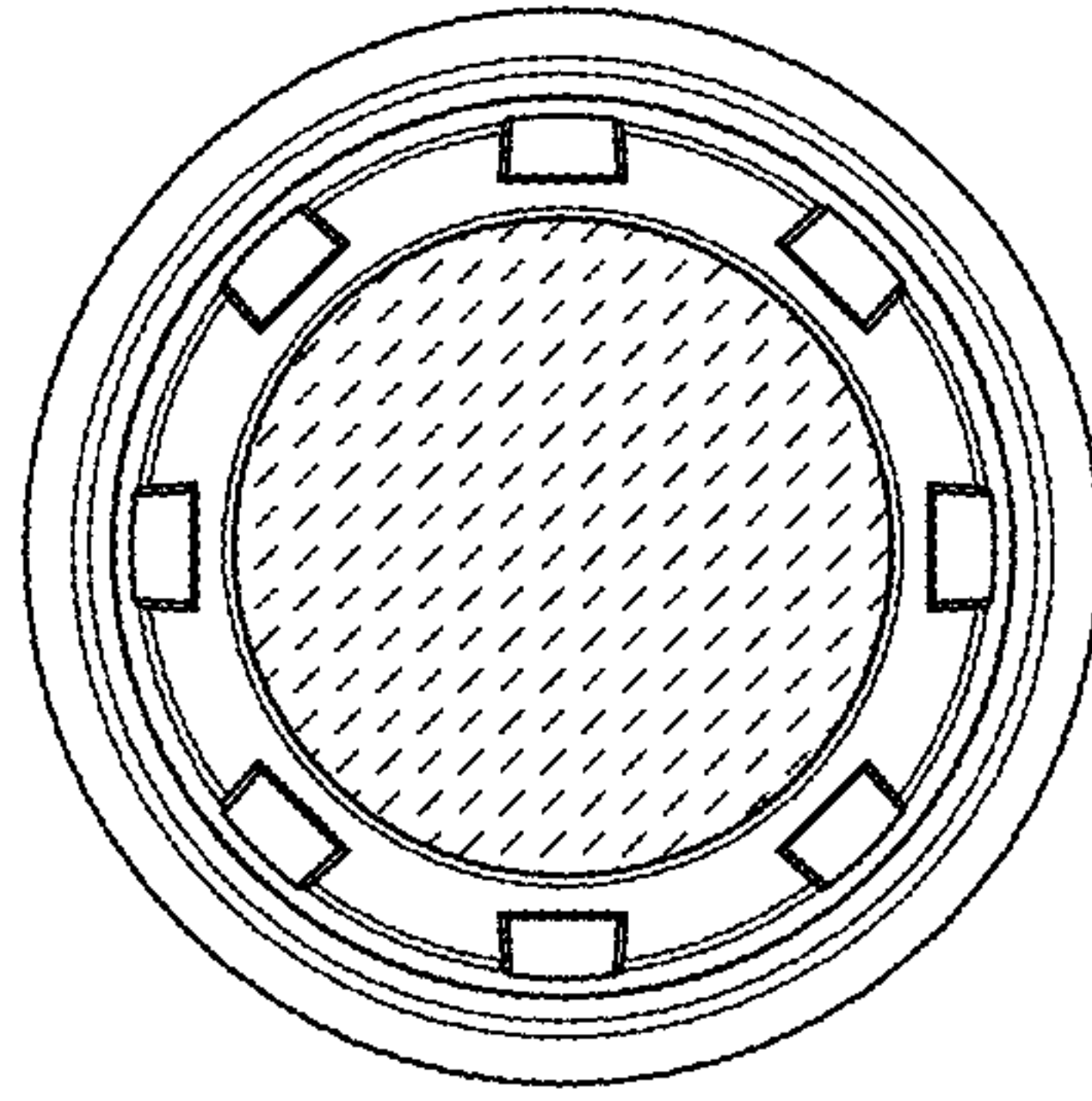


Fig. 5

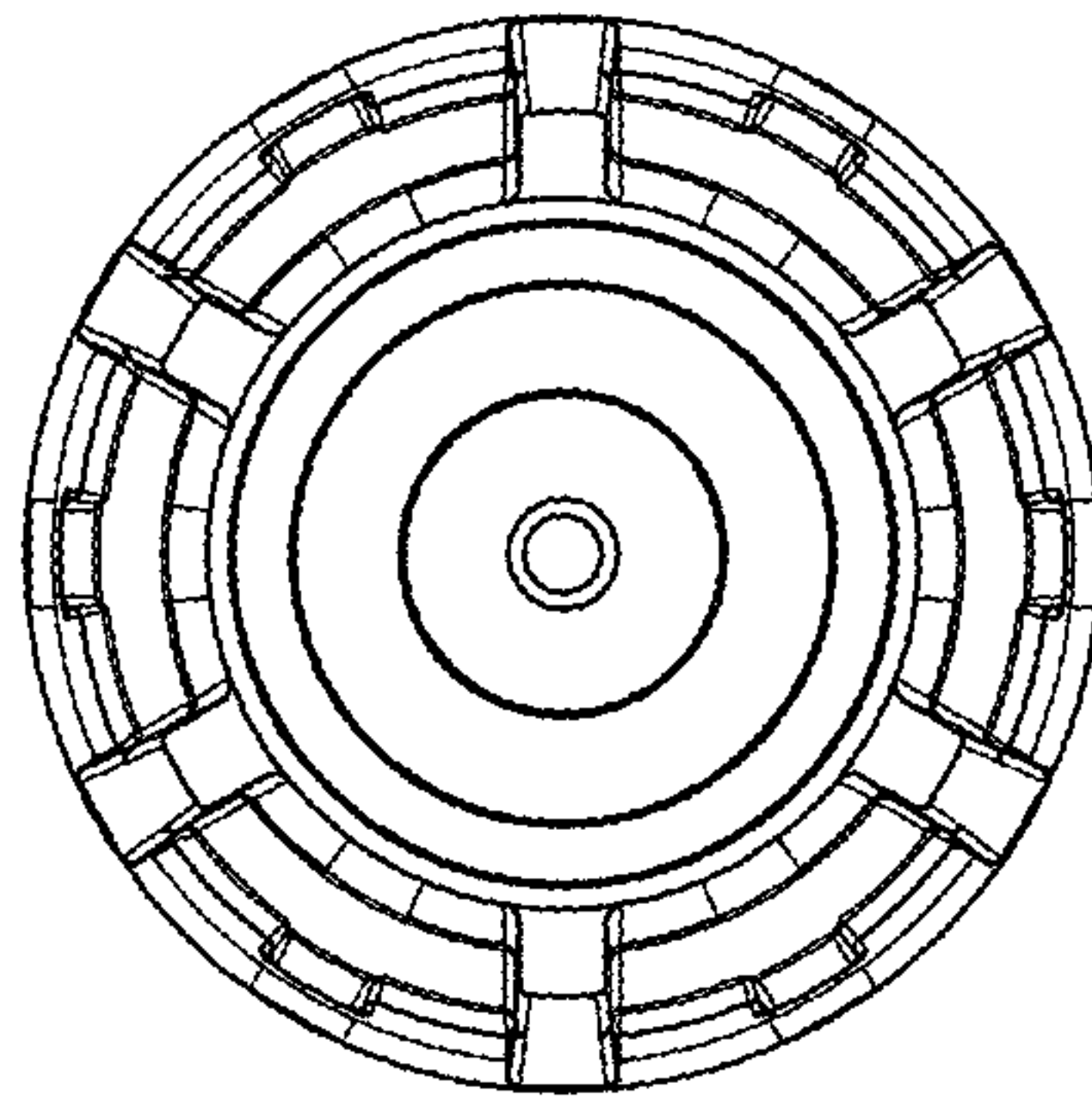


Fig. 6

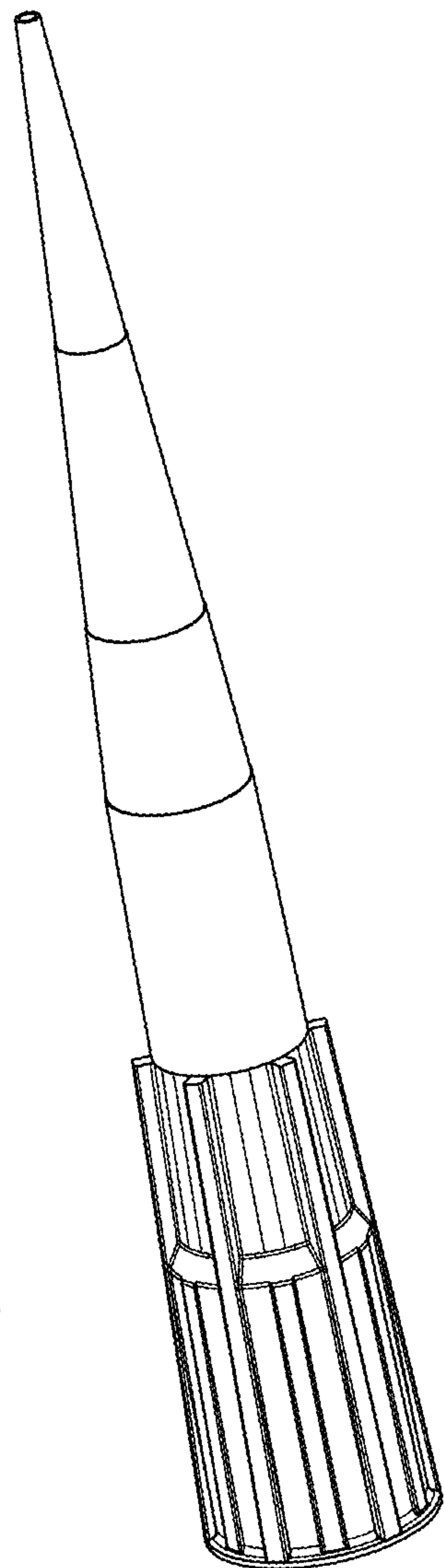


Fig. 7

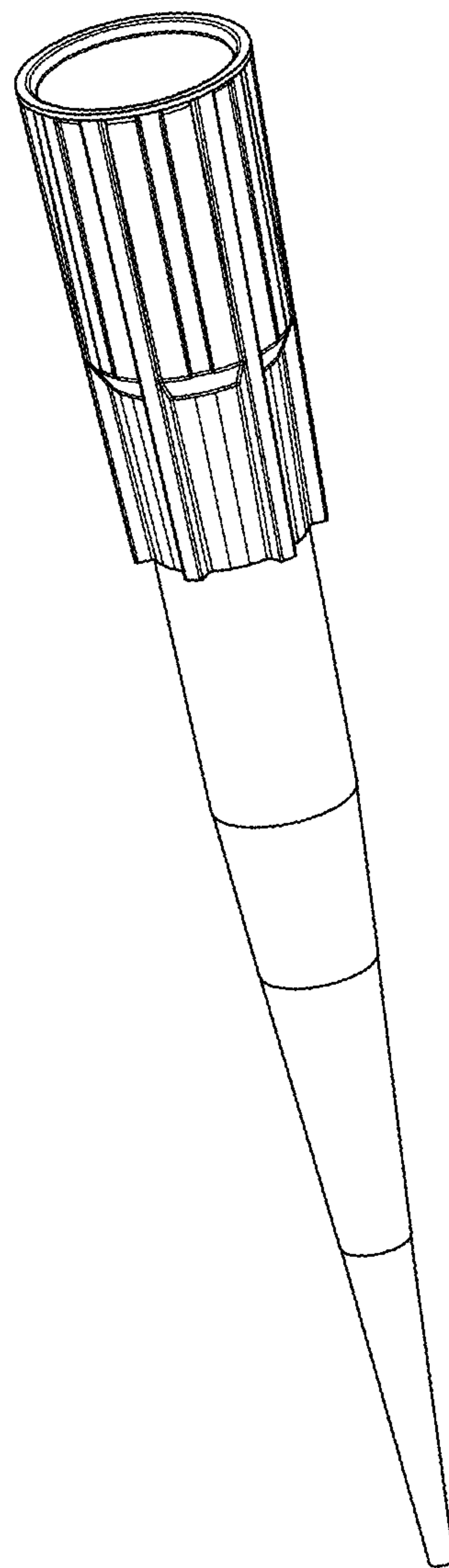


Fig. 8

Fig. 9

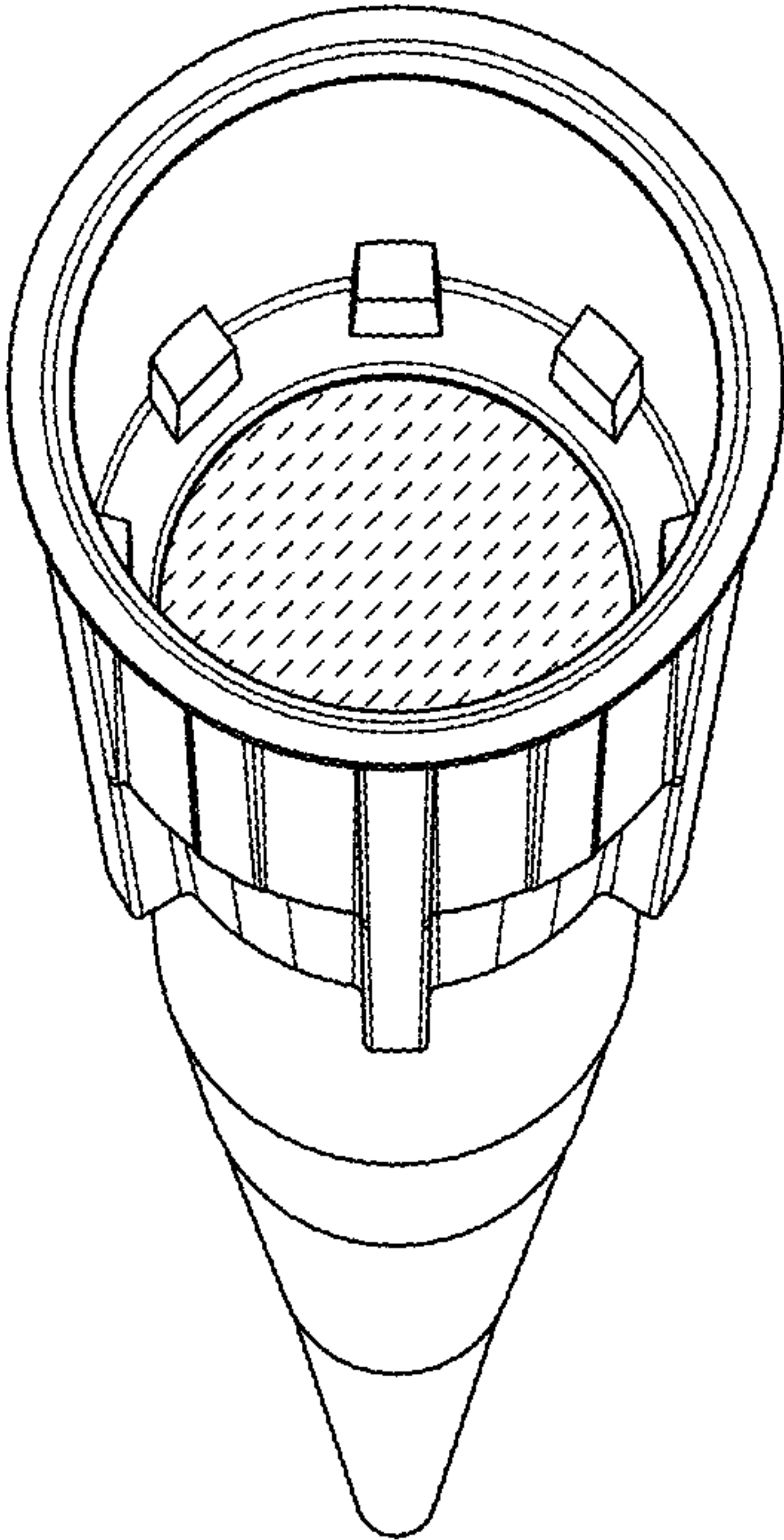


Fig. 10

