



US00D905857S

(12) **United States Design Patent** (10) **Patent No.:** **US D905,857 S**
Oischikorraf et al. (45) **Date of Patent:** **** Dec. 22, 2020**

(54) **PHYSIOTHERAPY MEDICAL DEVICE**

(56) **References Cited**

(71) Applicant: **ReActive Robotics GmbH**, Munich (DE)

U.S. PATENT DOCUMENTS

(72) Inventors: **Olaf Oischikorraf**, Hamburg (DE);
Thomas Märzke, Hamburg (DE)

D854,159	S	*	7/2019	Malmén	D24/158
D868,970	S	*	12/2019	Kwak	D24/158
D869,661	S	*	12/2019	Hong	D24/186
D877,336	S	*	3/2020	Harada	D24/158
D877,337	S	*	3/2020	Takahashi	D24/158
D878,600	S	*	3/2020	Pelissier	D24/186
D879,315	S	*	3/2020	Glasgow	D24/216
D883,510	S	*	5/2020	Neuman	D24/216
D884,900	S	*	5/2020	Shin	D24/158
2017/0179774	A1	*	6/2017	Jin	H02J 50/80
2017/0311931	A1	*	11/2017	Yang	A61B 8/4405

(**) Term: **15 Years**

(21) Appl. No.: **35/506,977**

(22) Filed: **Dec. 23, 2018**

(80) **Hague Agreement Data**

Int. Filing Date: **Dec. 23, 2018**

Int. Reg. No.: **DM/201617**

Int. Reg. Date: **Dec. 23, 2018**

Int. Reg. Pub. Date: **Jun. 28, 2019**

(51) **LOC (12) Cl.** **24-01**

(52) **U.S. Cl.**
USPC **D24/186**

(58) **Field of Classification Search**
USPC D24/158, 186, 216, 188, 200
CPC A61B 6/14; A61B 8/4405; A61B 6/467;
A61B 6/00; A61B 6/4441; A61B 6/463;
A61B 6/542; A61B 8/00; A61B 8/56;
A61B 50/10; A61B 50/13; A61B
5/150022; A61B 5/150343; B01L
2400/0406; B01L 3/021; B01L 3/5027;
B01L 2300/0825; B01L 3/0293; B01L
3/50273; B01L 2200/12
See application file for complete search history.

* cited by examiner

Primary Examiner — Jennifer L Watkins

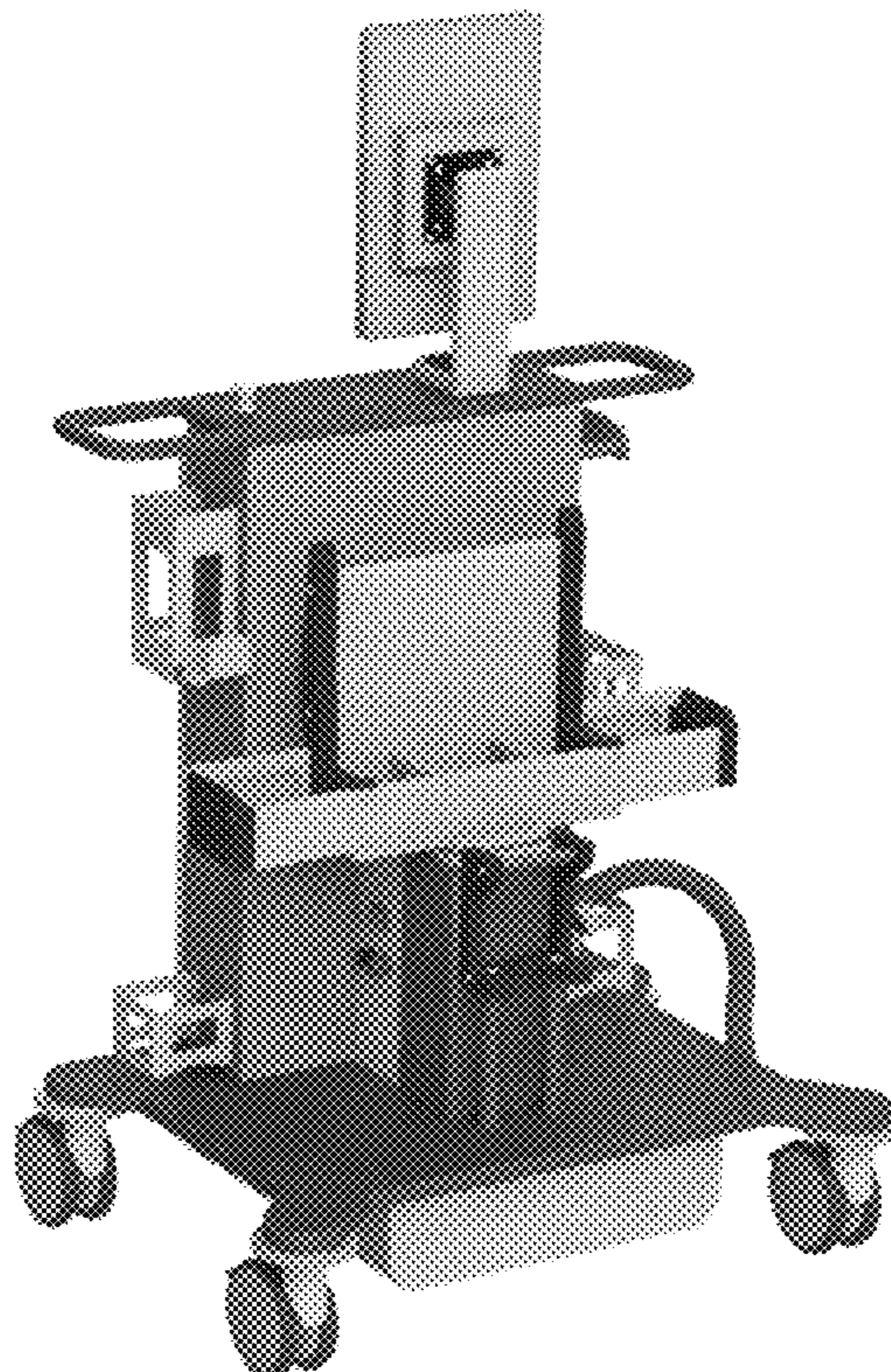
(57) **CLAIM**

The ornamental design for a physiotherapy medical device, as shown and described.

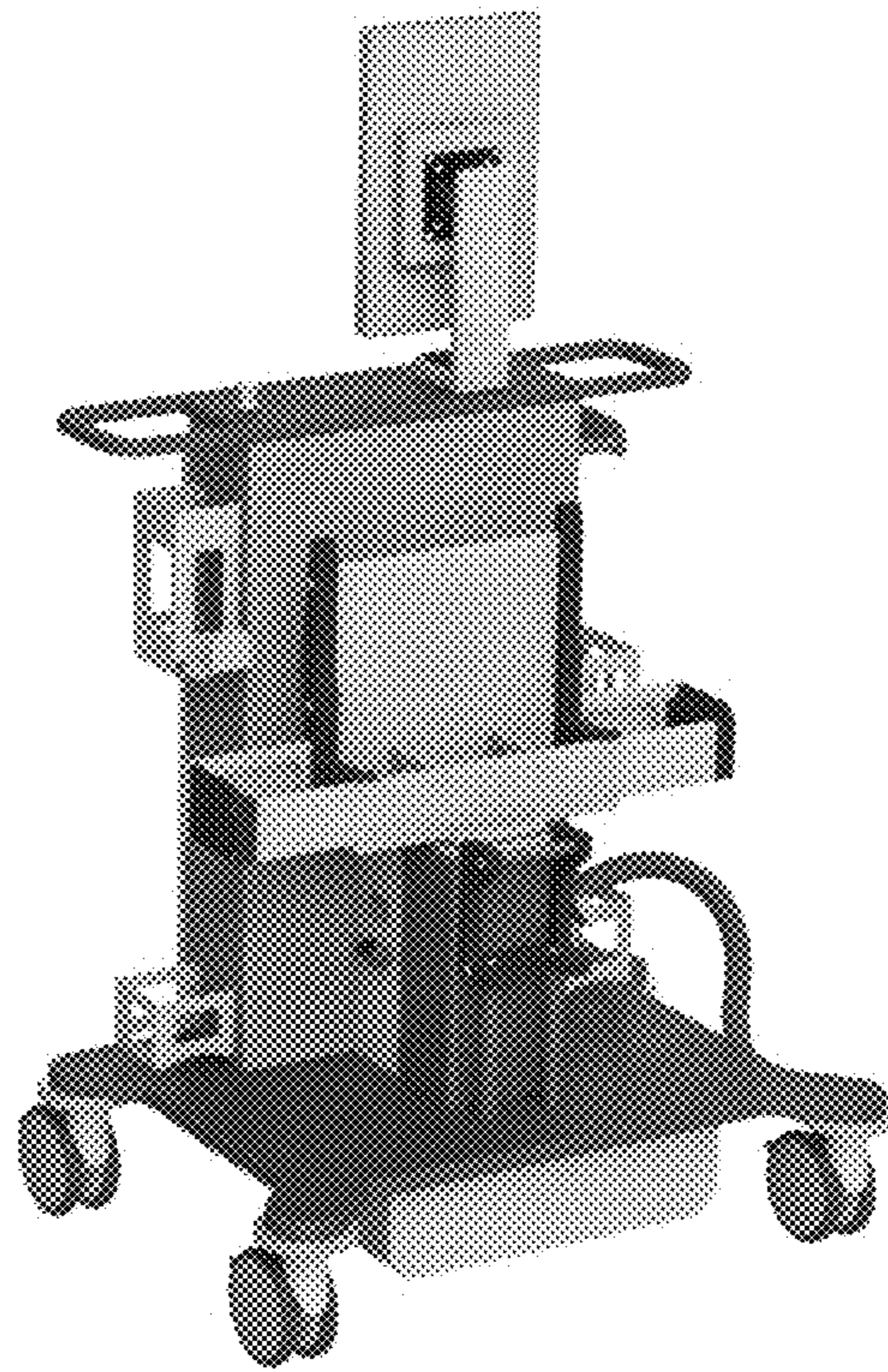
DESCRIPTION

1. Physiotherapy medical device
1.1 is a perspective view of the physiotherapy medical device, showing my new design; 1.2 is a front elevation view thereof; 1.3 is a right side elevation view thereof; 1.4 is a rear elevation view thereof; 1.5 is a left side elevation view thereof; 1.6 is a top plan view thereof; and 1.7 is a bottom view thereof.

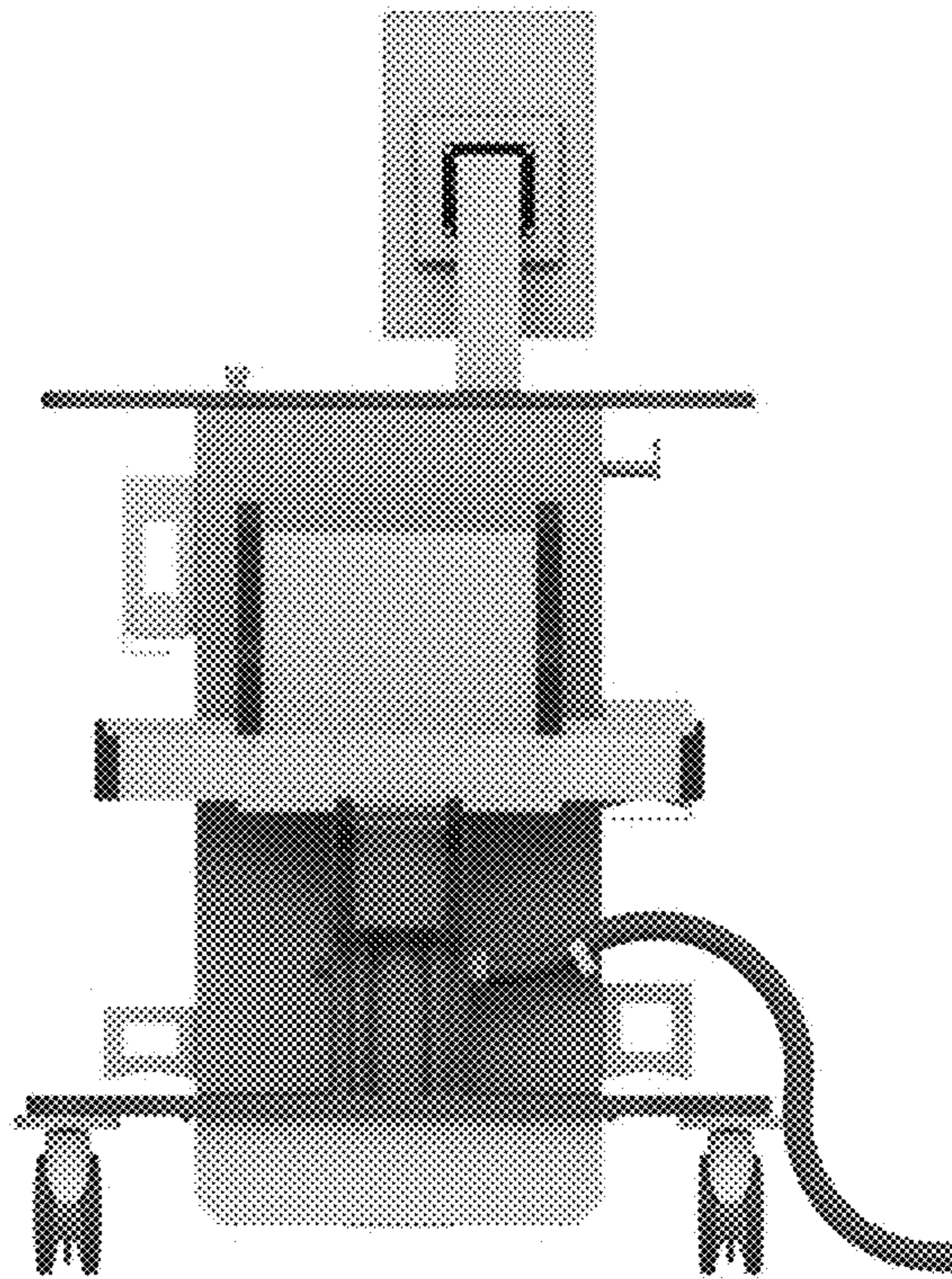
1 Claim, 7 Drawing Sheets



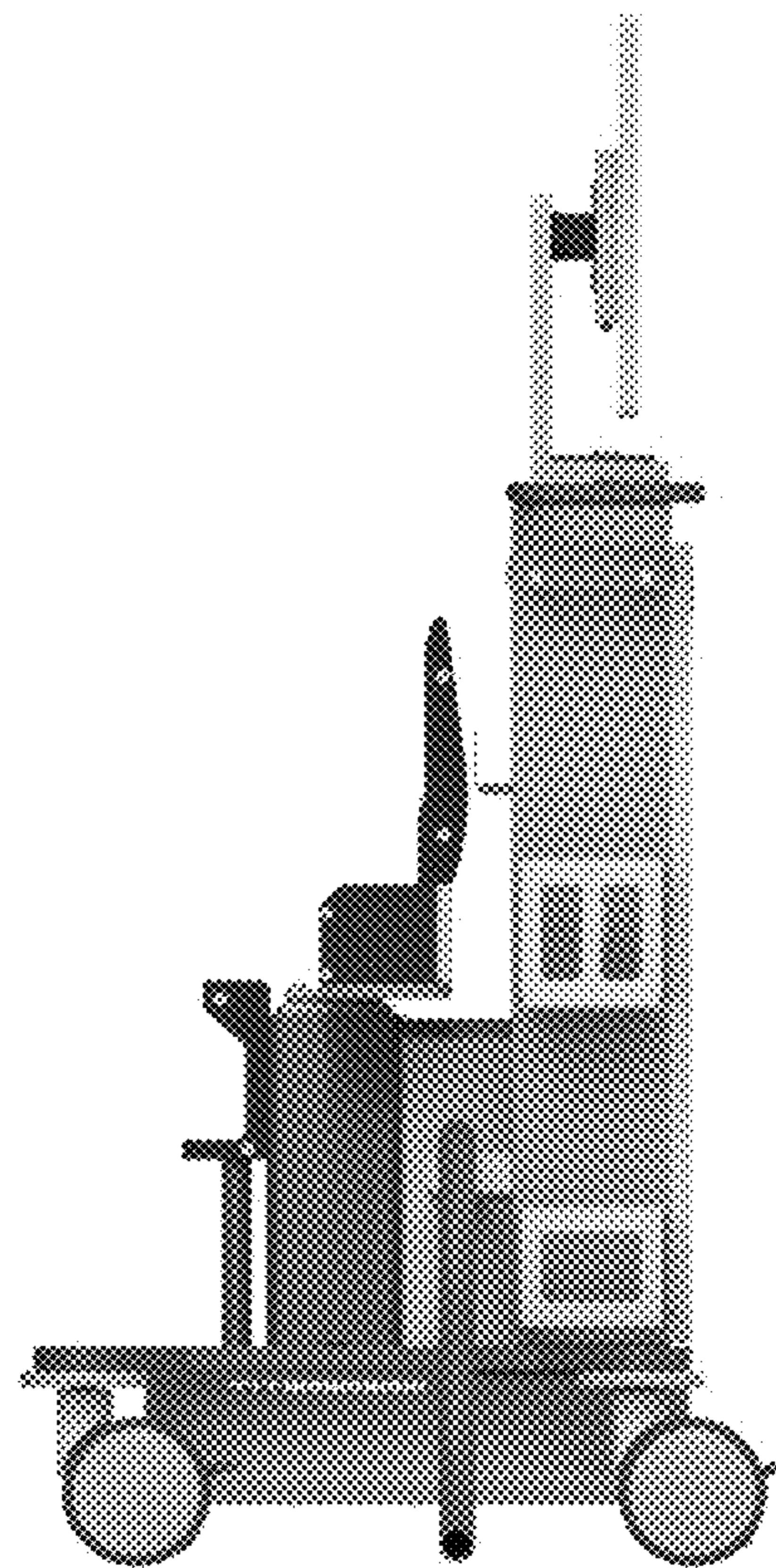
1.1



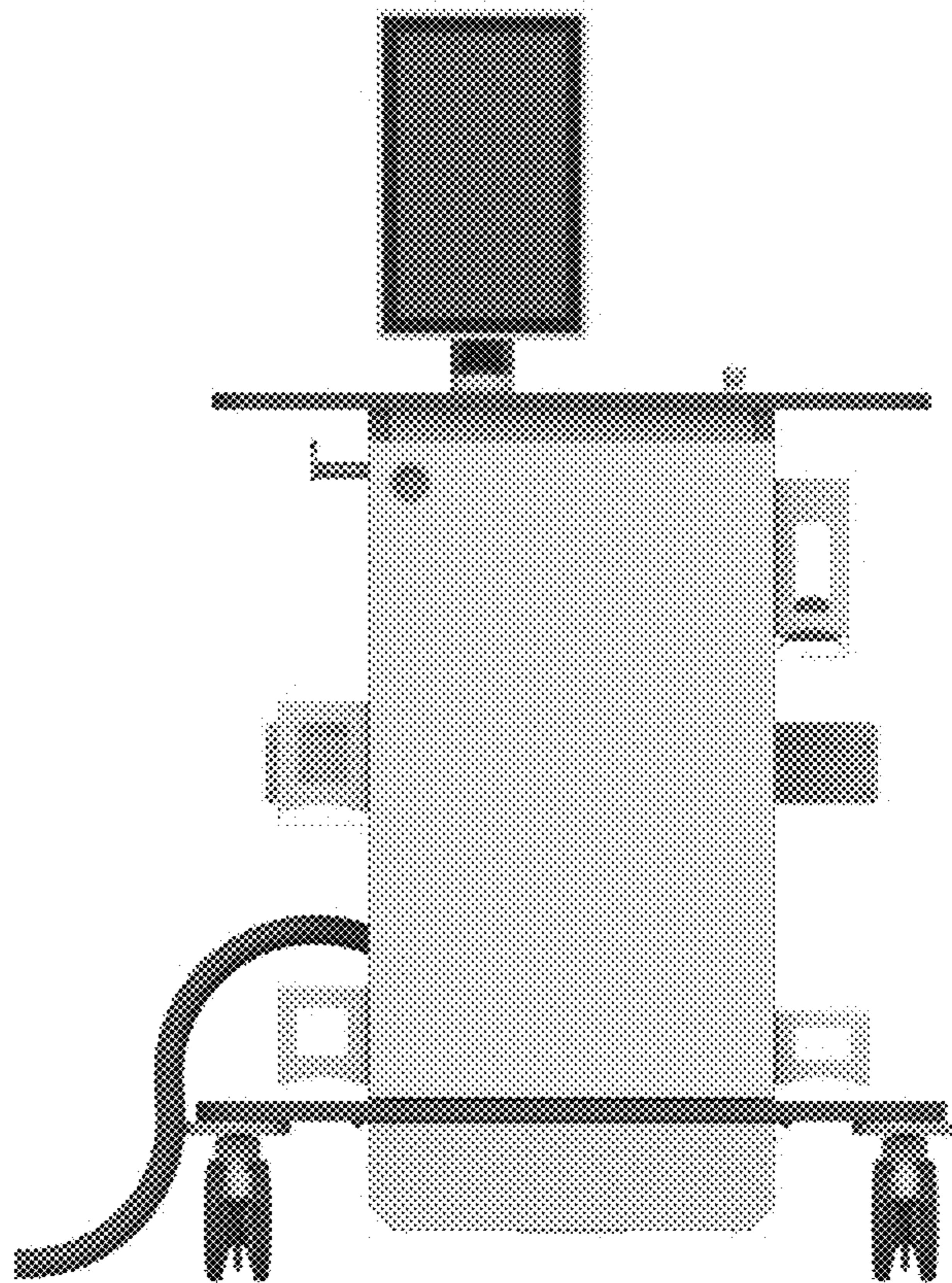
1.2



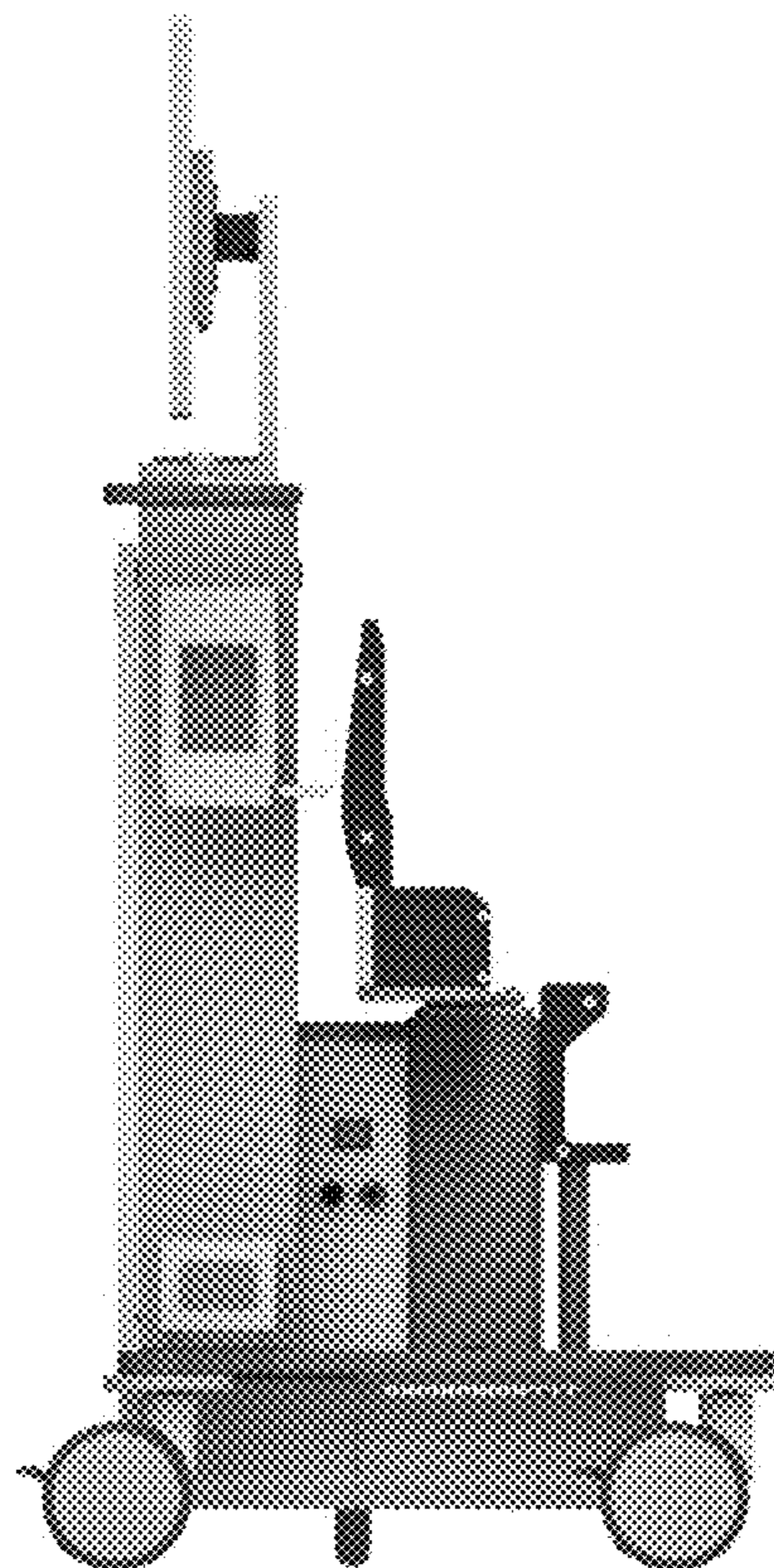
1.3



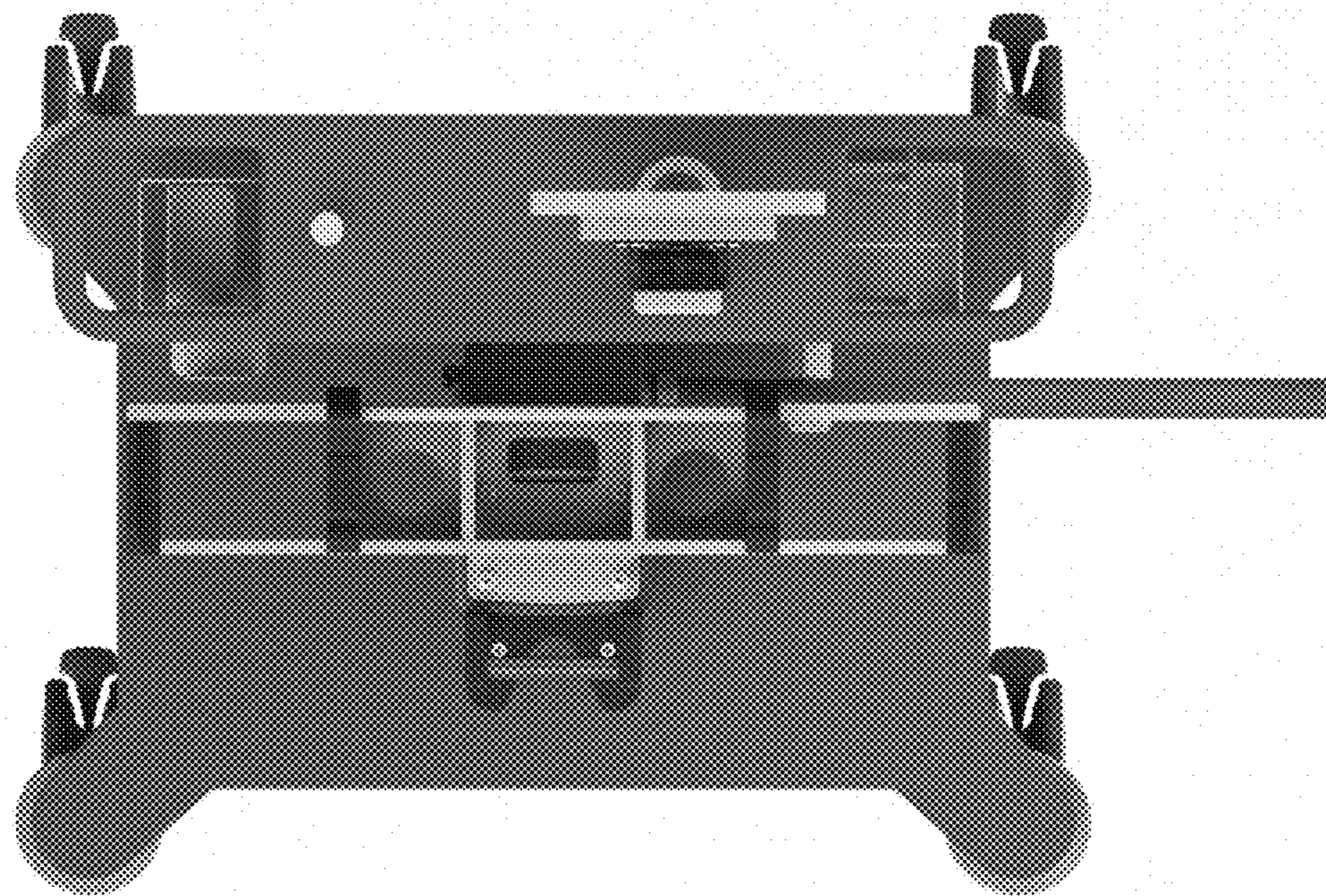
1.4



1.5



1.6



1.7

