



US00D905856S

(12) **United States Design Patent** (10) **Patent No.:** **US D905,856 S**
Lint et al. (45) **Date of Patent:** **** Dec. 22, 2020**

(54) **AUTOMATIC EXTERNAL DEFIBRILLATOR TRAINING DEVICE**

(71) Applicants: **Timothy E Lint**, North Royalton, OH (US); **Daniel R Moon**, Painesville, OH (US); **John J Pastrick**, University Hts, OH (US); **Joseph Spalding**, Lakewood, OH (US); **Michael Tracz**, Brecksville, OH (US)

(72) Inventors: **Timothy E Lint**, North Royalton, OH (US); **Daniel R Moon**, Painesville, OH (US); **John J Pastrick**, University Hts, OH (US); **Joseph Spalding**, Lakewood, OH (US); **Michael Tracz**, Brecksville, OH (US)

(73) Assignee: **Prestan Products LLC**, Mayfield Village, OH (US)

(**) Term: **15 Years**

(21) Appl. No.: **29/680,870**

(22) Filed: **Feb. 20, 2019**

Related U.S. Application Data

(62) Division of application No. 29/617,855, filed on Sep. 15, 2017, now Pat. No. Des. 844,788.

(51) **LOC (12) Cl.** **24-01**

(52) **U.S. Cl.**
USPC **D24/167**

(58) **Field of Classification Search**
USPC D24/107, 164–167, 186, 187, 200;
D10/75; D14/344, 358, 388, 389
CPC A61N 1/3956; A61N 1/3975; A61N
1/39622; A61N 1/3993; A61N 1/37229;
A61N 1/37276

See application file for complete search history.

(56) **References Cited**

U.S. PATENT DOCUMENTS

D372,977 S 8/1996 Bishay
5,662,690 A 9/1997 Cole et al.
D411,620 S 6/1999 Lindseth et al.
D414,266 S 9/1999 Pastrick et al.
D441,450 S 5/2001 Salvatori et al.
D447,241 S 8/2001 Deck
6,422,669 B1 7/2002 Salvatori
D466,215 S 11/2002 Lindseth et al.

(Continued)

OTHER PUBLICATIONS

American Red Cross, American Red Cross AED Training Device, <http://www.redcrossstore.org/Shopper/Product.aspx?UniqueItemId=498&ViewSource=Category>.

(Continued)

Primary Examiner — Anhdao Doan

(74) *Attorney, Agent, or Firm* — Ulmer & Berne LLP

(57) **CLAIM**

The ornamental design for an automatic external defibrillator training device, as shown and described.

DESCRIPTION

FIG. 1 is a perspective top view of our automatic external defibrillator training device;

FIG. 2 is a perspective bottom view thereof;

FIG. 3 is a top view thereof;

FIG. 4 is a bottom view thereof;

FIG. 5 is a left side view thereof;

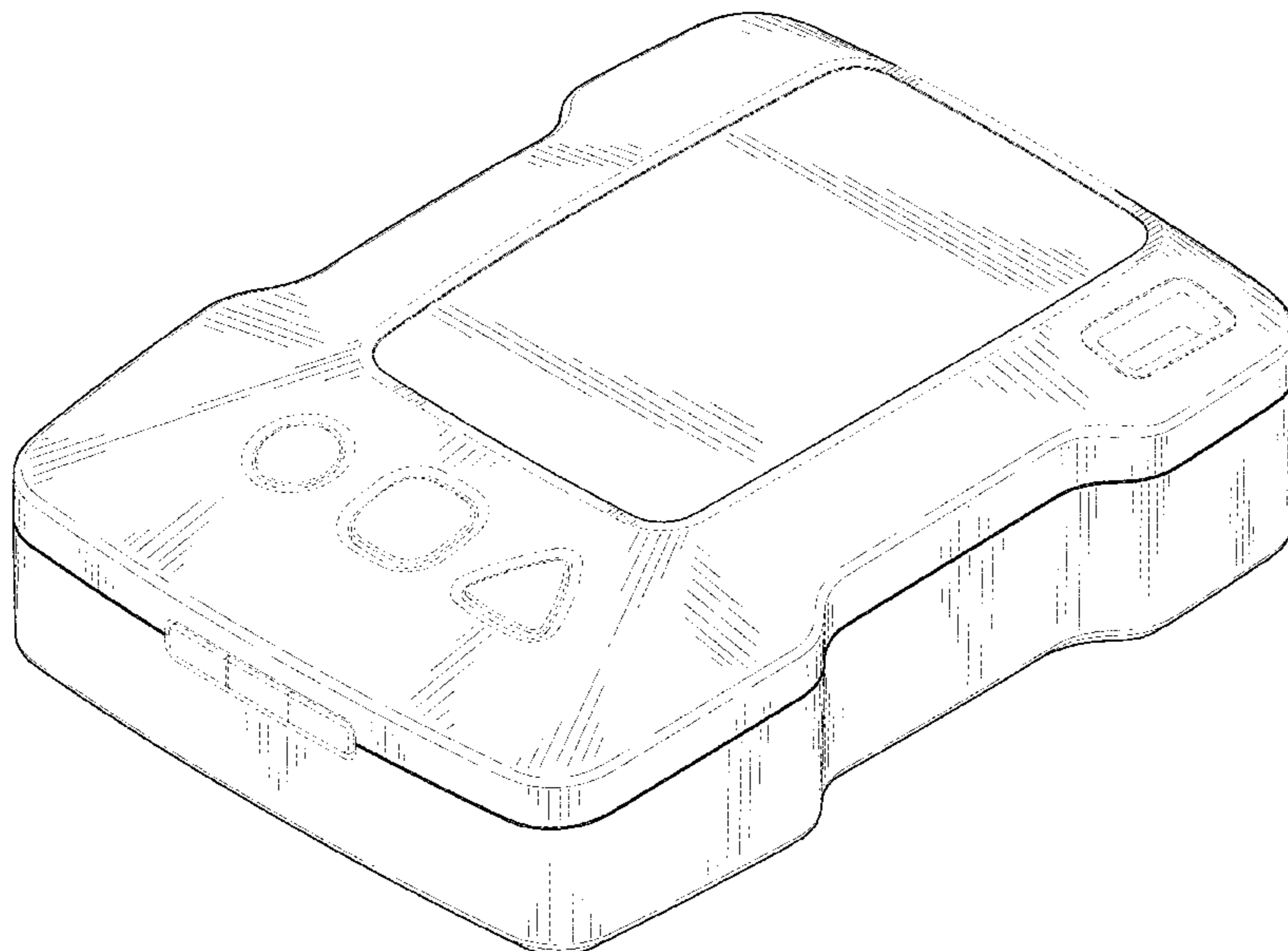
FIG. 6 is a right side view thereof;

FIG. 7 is a front end view thereof; and,

FIG. 8 is a rear end view thereof.

The dash-dot-dash broken lines represent the bounds of the claim, and the evenly spaced broken lines depict portions of the defibrillator that form no part of the claimed design. None of the broken lines form a part of the claimed design.

1 Claim, 5 Drawing Sheets



(56)

References Cited

U.S. PATENT DOCUMENTS

D471,279	S	3/2003	Locke et al.	
D484,981	S	1/2004	Faller et al.	
D485,360	S	1/2004	Faller et al.	
D490,156	S	5/2004	Fischer et al.	
D499,183	S	11/2004	Vaisnys et al.	
D548,346	S	8/2007	Vaisnys et al.	
D551,766	S	9/2007	Bertagnole et al.	
D600,814	S *	9/2009	Lathrop	D24/186
D621,511	S *	8/2010	Lathrop	D24/167
D625,013	S	10/2010	Kawamura et al.	
D679,017	S	3/2013	London	
D690,818	S	10/2013	Pastrick et al.	
D717,444	S	11/2014	Pastrick et al.	
D759,249	S *	6/2016	Beales	D24/167
2003/0208237	A1	11/2003	Locke	
2009/0248100	A1 *	10/2009	Vaisnys	A61N 1/3975 607/5
2009/0254136	A1	10/2009	Powers	
2018/0374391	A1 *	12/2018	Lint	A61N 1/3993

OTHER PUBLICATIONS

Work N Leisure Products, Inc., WNL Safety Products AED Practi-Trainer, <http://www.wnlsafety.com/Universal-AED-Trainer-p/wlaed.htm>.

Physio-Control, LifePak® CR-T AED Training System, <http://www.aedsuperstore.com/aed-training-units.html>.
 Physio-Control, LifePak® 500T AED Training System, <http://www.aedsuperstore.com/aed-training-units.html>.
 Philips, Philips HeartStart HS1 OnSite Trainer, <http://www.aedsuperstore.com/aed-training-units.html>.
 Heartsine, HeartSine™ Samaritan® PAD 300P Training Unit, <http://www.aedsuperstore.com/aed-training-units.html>.
 Philips, Philips HeartStart FR3 Trainer, <http://www.aedsuperstore.com/aed-training-units.html>.
 Philips, Philips HeartStart AED Trainer 2, <http://www.aedsuperstore.com/aed-training-units.html>.
 Zoll, Zoll® AED Plus®—Trainer 2, <http://www.aedsuperstore.com/aed-training-units.html>.
 Defibtech, Defibtech Stand Alone Training AED, <http://www.aedsuperstore.com/aed-training-units.html>.
 Cardiac Science, Powerheart/FirstSave Full Size Dual Mode AED Trainer, <http://www.aedsuperstore.com/aed-training-units.html>.
 Philips, Philips HeartStart AED Trainer 3, <http://www.aedsuperstore.com/aed-training-units.html>.
 Physio-Control, Physio-Control Lifepak® 1000 Training System, <http://www.aedsuperstore.com/aed-training-units.html>.

* cited by examiner

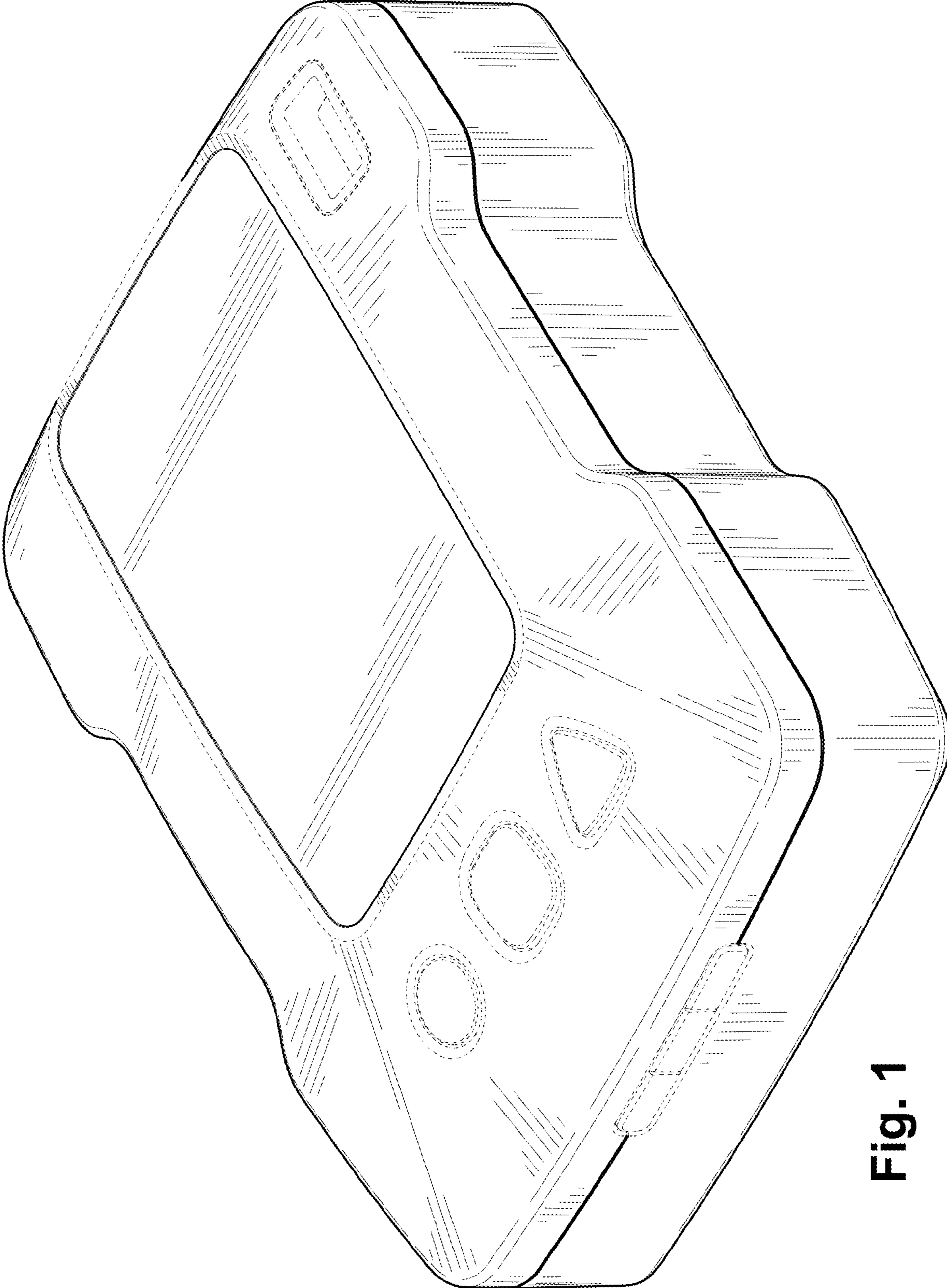


Fig. 1

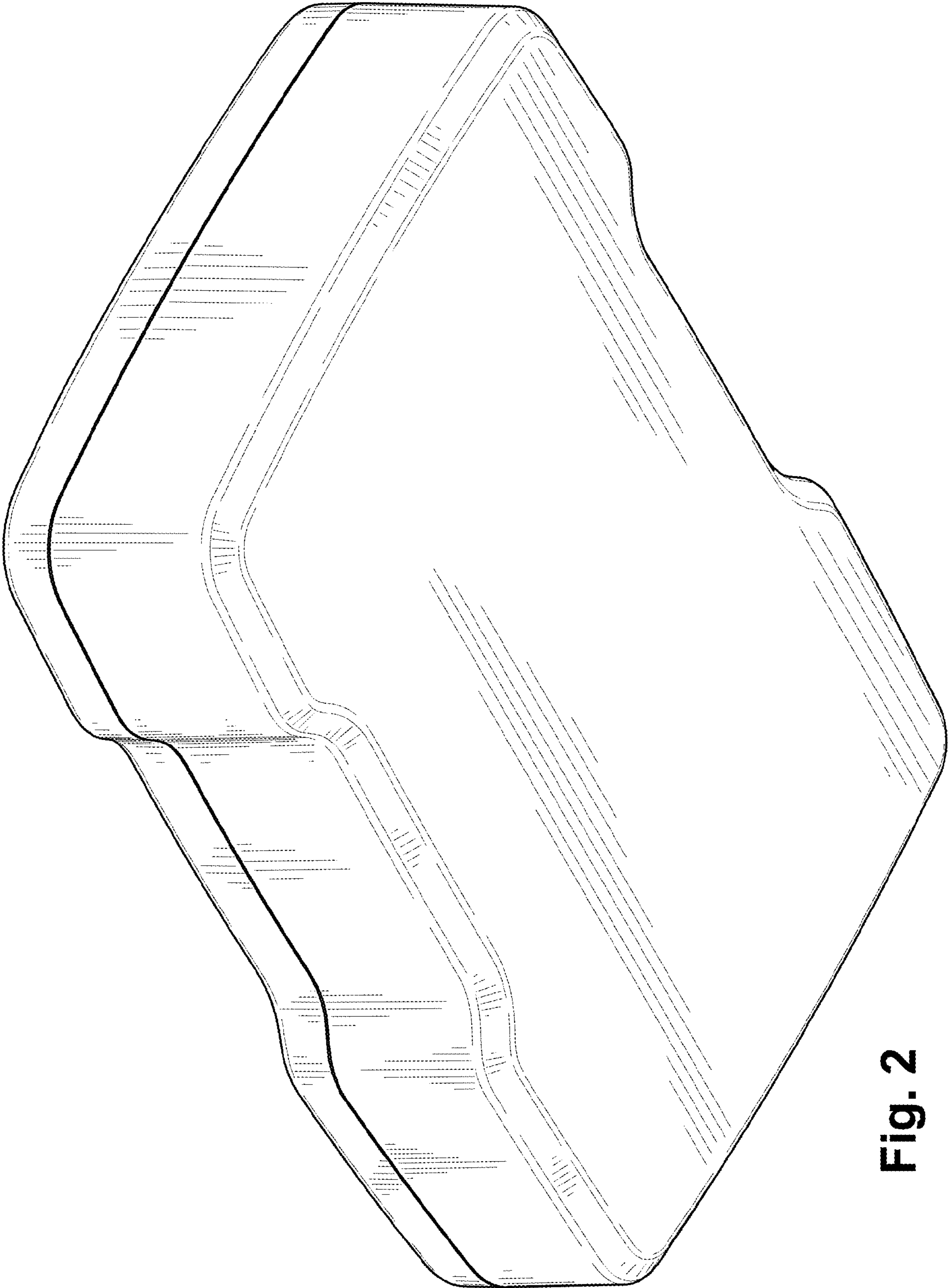


Fig. 2

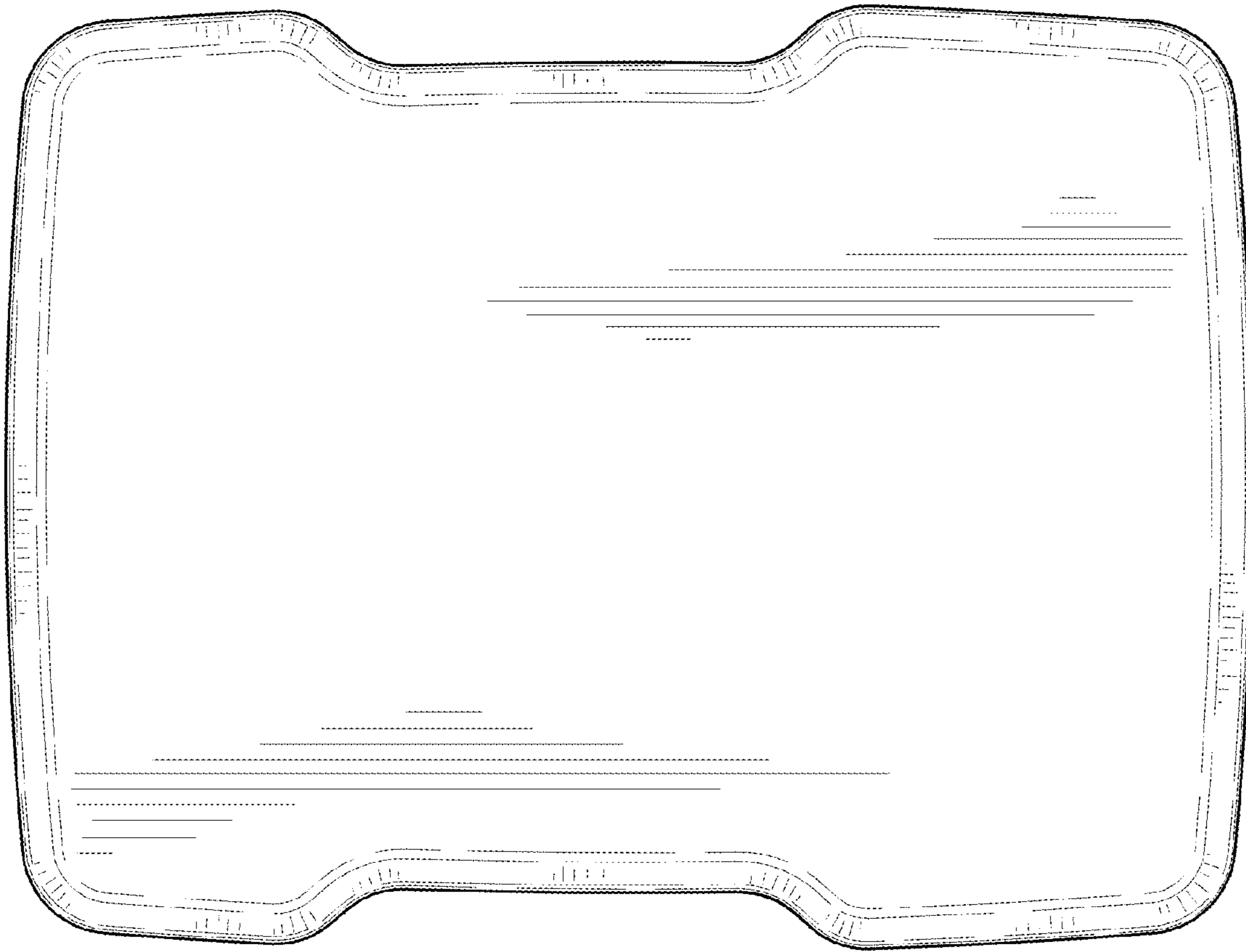


Fig. 4

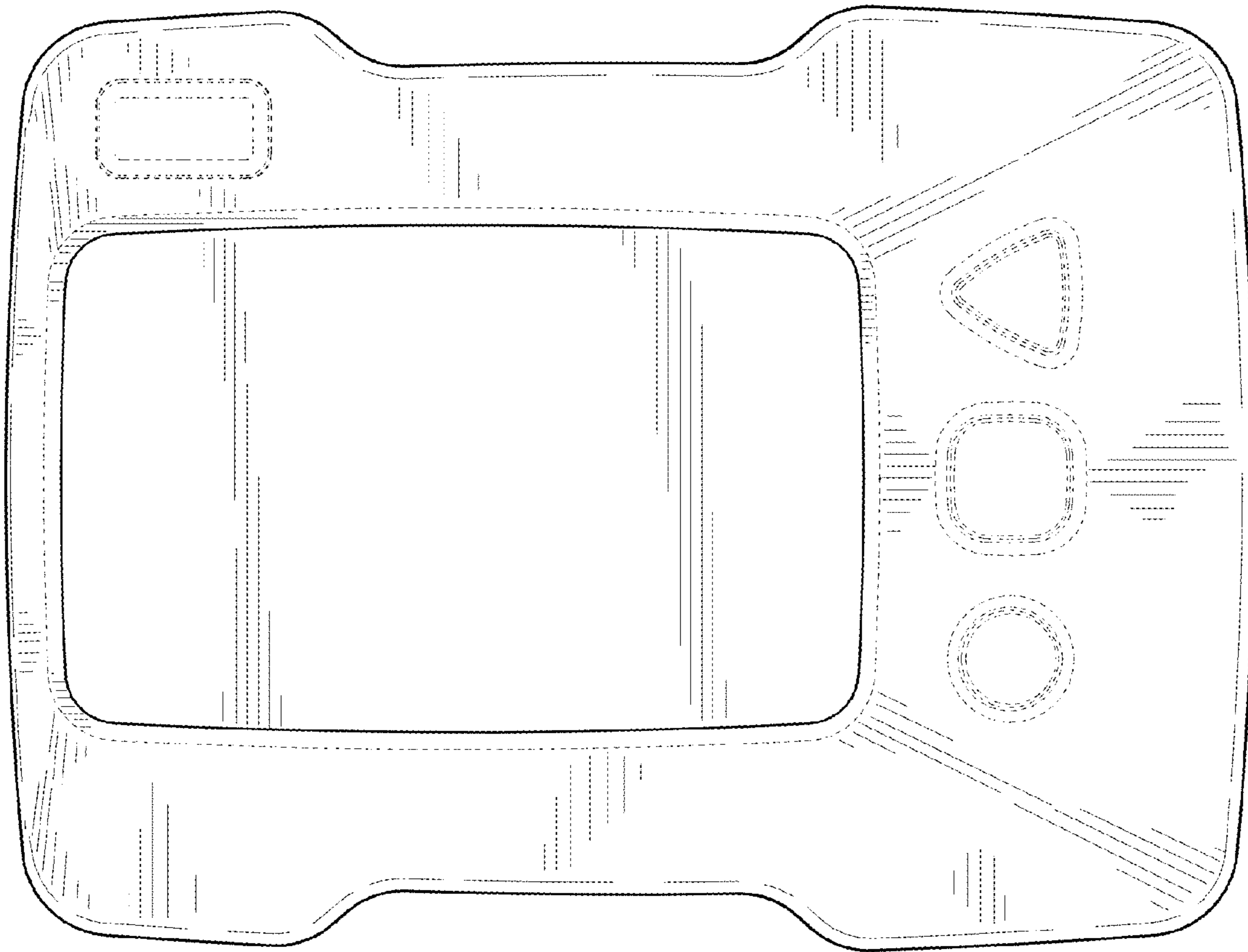


Fig. 3

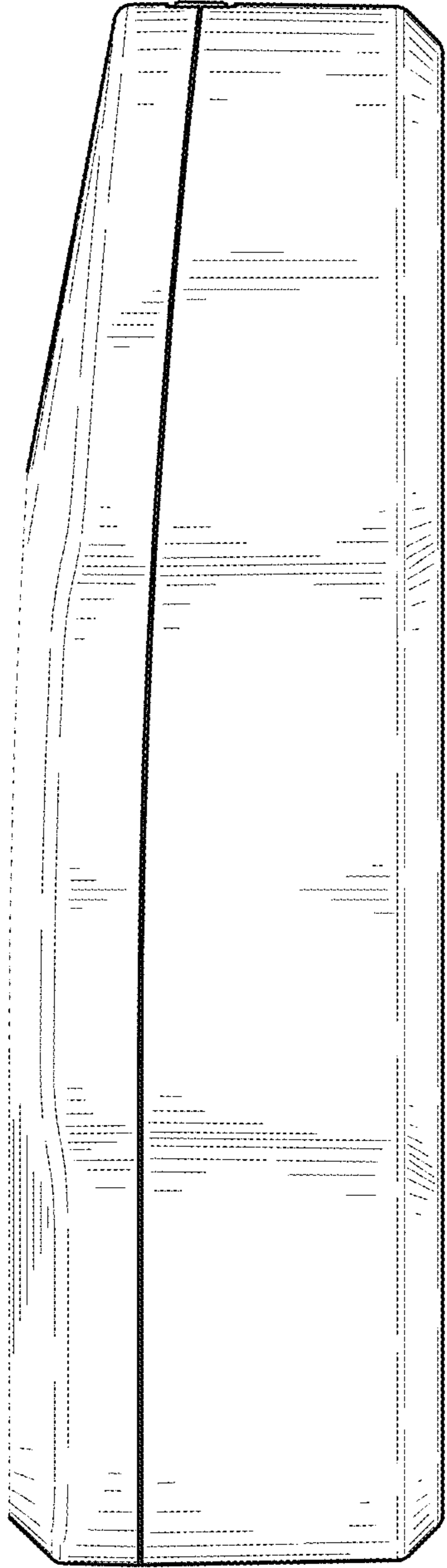


Fig. 5

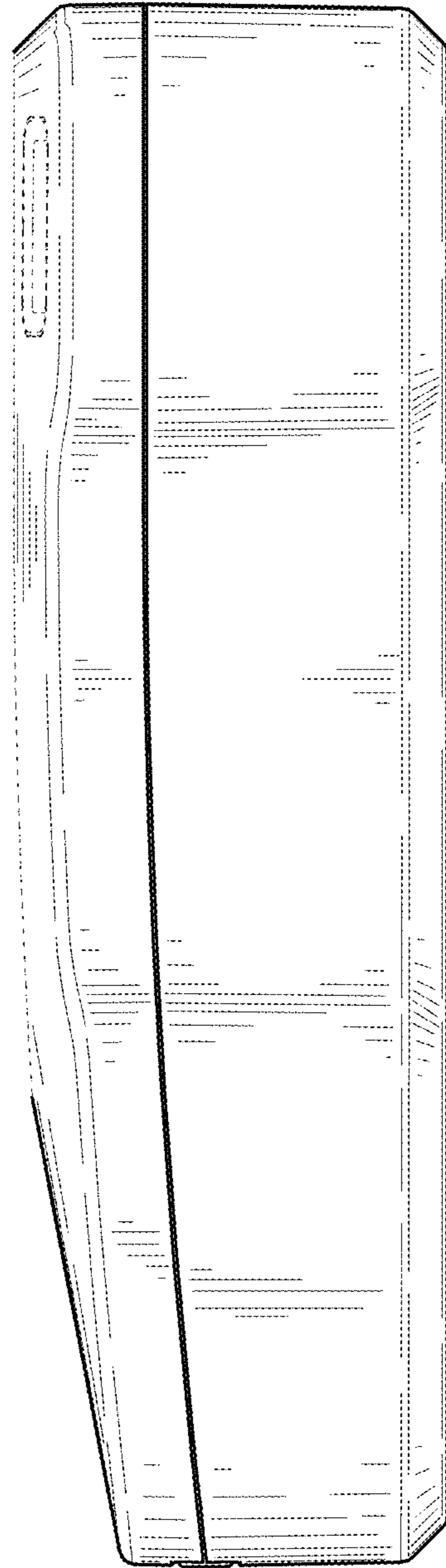


Fig. 6

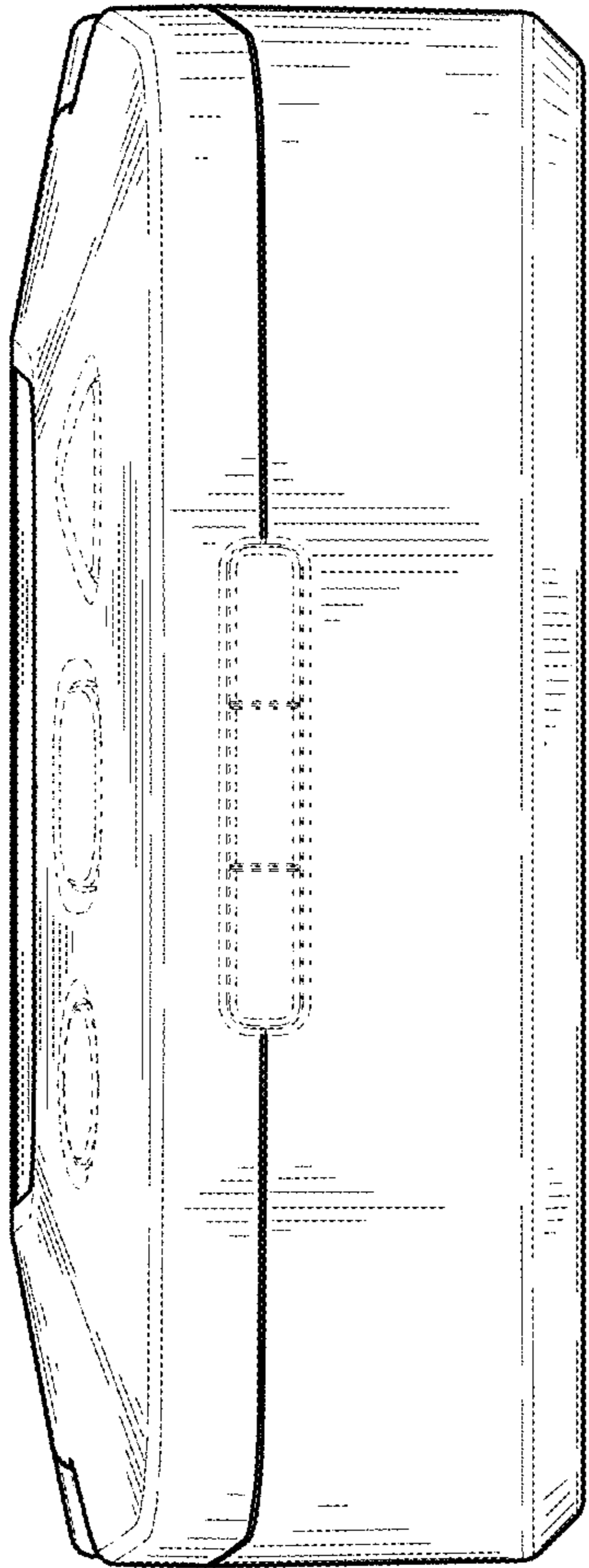


Fig. 7

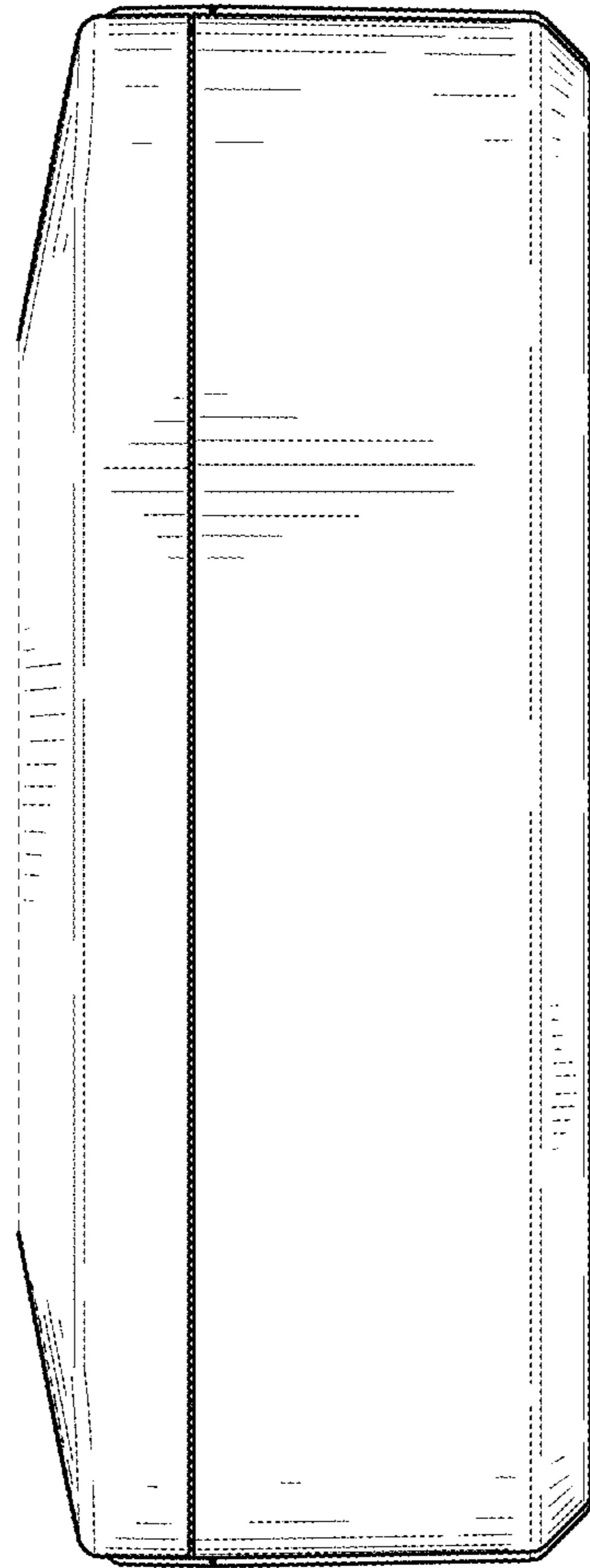


Fig. 8