



US00D905855S

(12) **United States Design Patent** (10) **Patent No.:** **US D905,855 S**
Feinberg et al. (45) **Date of Patent:** **** Dec. 22, 2020**

(54) **IMPLANT SHELL HAVING INTERNAL, CIRCUMFERENTIAL RIBS**

9,918,829 B2 3/2018 Van Epps et al.
10,052,190 B2 * 8/2018 Chitre A61F 2/12
2002/0038147 A1 * 3/2002 Miller, III A61F 2/12
623/8
2003/0036803 A1 2/2003 McGhan
2003/0093151 A1 * 5/2003 Zhang A61F 2/12
623/8

(71) Applicant: **Mentor Worldwide LLC**, Irvine, CA (US)

(72) Inventors: **Marc Feinberg**, Ringoes, NJ (US);
Joseph Henry Contiliano, Stewartsville, NJ (US)

(Continued)

(73) Assignee: **Mentor Worldwide LLC**, Irvine, CA (US)

EP 1510189 2/2005
WO 2018078446 5/2018

(**) Term: **15 Years**

OTHER PUBLICATIONS

(21) Appl. No.: **29/700,289**

International Search Report issued in corresponding International Application No. PCT/IB2019/056618, dated Dec. 17, 2019, 5 pages.

(22) Filed: **Aug. 1, 2019**

(51) **LOC (12) Cl.** **24-03**

Primary Examiner — Charles D Hanson

(52) **U.S. Cl.**
USPC **D24/155**

(74) *Attorney, Agent, or Firm* — Doherty IP Law Group LLC

(58) **Field of Classification Search**
USPC D24/155
CPC A61F 2/12
See application file for complete search history.

(57) **CLAIM**

The ornamental design for an implant shell having internal, circumferential ribs, as shown and described.

(56) **References Cited**

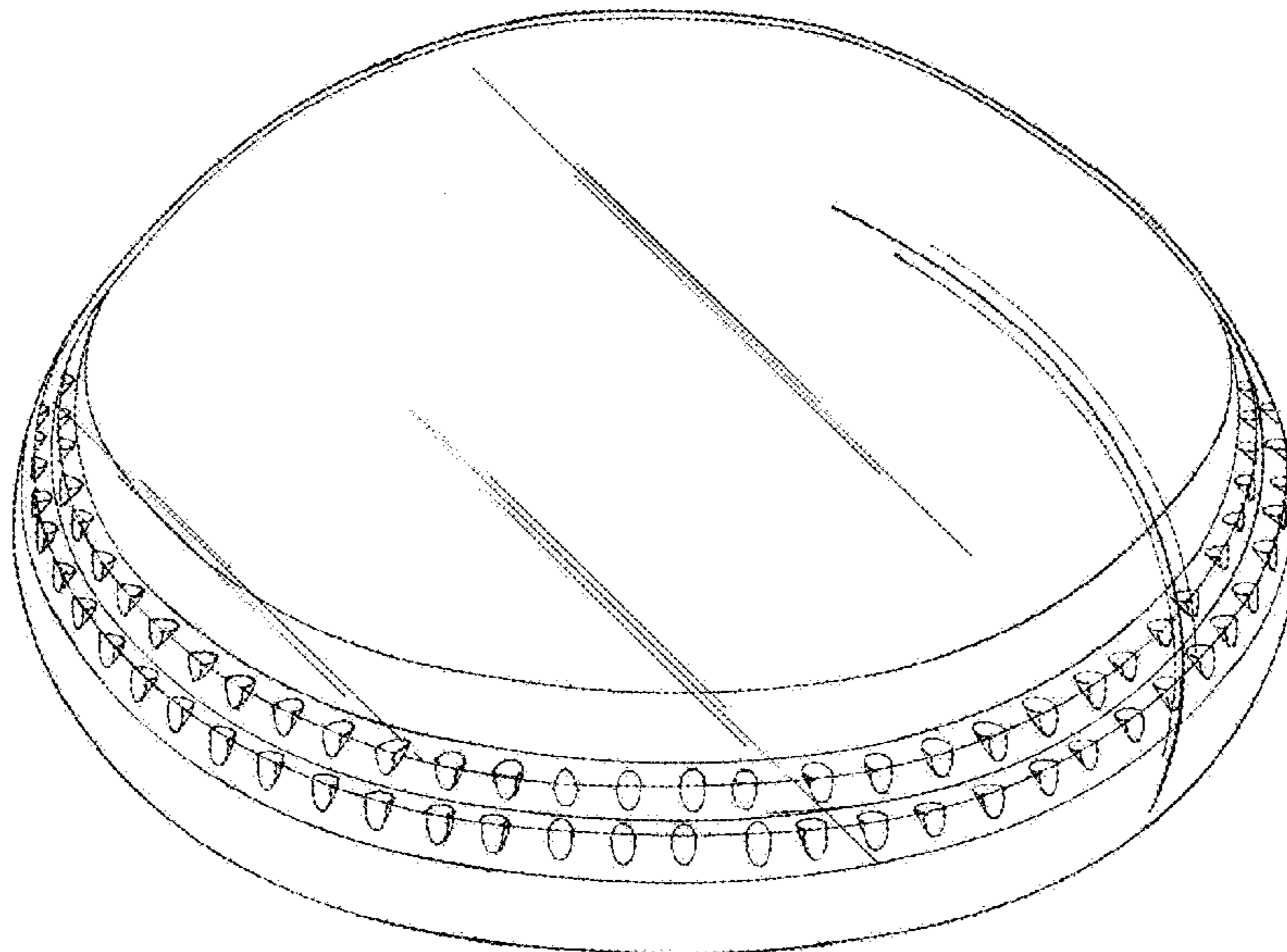
DESCRIPTION

U.S. PATENT DOCUMENTS

4,472,226 A	9/1984	Redinger et al.	
4,531,244 A	7/1985	Hamas	
5,104,409 A	4/1992	Baker	
5,447,535 A	9/1995	Muller	
6,228,116 B1	5/2001	Ledergerber	
6,387,133 B1 *	5/2002	Perouse	A61F 2/02 623/23.64
6,605,116 B2	8/2003	Falcon et al.	
8,192,486 B2	6/2012	Glicksman	
9,050,184 B2	6/2015	Van Epps	
9,138,310 B2	9/2015	Powell et al.	
9,138,311 B2	9/2015	Van Epps et al.	
9,387,068 B2 *	7/2016	Schuessler	B29C 73/16
9,808,338 B2	11/2017	Schuessler et al.	

FIG. 1 is a perspective view of an implant shell having internal, circumferential ribs, showing our new design; FIG. 2 is a side view of the implant shell having internal, circumferential ribs shown in FIG. 1; FIG. 3 is a top plan view of the implant shell having internal, circumferential ribs shown in FIG. 1; FIG. 4 is a bottom view of the implant shell having internal, circumferential ribs shown in FIG. 1; and, FIG. 5 is a partial cross-sectional view of the implant shell having internal, circumferential ribs taken along line 5-5 of FIG. 3.

1 Claim, 4 Drawing Sheets



(56)

References Cited

U.S. PATENT DOCUMENTS

2007/0093911 A1* 4/2007 Fricke A61F 2/12
623/23.72
2008/0221679 A1 9/2008 Hamas
2008/0312739 A1* 12/2008 Agerup A61L 27/52
623/8
2009/0198331 A1* 8/2009 Kesten A61F 2/12
623/8
2010/0114312 A1 5/2010 Glicksman
2011/0046729 A1 2/2011 Schuessler et al.
2012/0259428 A1 10/2012 Brogan et al.
2013/0123918 A1 5/2013 Glicksman
2014/0088703 A1 3/2014 Schuessler
2015/0327987 A1* 11/2015 Schuessler A61L 27/50
623/8
2018/0064530 A1 3/2018 Glicksman

* cited by examiner

FIG. 1

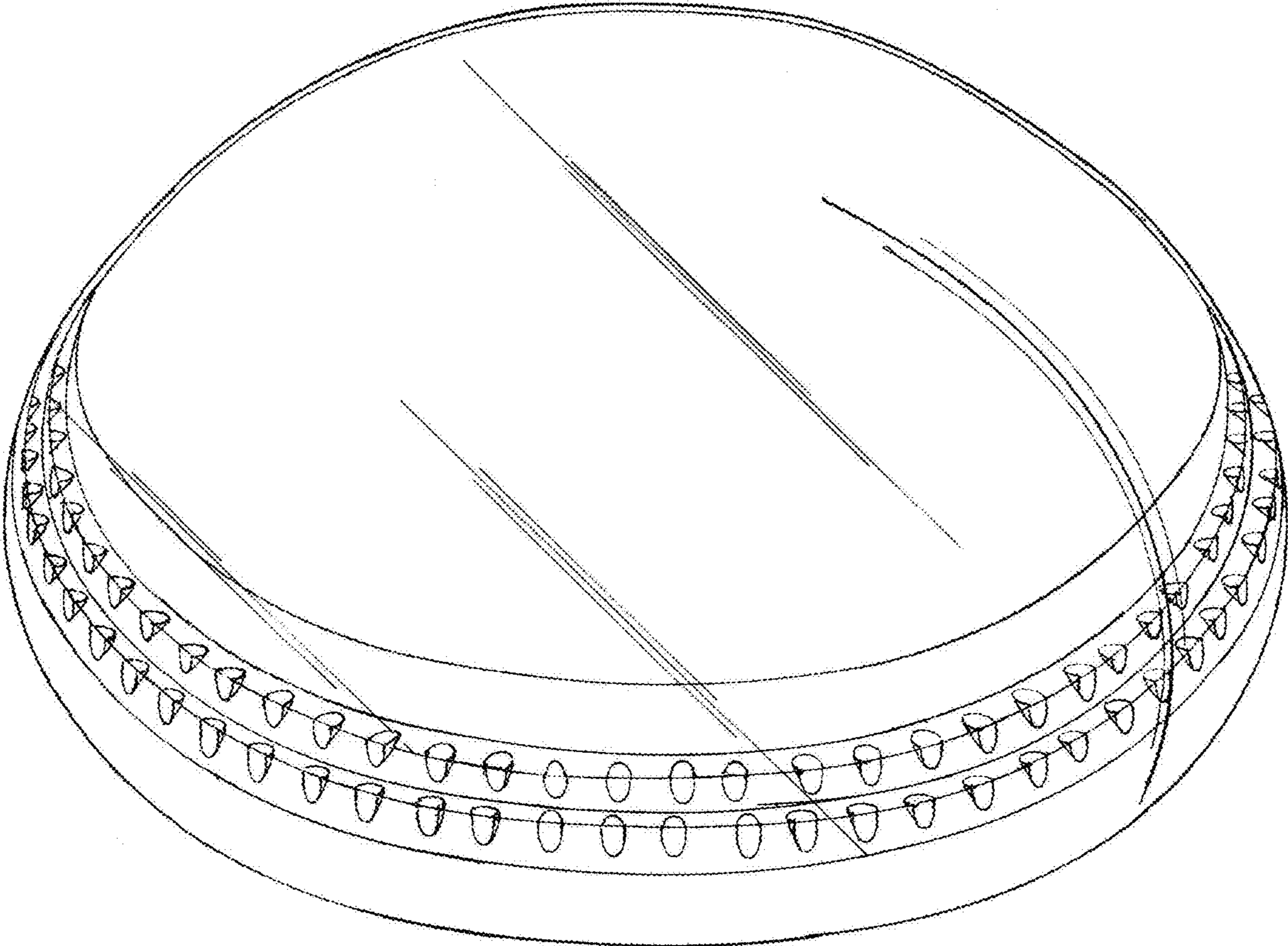


FIG. 2

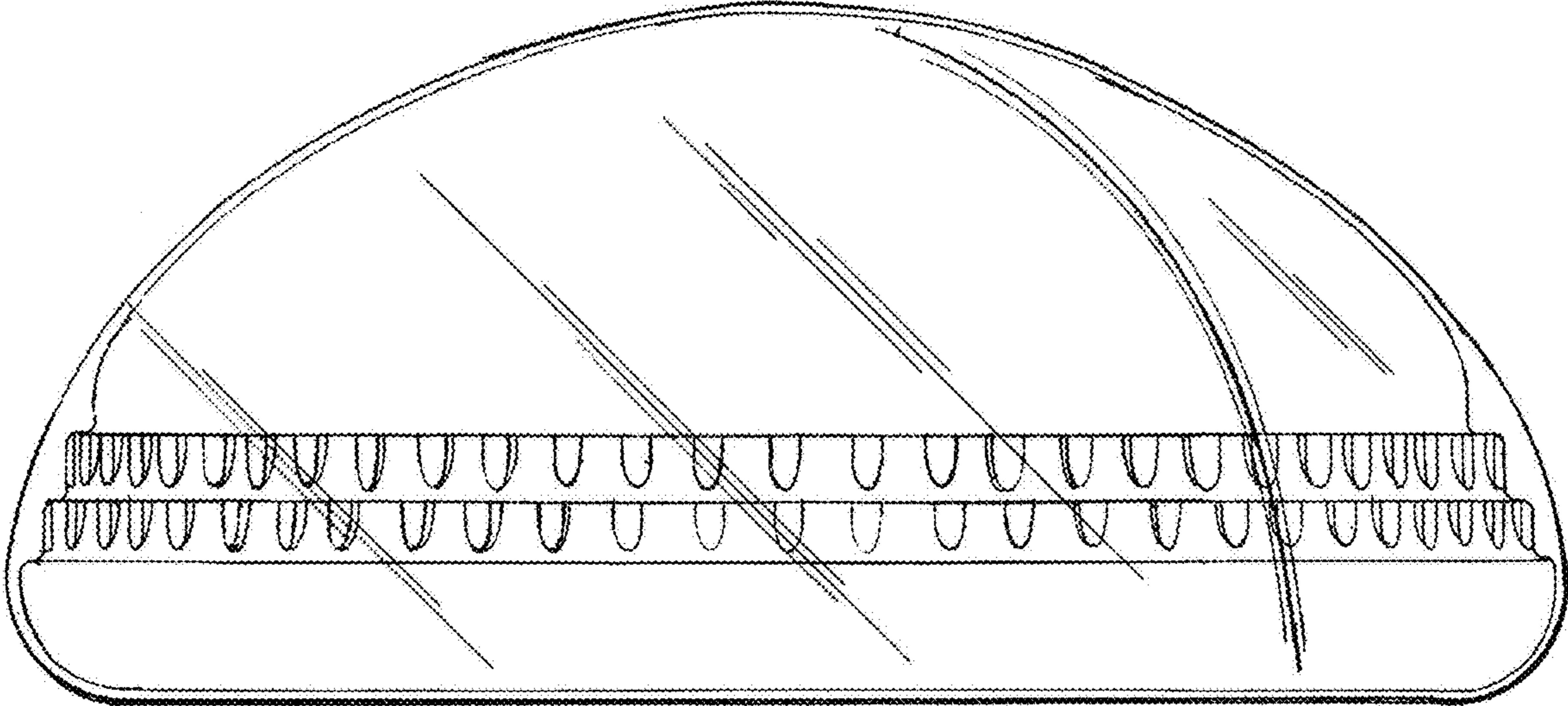


FIG. 3

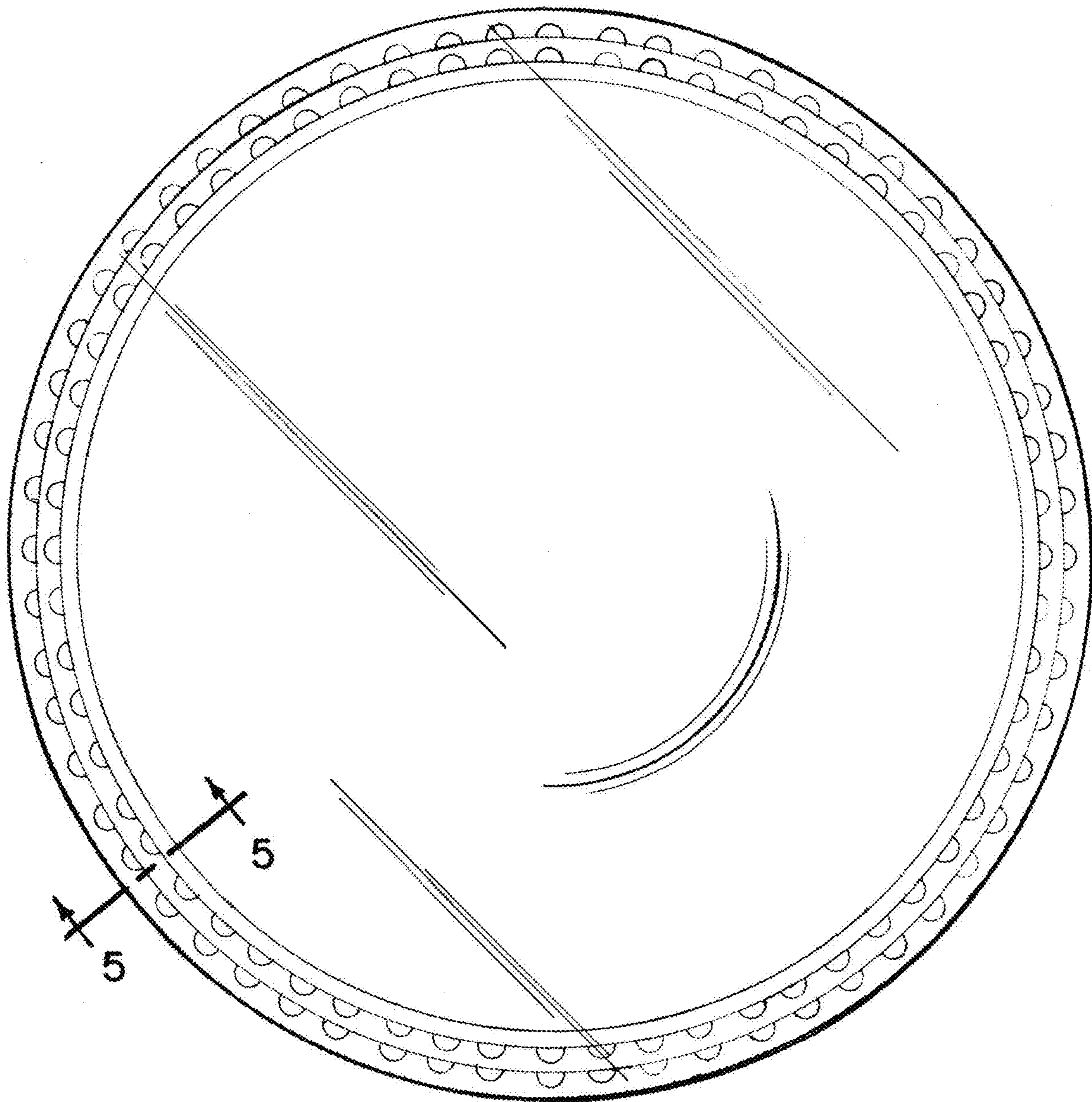
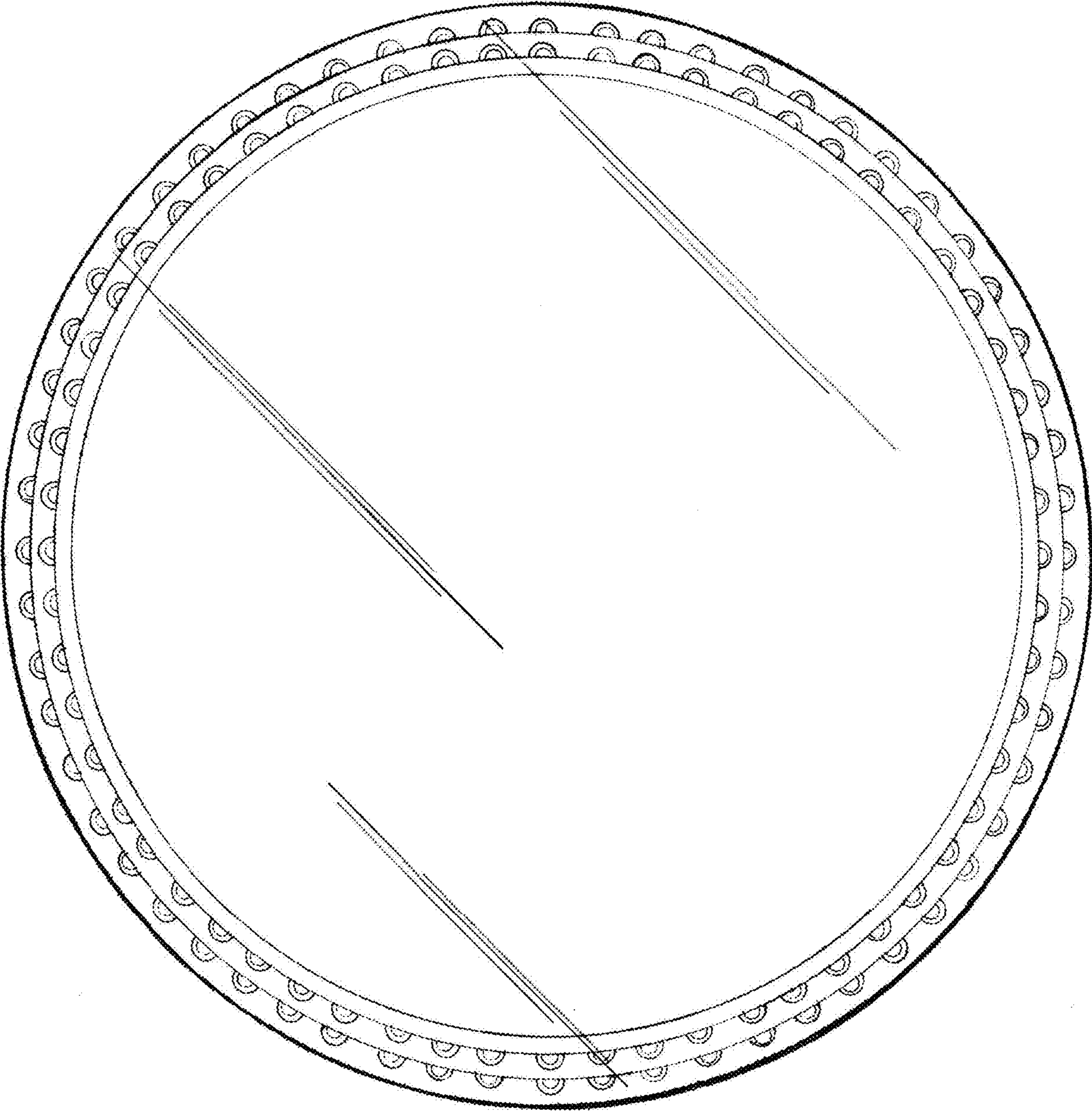


FIG. 4



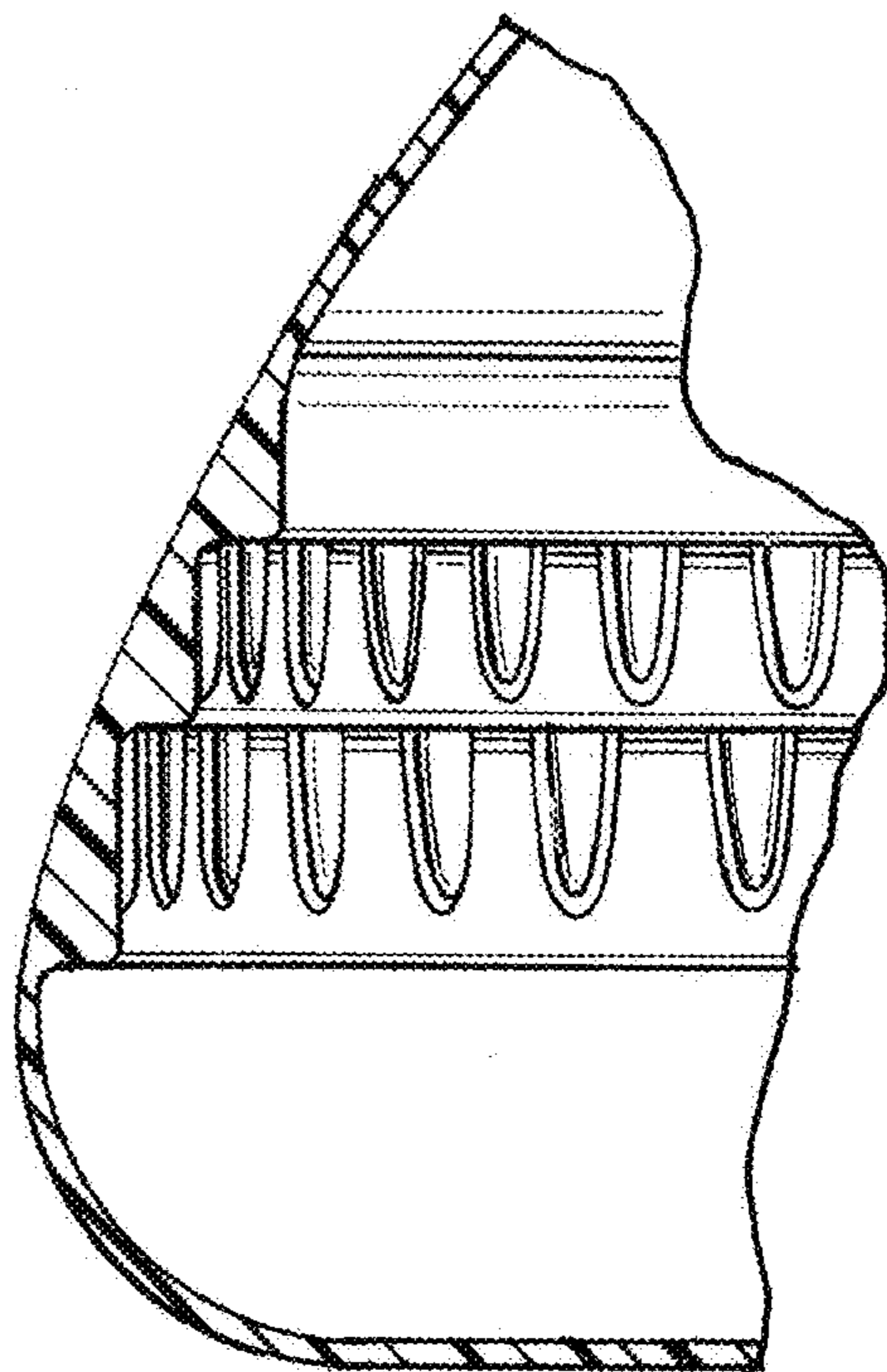


FIG. 5