



US00D905854S

(12) **United States Design Patent**
Kao

(10) **Patent No.:** **US D905,854 S**

(45) **Date of Patent:** **** Dec. 22, 2020**

(54) **CAUTERIZING DEVICE**

(71) Applicant: **Volta Innovations, S. de R.L. de C.V.**,
Mexquitic de Carmona (MX)

(72) Inventor: **Selvin Kao**, Ladera Ranch, CA (US)

(73) Assignee: **Volta Innovations, S. de R.L. de C.V.**,
Mexquitic de Carmona (MX)

(**) Term: **15 Years**

(21) Appl. No.: **29/694,224**

(22) Filed: **Jun. 7, 2019**

(51) **LOC (12) Cl.** **24-02**

(52) **U.S. Cl.**
USPC **D24/144**

(58) **Field of Classification Search**
USPC D24/144, 147, 133; 606/39-42, 45
CPC . A61B 18/14; A61B 18/1402; A61B 18/1477;
A61B 2018/00601; A61B 2018/00607;
A61B 2018/00708

See application file for complete search history.

(56) **References Cited**

U.S. PATENT DOCUMENTS

- 5,234,428 A * 8/1993 Kaufman A61B 18/1402
604/35
- D535,396 S * 1/2007 Reschke D24/144
- 7,172,592 B2 * 2/2007 DeSisto A61B 18/1402
606/37
- 7,879,033 B2 * 2/2011 Sartor A61B 18/1402
606/45
- D758,582 S * 6/2016 Cosmescu D24/144

- 9,987,074 B2 * 6/2018 Ineson A61B 18/1402
- 10,327,840 B2 * 6/2019 Ellman A61B 18/1477
- 2007/0135812 A1 * 6/2007 Sartor A61B 18/1482
606/42
- 2011/0071520 A1 * 3/2011 Gilbert A61B 18/14
606/42
- 2018/0243026 A1 * 8/2018 Park A61B 18/1402
- 2020/0054383 A1 * 2/2020 Kao A61B 18/14

* cited by examiner

Primary Examiner — Wan Laymon

(74) *Attorney, Agent, or Firm* — Innovation Capital Law
Group, LLP; Vic Lin

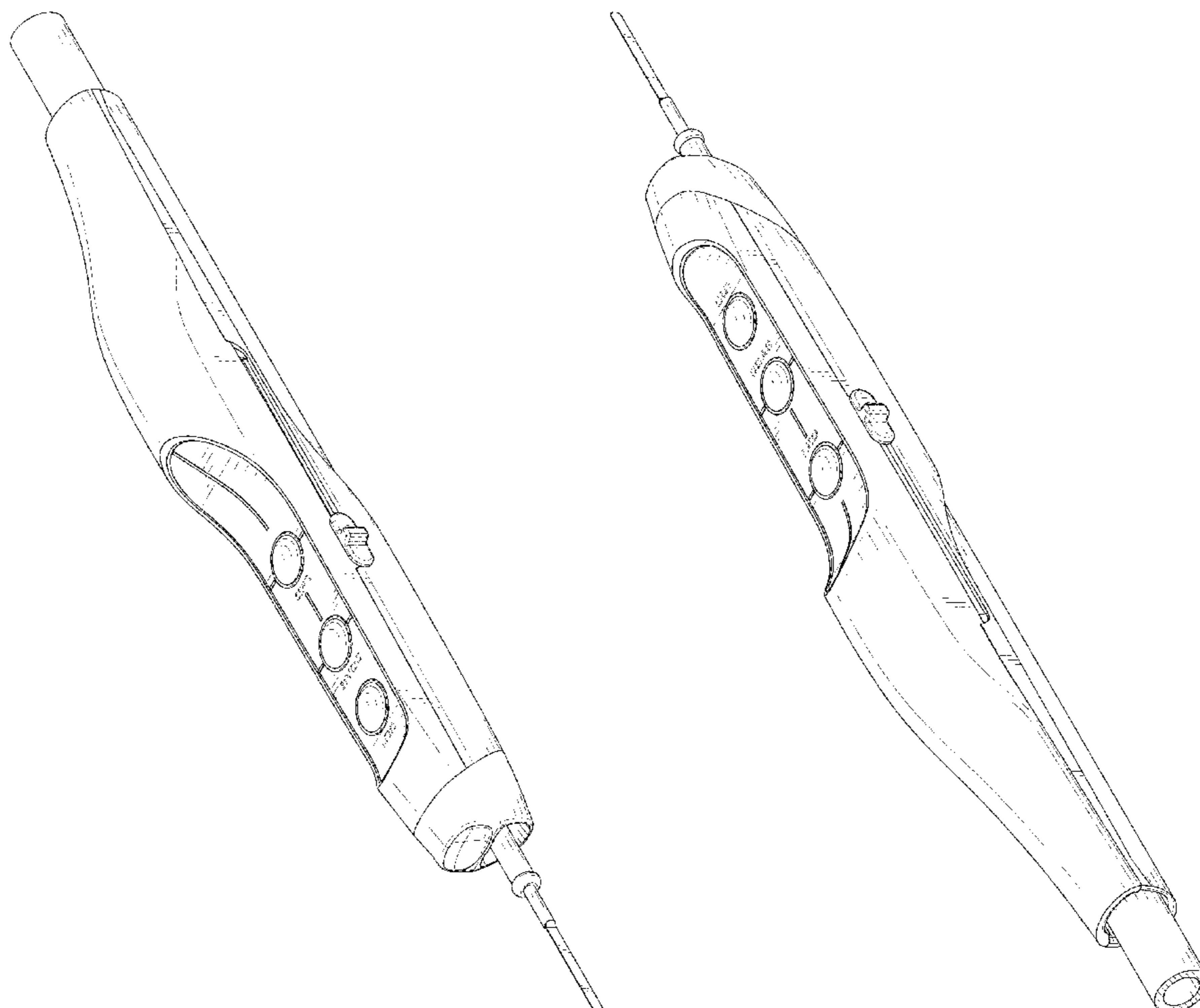
(57) **CLAIM**

The ornamental design for a cauterizing device, as shown
and described.

DESCRIPTION

FIG. 1 is an enlarged front elevation view of a cauterizing
device;
FIG. 2 is an enlarged rear elevation view thereof;
FIG. 3 is a left elevation view thereof;
FIG. 4 is a right elevation view thereof;
FIG. 5 is a top plan view thereof;
FIG. 6 is a bottom plan view thereof;
FIG. 7 is a front perspective view thereof; and,
FIG. 8 is a rear perspective view thereof.
The broken line portion of the figures is included to show
unclaimed subject matter only and forms no part of the
claimed design.

1 Claim, 8 Drawing Sheets



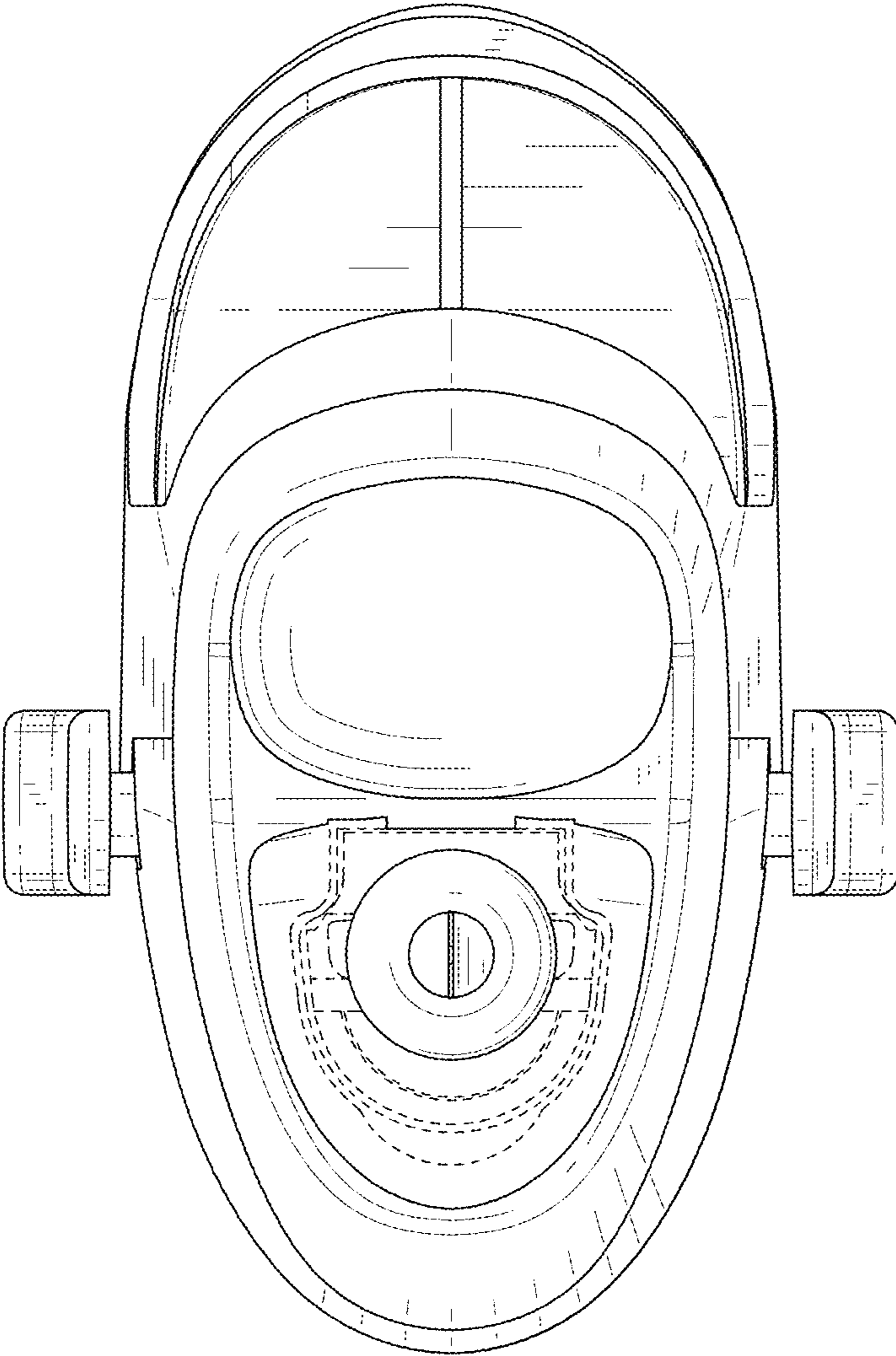


FIG. 1

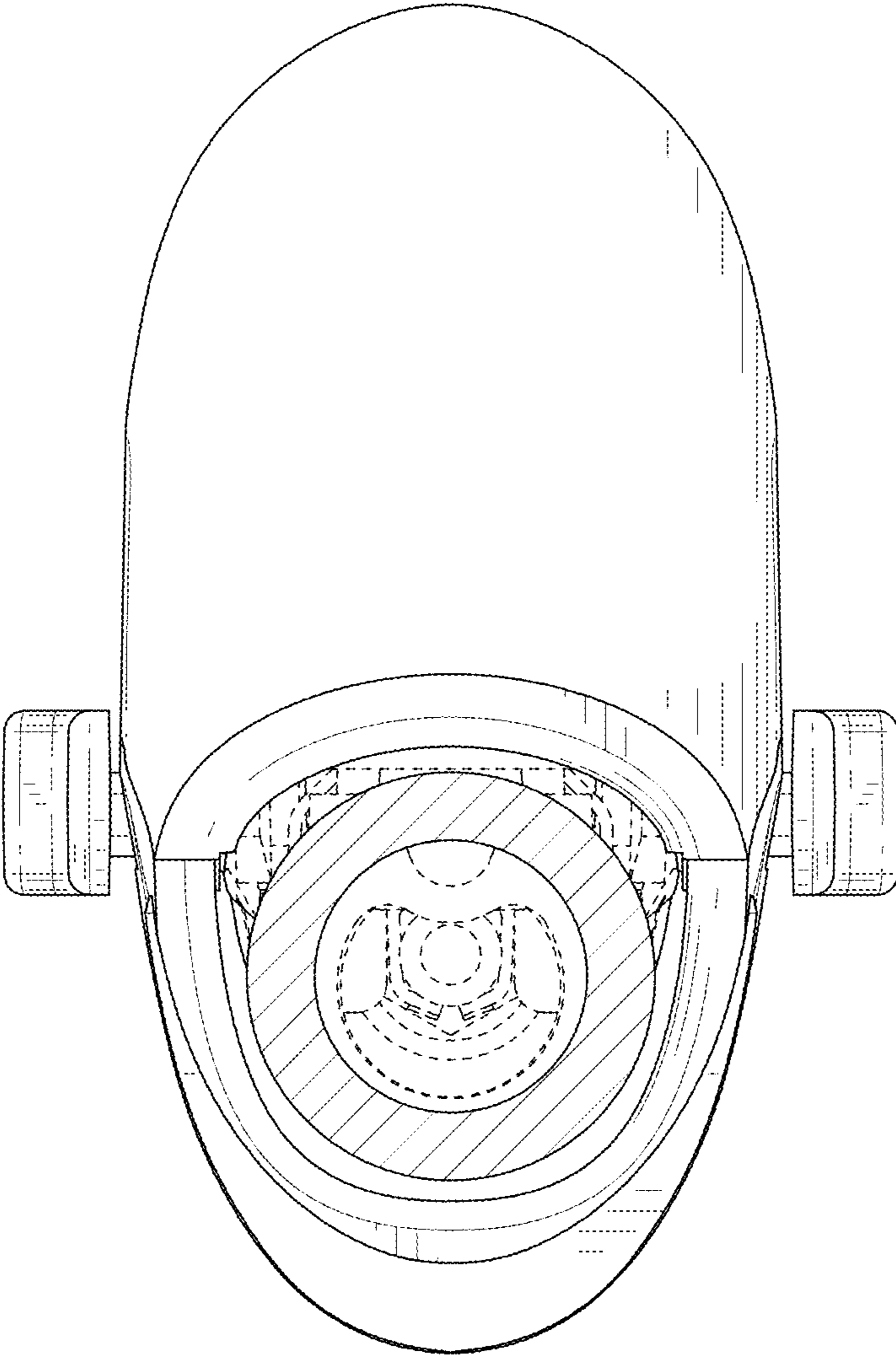


FIG. 2

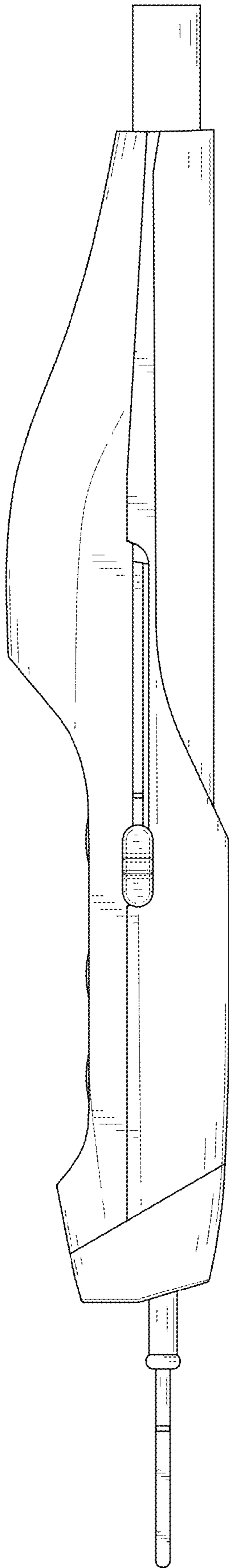


FIG. 3

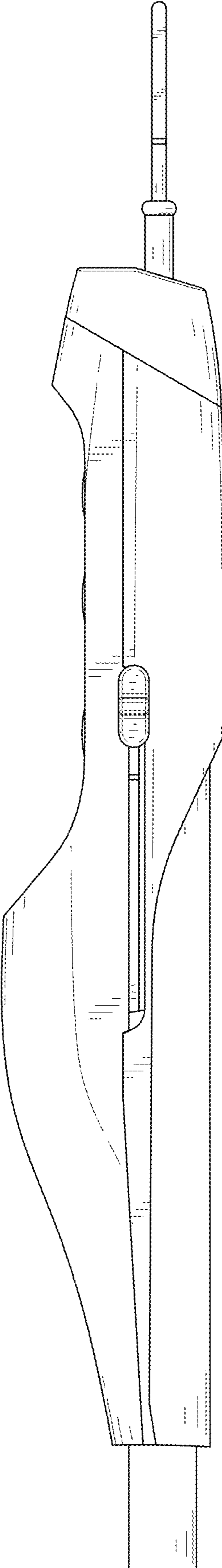


FIG. 4

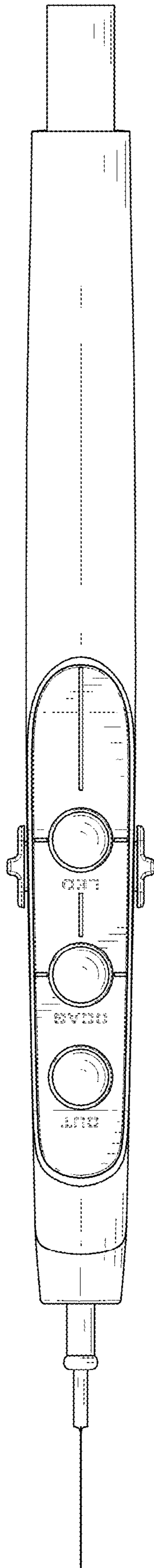


FIG. 5

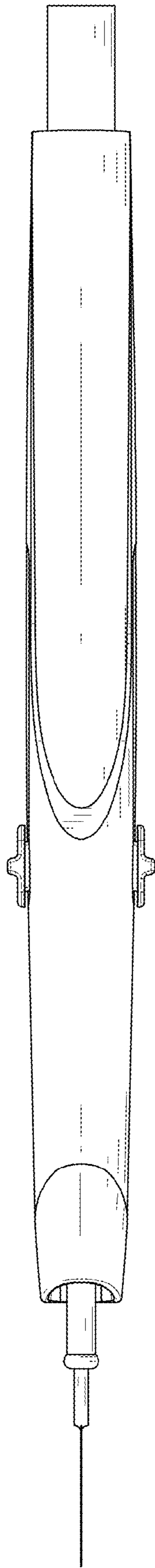


FIG. 6

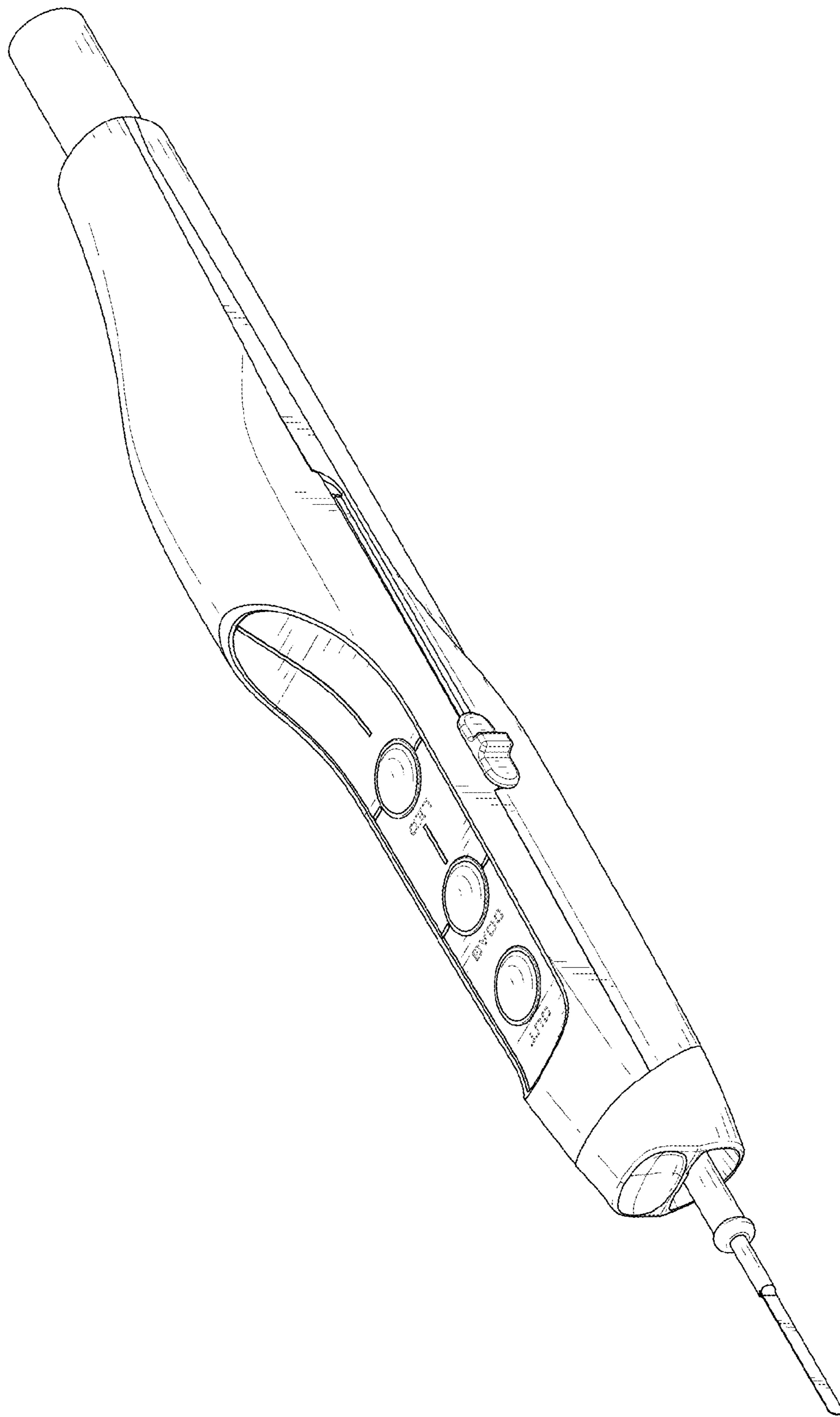


FIG. 7

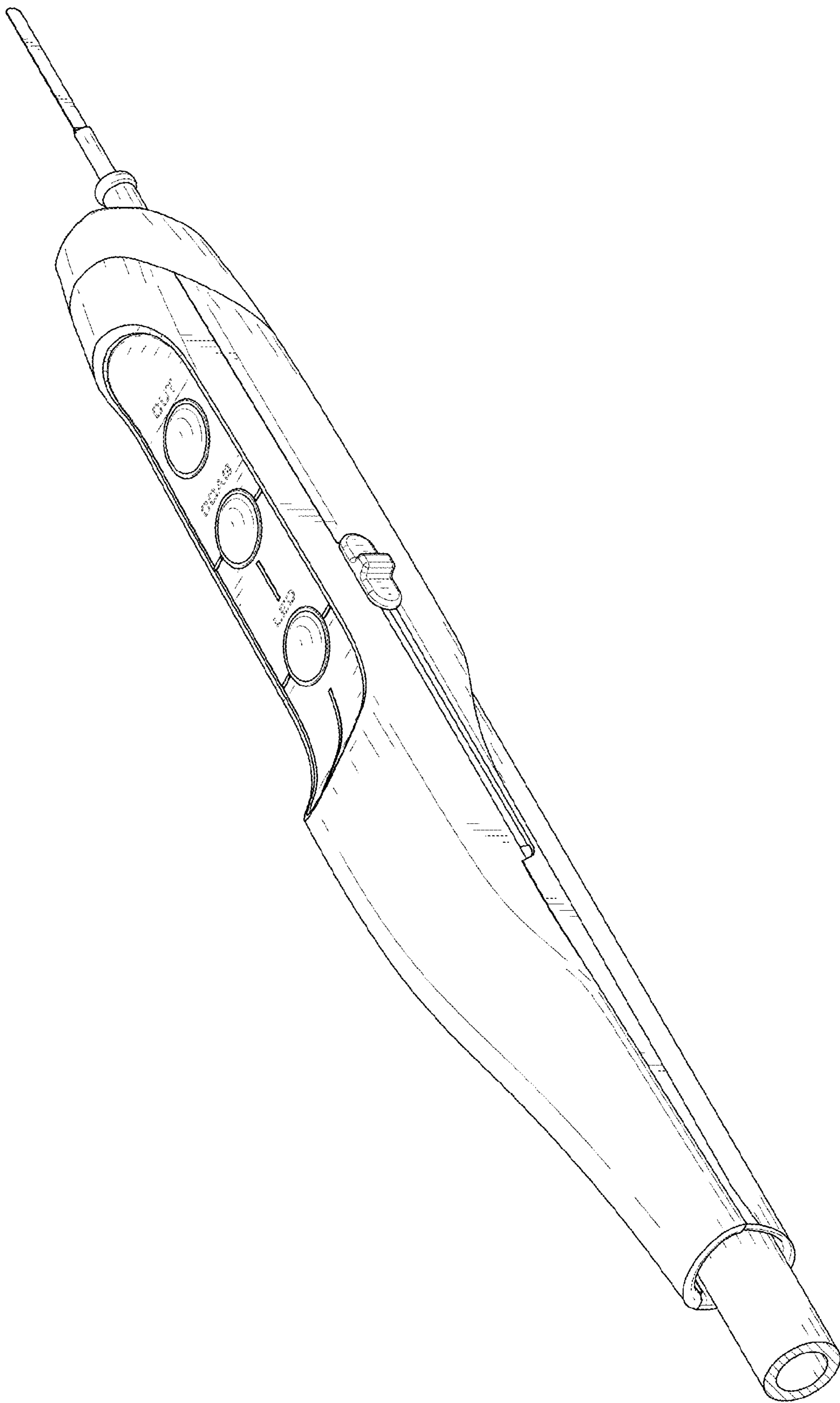


FIG. 8