



US00D905850S

(12) **United States Design Patent**
Ganter

(10) **Patent No.:** **US D905,850 S**

(45) **Date of Patent:** **** Dec. 22, 2020**

(54) **LEAK RESISTANT DROPPER**

DESCRIPTION

- (71) Applicant: **Bottle Barons, LLC**, Plano, TX (US)
- (72) Inventor: **Benjamin Alan Ganter**, Plano, TX (US)
- (73) Assignee: **Bottle Barons, LLC**, Plano, TX (US)
- (**) Term: **15 Years**
- (21) Appl. No.: **29/664,291**
- (22) Filed: **Sep. 24, 2018**
- (51) **LOC (12) Cl.** **24-02**
- (52) **U.S. Cl.**
USPC **D24/115**
- (58) **Field of Classification Search**
USPC D24/108, 110, 111, 112, 115, 119, 121,
D24/122, 123, 130, 133, 141, 152, 186,
(Continued)

(56) **References Cited**

U.S. PATENT DOCUMENTS

- 1,870,780 A * 8/1932 Milburn B01L 3/0282
604/295
- 1,941,441 A * 12/1933 Miller B01L 3/0282
604/197

(Continued)

OTHER PUBLICATIONS

Dropping Pipette illustrated at http://www.bacto.com.au/shop/index.php?route=product/product&product_id=18602 (1 page) date unknown.

Primary Examiner — L. A. Grabenstetter

(74) *Attorney, Agent, or Firm* — Ferguson Braswell
Fraser Kubasta PC; Elizabeth Philip Dahm; Kelly J.
Kubasta

(57) **CLAIM**

The ornamental design for a leak resistant dropper, as shown and described.

FIG. 1 illustrates a top perspective view of a leak resistant dropper.
 FIG. 2 illustrates a front view of the leak resistant dropper illustrated in FIG. 1.
 FIG. 3 illustrates a back view of the leak resistant dropper illustrated in FIG. 1.
 FIG. 4 illustrates a side view of the leak resistant dropper illustrated in FIG. 1.
 FIG. 5 illustrates another side view of the leak resistant dropper illustrated in FIG. 1.
 FIG. 6 illustrates a top view of the leak resistant dropper illustrated in FIG. 1.
 FIG. 7 illustrates a bottom view of the leak resistant dropper illustrated in FIG. 1.
 FIG. 8 illustrates a bottom perspective view of the leak resistant dropper illustrated in FIG. 1.
 FIG. 9 illustrates a cross-sectional view, taken from the direction of arrows 9-9 in FIG. 2, of the leak resistant dropper illustrated in FIG. 1.
 FIG. 10 illustrates a top perspective view of the leak resistant dropper illustrated in FIG. 1, shown with an unclaimed environment of a skirt. The dropper and the unclaimed skirt form a cap.
 FIG. 11 illustrates a front view of the leak resistant dropper illustrated in FIG. 10.
 FIG. 12 illustrates a back view of the leak resistant dropper illustrated in FIG. 10.
 FIG. 13 illustrates a side view of the leak resistant dropper illustrated in FIG. 10.
 FIG. 14 illustrates another side view of the leak resistant dropper illustrated in FIG. 10.
 FIG. 15 illustrates a top view of the leak resistant dropper illustrated in FIG. 10.
 FIG. 16 illustrates a bottom view of the leak resistant dropper illustrated in FIG. 10.
 FIG. 17 illustrates a bottom perspective view of the leak resistant dropper illustrated in FIG. 10.
 FIG. 18 illustrates a cross-sectional view, taken from the direction of arrows 18-18 in FIG. 11, of the leak resistant dropper illustrated in FIG. 10.

(Continued)

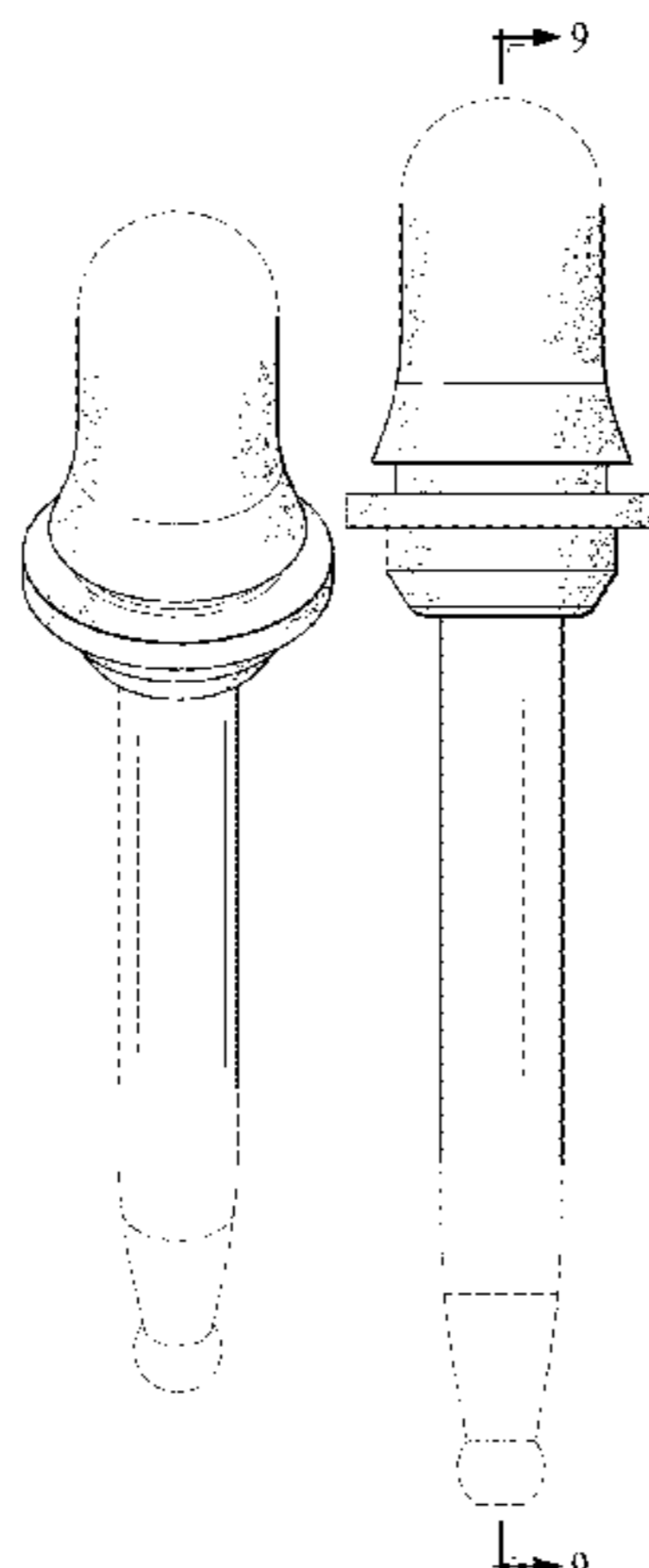


FIG. 19 illustrates a top perspective view of the leak resistant dropper illustrated in FIG. 1, shown with unclaimed environment of a skirt and a bottle. The dropper and the unclaimed skirt form a cap of the unclaimed bottle.

FIG. 20 illustrates a front view of the leak resistant dropper illustrated in FIG. 19.

FIG. 21 illustrates a back view of the leak resistant dropper illustrated in FIG. 19.

FIG. 22 illustrates a side view of the leak resistant dropper illustrated in FIG. 19.

FIG. 23 illustrates another side view of the leak resistant dropper illustrated in FIG. 19.

FIG. 24 illustrates a top view of the leak resistant dropper illustrated in FIG. 19.

FIG. 25 illustrates a bottom view of the leak resistant dropper illustrated in FIG. 19.

FIG. 26 illustrates a bottom perspective view of leak resistant dropper illustrated in FIG. 19.

FIG. 27 illustrates a cross-sectional view, taken from the direction of arrows 27-27 in FIG. 20, of the leak resistant dropper illustrated in FIG. 19; and,

FIG. 28 illustrates a side view of the leak resistant dropper illustrated in FIG. 1 shown in an unclaimed environment of a bottle. The dropper is a cap in the unclaimed bottle. The broken lines and unshaded surfaces depicting parts of the dropper bulb, flange, and pipette show parts of the leak resistant dropper that form no part of the claimed design. The broken lines depicting a skirt and bottle in FIGS. 10-28 show environmental subject matter only and form no part of the claimed design.

1 Claim, 16 Drawing Sheets

(58) **Field of Classification Search**
 USPC D24/215, 222; D28/7, 8; D9/436, 439, D9/440, 447, 723; D7/669
 CPC A61F 9/0008; B65D 47/18; B01L 3/0282
 See application file for complete search history.

(56)

References Cited

U.S. PATENT DOCUMENTS

2,087,374	A *	7/1937	Dykema	B01L 3/0282
				141/24
2,156,112	A *	4/1939	Dykema	B01L 3/0282
				141/24
2,742,195	A	4/1956	Elder, Jr.	
2,854,003	A *	9/1958	Kirsch	B01L 3/0282
				141/24
2,870,797	A *	1/1959	Marchant	B01L 3/0282
				141/24
2,872,950	A *	2/1959	Castelli	B01L 3/0282
				141/24
D185,414	S *	6/1959	Dailey	D24/115
2,913,017	A *	11/1959	Robineau	B01L 3/0282
				141/24
D211,674	S *	7/1968	Jones et al.	D24/115
4,212,204	A *	7/1980	St. Amand	B01L 3/021
				222/209
D257,791	S *	1/1981	Parker	D24/114
D260,434	S *	8/1981	St. Amand	D24/115
4,286,633	A *	9/1981	Herr	B65D 50/041
				141/24
D268,131	S *	3/1983	St. Amand	D24/222
4,383,618	A *	5/1983	Dougherty	B65D 50/046
				215/216
4,416,400	A *	11/1983	Dougherty, Sr.	B01L 3/0282
				141/24
RE31,555	E *	4/1984	Garren	B01L 3/021
				222/209
5,505,712	A *	4/1996	McMillian	A61M 35/003
				222/192
D373,827	S *	9/1996	Polaniec	D24/112
D416,793	S *	11/1999	Faughey	D24/110
6,481,600	B2 *	11/2002	Buehler	B01L 3/0272
				141/24
H002101	H *	5/2004	Faughey	141/22
D628,089	S *	11/2010	Ashiwa	D9/723
9,908,666	B2	3/2018	Walsh et al.	
2015/0053224	A1	2/2015	Lundin	

* cited by examiner

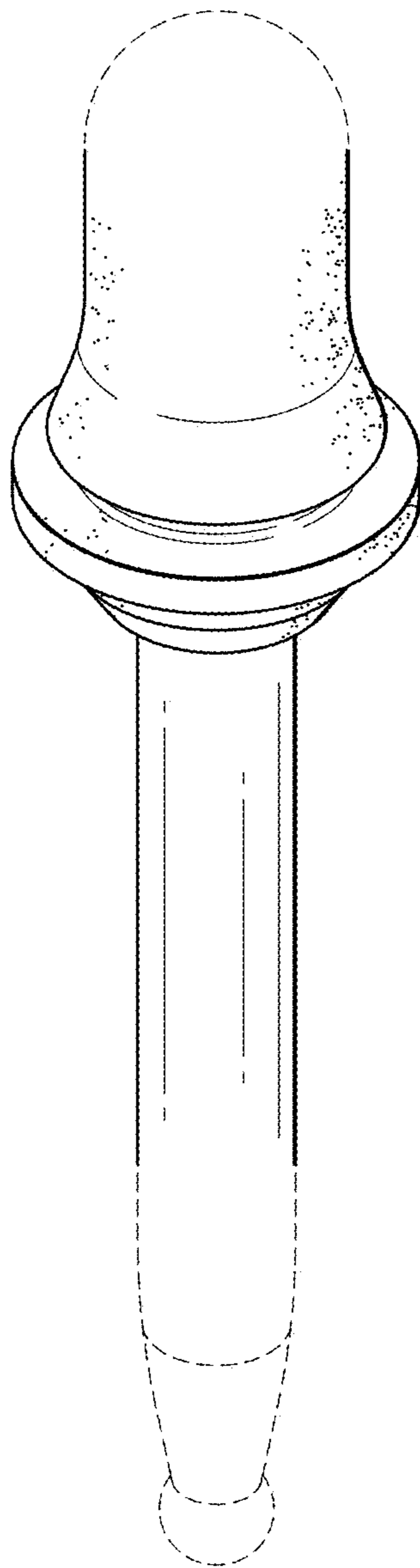


FIG. 1

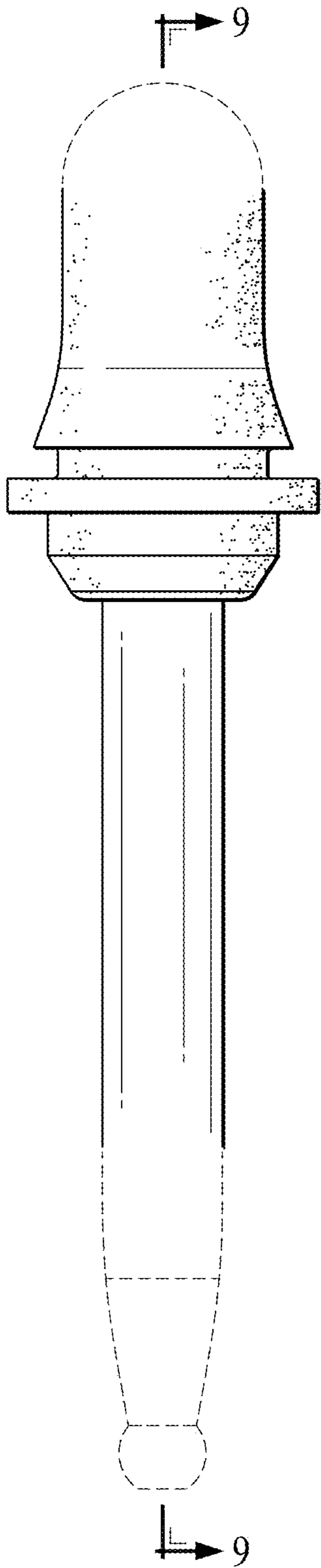


FIG. 2

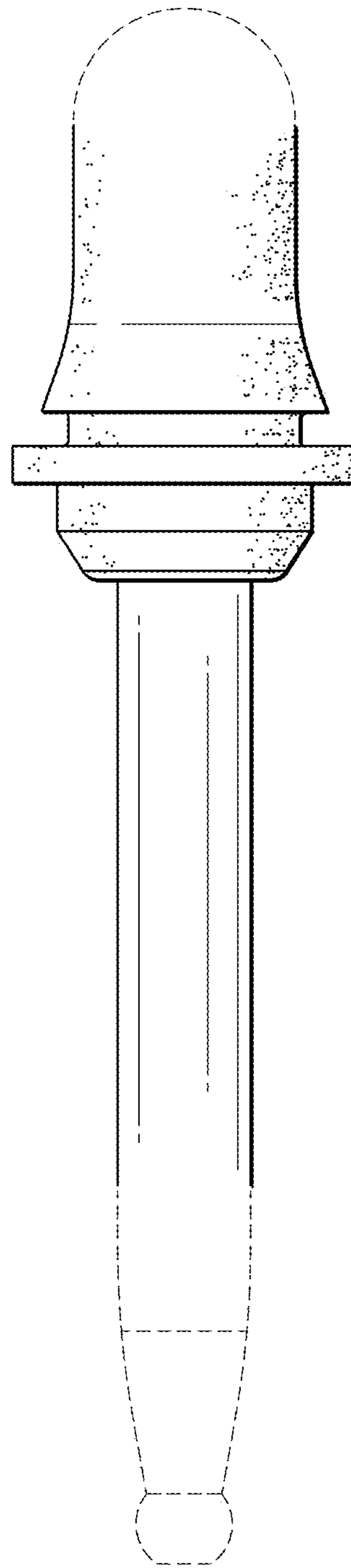


FIG. 3

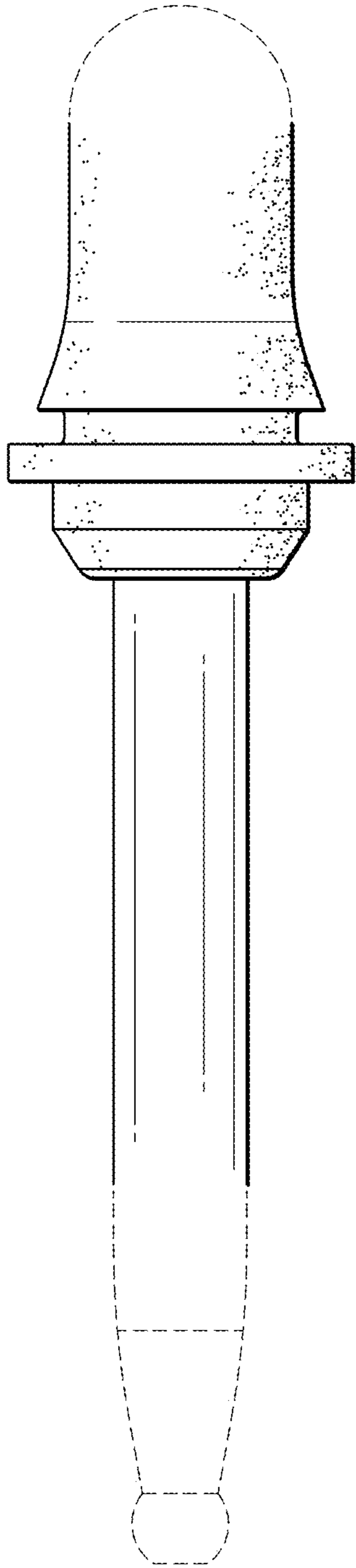


FIG. 4

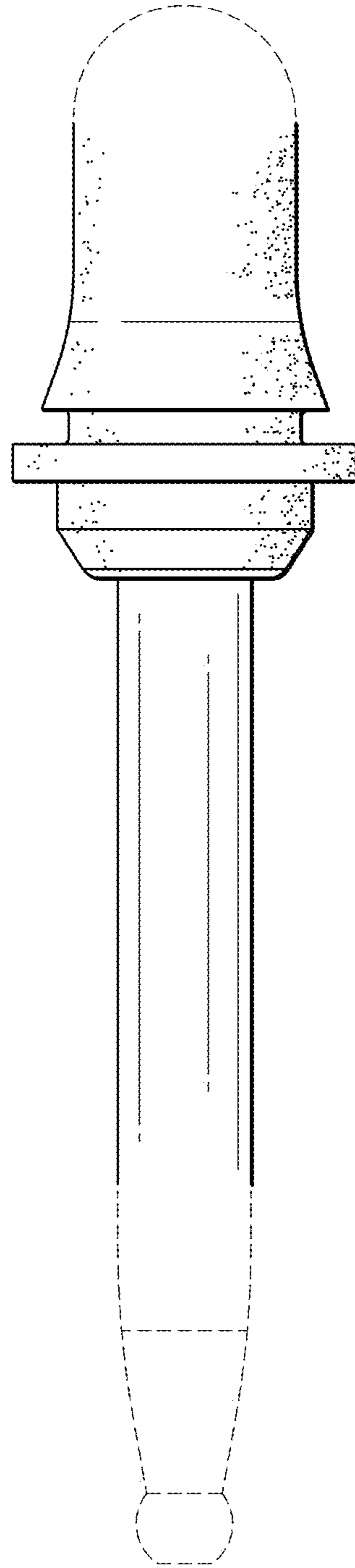


FIG. 5

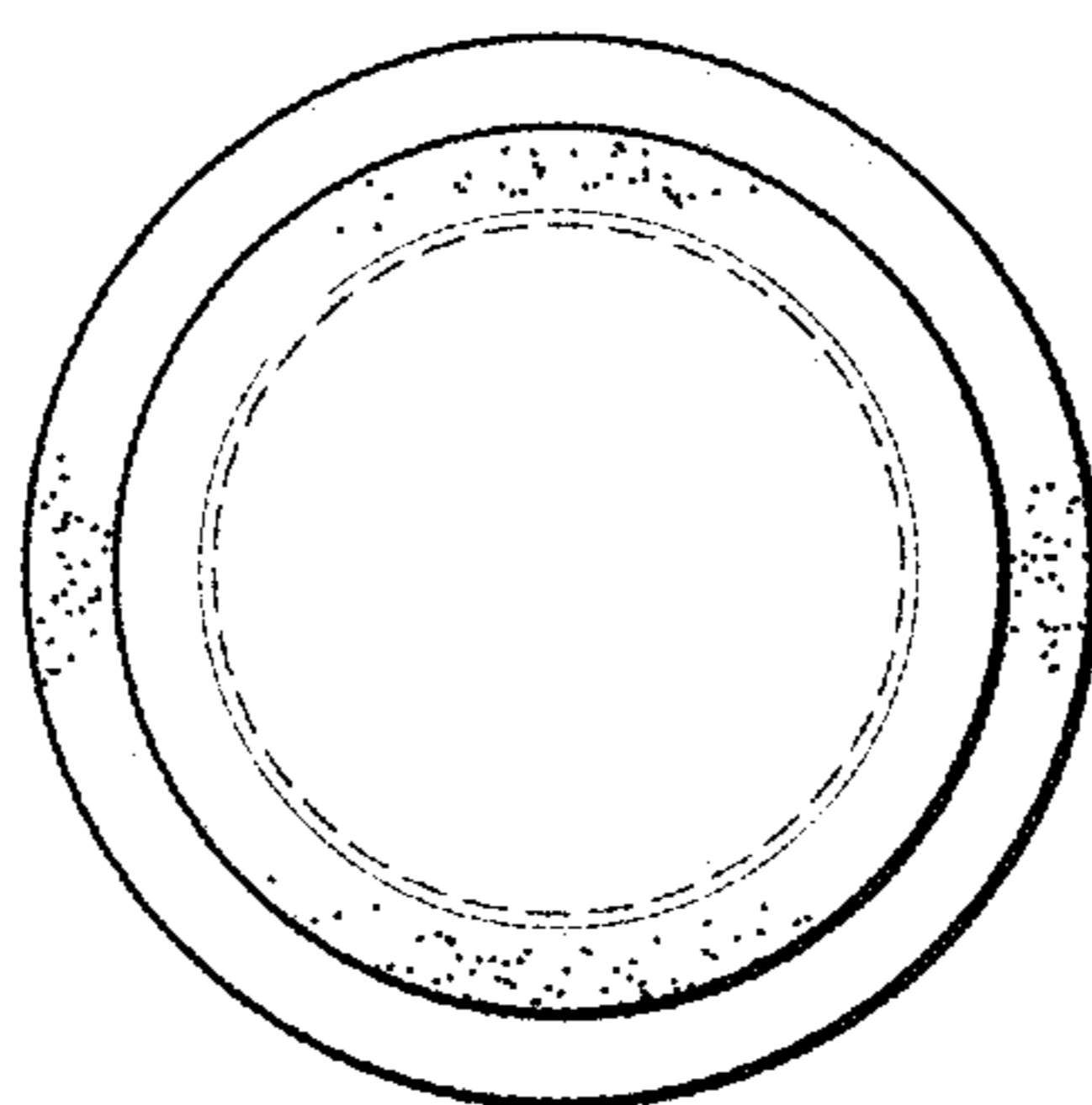


FIG. 6

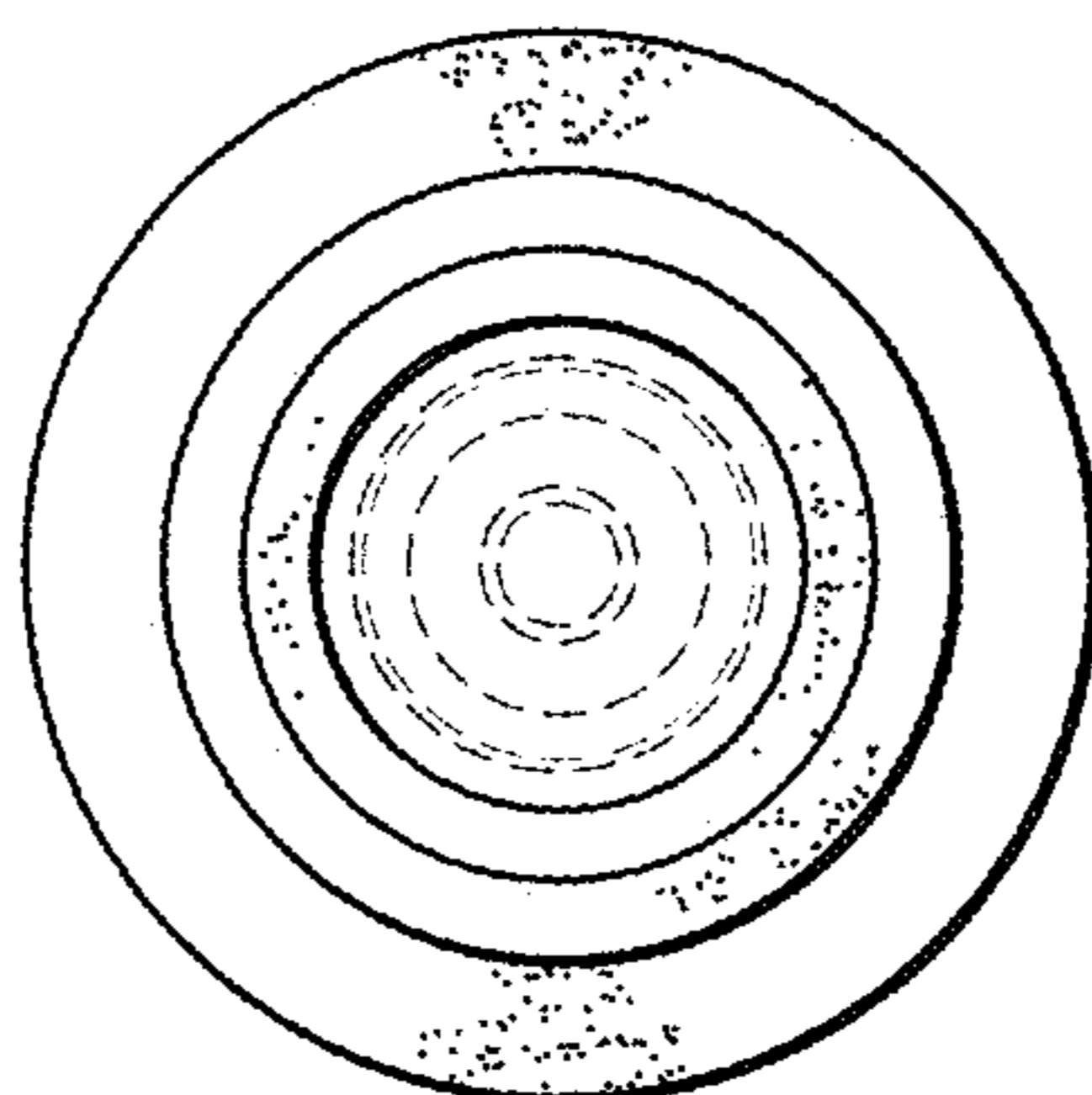


FIG. 7

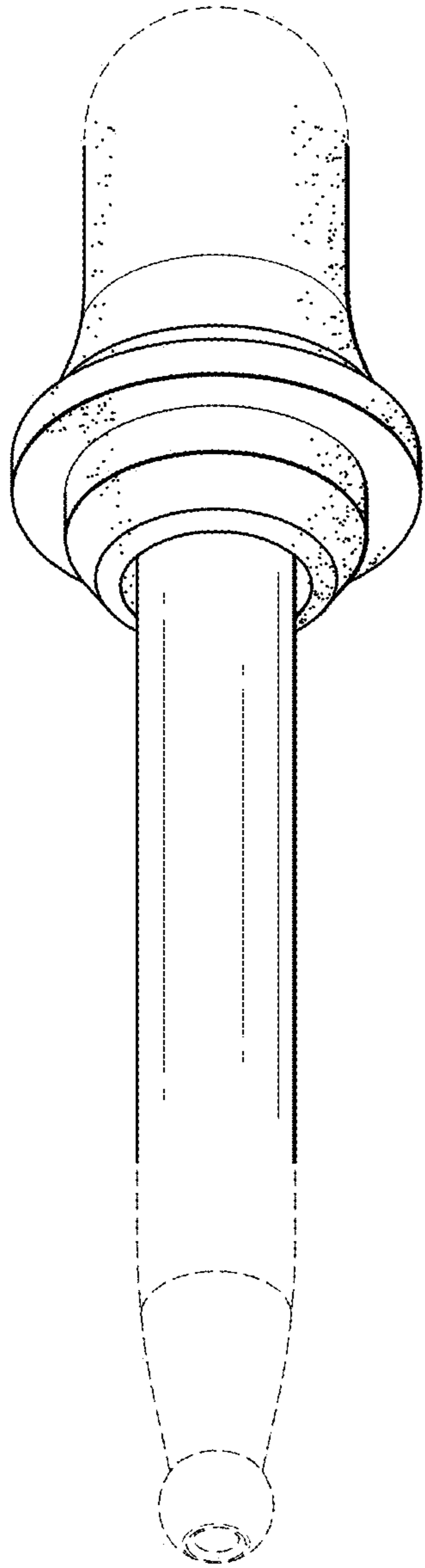


FIG. 8

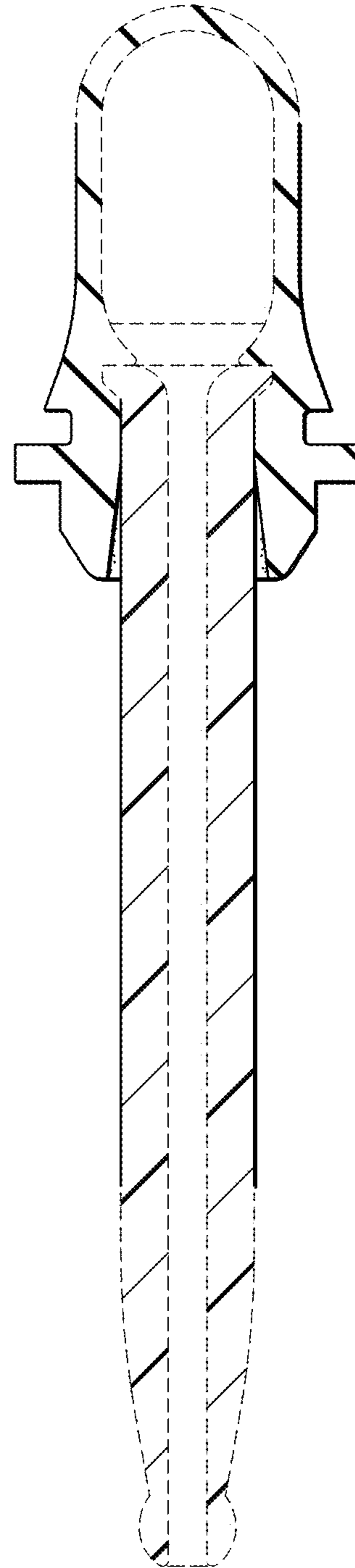


FIG. 9

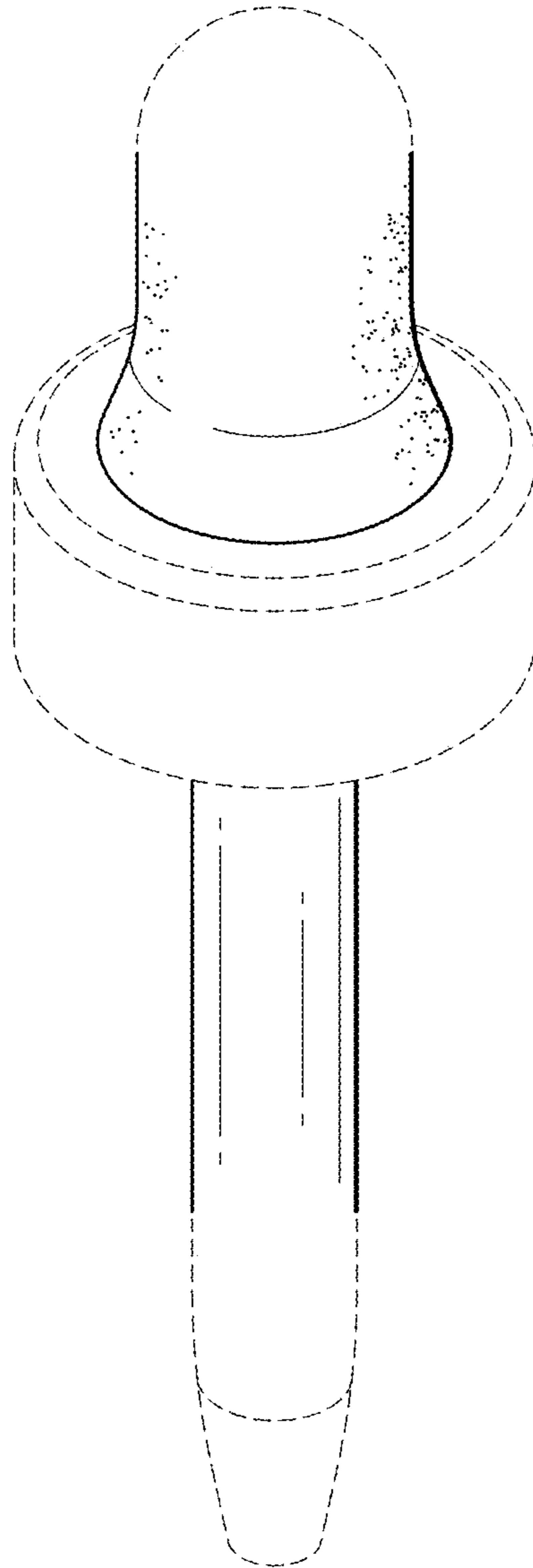


FIG. 10

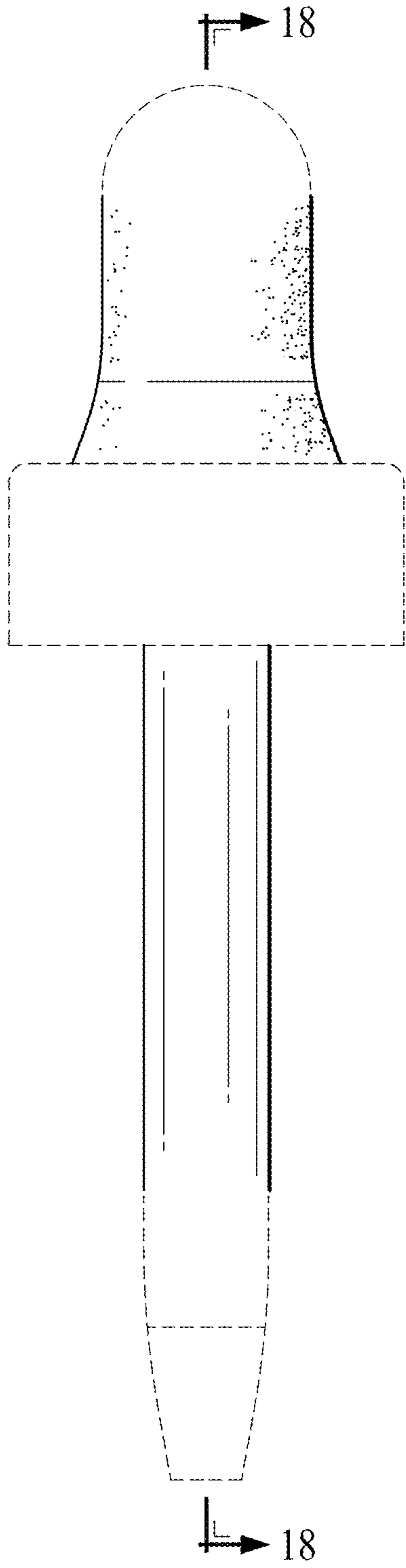


FIG. 11

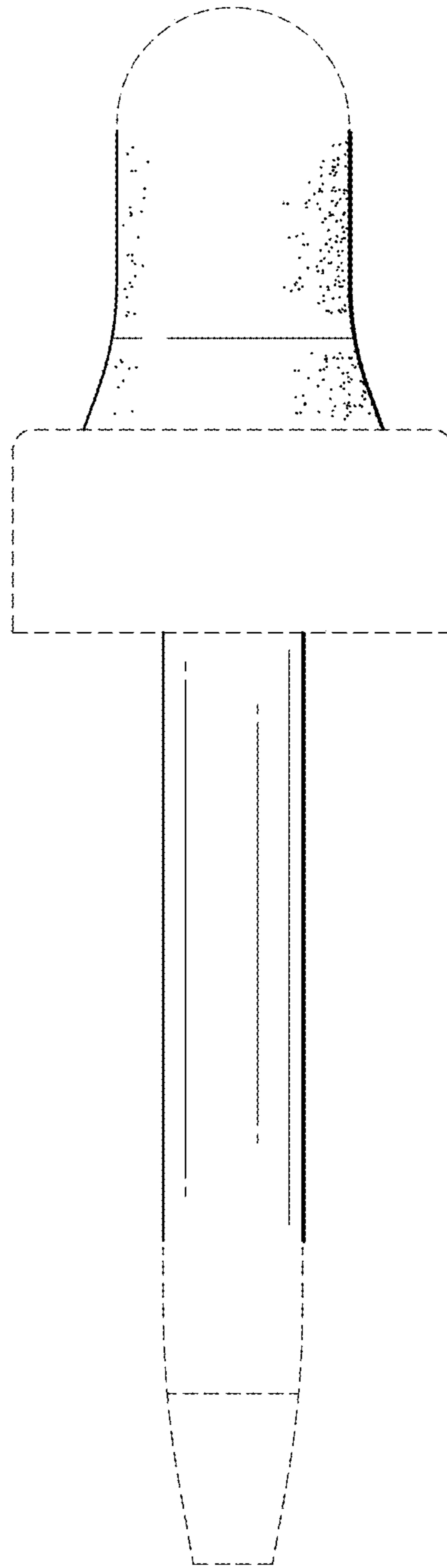


FIG. 12

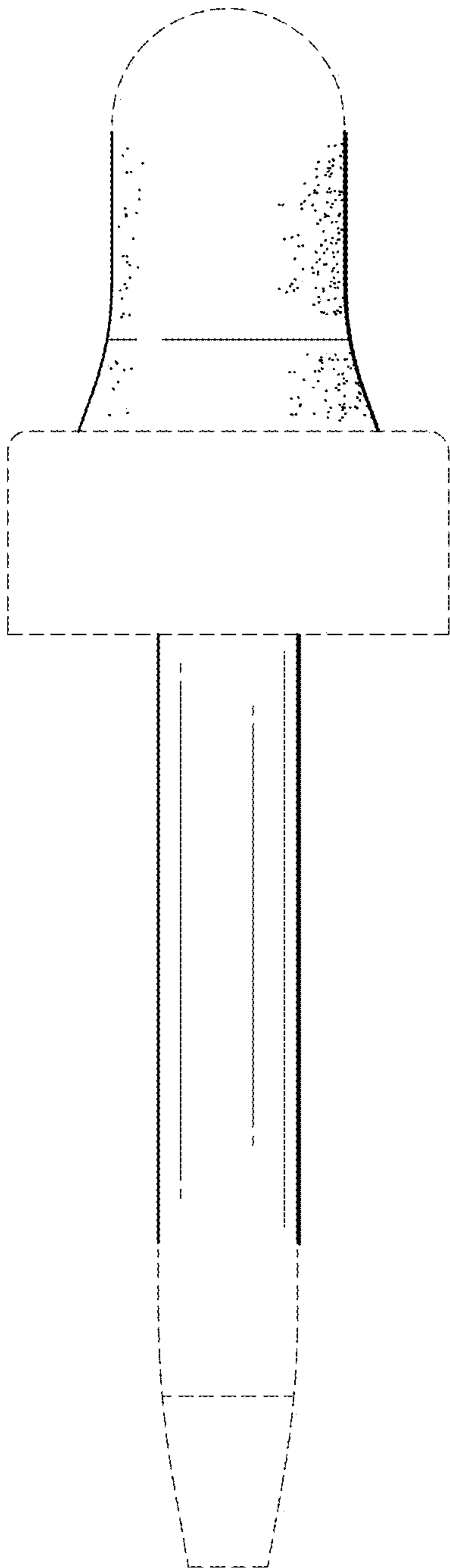


FIG. 13

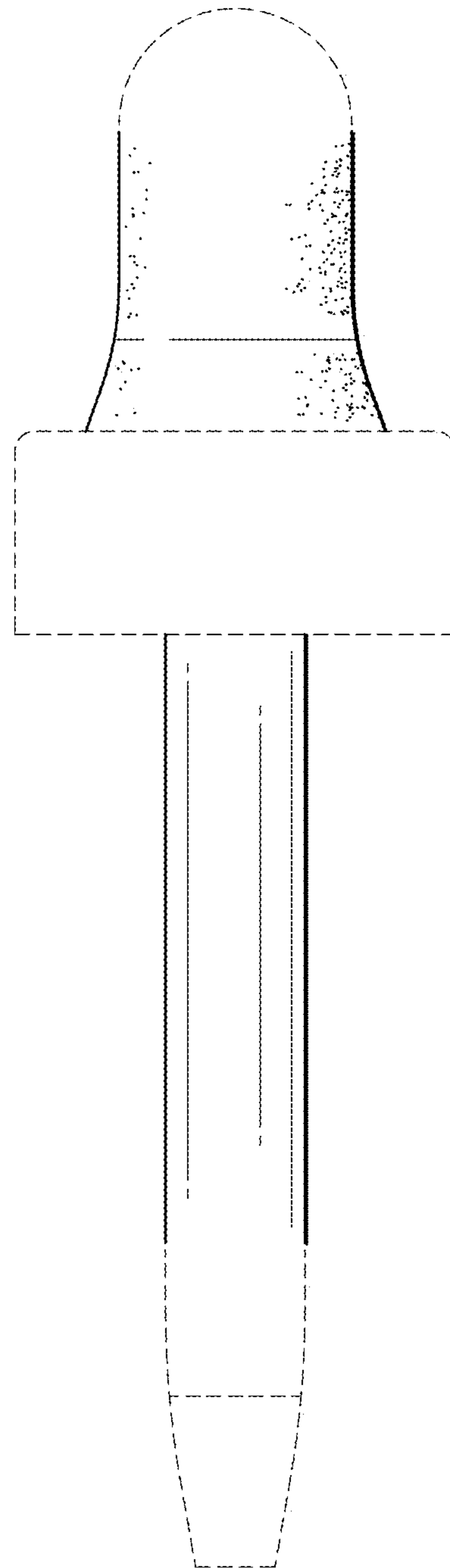


FIG. 14

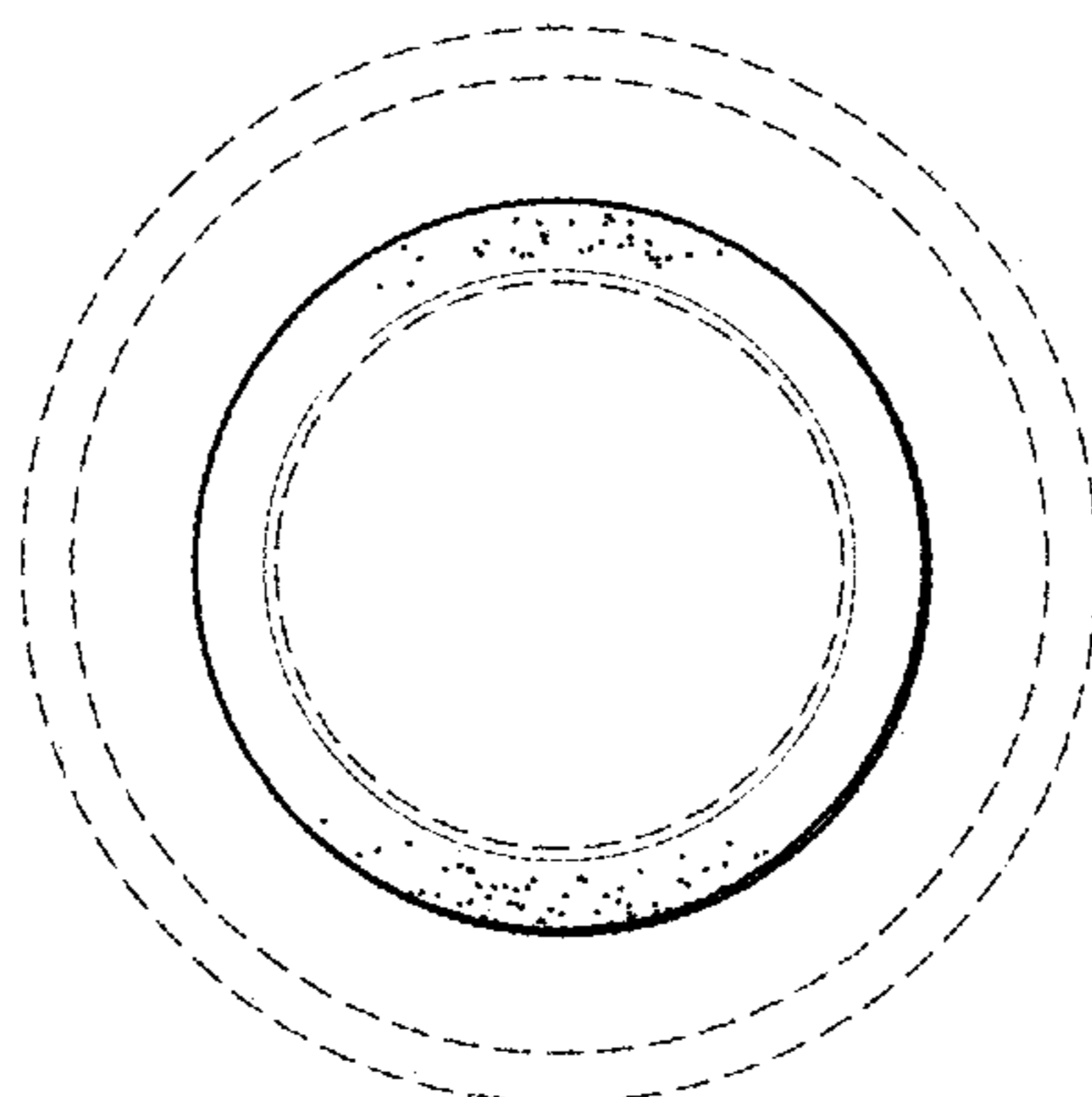


FIG. 15

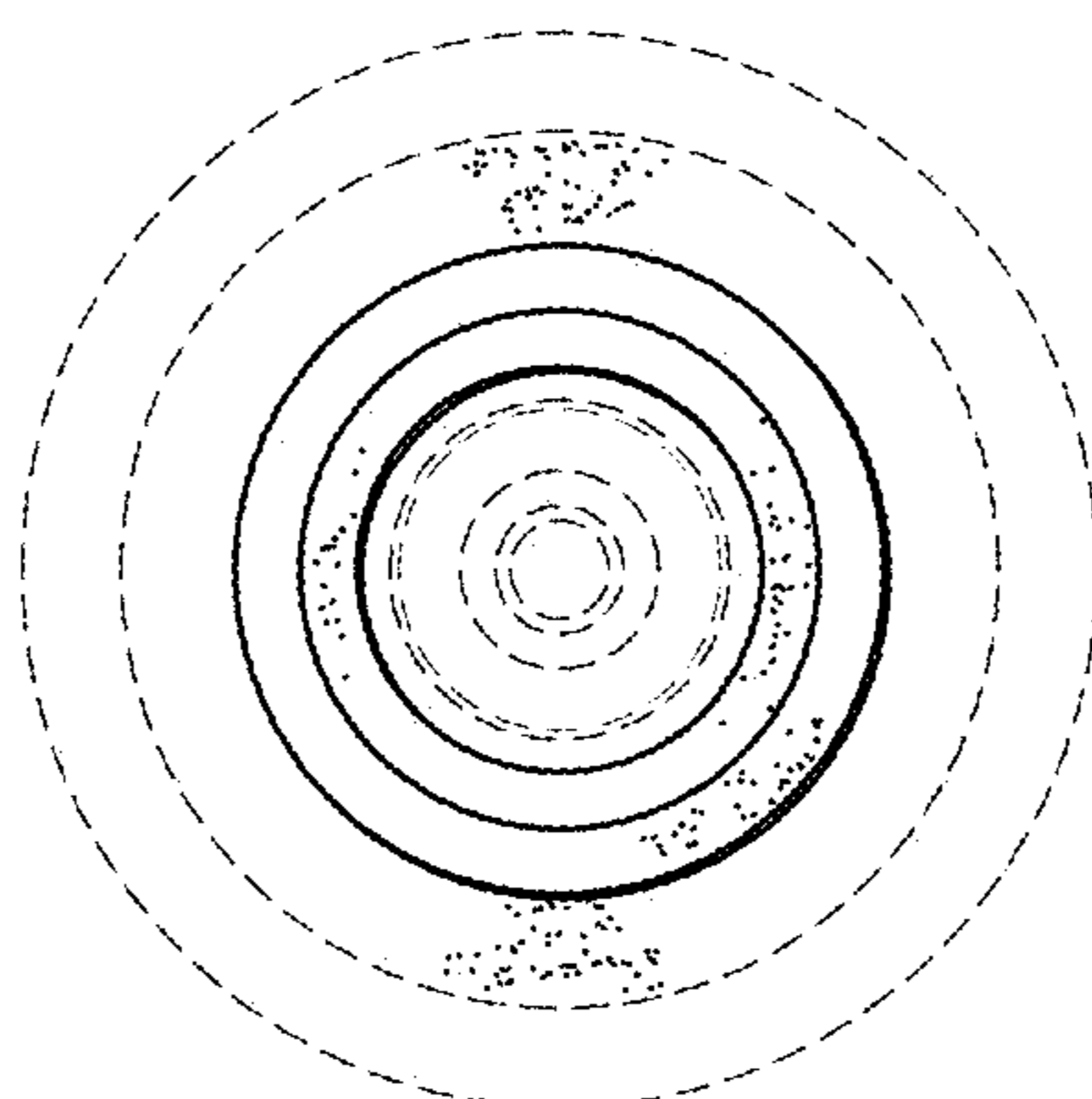


FIG. 16

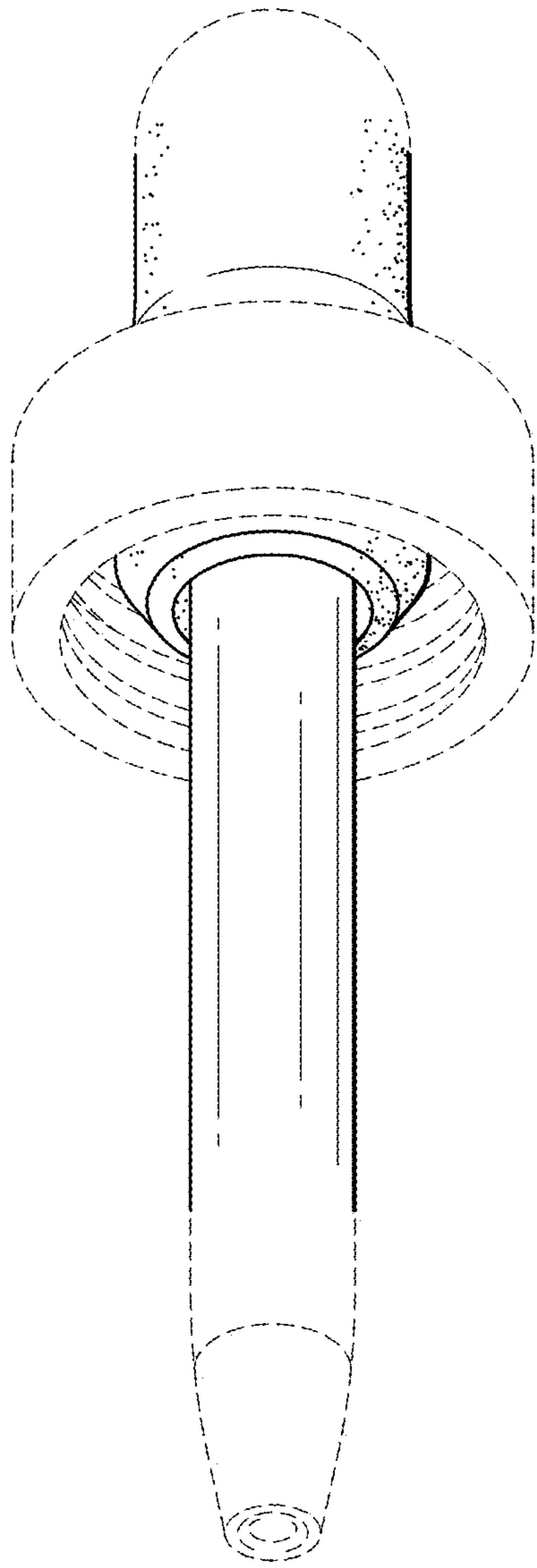


FIG. 17

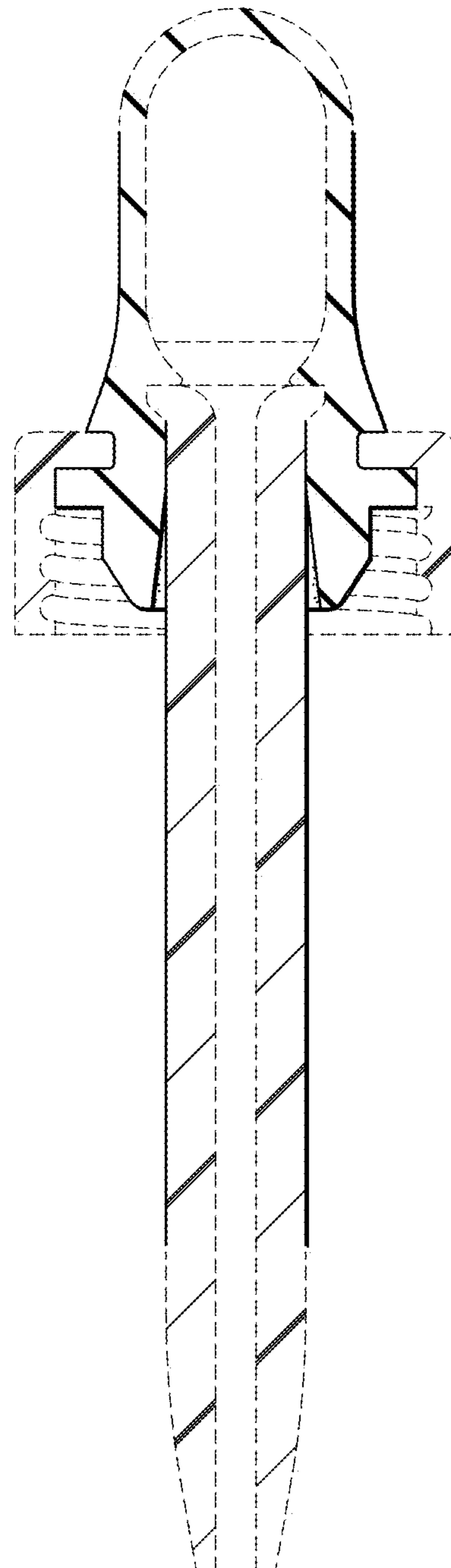


FIG. 18

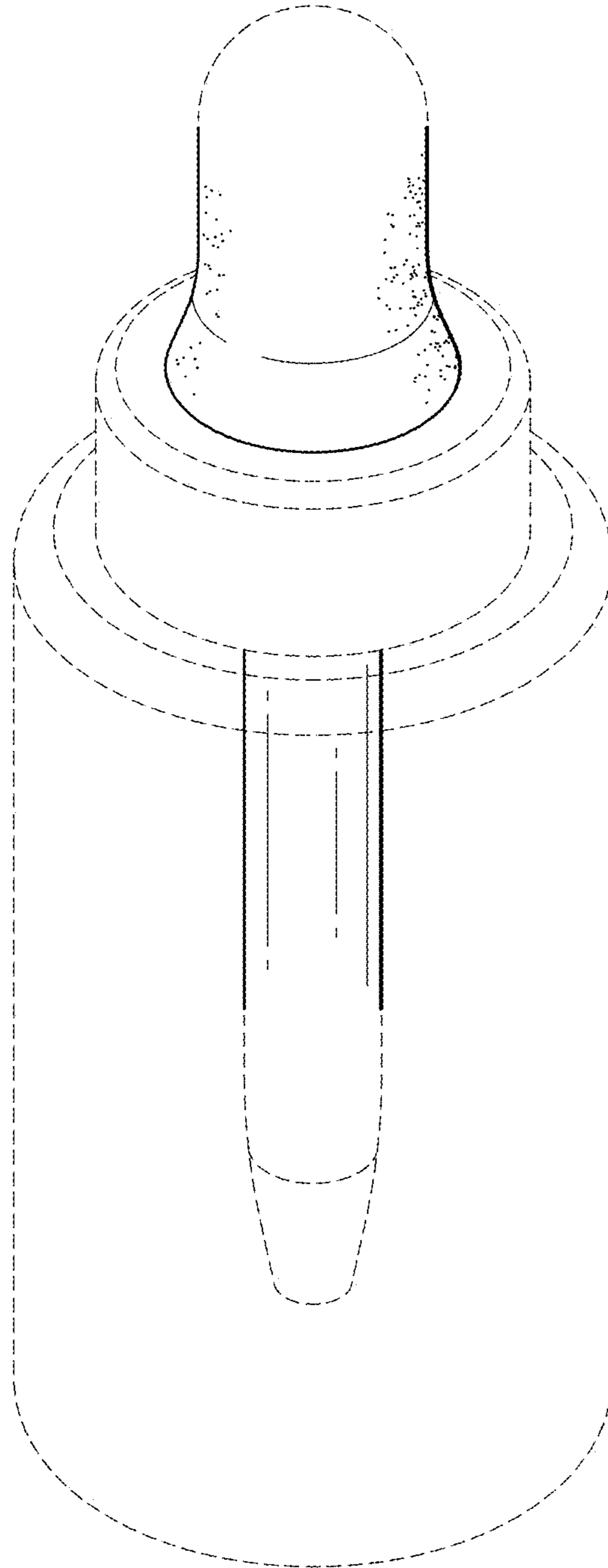


FIG. 19

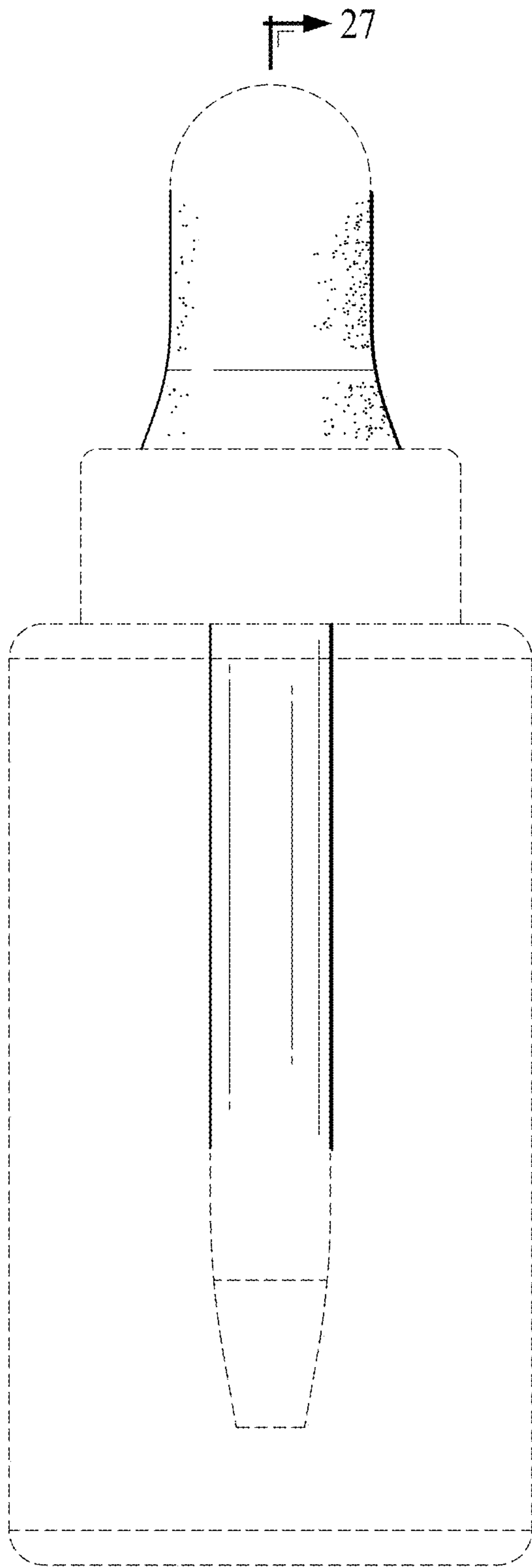


FIG. 20

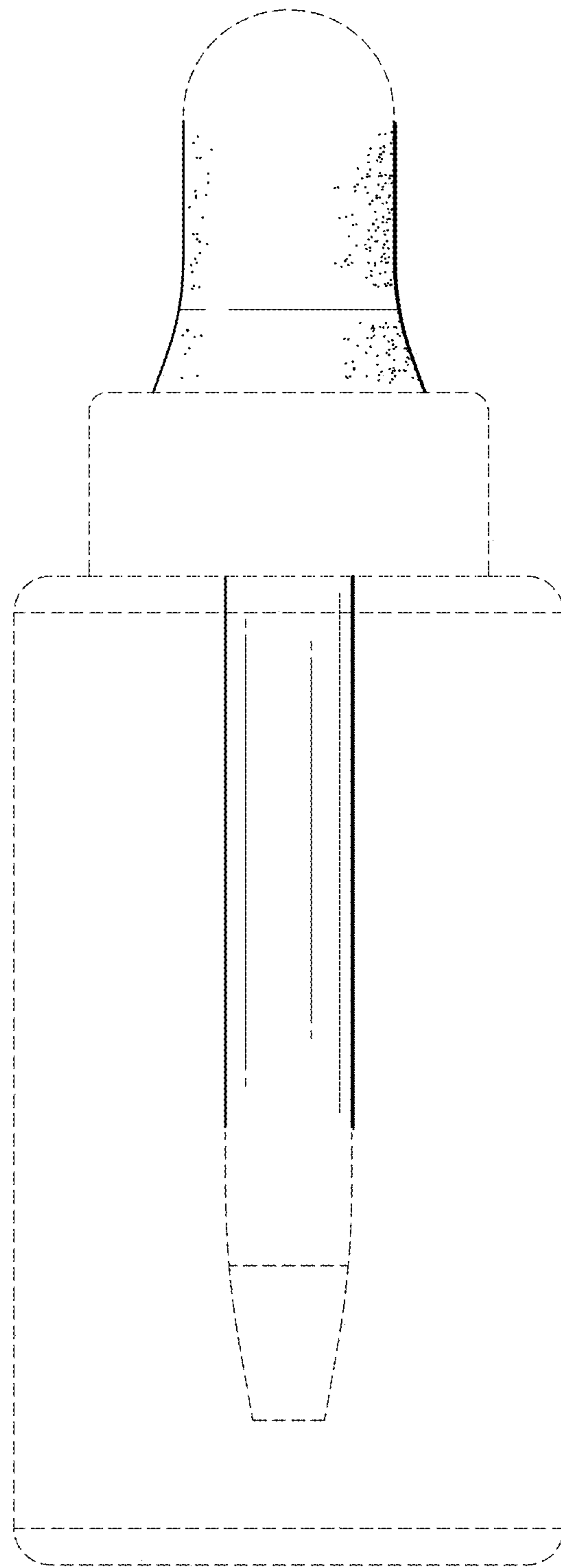


FIG. 21

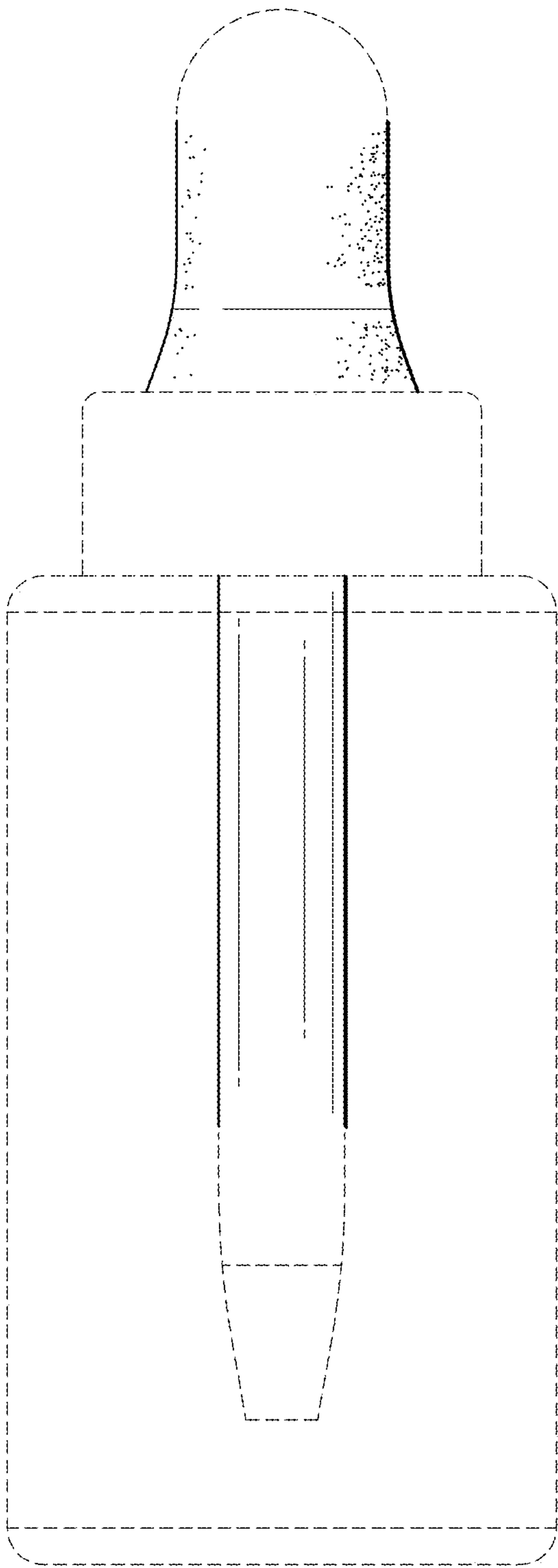


FIG. 22

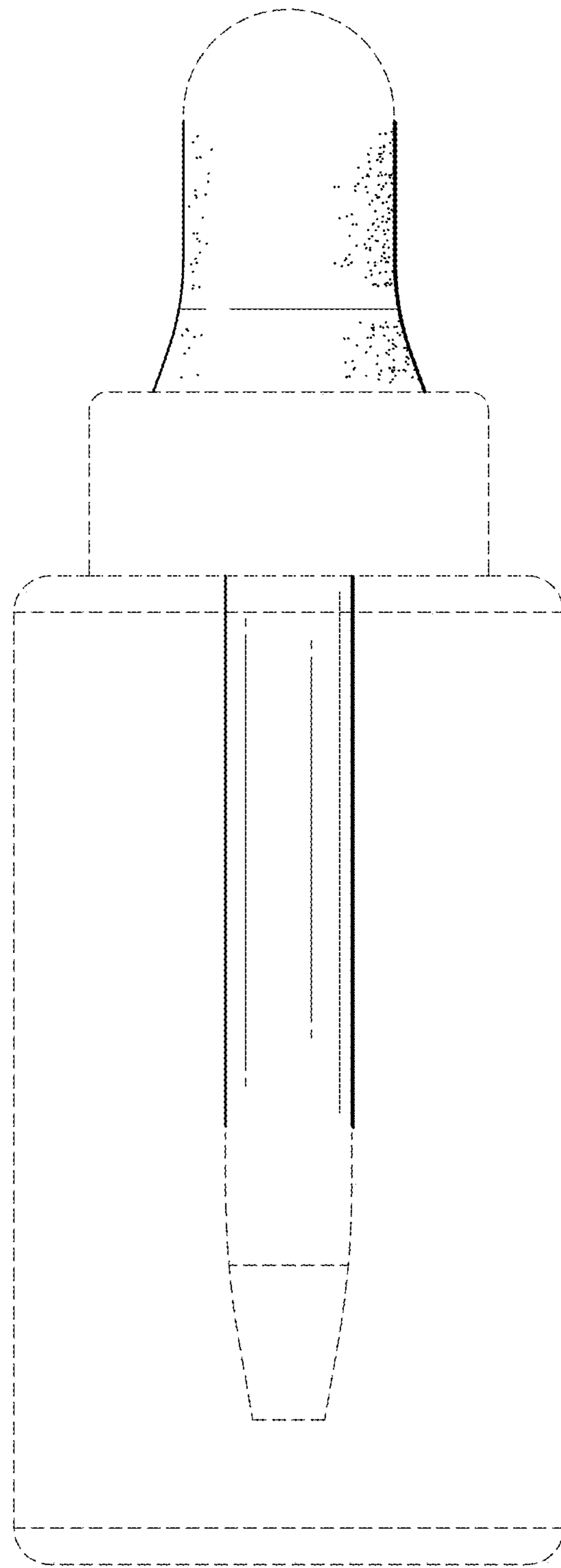


FIG. 23

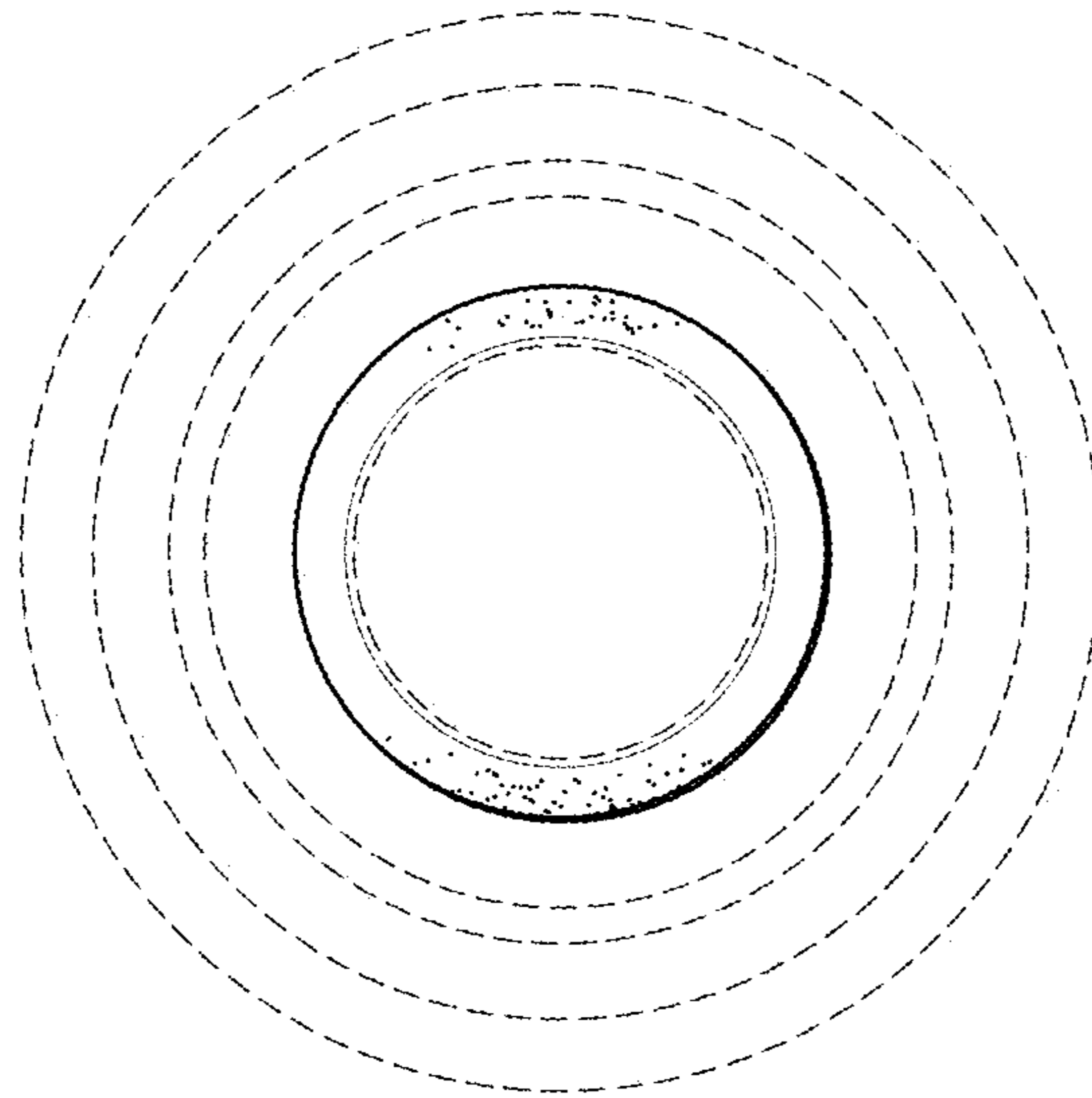


FIG. 24

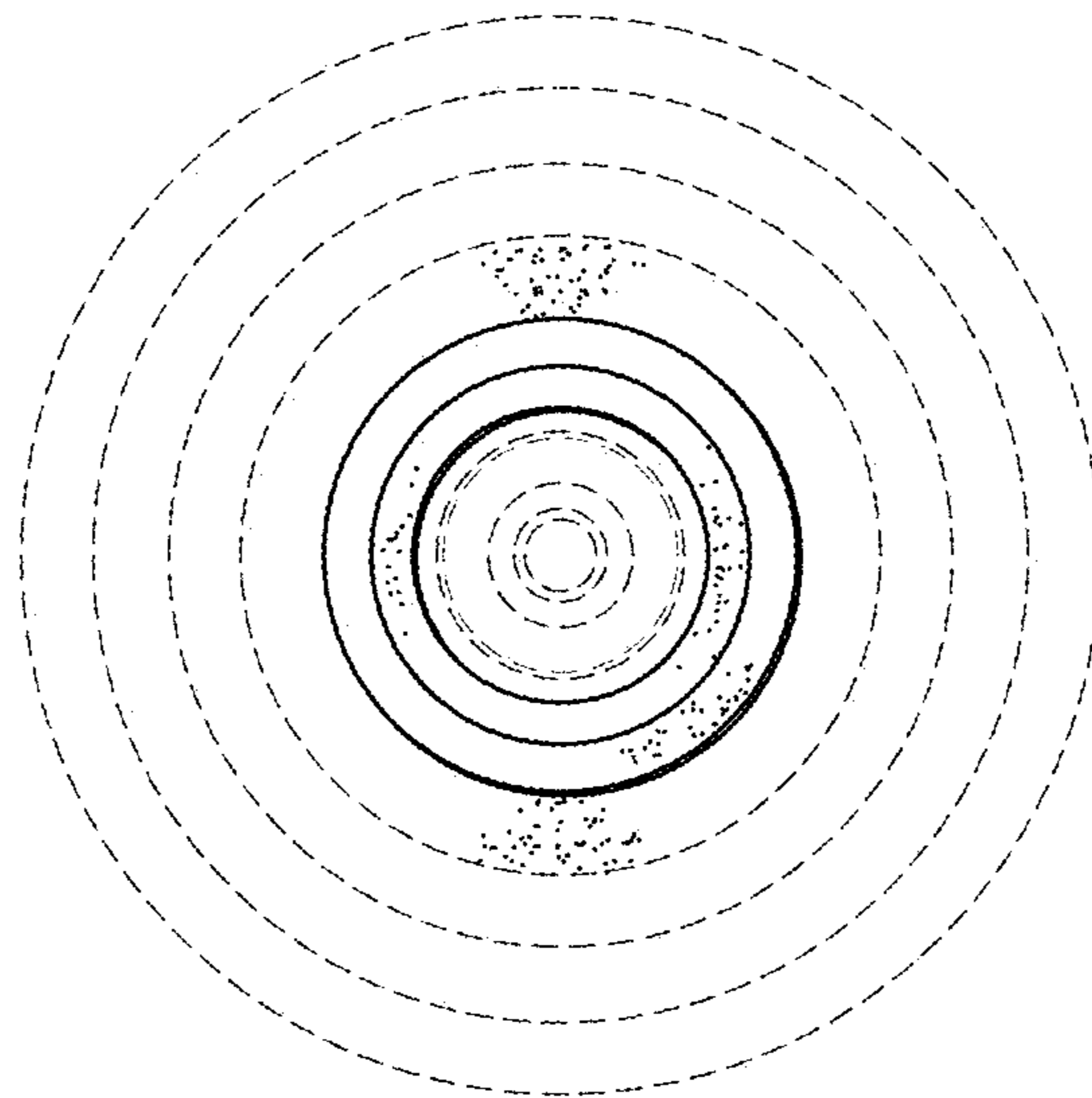


FIG. 25

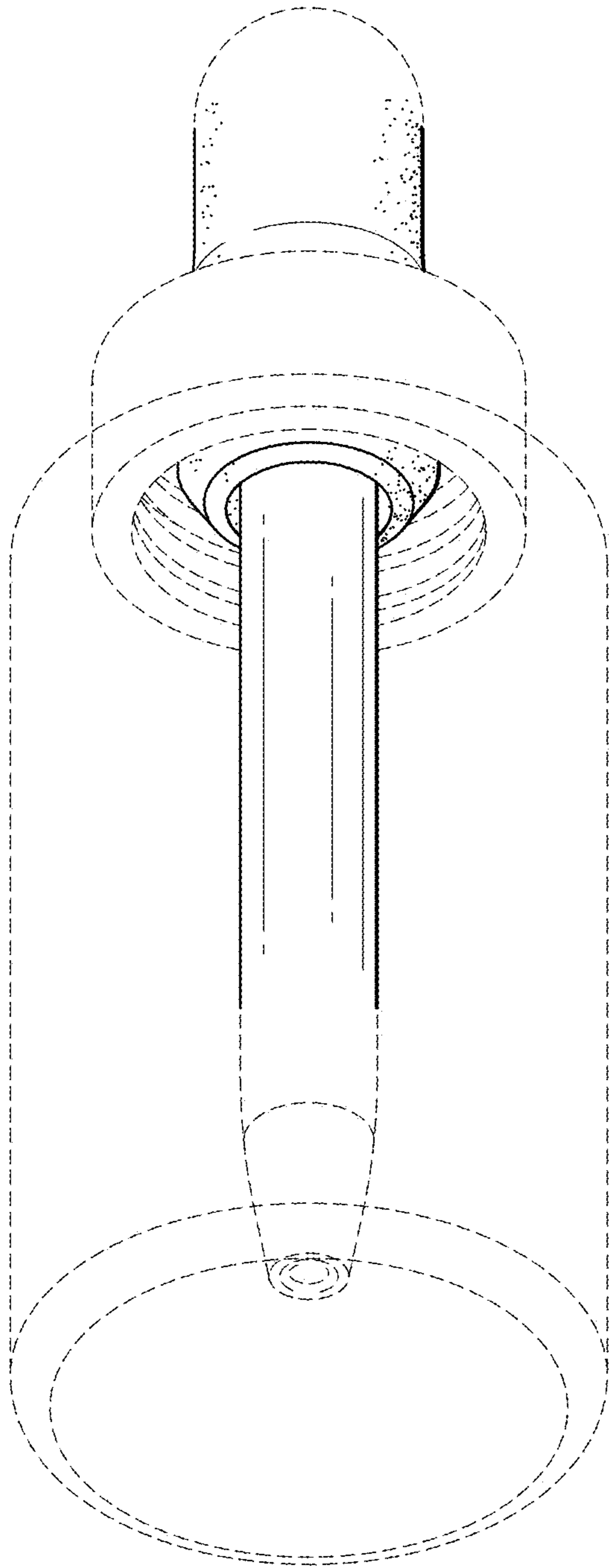


FIG. 26

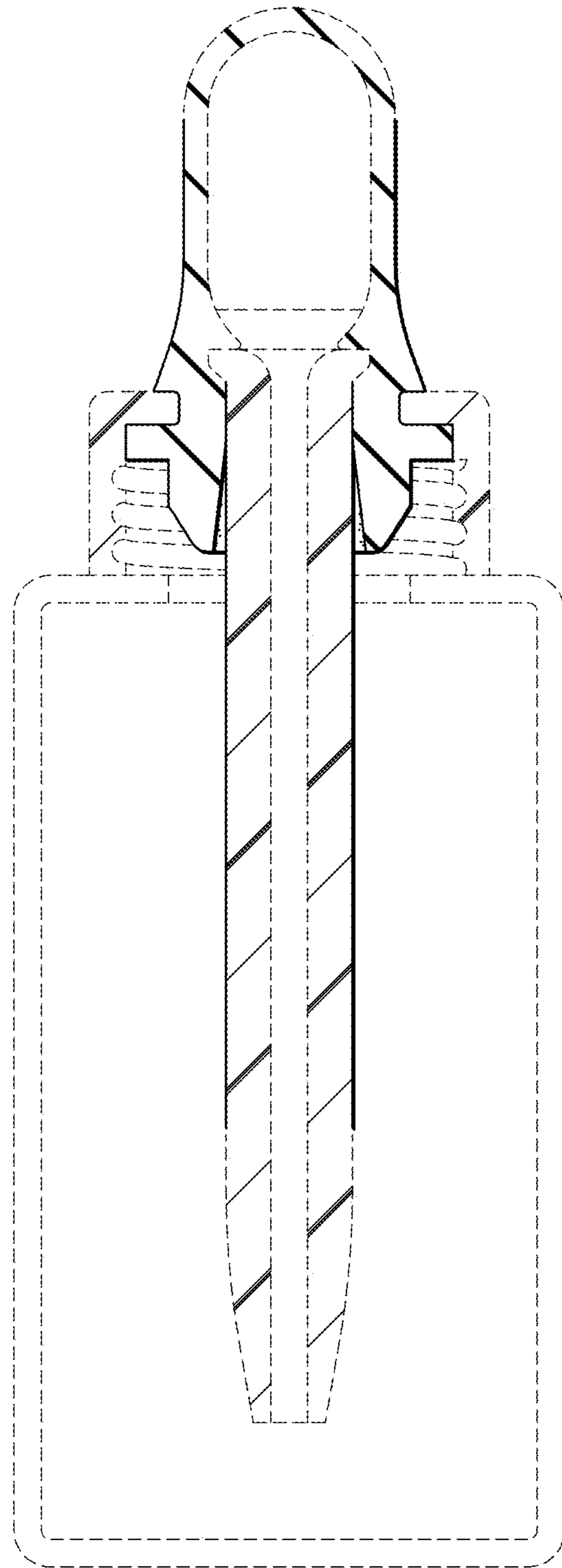


FIG. 27

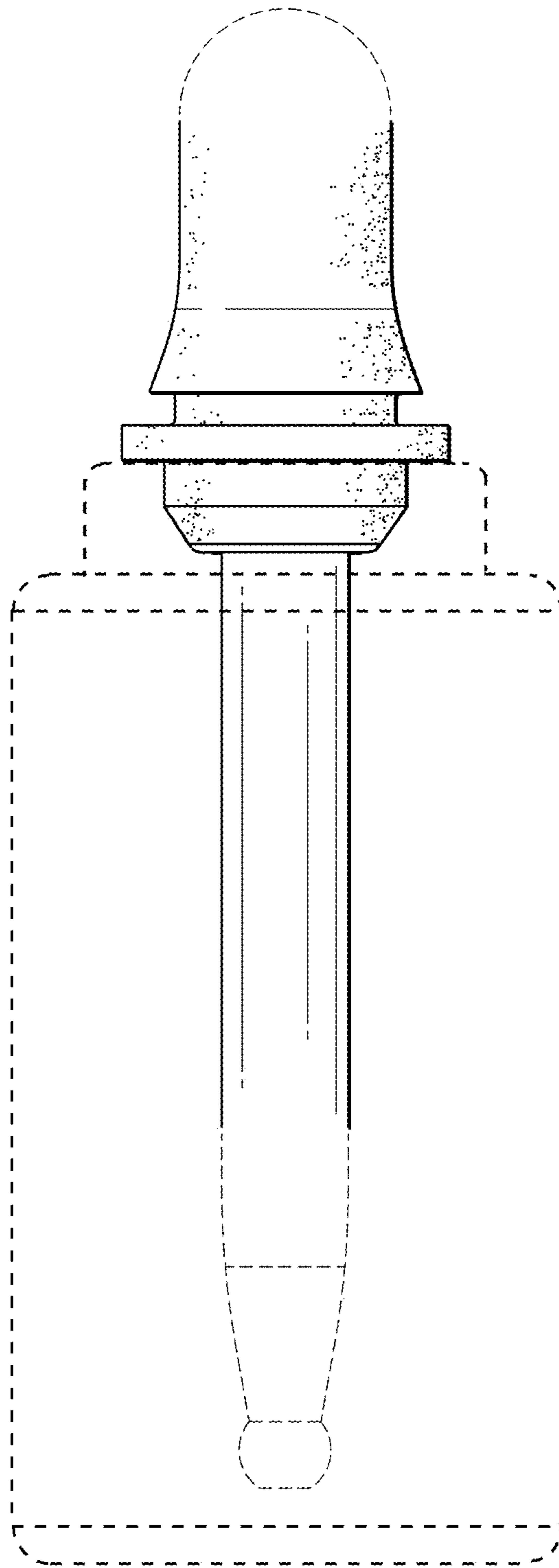


FIG. 28