



US00D905849S

(12) **United States Design Patent** (10) **Patent No.:** **US D905,849 S**
Boyaval et al. (45) **Date of Patent:** **** Dec. 22, 2020**

(54) **ON-BODY INJECTOR**
(71) Applicant: **AMGEN INC.**, Thousand Oaks, CA (US)
(72) Inventors: **Margaux Frances Boyaval**, Newbury Park, CA (US); **Sigrid Moeslinger**, New York, NY (US); **Lisa Nugent**, Malibu, CA (US); **Brian Stonecipher**, Newbury Park, CA (US); **Masamichi Udagawa**, New York, NY (US)
(73) Assignee: **AMGEN INC.**, Thousand Oaks, CA (US)
(**) Term: **15 Years**

8,105,279 B2 1/2012 Mernoe et al.
D684,686 S 6/2013 Cronenberg
D685,083 S 6/2013 Schneider et al.
D685,084 S 6/2013 Guarraia et al.
D687,140 S 7/2013 Guarraia et al.
D687,141 S 7/2013 Schneider et al.

(Continued)

Primary Examiner — David G Muller
(74) *Attorney, Agent, or Firm* — Marshall, Gerstein & Borun LLP

(21) Appl. No.: **29/670,165**
(22) Filed: **Nov. 14, 2018**

Related U.S. Application Data

(62) Division of application No. 29/578,427, filed on Sep. 21, 2016, now Pat. No. Des. 838,359.
(51) **LOC (12) Cl.** **24-02**
(52) **U.S. Cl.**
USPC **D24/112**
(58) **Field of Classification Search**
USPC D24/112-114, 108, 133, 130, 127, 186;
606/181, 185; 604/264, 272, 187, 181,
604/184, 227
CPC A61M 5/178; A61M 3/00; A61M 5/20;
A61M 5/31; A61M 5/3146; A61M
5/3129; A61M 5/3148; A61M 5/315
See application file for complete search history.

(57) **CLAIM**

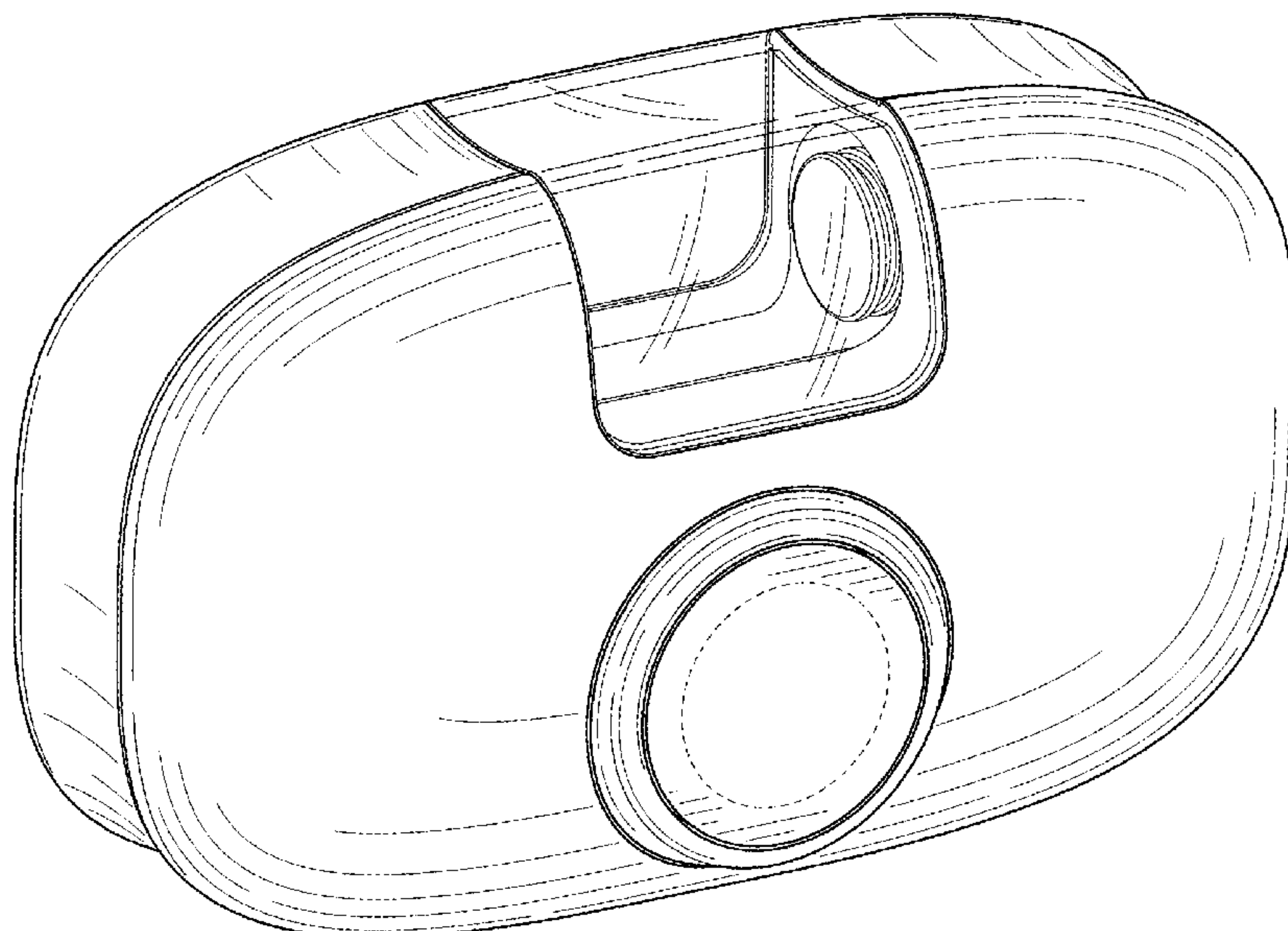
The ornamental design for an on-body injector, as shown and described.

DESCRIPTION

FIG. 1 is a perspective view of a new design for an on-body injector having a light source shown in a powered off state; FIG. 2 is a front view of the on-body injector of FIG. 1; FIG. 3 is a rear view of the on-body injector of FIG. 1; FIG. 4 is a right-side view of the on-body injector of FIG. 1; FIG. 5 is a left-side view of the on-body injector of FIG. 1; FIG. 6 is a top view of the on-body injector of FIG. 1; FIG. 7 is a bottom view of the on-body injector of FIG. 1; and, FIG. 8 is a perspective view of the on-body injector of FIGS. 1-7 showing the light source in a powered on state. The dashed lines are included for the purpose of illustrating environment and form no part of the claimed design. The stippling shown is included for the purpose of illustrating portions of the claimed design having a visual appearance (e.g., color, texture, glow, etc.) different from the immediately adjacent portions of the claimed design. The radiating lines are included for the purpose of illustrating a feature of the claimed design in an illuminated state, and form no part of the claimed design.

(56) **References Cited**
U.S. PATENT DOCUMENTS
D622,393 S 8/2010 Gatrall et al.
D650,070 S 12/2011 Mori

1 Claim, 5 Drawing Sheets



(56)

References Cited

U.S. PATENT DOCUMENTS

D687,536	S	8/2013	Guarraia et al.	
D688,784	S	8/2013	Schneider et al.	
D693,455	S	11/2013	Alchas et al.	
D695,394	S	12/2013	Takemoto et al.	
D776,253	S	1/2017	Li	
D876,618	S *	2/2020	Nazzaro	D24/111
D878,557	S *	3/2020	Farris	D24/113
D878,559	S *	3/2020	Stonecipher	D24/113
D886,045	S *	6/2020	Deng	D13/103
2009/0093792	A1 *	4/2009	Gross	A61M 5/1456 604/518
2010/0168683	A1 *	7/2010	Cabiri	A61M 5/14248 604/263
2011/0066131	A1 *	3/2011	Cabiri	A61M 5/14248 604/411
2012/0296311	A1 *	11/2012	Brauker	A61M 5/31525 604/504
2013/0066274	A1 *	3/2013	O'Connor	A61M 5/16877 604/151
2015/0057613	A1 *	2/2015	Clemente	A61M 39/10 604/148
2015/0080799	A1 *	3/2015	Schneider	A61M 5/14248 604/151
2015/0306307	A1 *	10/2015	Cole	A61M 5/158 604/508
2016/0158436	A1 *	6/2016	Yang	F04B 53/144 604/113

* cited by examiner

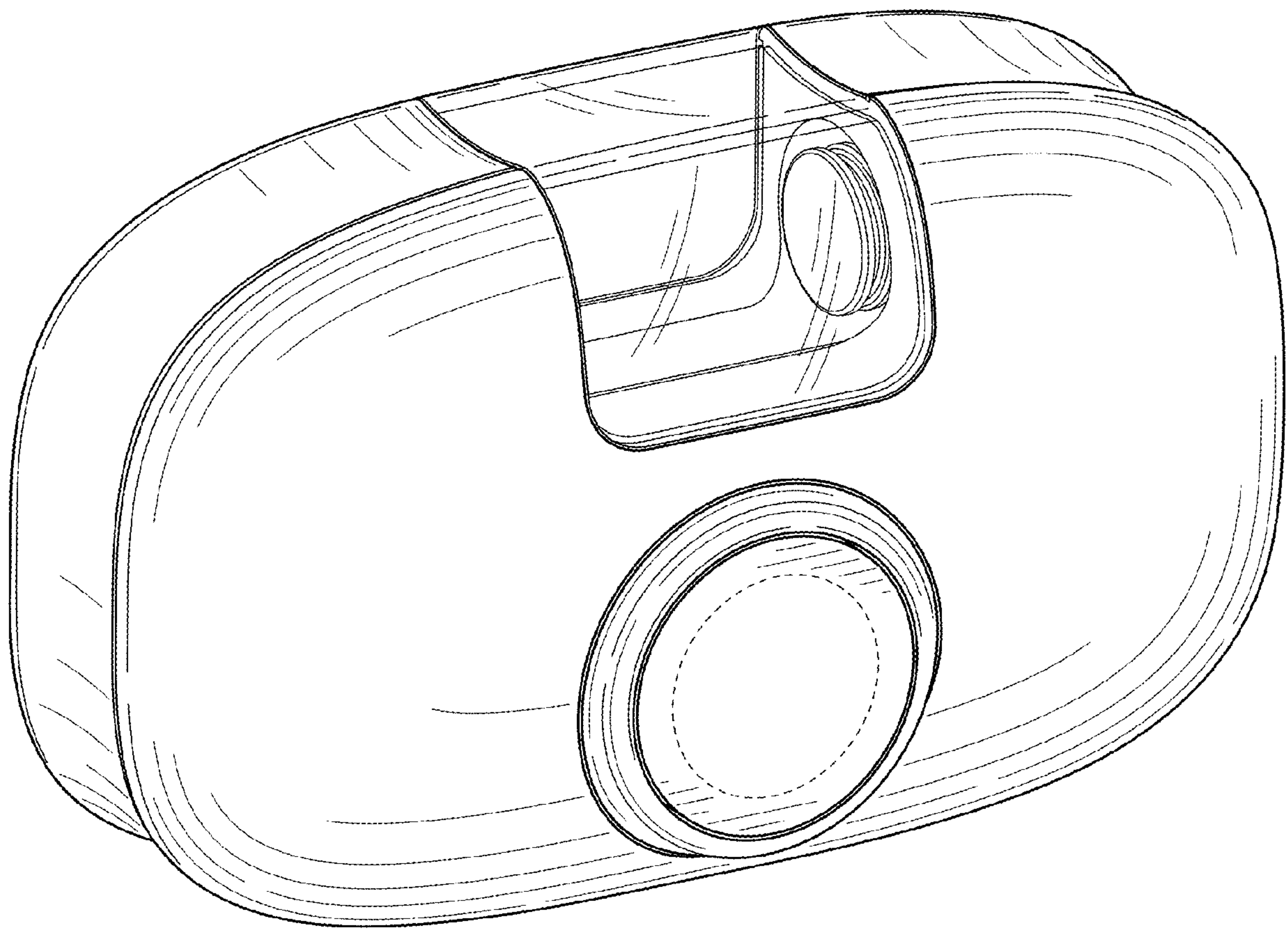


FIG. 1

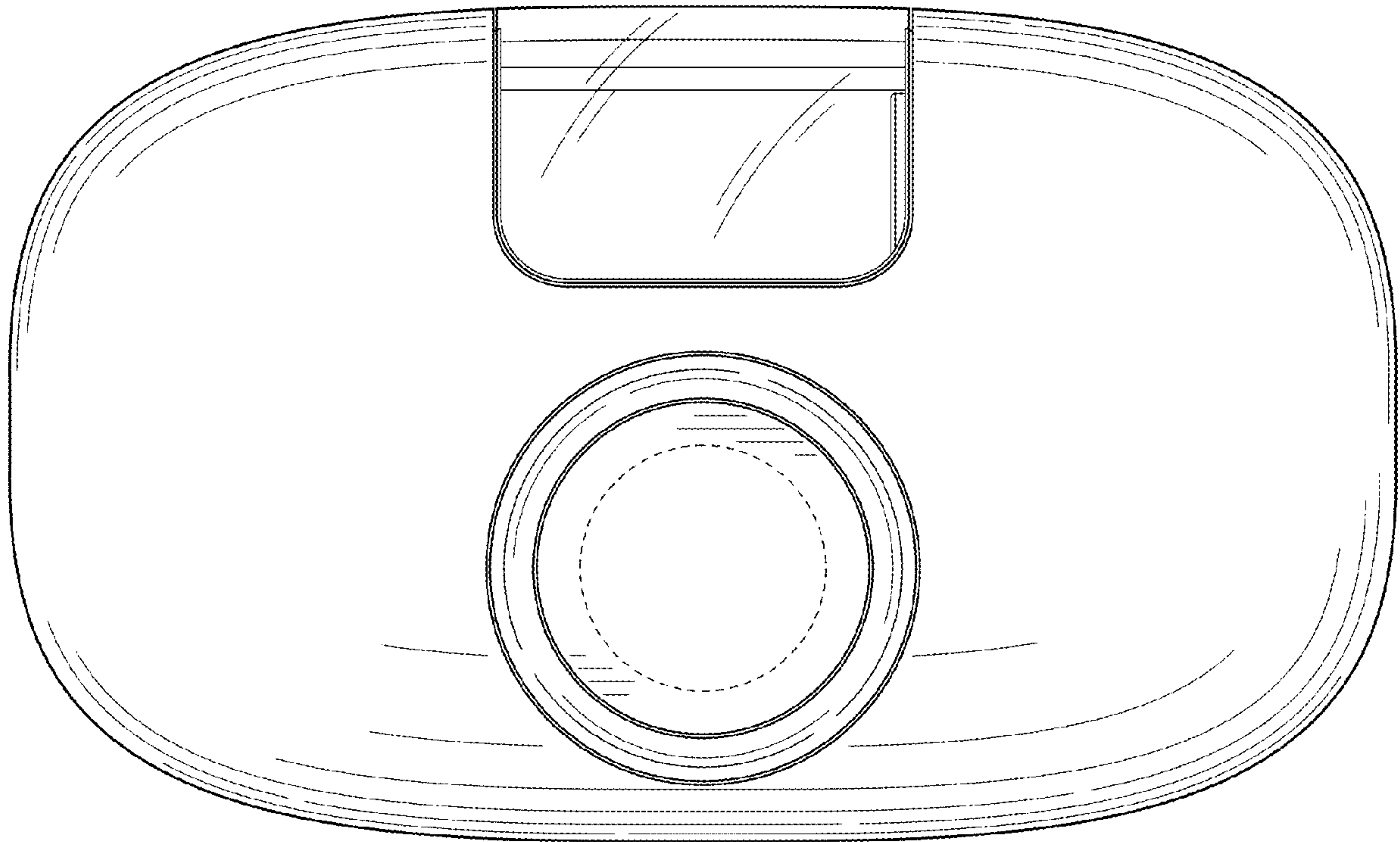


FIG. 2

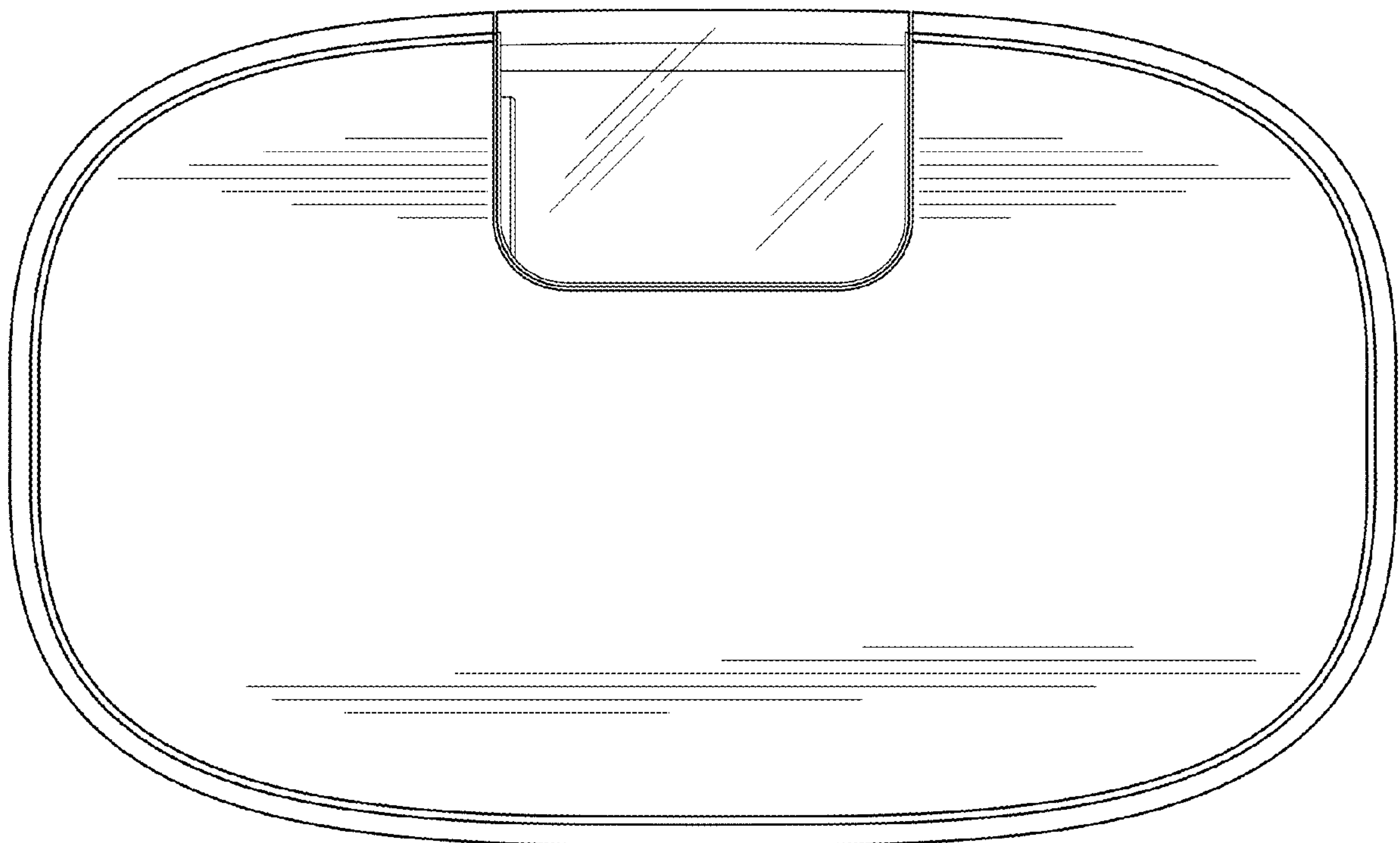


FIG. 3

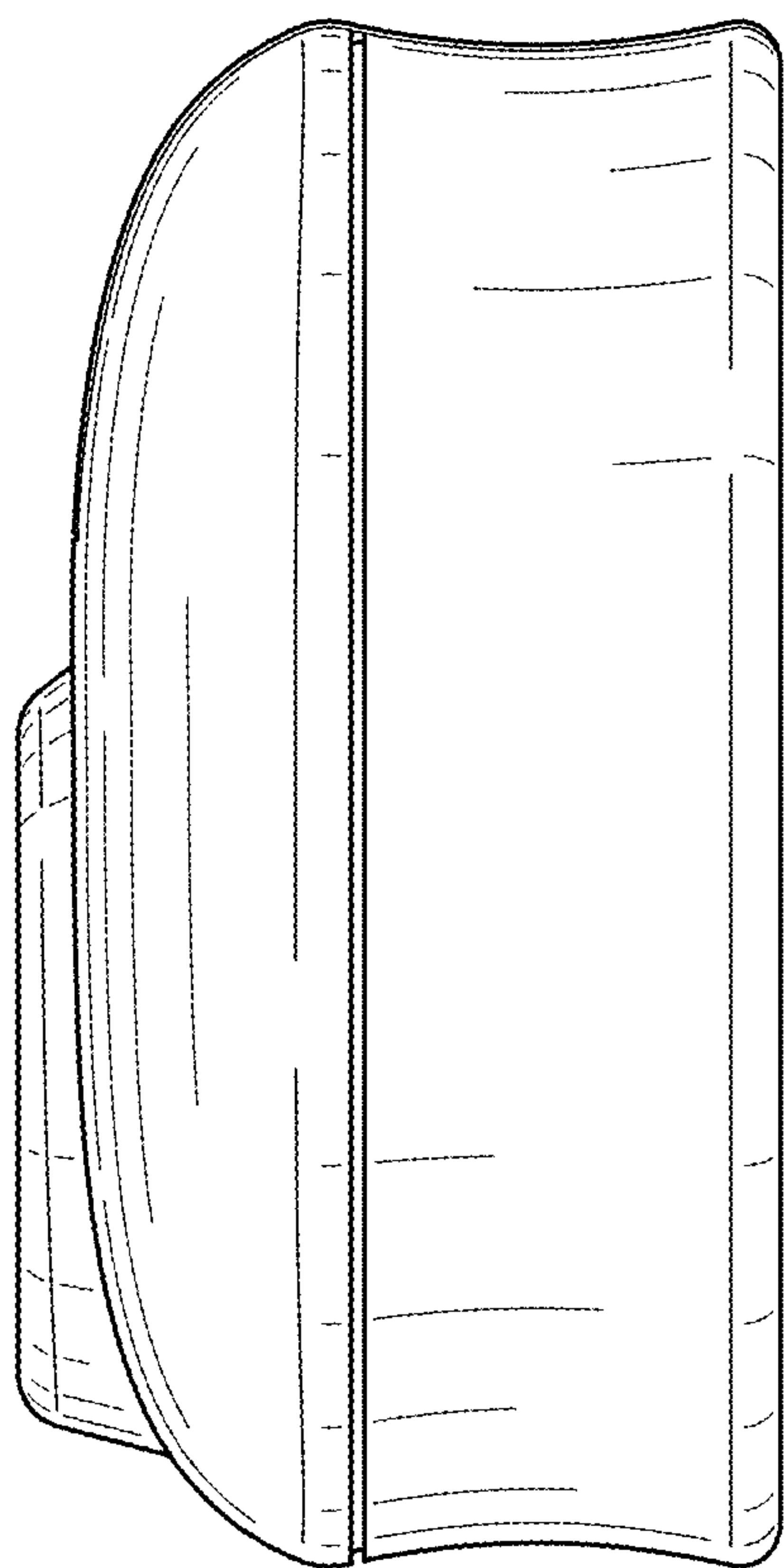


FIG. 4

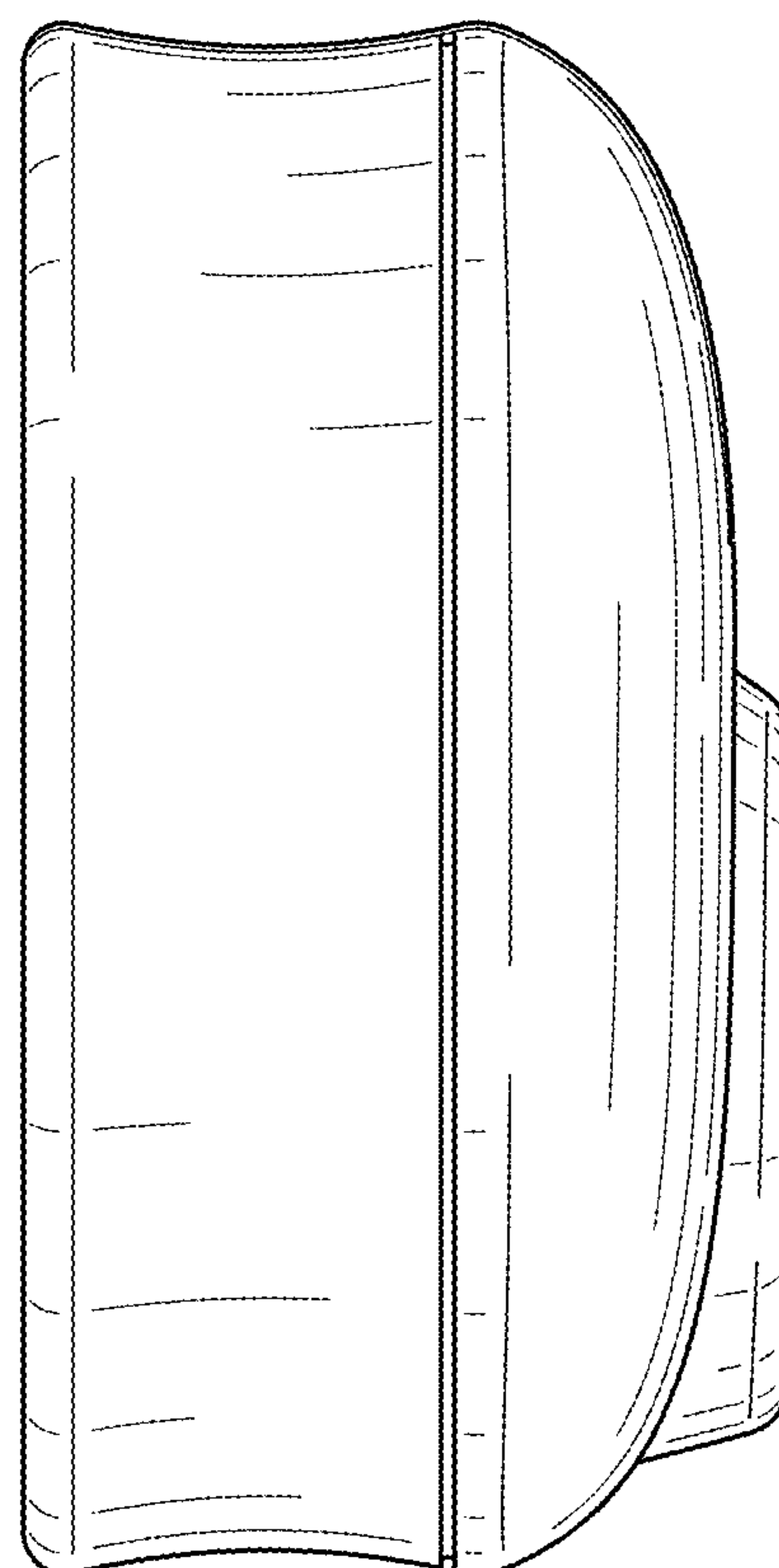


FIG. 5

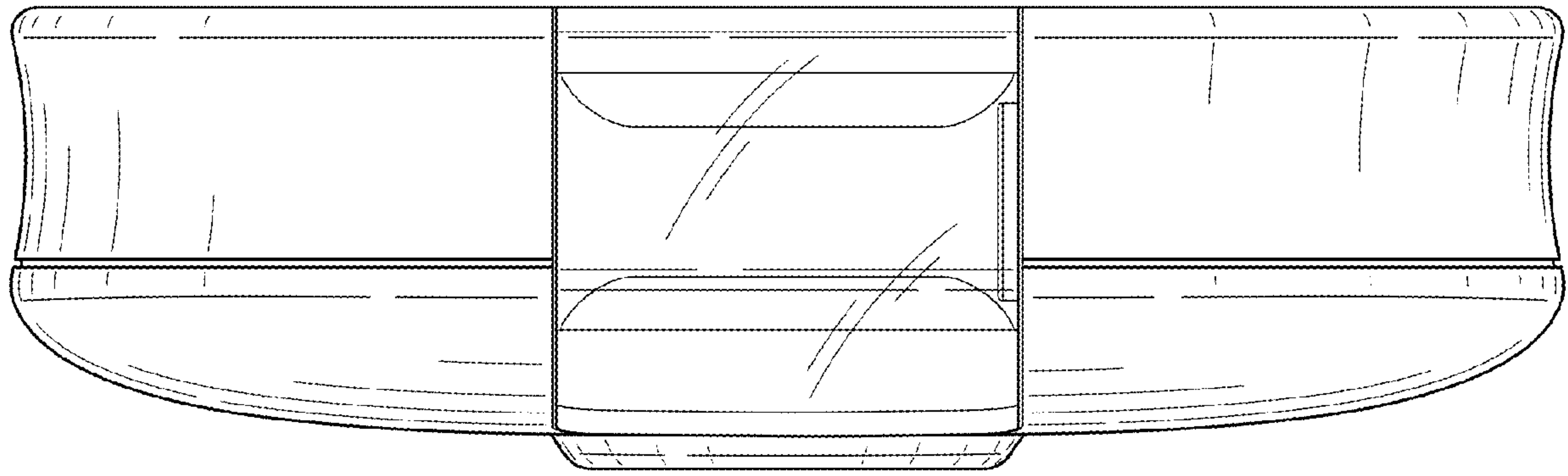


FIG. 6

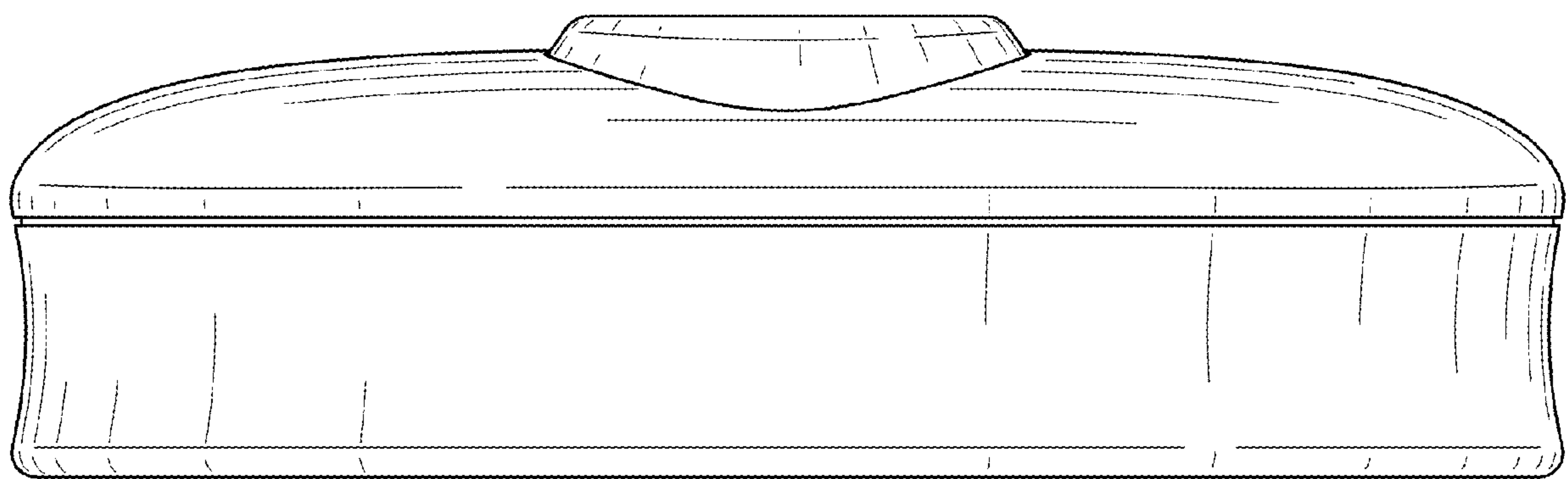


FIG. 7

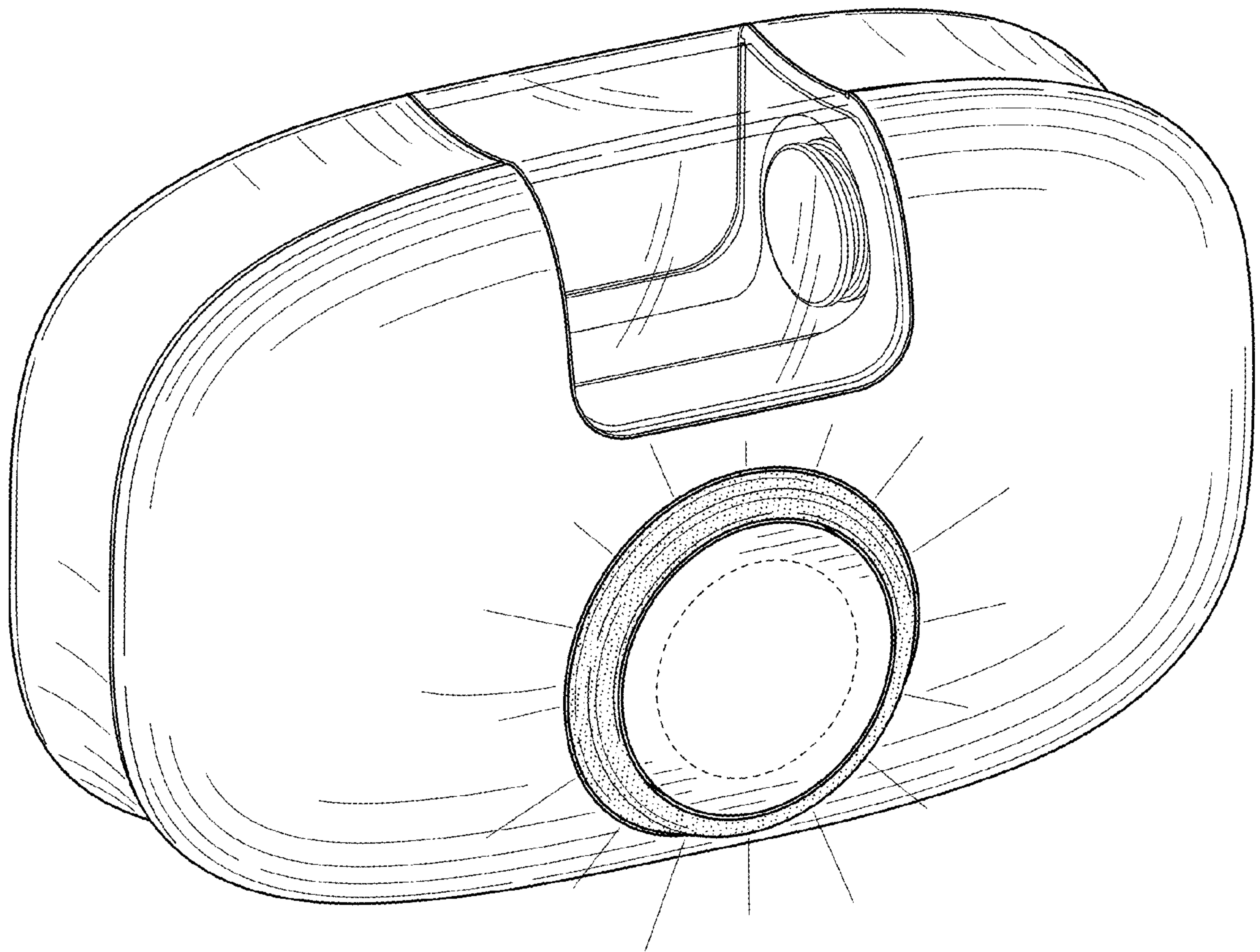


FIG. 8