

US00D905846S

(12) **United States Design Patent** (10) **Patent No.:** **US D905,846 S**  
**Mitchell et al.** (45) **Date of Patent:** **\*\* Dec. 22, 2020**

(54) **GRAPHIC SCREEN FOR PORTABLE NEBULIZER**

15/0091; A61M 15/0021; A61M 15/0026;  
A61M 15/008; A61M 15/007; A63B  
23/18

(71) Applicant: **KONINKLIJKE PHILIPS N.V.**,  
Eindhoven (NL)

See application file for complete search history.

(72) Inventors: **Andrew David Mitchell**, Eindhoven  
(NL); **Ian Thomas Petherbridge**,  
Eindhoven (NL); **Ivan Richard Prince**,  
Eindhoven (NL); **Michael James**  
**Robert Leppard**, Eindhoven (NL);  
**Jeffrey Andrew Pipe**, Eindhoven (NL);  
**Louise Jane Rowe**, Eindhoven (NL)

(56) **References Cited**

U.S. PATENT DOCUMENTS

D752,203 S \* 3/2016 Sung ..... D24/108  
D759,234 S \* 6/2016 Bertinetti ..... D24/127  
D819,193 S \* 5/2018 Bertinetti ..... D24/110

OTHER PUBLICATIONS

Rounded Rectangle, posted at amazon.com, earliest date posted on  
Mar. 15, 2006, [online], acquired on Jan. 31, 2020. Available from  
Internet, <http://mathworld.wolfram.com/RoundedRectangle.html> (Year:  
2006).\*

(73) Assignee: **KONINKLIJKE PHILIPS N.V.**,  
Eindhoven (NL)

\* cited by examiner

(\*\*) Term: **15 Years**

*Primary Examiner* — Sheryl Lane  
*Assistant Examiner* — Aula Soroush

(21) Appl. No.: **29/664,865**

(22) Filed: **Sep. 28, 2018**

(57) **CLAIM**

(30) **Foreign Application Priority Data**

The ornamental design for a graphic screen for portable  
nebulizer, as shown.

Mar. 29, 2018 (EM) ..... 005137072-0003

**DESCRIPTION**

(51) **LOC (12) Cl.** ..... **29-02**

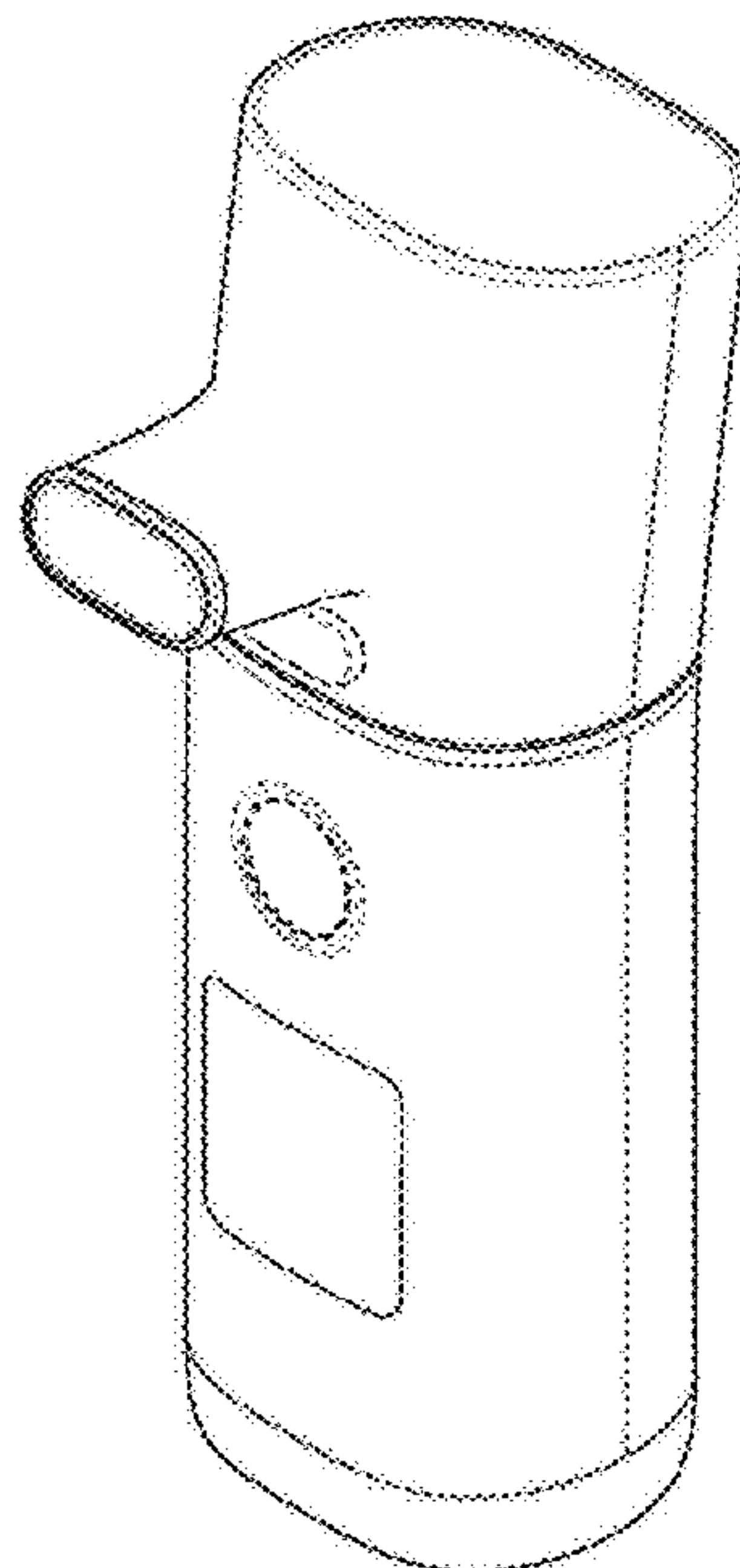
(52) **U.S. Cl.**  
USPC ..... **D24/110**

(58) **Field of Classification Search**  
USPC ..... D24/107, 108, 110, 110.1–110.5, 127,  
D24/164; D29/108

CPC ..... A61M 15/0085; A61M 15/0005; A61M  
11/005; A61M 11/00; A61M 11/02;  
A61M 11/04; A61M 5/087; A61M  
5/0871; A61M 5/091; A61M 5/097;  
A61M 15/00; A61M 15/0065; A61M

FIG. 1 is a perspective view showing our design;  
FIG. 2 is a front elevational view thereof;  
FIG. 3 is a rear elevational view thereof;  
FIG. 4 is a right side elevational view thereof;  
FIG. 5 is a left side elevational view thereof;  
FIG. 6 is a top plan view thereof; and,  
FIG. 7 is a bottom plan view thereof.  
The portions of the graphic screen for portable nebulizer  
shown in broken lines form no part of the claimed design.

**1 Claim, 7 Drawing Sheets**



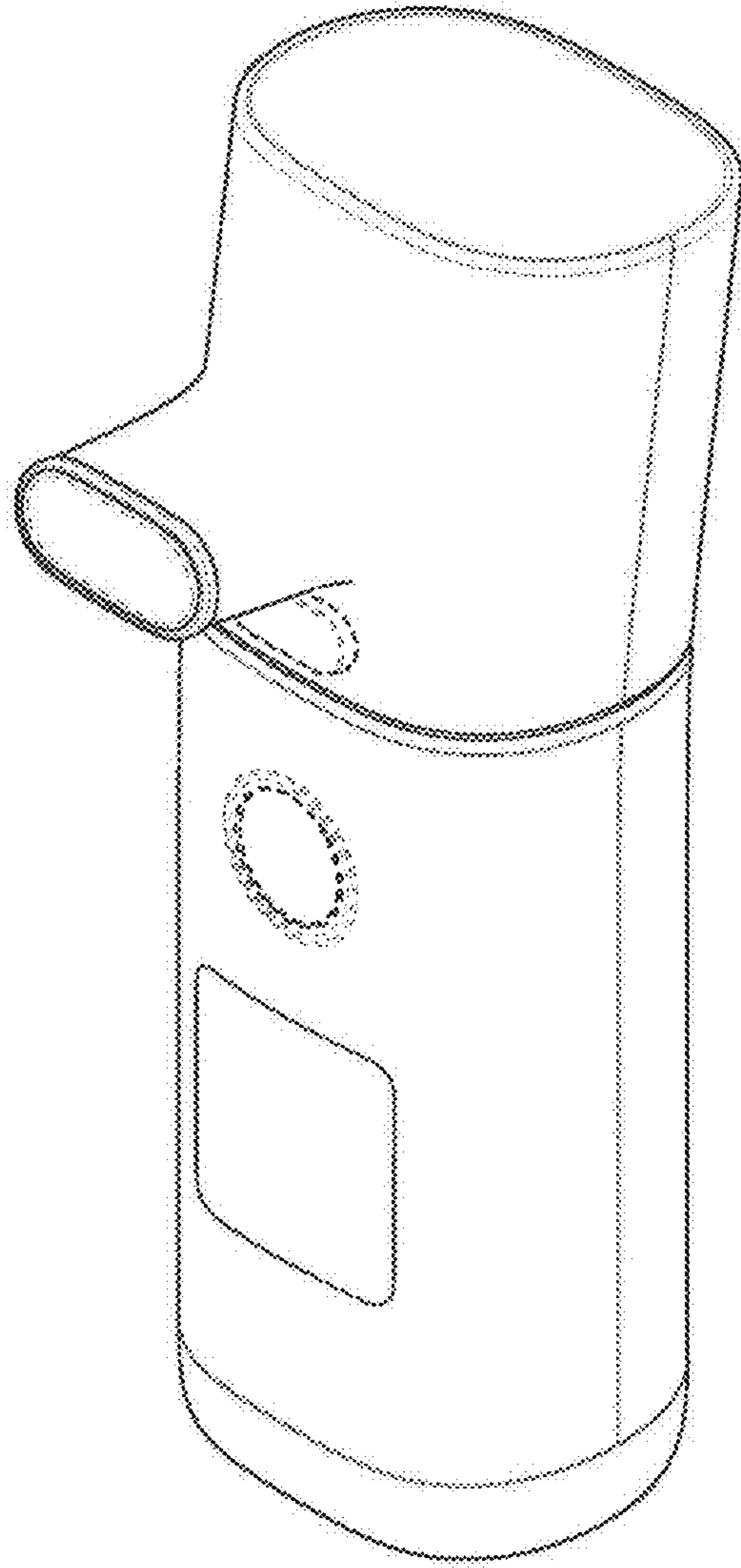


FIG. 1

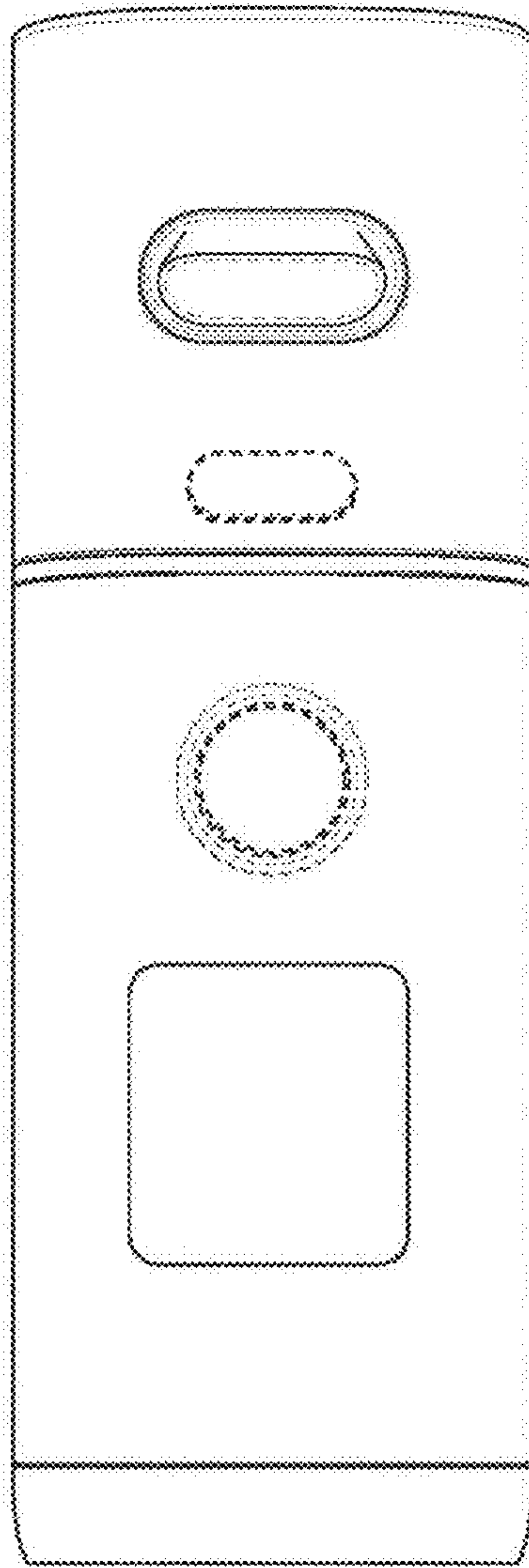


FIG. 2

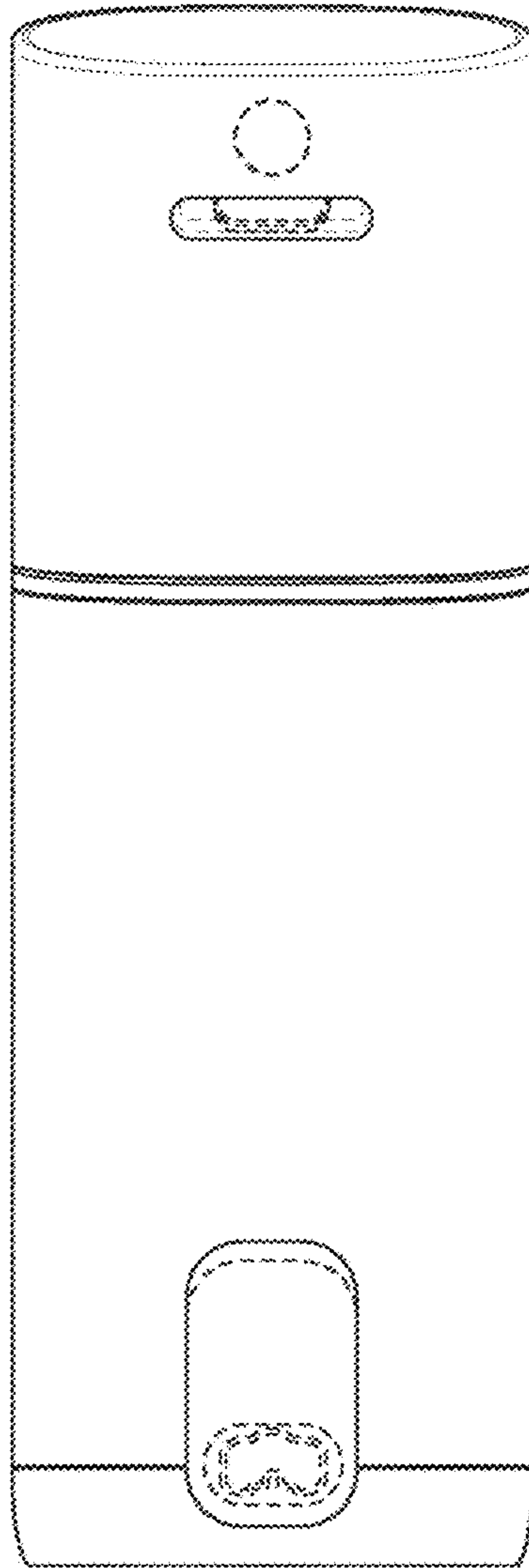


FIG. 3

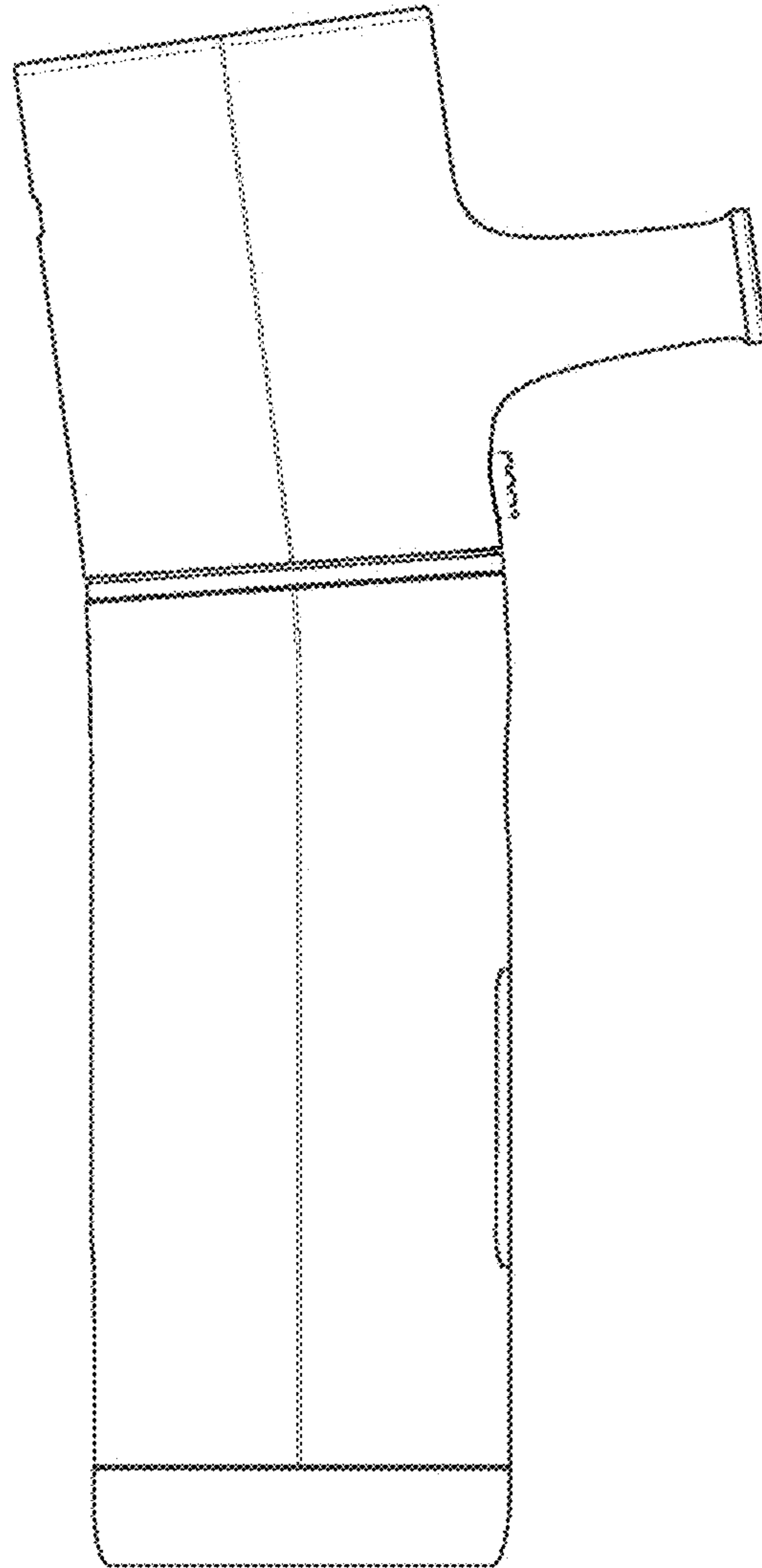


FIG. 4

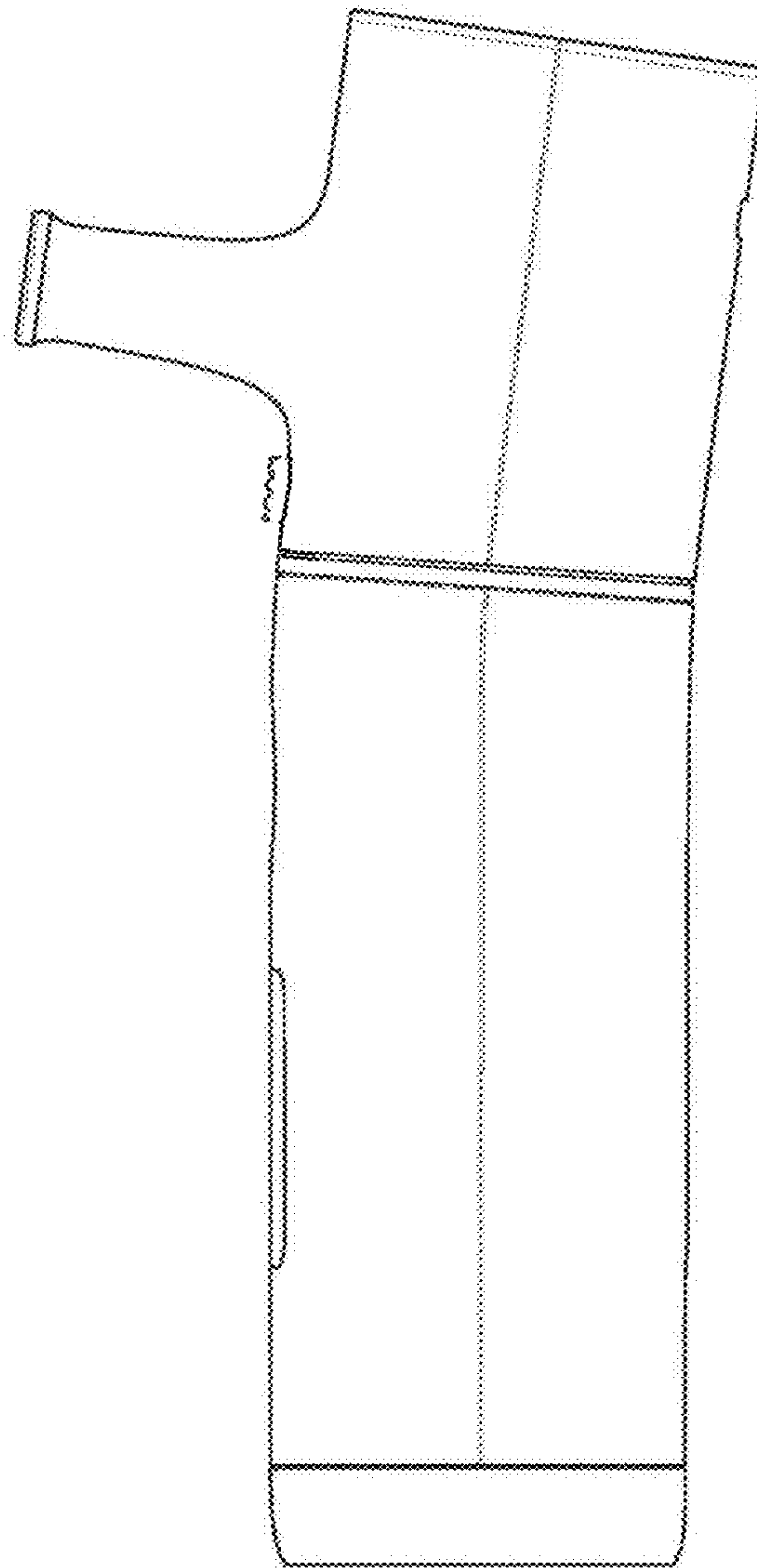


FIG.5

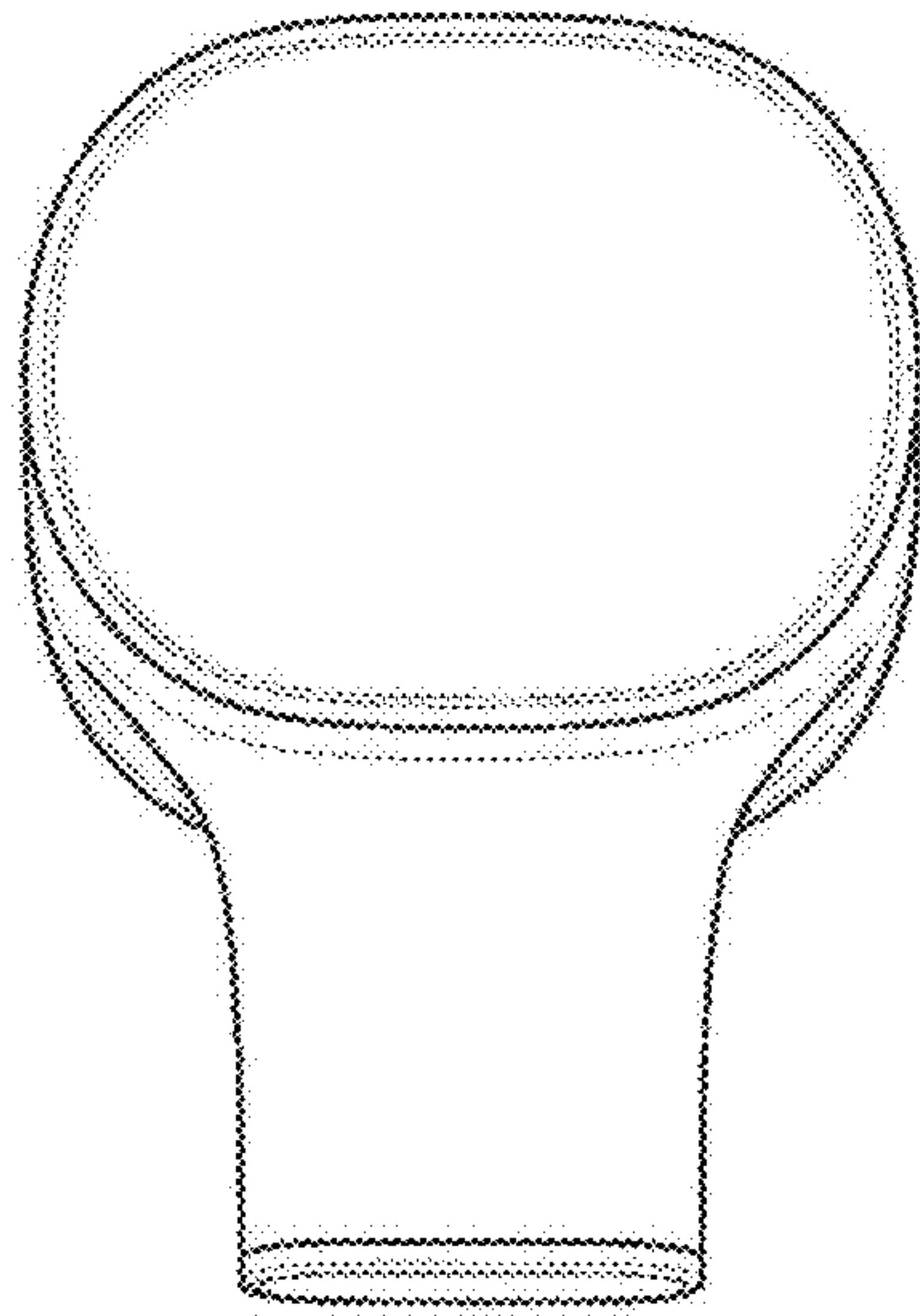


FIG. 6



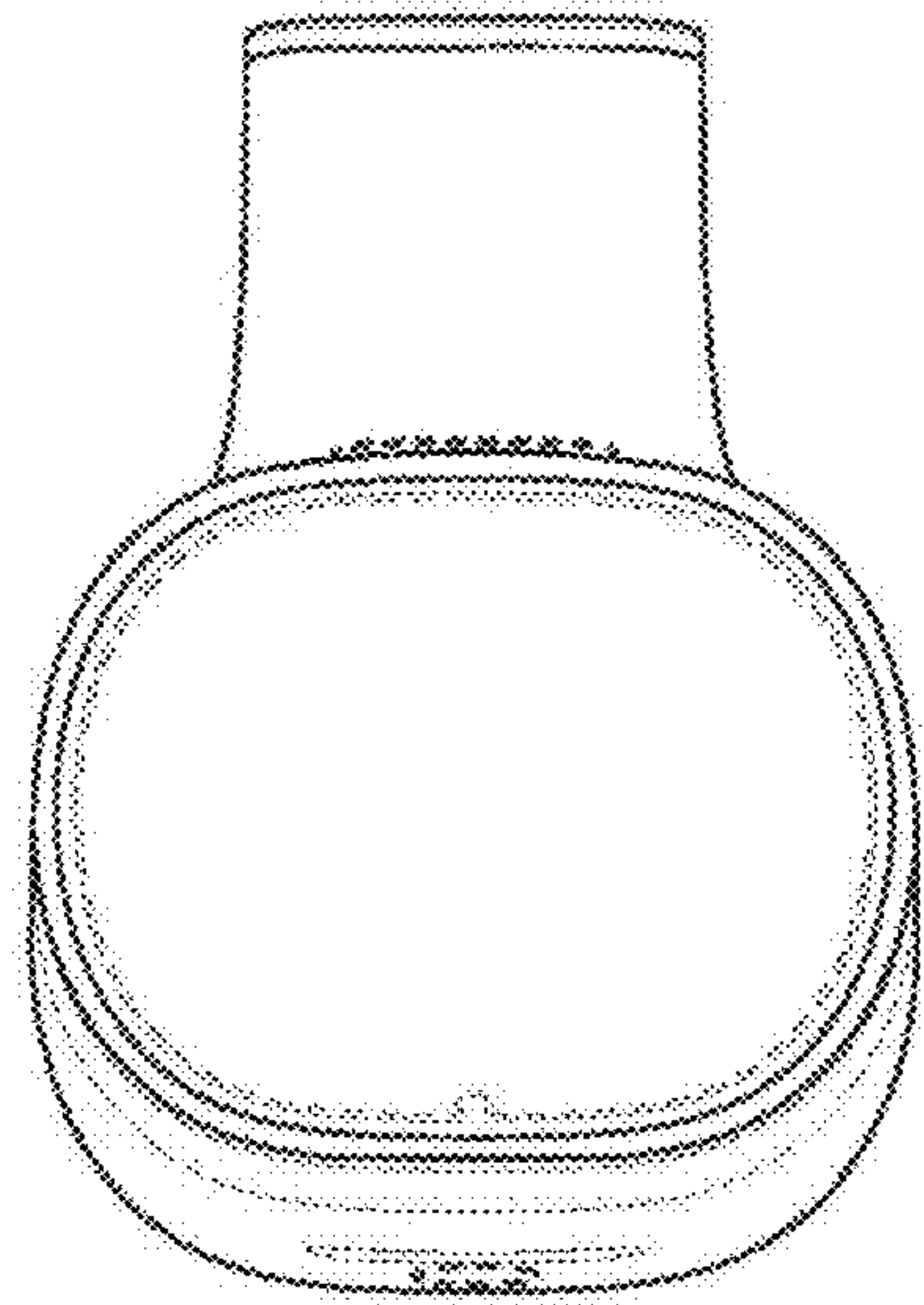


FIG. 7