



US00D905844S

(12) **United States Design Patent** (10) **Patent No.:** **US D905,844 S**
Su (45) **Date of Patent:** **** Dec. 22, 2020**

(54) **FRAME OF HEAT DISSIPATION FAN**

OTHER PUBLICATIONS

(71) Applicant: **ENERMAX TECHNOLOGY CORPORATION**, Taoyuan (TW)

(72) Inventor: **Yen-Wen Su**, Taoyuan (TW)

(73) Assignee: **ENERMAX TECHNOLOGY CORPORATION**, Taoyuan (TW)

(**) Term: **15 Years**

(21) Appl. No.: **29/668,648**

(22) Filed: **Oct. 31, 2018**

(51) **LOC (12) Cl.** **23-04**

(52) **U.S. Cl.**
USPC **D23/411**

(58) **Field of Classification Search**
USPC D23/370, 376, 383, 377, 411, 414;
D13/179
CPC ... F04D 29/668; F04D 25/0613; F04D 25/082
See application file for complete search history.

(56) **References Cited**

U.S. PATENT DOCUMENTS

D387,151 S *	12/1997	Fok	D23/332
8,043,049 B2 *	10/2011	Chen	F04D 25/0613
				415/119
D676,541 S *	2/2013	Fu	D23/370
D723,151 S *	2/2015	Xu	D23/370
D732,655 S *	6/2015	Ueno	D23/370
9,051,942 B2 *	6/2015	Su	F04D 29/547
9,970,443 B2 *	5/2018	Chang	F04D 29/522
10,237,943 B2 *	3/2019	Lin	F04D 25/0613

Amazon, "Enermax Squa RGB PWM 120mm Case Fan, Addressable RGB Sync Via Motherboard, Single Pack—Black; UCSQARGB12P-SG", First on sale Mar. 5, 2019. (<https://www.amazon.com/dp/B07P5SBD5Z>) (Year: 2019).*

NZXT, "Hue+ Controller and Aer RGB Bundle", First reviewed May 18, 2018. (<https://www.nzxt.com/products/aer-rgb-hue>) (Year: 2018).*

Akiba PC-Hotline, "Sharkoon's 12cm fan "RGB Shark Lights" that can hide screws with a frame cover" (translated from Japanese), Publish Feb. 7, 2020. (<https://akiba-pc.watch.impress.co.jp/docs/news/news/1233819.html>) (Year: 2020).*

* cited by examiner

Primary Examiner — April Rivas

(74) *Attorney, Agent, or Firm* — Chun-Ming Shih; HDLS IPR Services

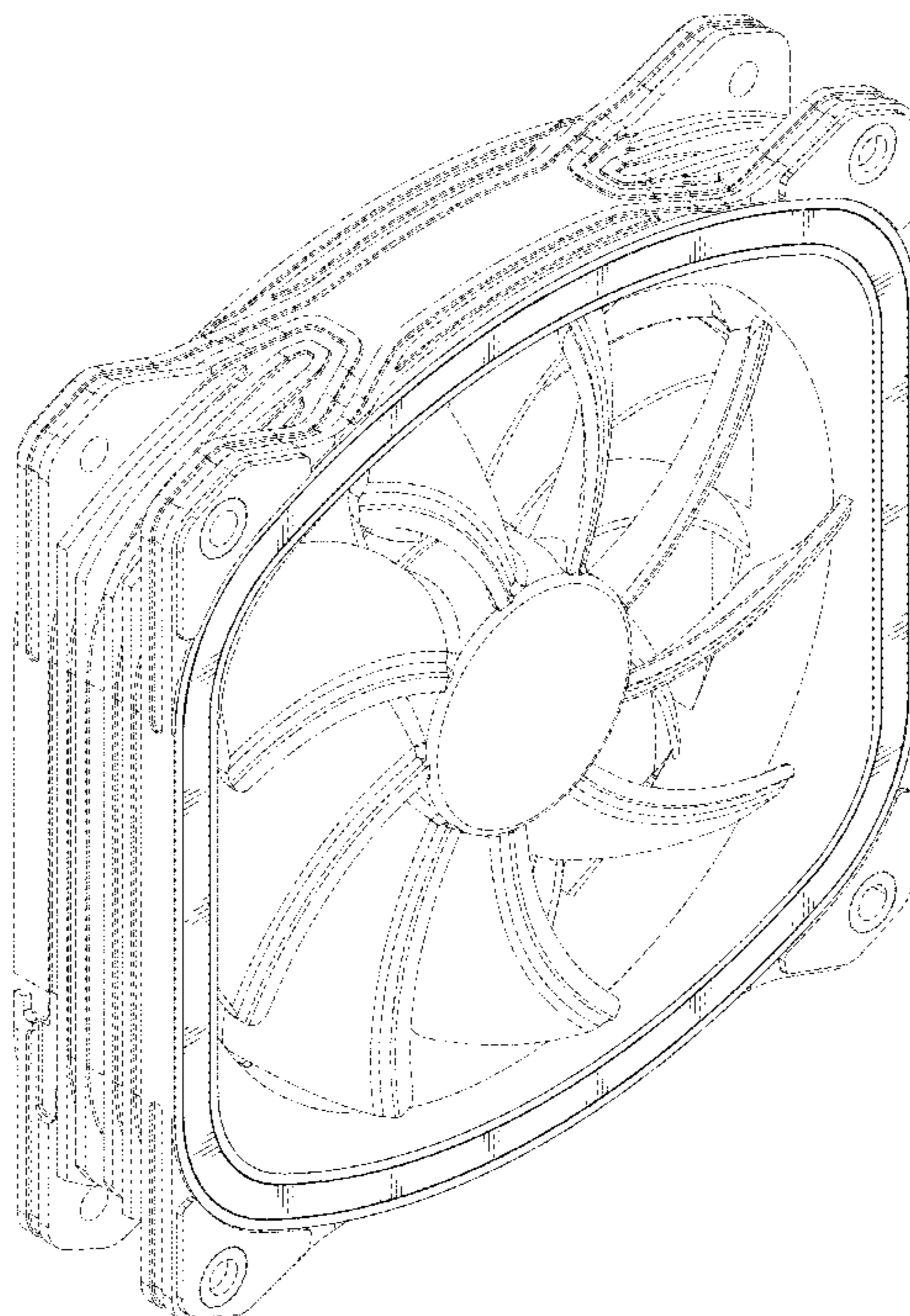
(57) **CLAIM**

The ornamental design for a frame of heat dissipation fan, as shown and described.

DESCRIPTION

FIG. 1 is a perspective view of a frame of heat dissipation fan showing my new design;
FIG. 2 is a front view thereof;
FIG. 3 is a rear view thereof;
FIG. 4 is a left side view thereof;
FIG. 5 is a right side view thereof;
FIG. 6 is a top view thereof; and,
FIG. 7 is a bottom view thereof.
The broken lines shown represent unclaimed subject matter and form no part of the claimed design.

1 Claim, 7 Drawing Sheets



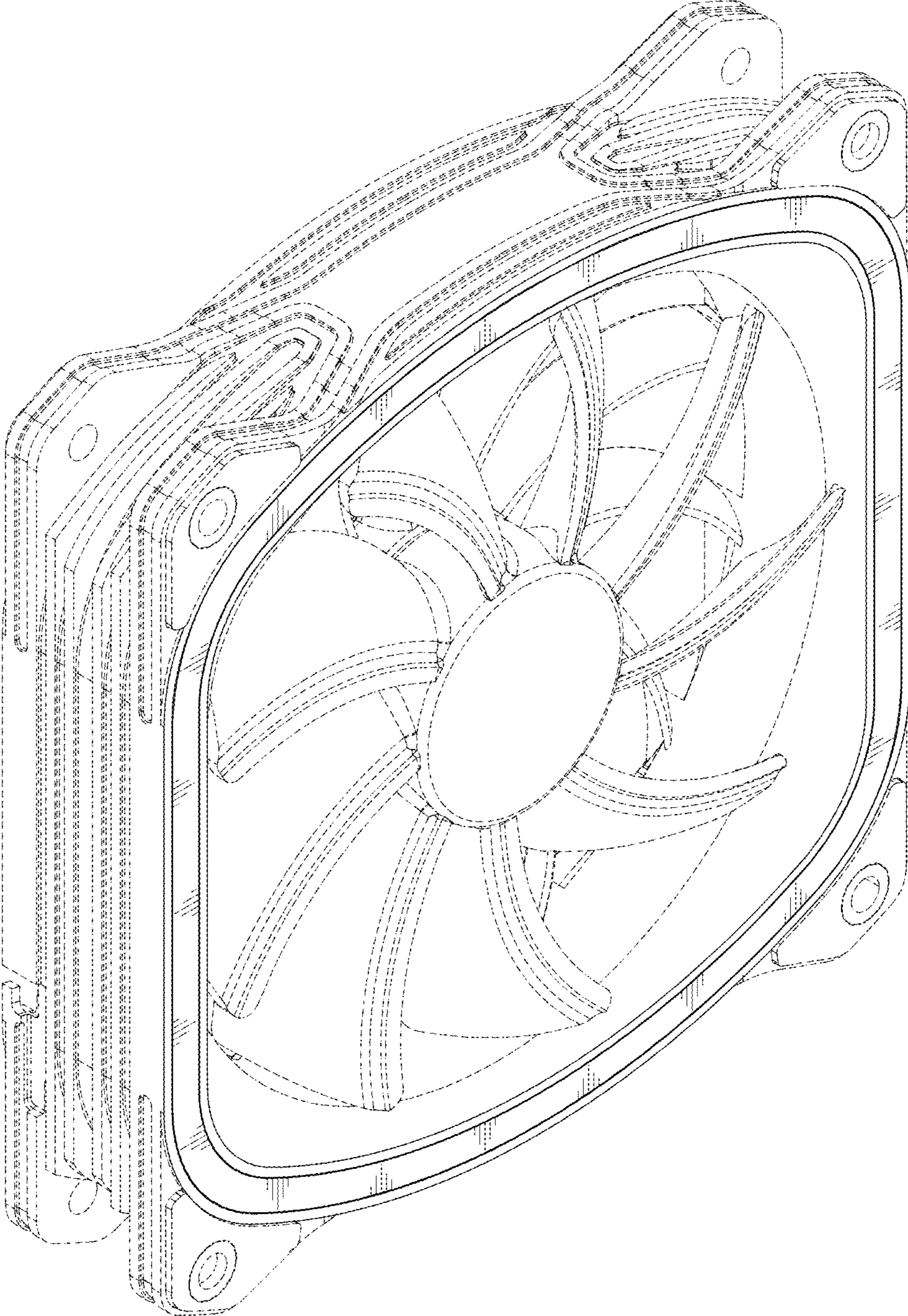


FIG.1

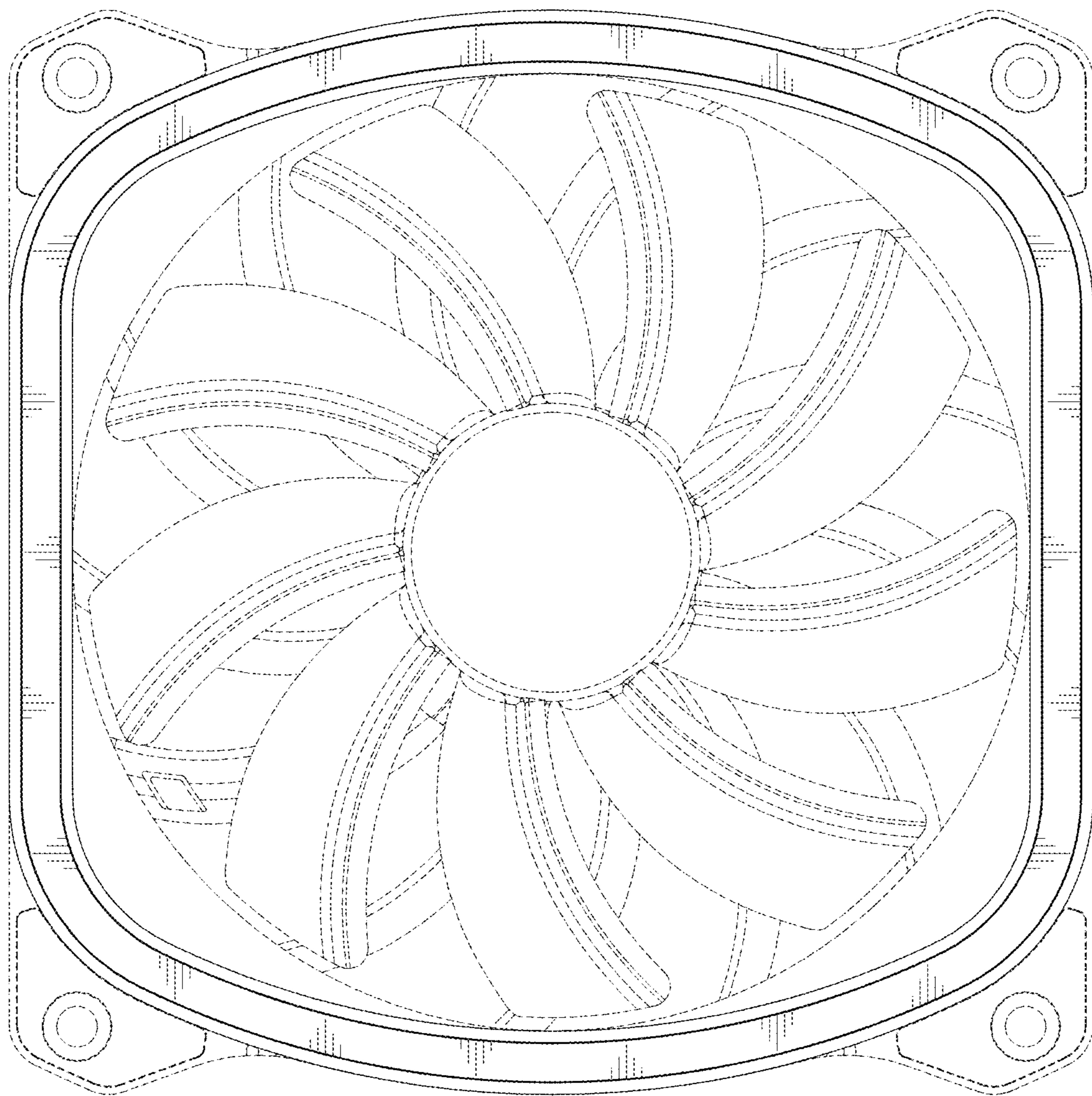


FIG.2

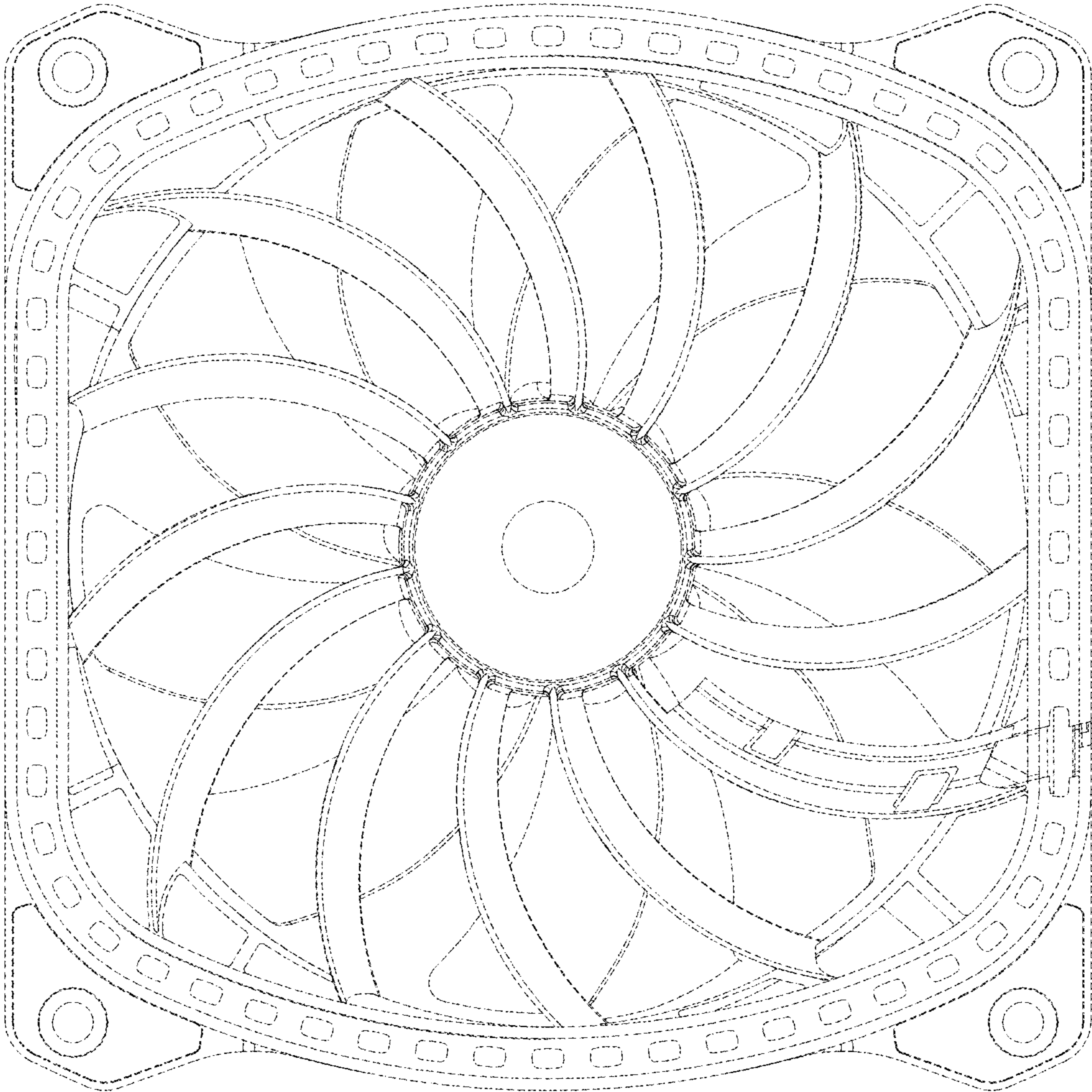


FIG.3

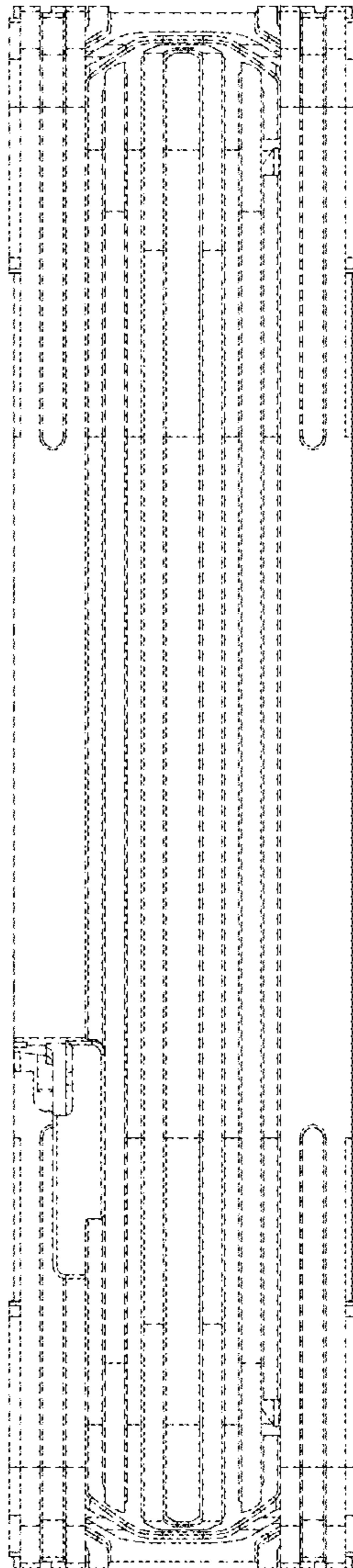


FIG.4

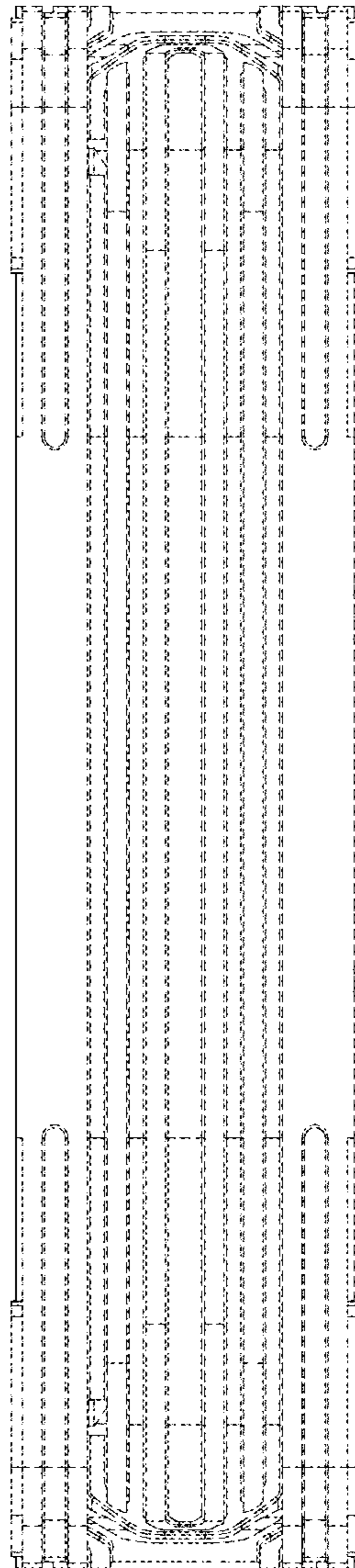


FIG.5

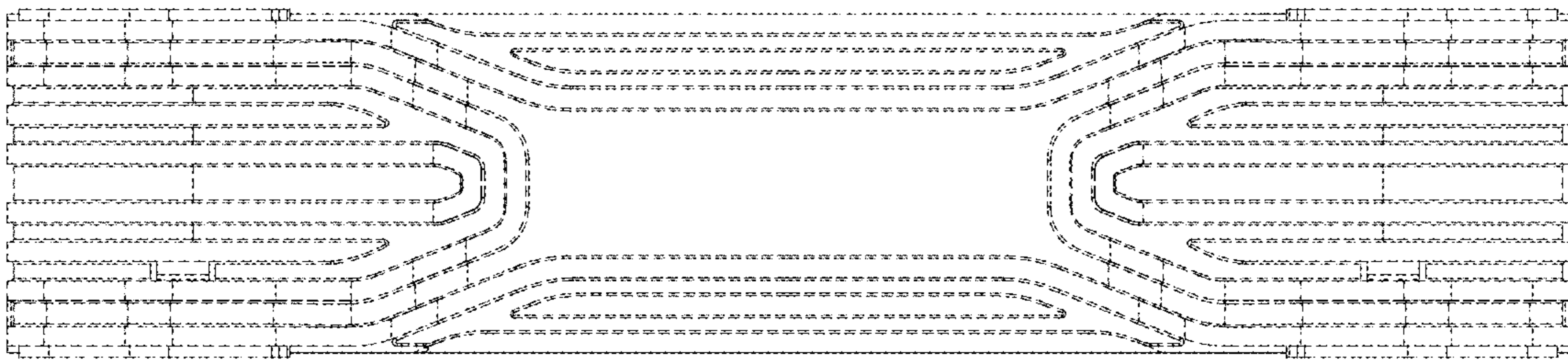


FIG.6

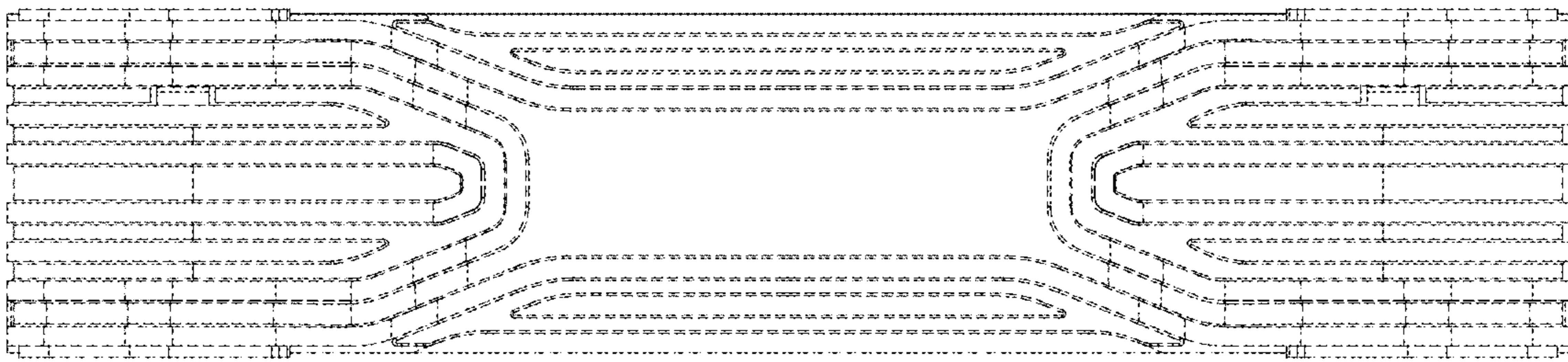


FIG. 7