



US00D905840S

(12) **United States Design Patent**
Cao

(10) **Patent No.:** **US D905,840 S**

(45) **Date of Patent:** **** Dec. 22, 2020**

(54) **AIR PURIFIER**

(71) Applicant: **Shenzhenshi Yiteng Technology Co., Ltd.**, Shenzhen (CN)

(72) Inventor: **Chao Cao**, Yiyang (CN)

(**) Term: **15 Years**

(21) Appl. No.: **29/746,133**

(22) Filed: **Aug. 12, 2020**

(51) **LOC (12) Cl.** **23-04**

(52) **U.S. Cl.**
USPC **D23/364**

(58) **Field of Classification Search**

USPC D23/355-366, 352, 369, 332, 333, 335,
D23/336, 342, 351; 422/120, 122;
55/356, 473, 504; 96/97; 261/DIG. 17,
261/DIG. 65, DIG. 88, DIG. 31
CPC .. A61L 9/16; A61L 9/22; B01D 47/00; B01D
47/027; B01D 2221/02; B01D 2259/4508;
B03C 3/155; B03C 3/368; F24F 3/16;
F24F 13/20; F24F 13/28; F24F
2001/0096

See application file for complete search history.

(56) **References Cited**

U.S. PATENT DOCUMENTS

D741,465 S * 10/2015 Satou D23/364
D750,209 S * 2/2016 Satou D23/364
D755,359 S * 5/2016 Rentschler D23/355
D755,942 S * 5/2016 Kim D23/364
D791,297 S * 7/2017 Ljungstrom D23/364
D835,765 S * 12/2018 Chen D23/364
D837,354 S * 1/2019 Su D23/364

D852,344 S * 6/2019 Hua D23/364
D862,673 S * 10/2019 Tang D23/364
D865,148 S * 10/2019 Yoon D23/364
D882,055 S * 4/2020 Ediger D23/356
D891,600 S 7/2020 Kim
D893,009 S * 8/2020 Choi D23/364
D893,690 S * 8/2020 Qi D23/335

* cited by examiner

Primary Examiner — David G Muller

(74) *Attorney, Agent, or Firm* — ZANIP

(57) **CLAIM**

The ornamental design for an air purifier, as shown and described.

DESCRIPTION

FIG. 1 is a front and top perspective view of an air purifier, showing my new design;

FIG. 2 is a rear and bottom perspective view thereof;

FIG. 3 is a front elevational view thereof;

FIG. 4 is a rear elevational view thereof;

FIG. 5 is a left side elevational view thereof;

FIG. 6 is a right side elevational view thereof;

FIG. 7 is a top plan view thereof;

FIG. 8 is a bottom plan view thereof;

FIG. 9 is an enlarged view of a portion labeled, 'FIG. 9' in FIG. 1; and,

FIG. 10 is an enlarged view of a portion labeled, 'FIG. 10' in FIG. 2.

The dash dot dash lines in FIGS. 1, 2, 9 and 10 are for the purpose of depicting the cut line of the enlarged view and form no part of the claim. The dashed broken lines, in the figures illustrate portions of the article that form no part of the claimed design.

1 Claim, 10 Drawing Sheets

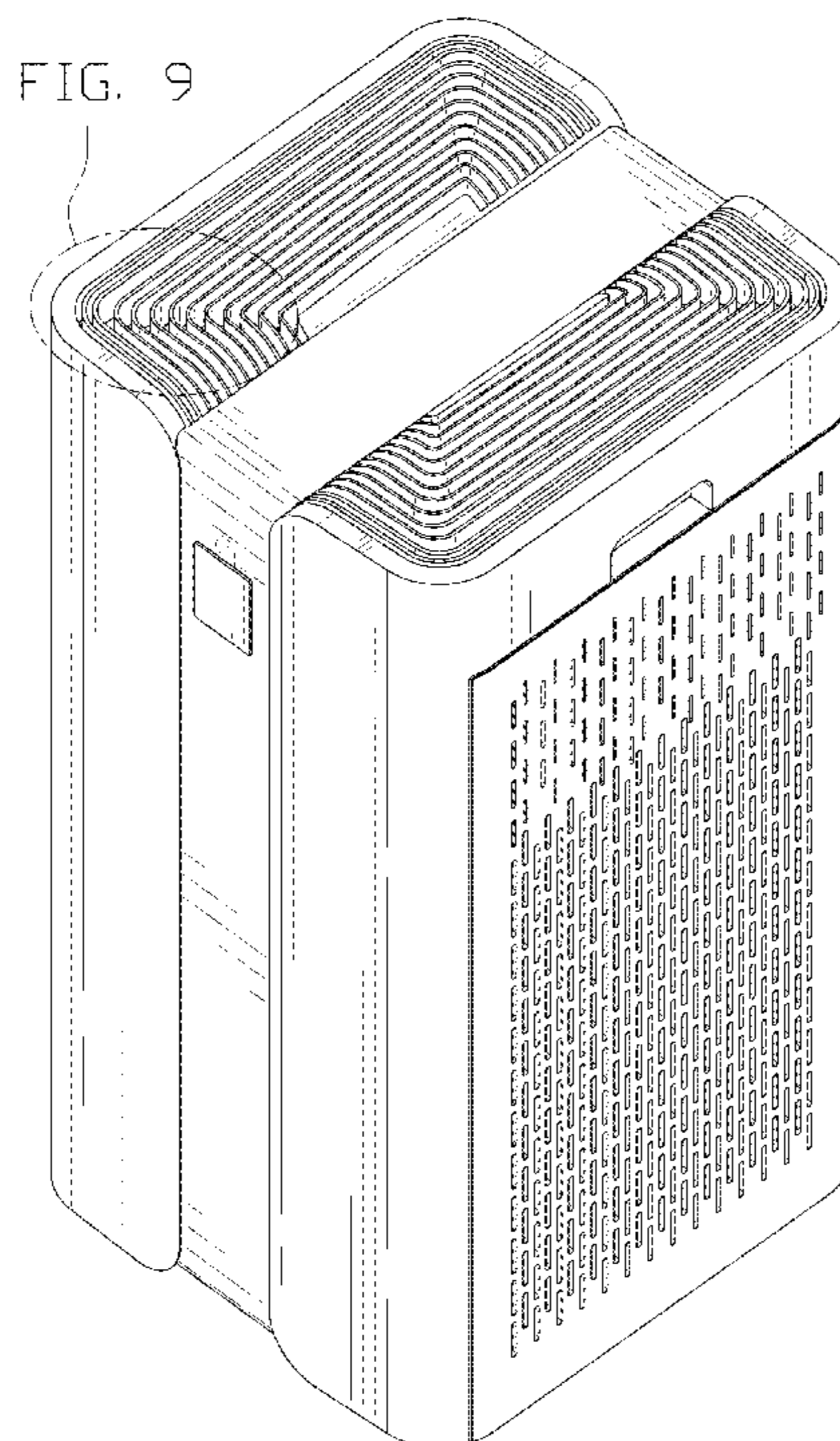


FIG. 9

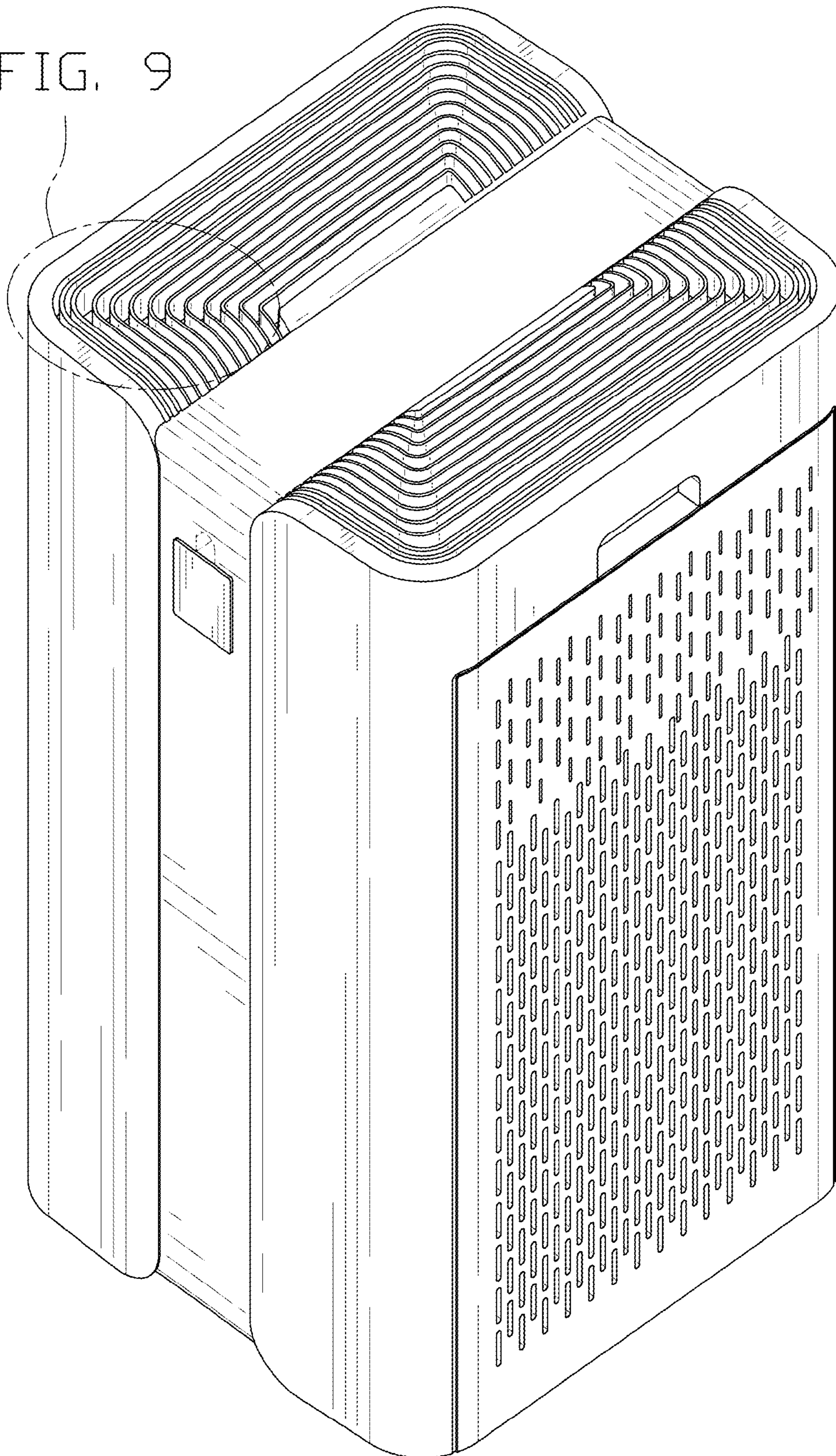


FIG. 1

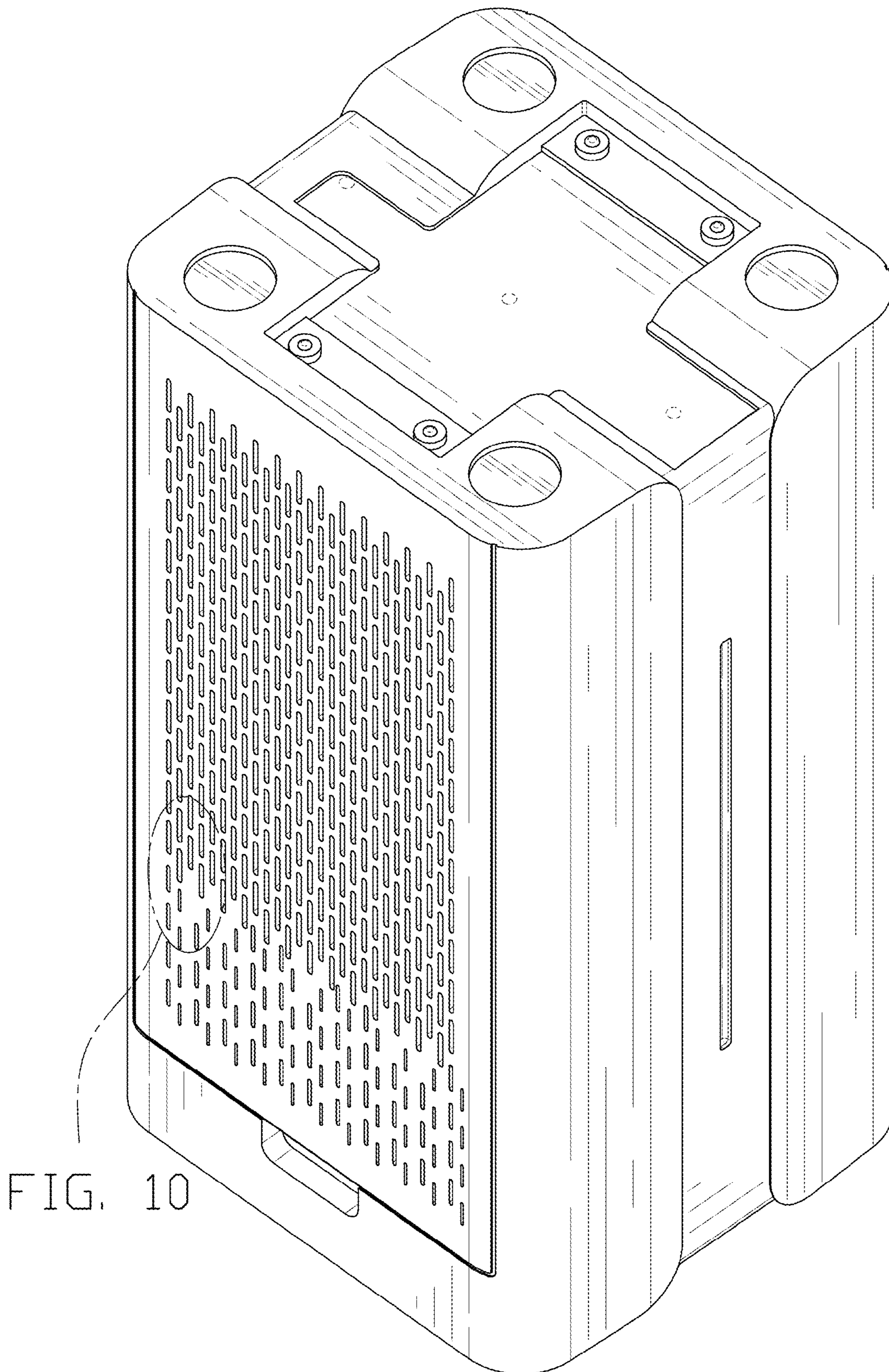


FIG. 10

FIG. 2

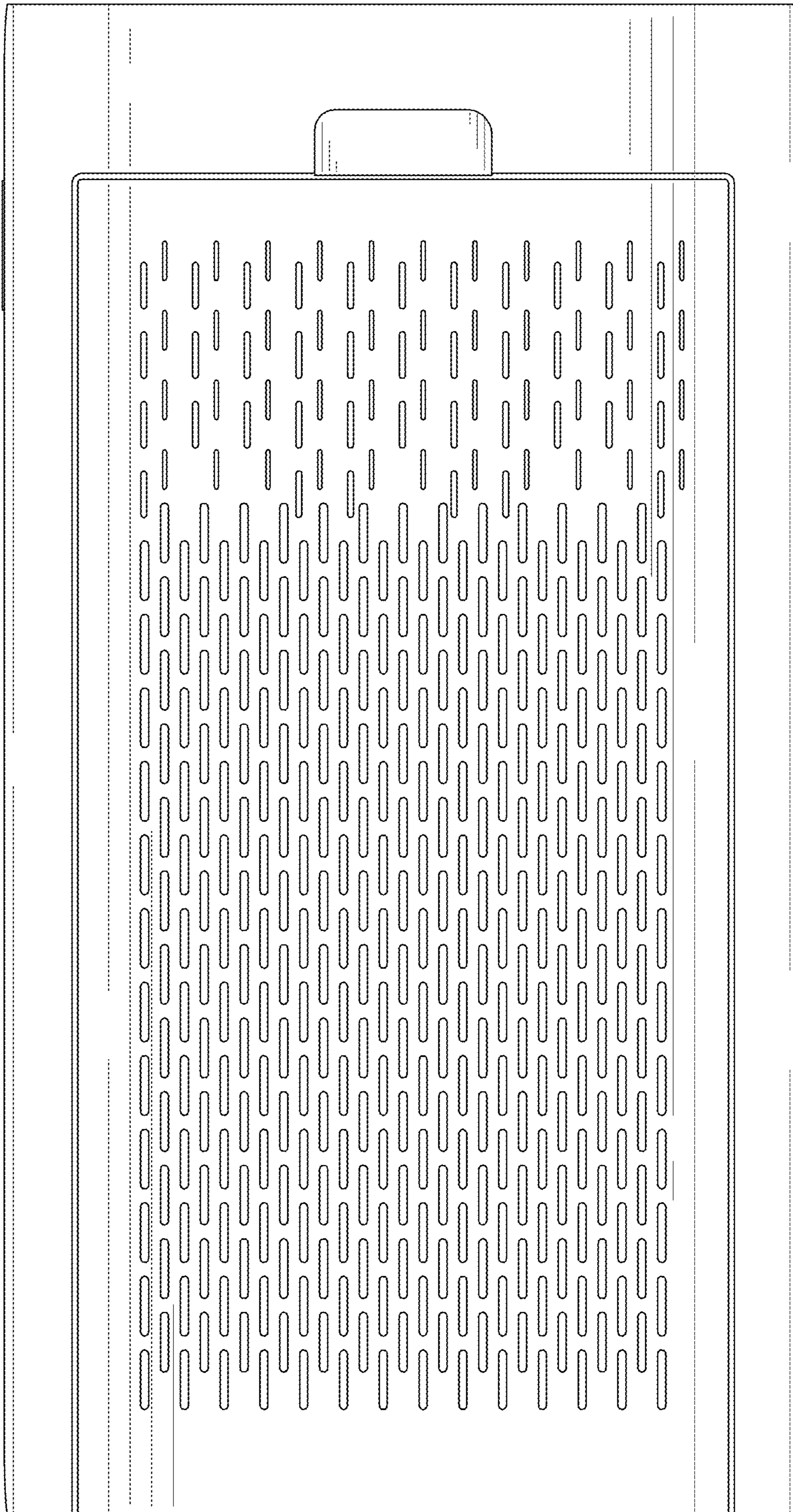


FIG. 3

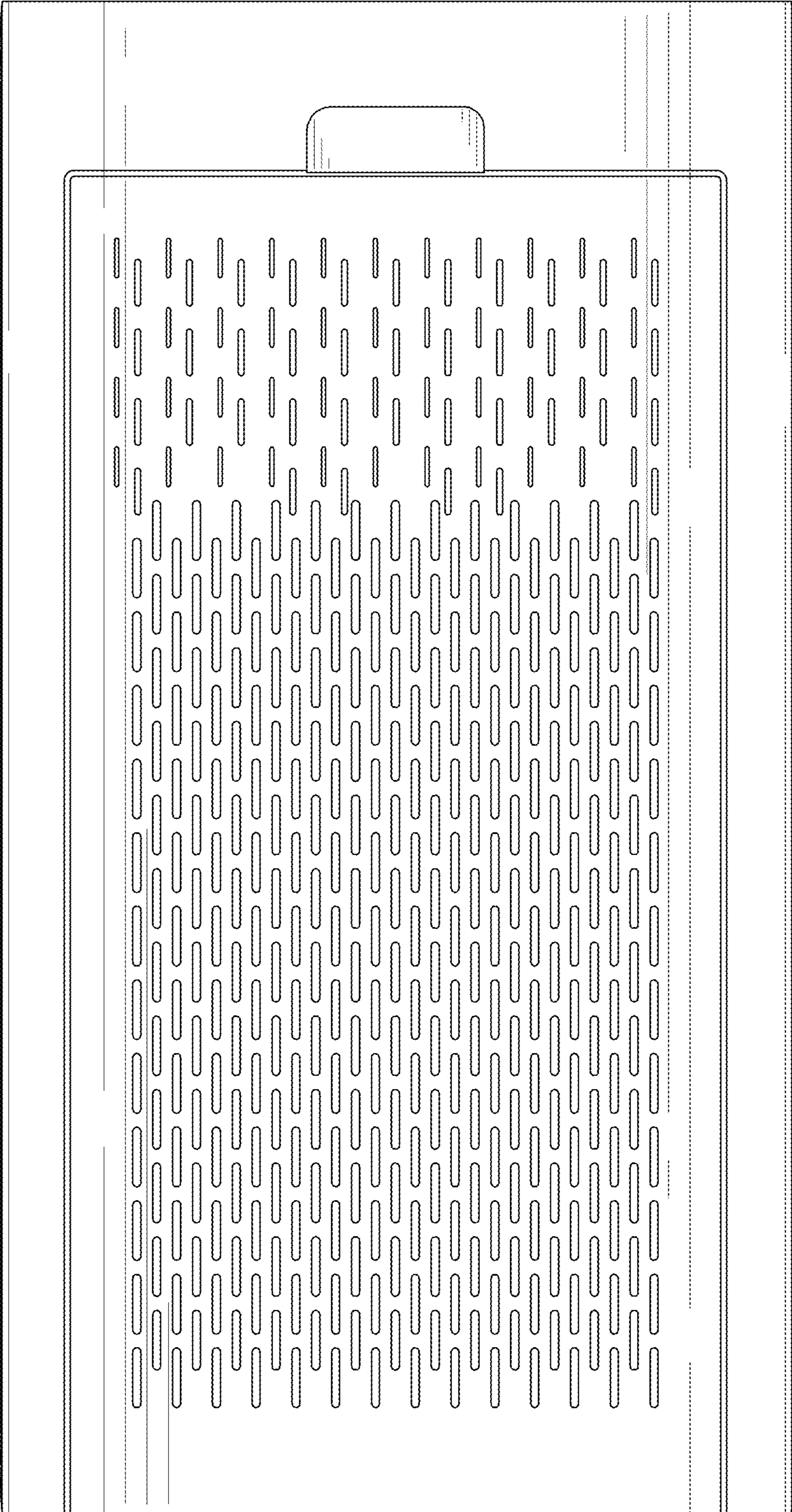


FIG. 4

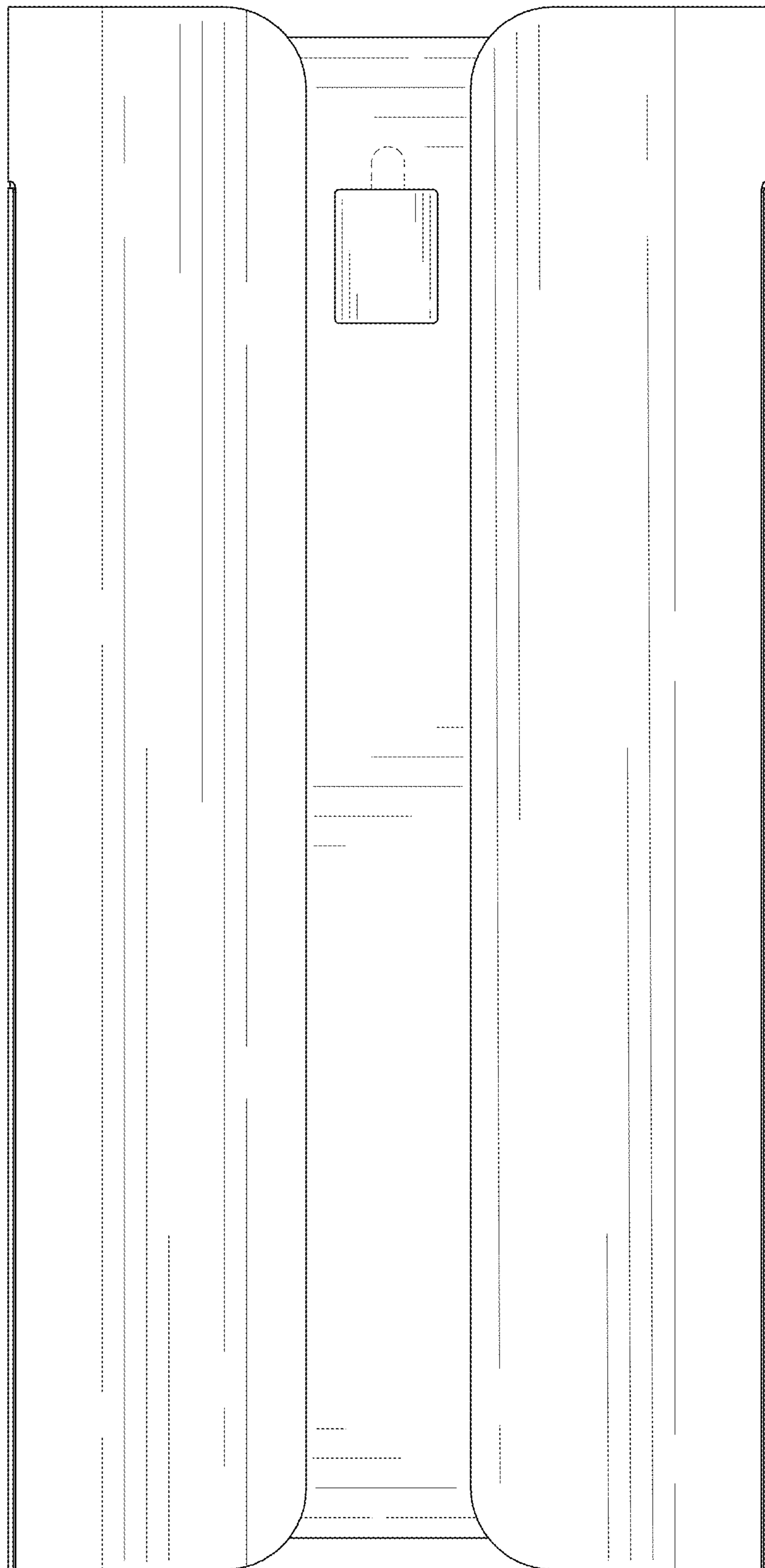


FIG. 5

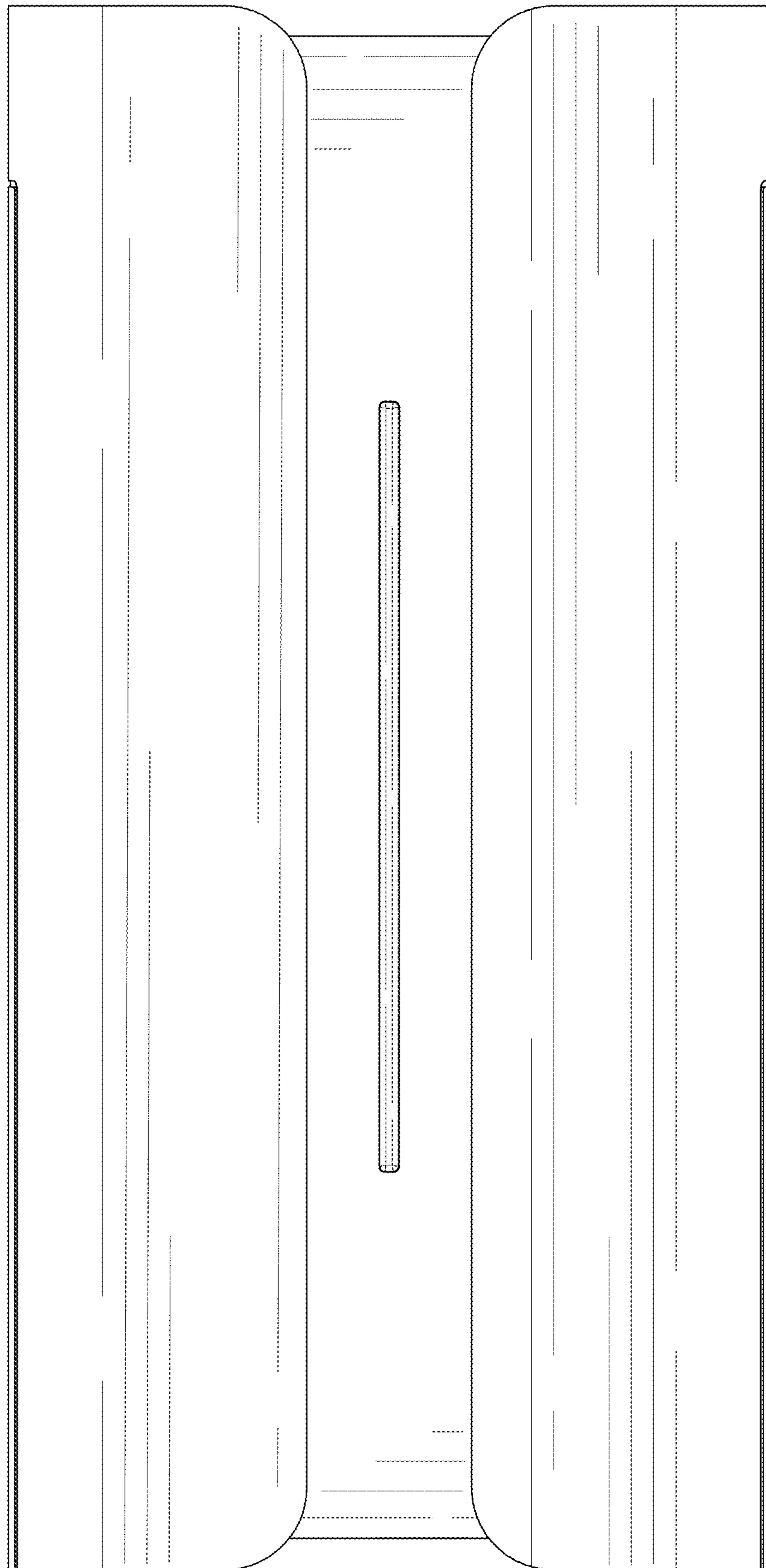


FIG. 6

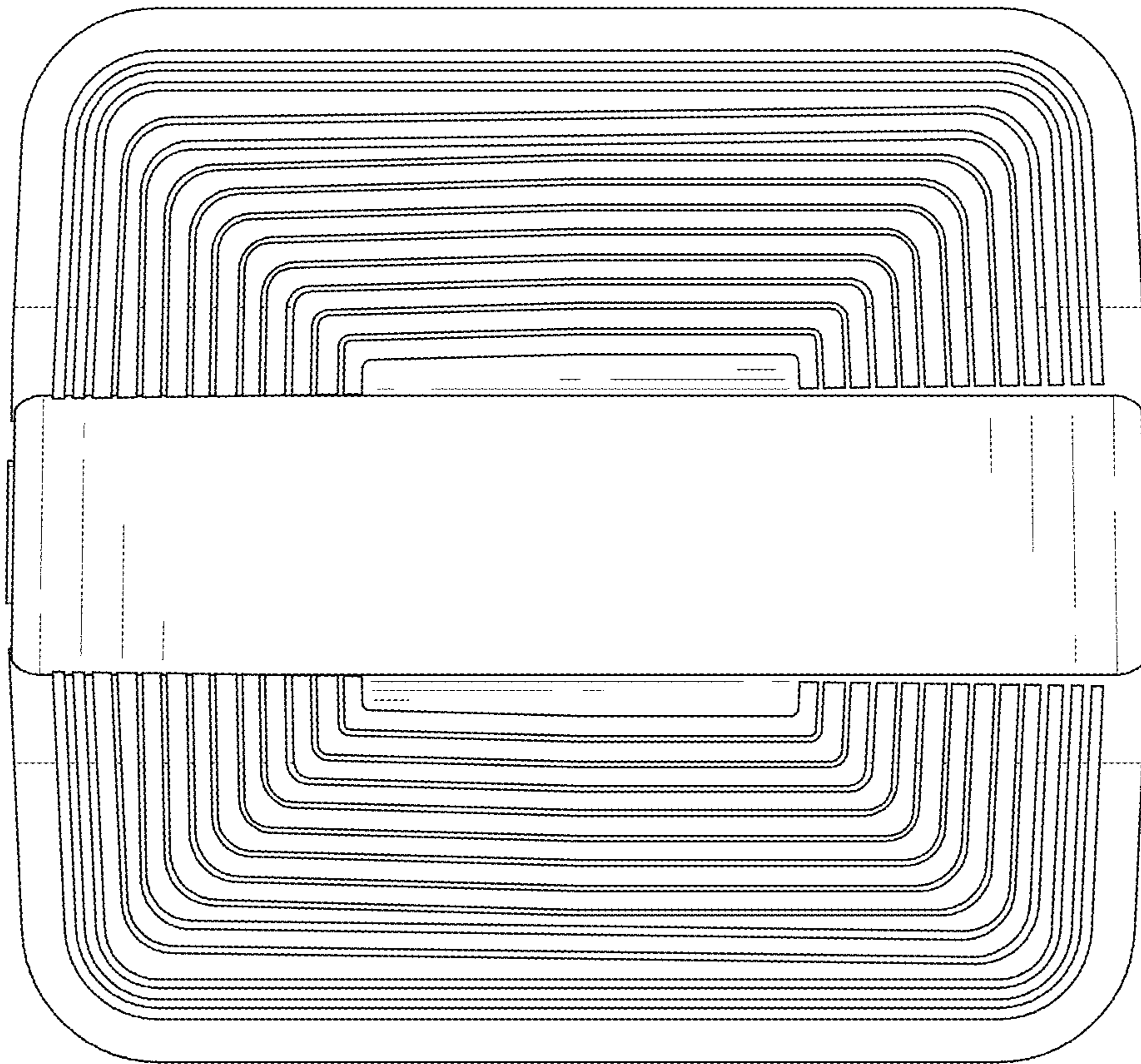


FIG. 7

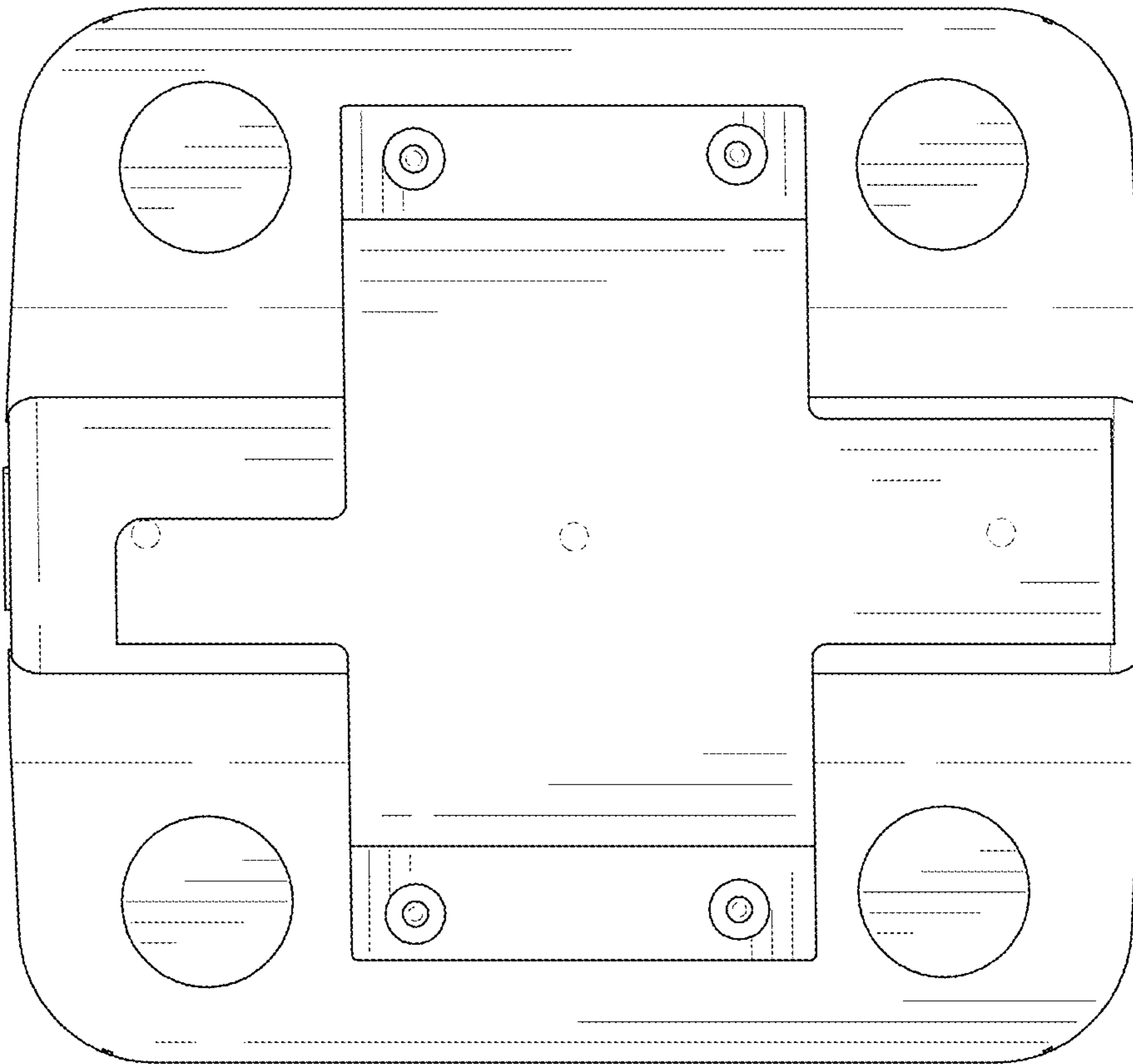


FIG. 8

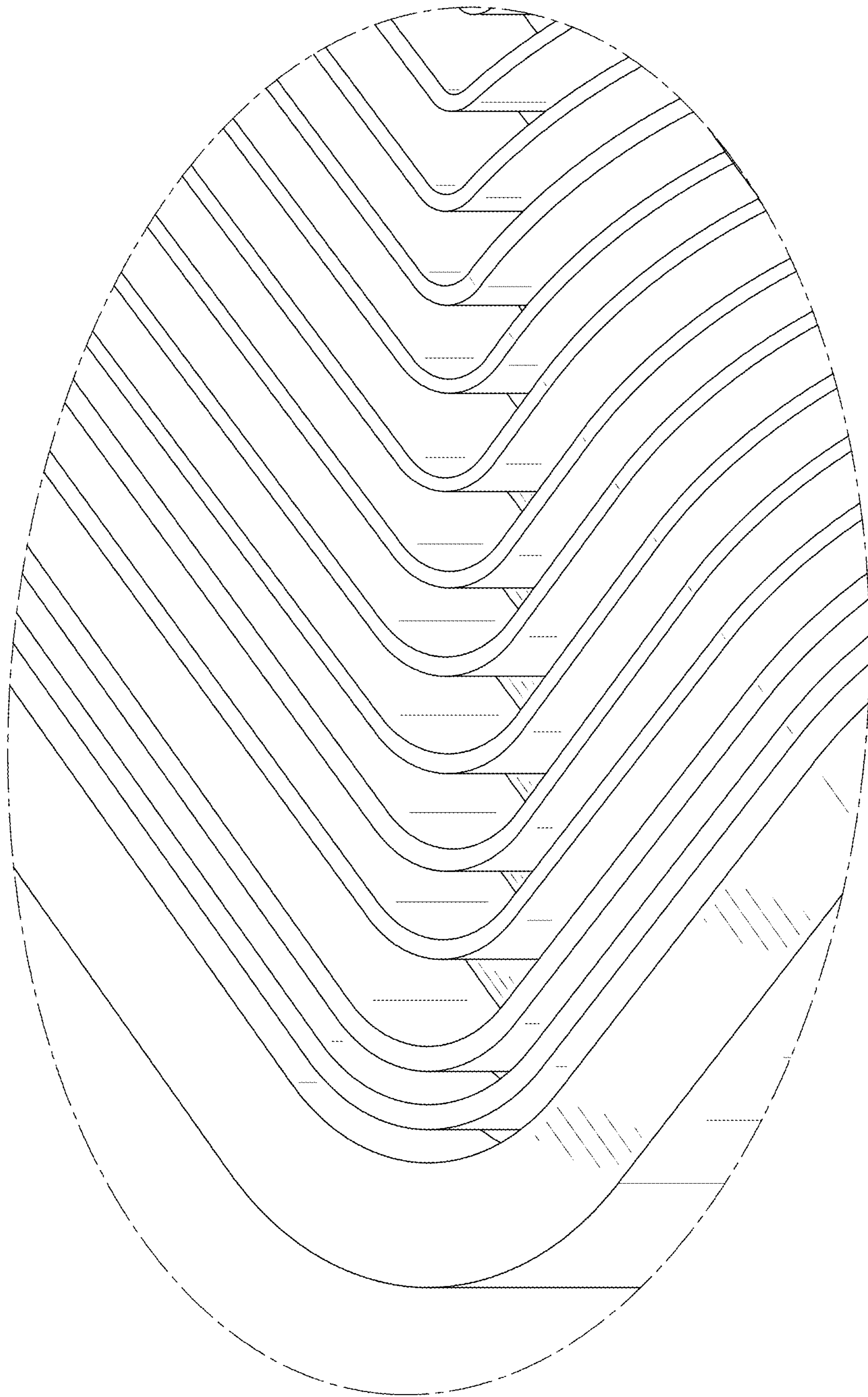


FIG. 9

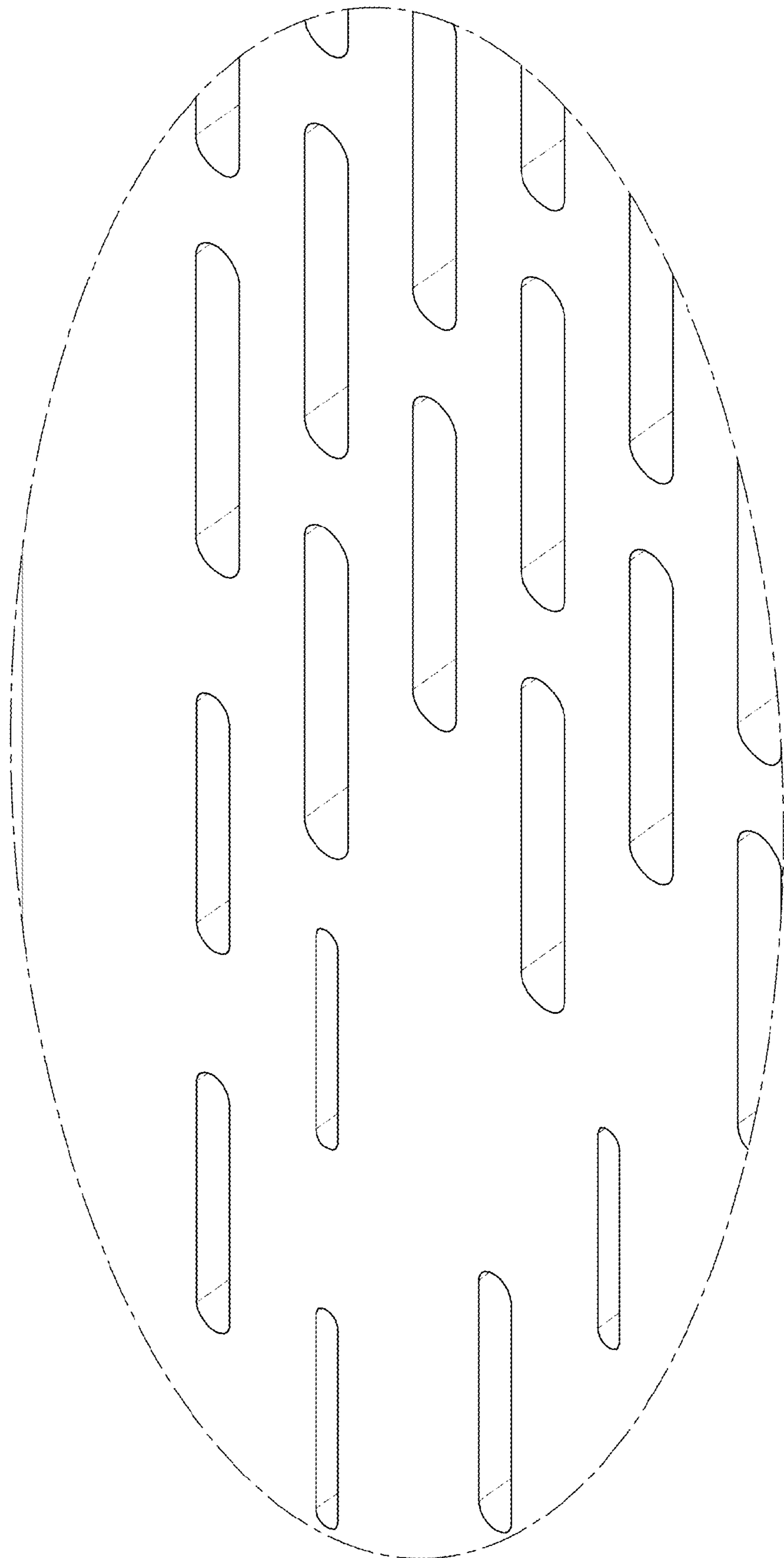


FIG. 10