



US00D905837S

(12) **United States Design Patent** (10) **Patent No.:** **US D905,837 S**
Garcia (45) **Date of Patent:** **** Dec. 22, 2020**

(54) **HUMIDIFYING DEVICE**
(71) Applicant: **Catalina Garcia**, Miami, FL (US)
(72) Inventor: **Catalina Garcia**, Miami, FL (US)
(**) Term: **15 Years**
(21) Appl. No.: **29/675,904**
(22) Filed: **Jan. 7, 2019**
(51) **LOC (12) Cl.** **23-04**
(52) **U.S. Cl.**
USPC **D23/356**
(58) **Field of Classification Search**
USPC D23/355-366, 352, 369, 332, 333, 335,
D23/336, 342, 351; 422/120, 122;
55/356, 473, 504; 96/97; 261/DIG. 17,
261/DIG. 65, DIG. 88, DIG. 31; D9/435,
D9/454
CPC .. A61L 9/16; A61L 9/22; B01D 47/00; B01D
47/027; B01D 2221/02; B01D 2259/4508;
B03C 3/155; B03C 3/368; F24F 3/16;
F24F 13/20; F24F 13/28; F24F
2001/0096
See application file for complete search history.

D710,196 S * 8/2014 Ivosevic D9/445
D728,372 S * 5/2015 Behar D9/454
D762,479 S * 8/2016 Velmer D9/445
D768,502 S * 10/2016 Im D9/434
D809,389 S * 2/2018 Royer D9/454
D815,539 S * 4/2018 Cheloni D9/543
D820,086 S * 6/2018 Lynd D9/454
D856,501 S * 8/2019 Netkin D23/366
D864,367 S * 10/2019 Chen D23/356
D864,368 S * 10/2019 Chen D23/356
D872,846 S * 1/2020 Jessup D23/364

* cited by examiner

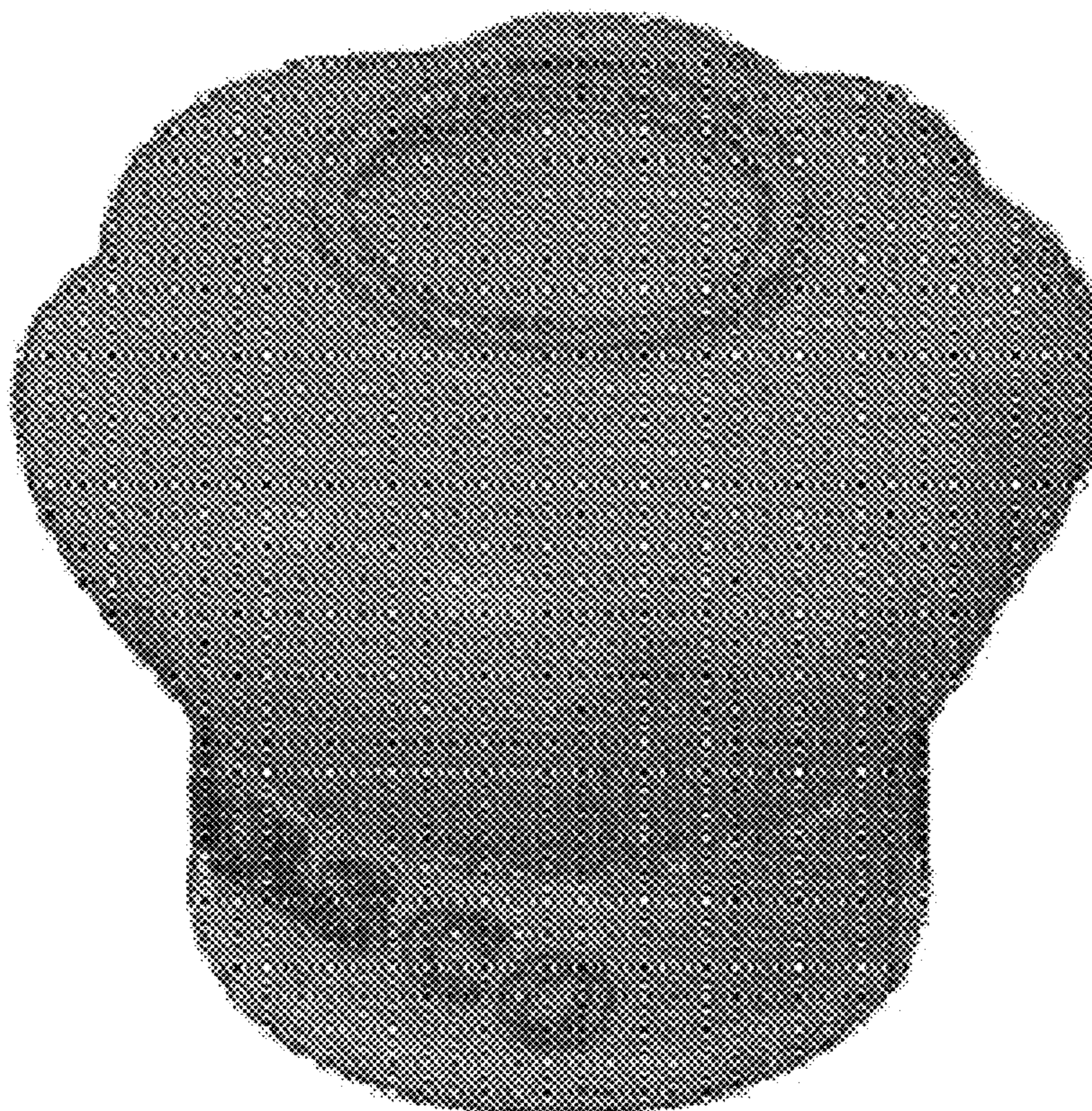
Primary Examiner — David G Muller
(74) *Attorney, Agent, or Firm* — GrayRobinson, P.A.

(56) **References Cited**
U.S. PATENT DOCUMENTS
D696,120 S * 12/2013 You D9/454
D700,692 S * 3/2014 Engelhardt D23/360

(57) **CLAIM**
The ornamental design for a humidifying device, as shown and described.

DESCRIPTION
FIG. 1 is an isometric view of the humidifying device showing my new design;
FIG. 2 is a front elevational view thereof;
FIG. 3 is a top plan view thereof;
FIG. 4 is a bottom plan view thereof;
FIG. 5 is a left elevational view thereof;
FIG. 6 is a right elevational view thereof; and,
FIG. 7 is another isometric view thereof.

1 Claim, 7 Drawing Sheets



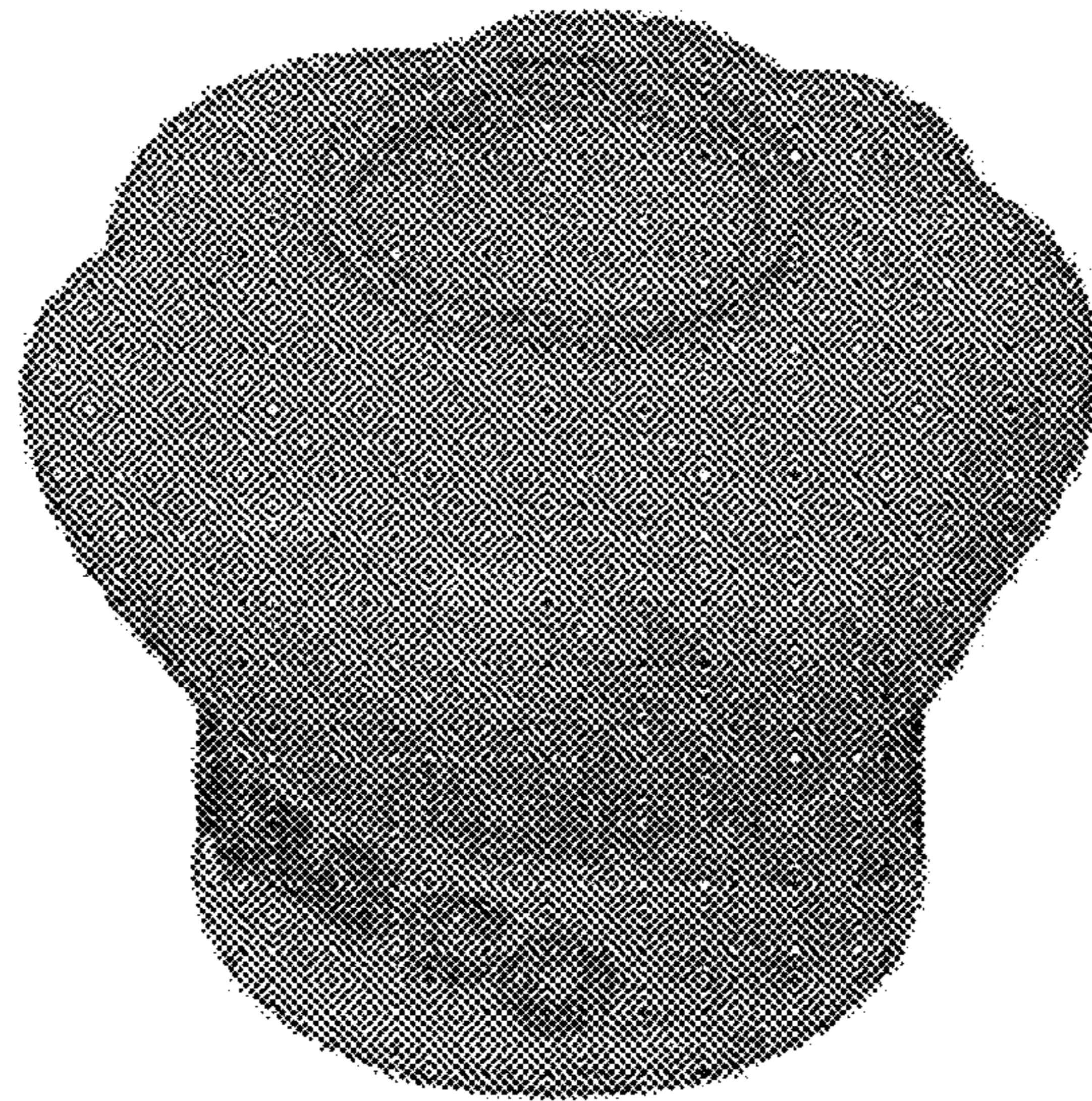


Fig. 1

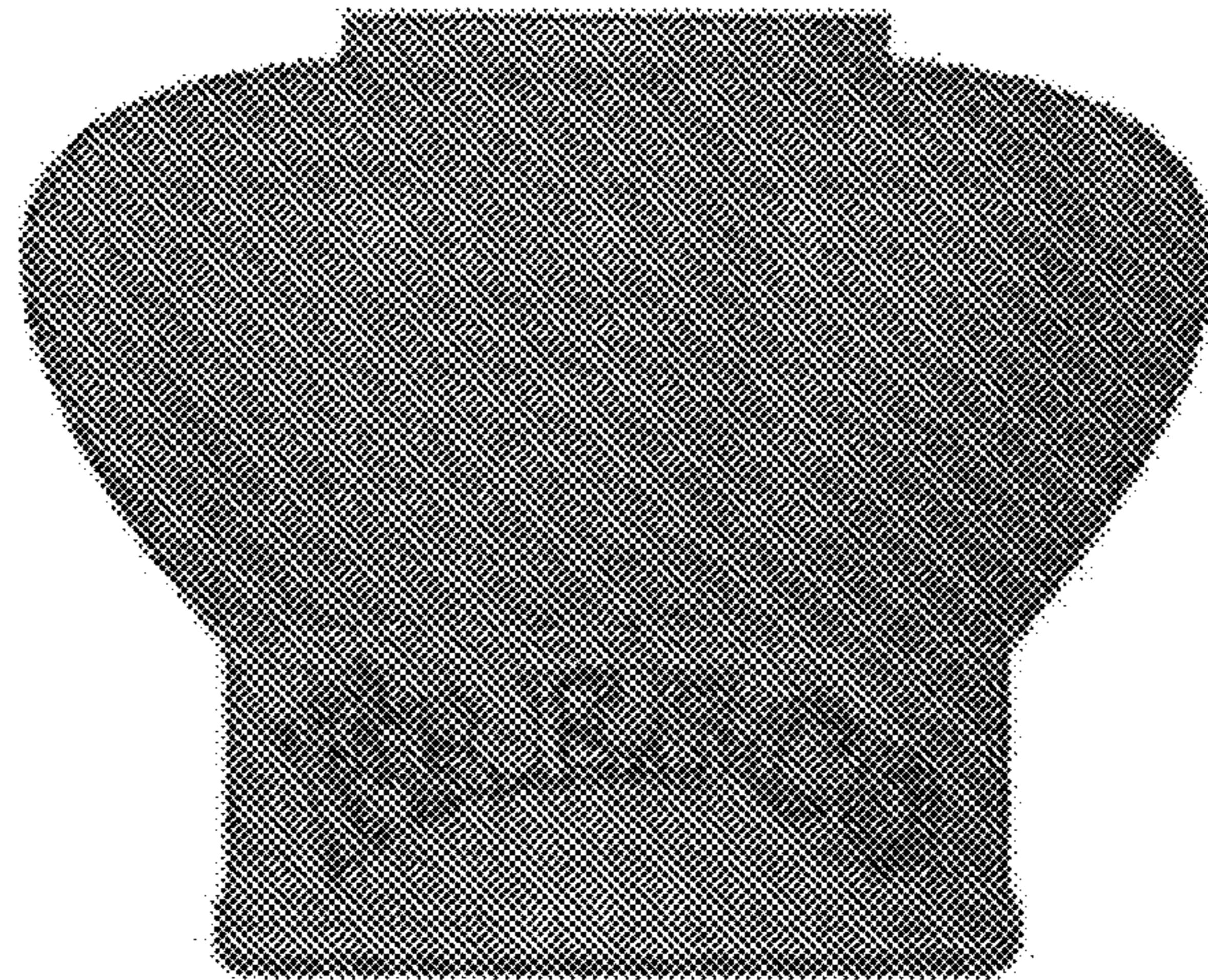


Fig. 2

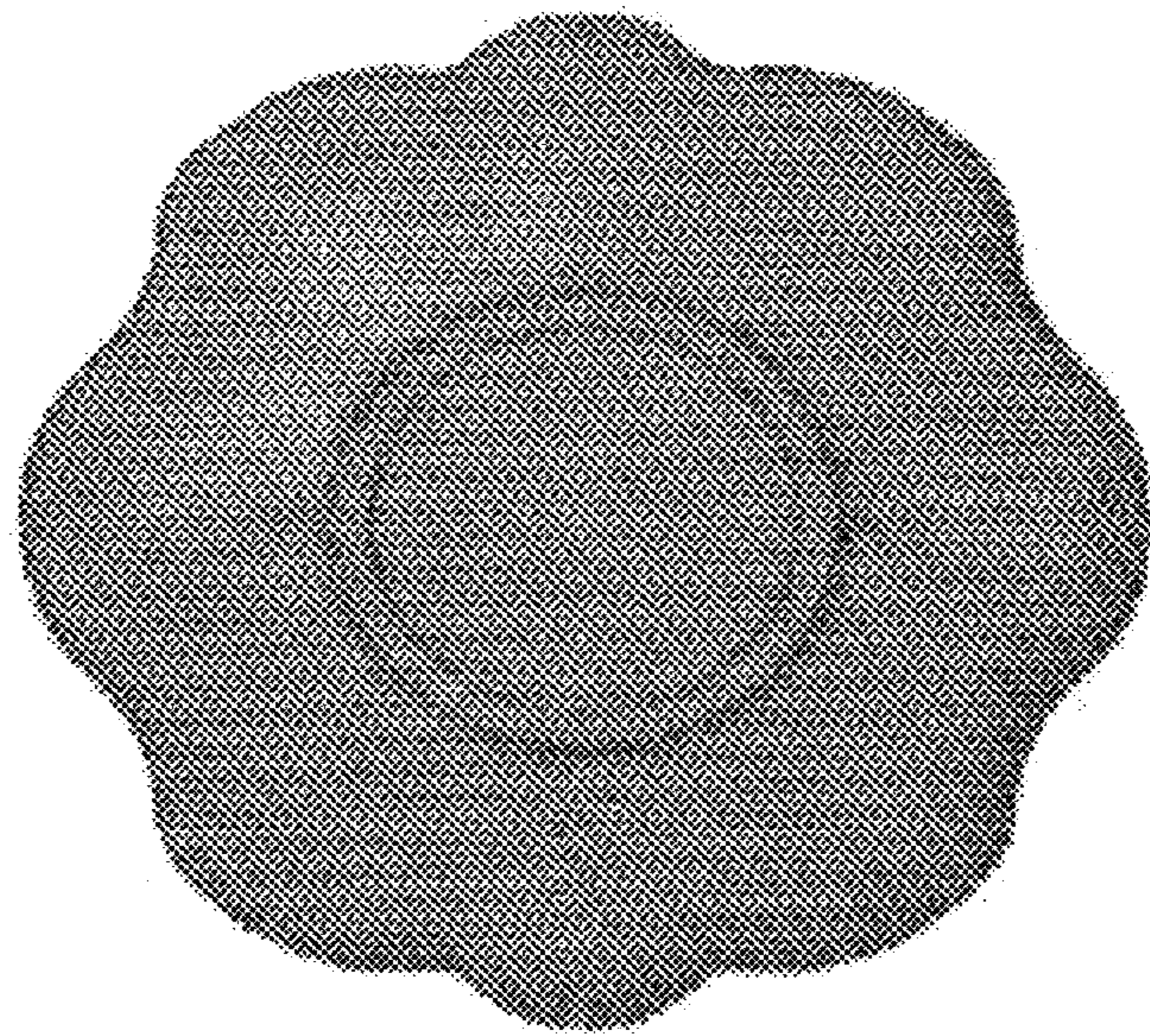


Fig. 3

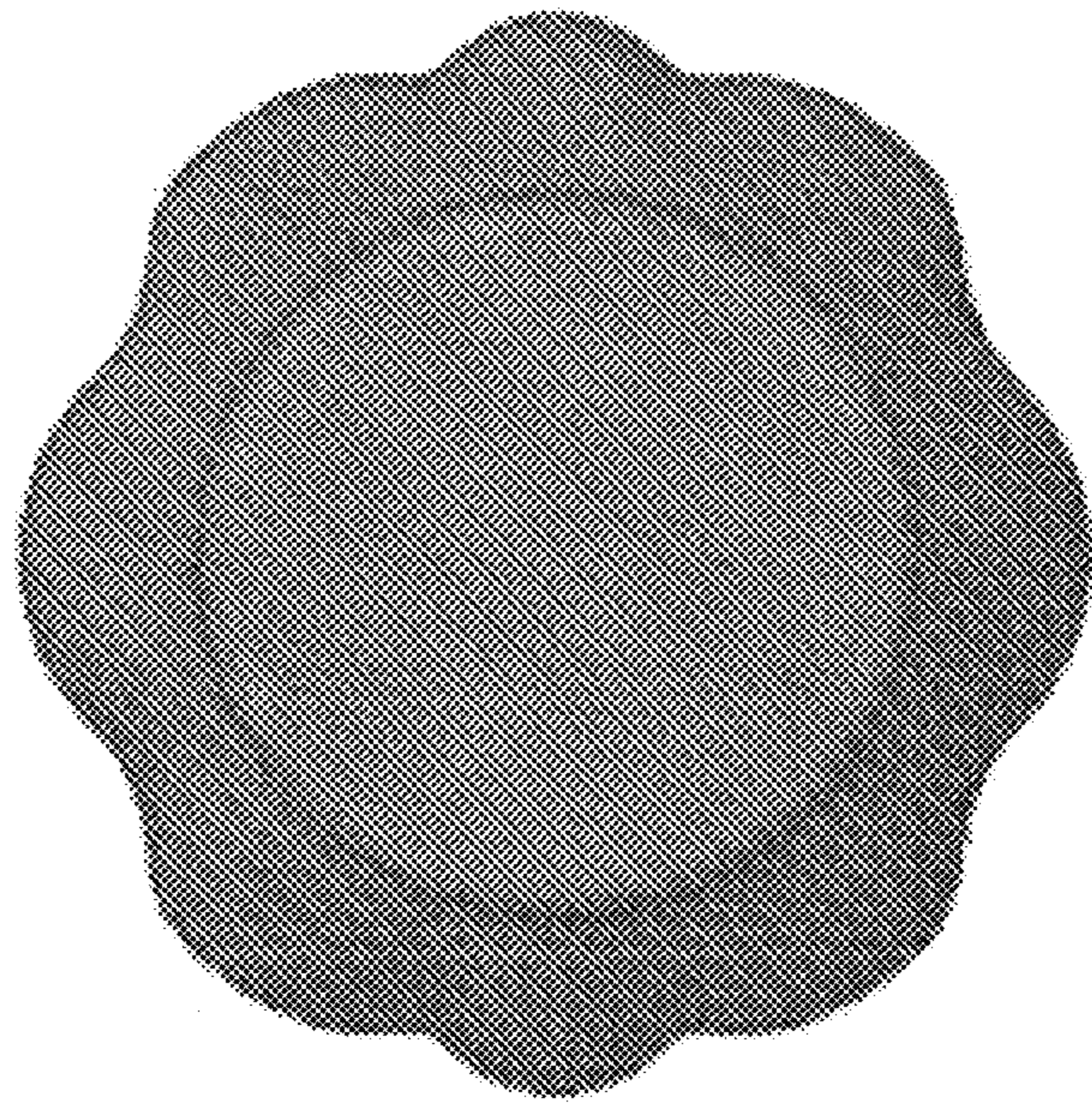


Fig. 4

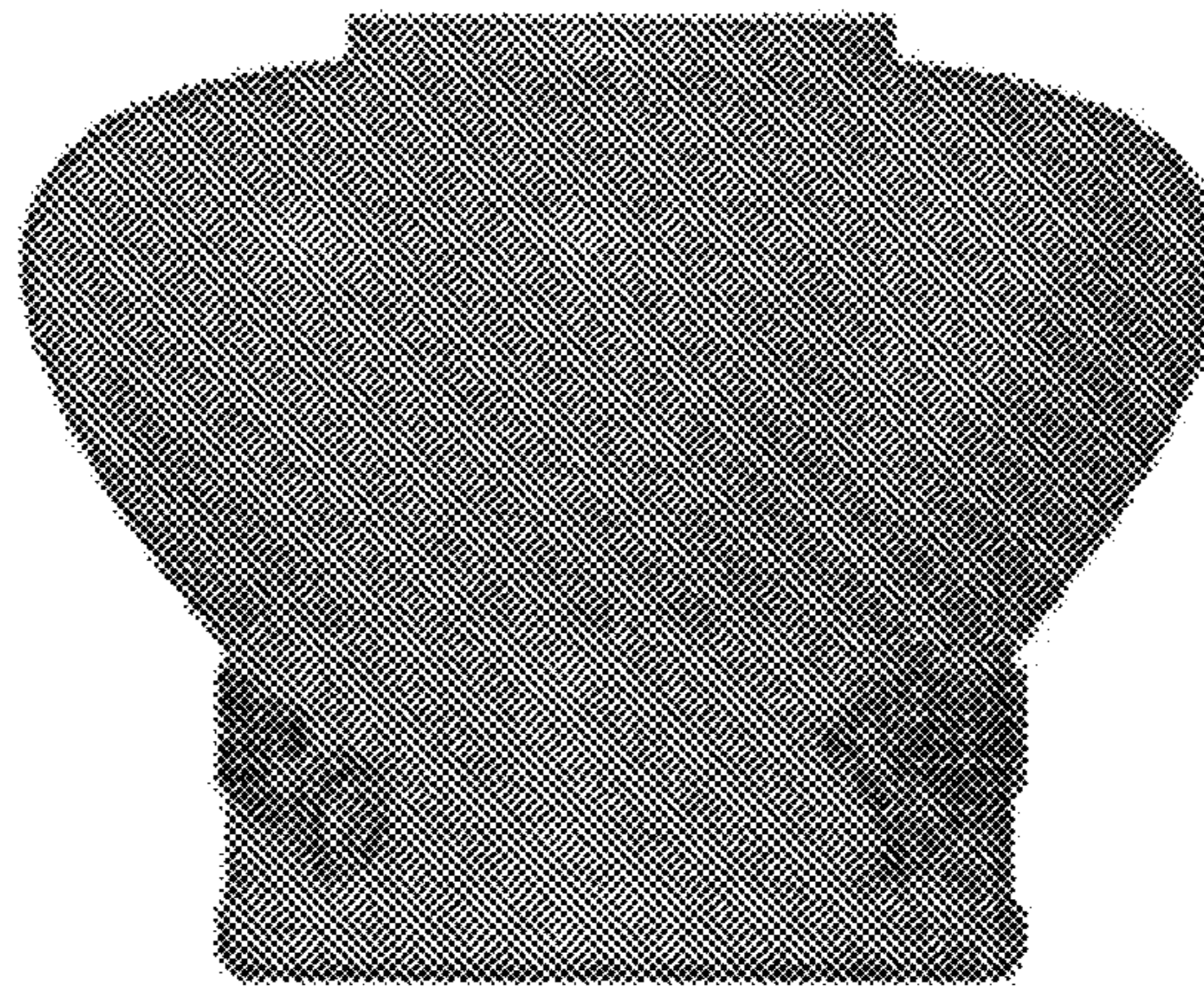


Fig. 5

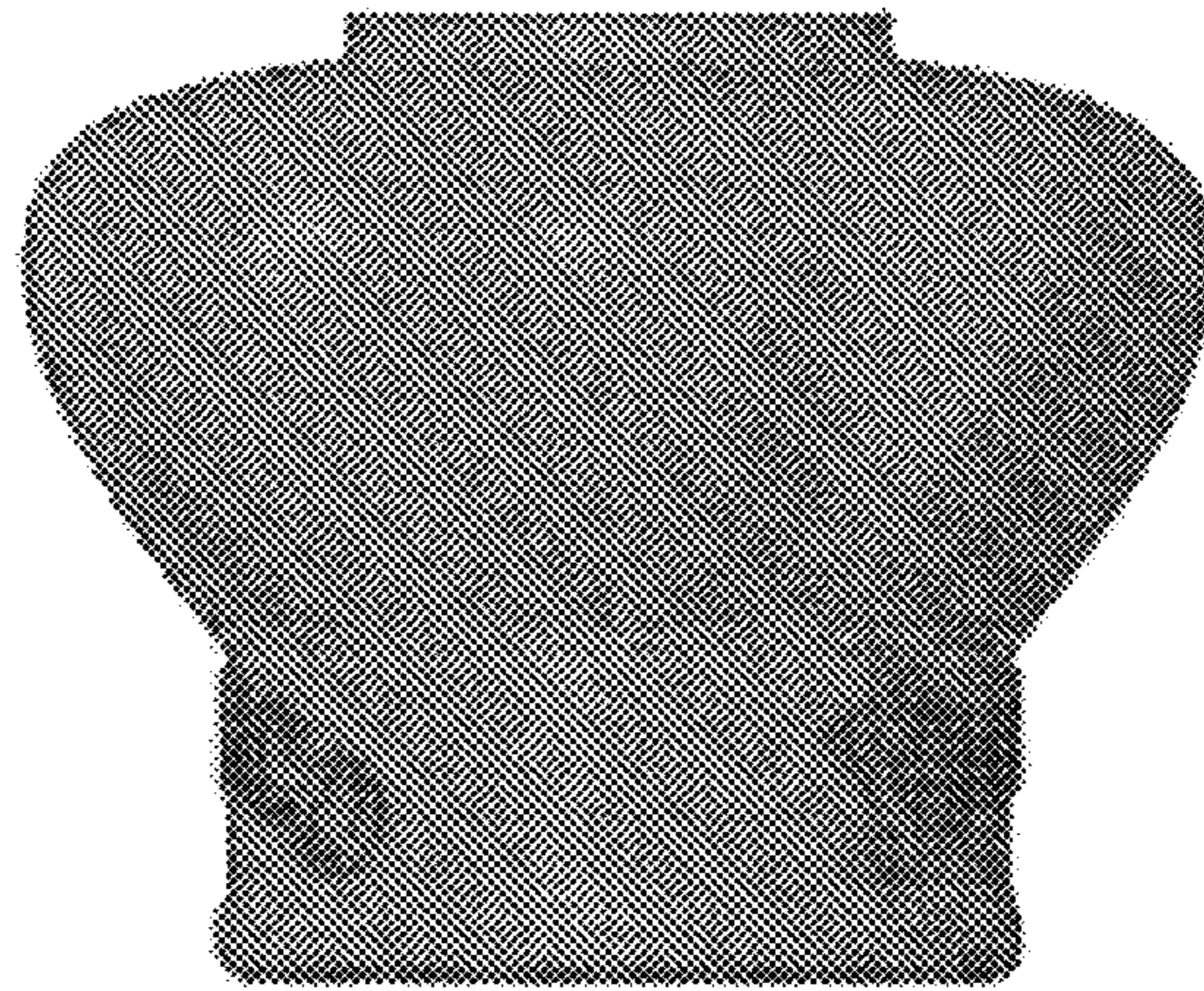


Fig. 6

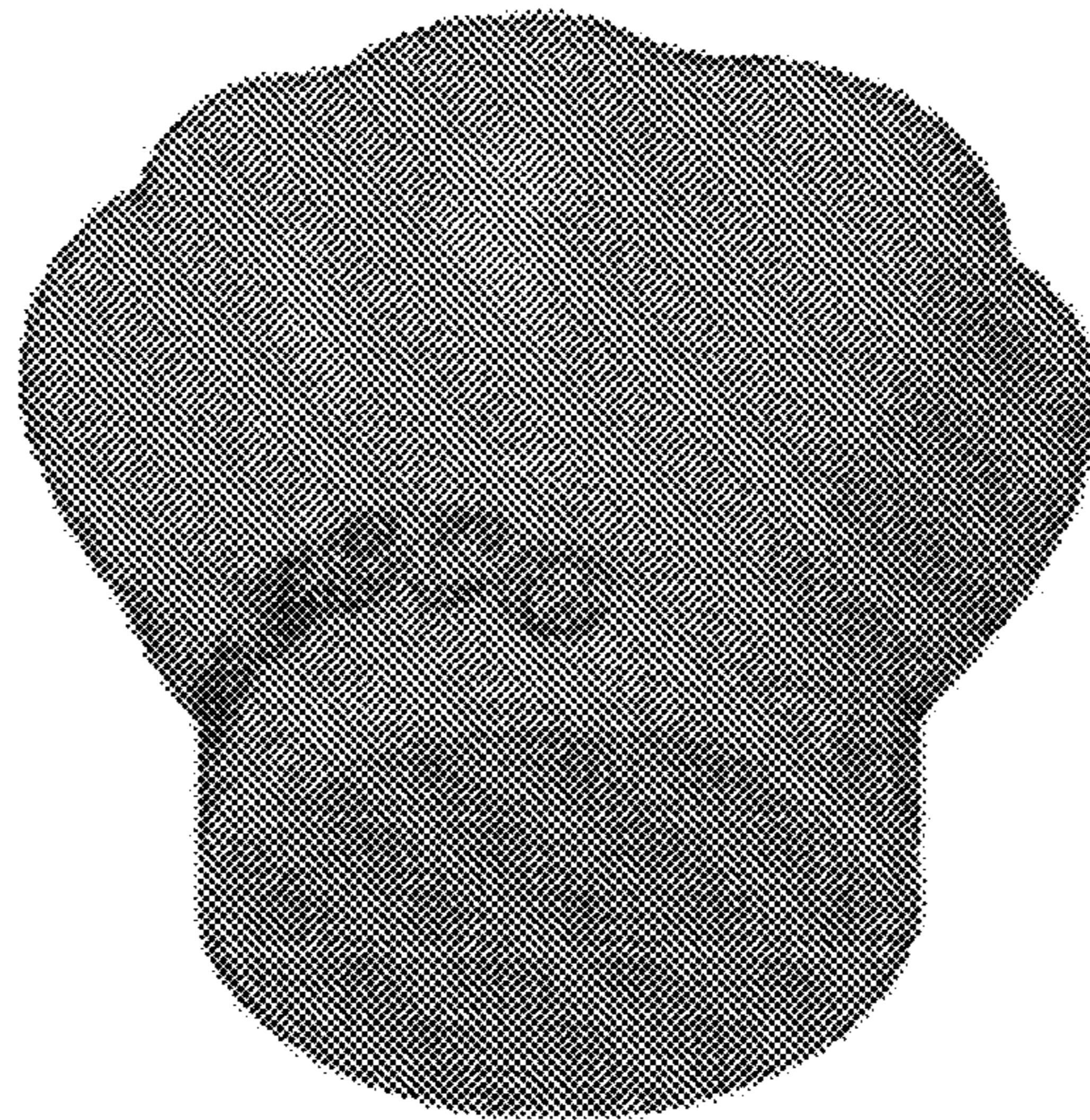


Fig. 7