



US00D905836S

(12) **United States Design Patent** (10) **Patent No.:** **US D905,836 S**
Lu (45) **Date of Patent:** **** Dec. 22, 2020**

(54) **PORTABLE AIR CONDITIONER**
(71) Applicant: **HEFEI YIXINDA ELECTRONIC
COMMERCE CO., LTD.,** Hefei (CN)
(72) Inventor: **Yuting Lu,** Hefei (CN)
(73) Assignee: **HEFEI YIXINDA ELECTRONIC
COMMERCE CO., LTD.,** Hefei (CN)

D595,395 S * 6/2009 Lewis D23/332
D835,766 S * 12/2018 Chen D23/364
D864,367 S * 10/2019 Chen D23/356
D870,873 S * 12/2019 Chen D23/356
D877,874 S * 3/2020 Liu D23/364
D879,274 S * 3/2020 Hu D23/356
D882,056 S * 4/2020 Baillie D23/364
D884,860 S * 5/2020 Zhang D23/351
D886,975 S * 6/2020 Yang D23/364
D891,598 S * 7/2020 Hernandez D23/364
D896,937 S * 9/2020 Yang D23/335

(**) Term: **15 Years**

* cited by examiner

(21) Appl. No.: **29/699,622**

Primary Examiner — Natasha Vujcic

(22) Filed: **Jul. 26, 2019**

(74) *Attorney, Agent, or Firm* — Li & Cai Intellectual
Property (USA) Office

(51) **LOC (12) Cl.** **23-04**

(57) **CLAIM**

(52) **U.S. Cl.**
USPC **D23/333**

The ornamental design for a portable air conditioner, as
shown and described.

(58) **Field of Classification Search**
USPC D23/333, 351–354, 388
CPC F24F 1/00; F24F 1/0007; F24F 1/02; F24F
1/08; F24F 1/42; F24F 1/56; F24F 1/60;
F24F 3/044; F24F 3/048; F24F 3/16;
G05D 23/1905; G05D 23/1932; G05D
23/1902; G05D 23/1931; G05B 19/0426;
G05B 19/409; G05B 15/02
See application file for complete search history.

DESCRIPTION

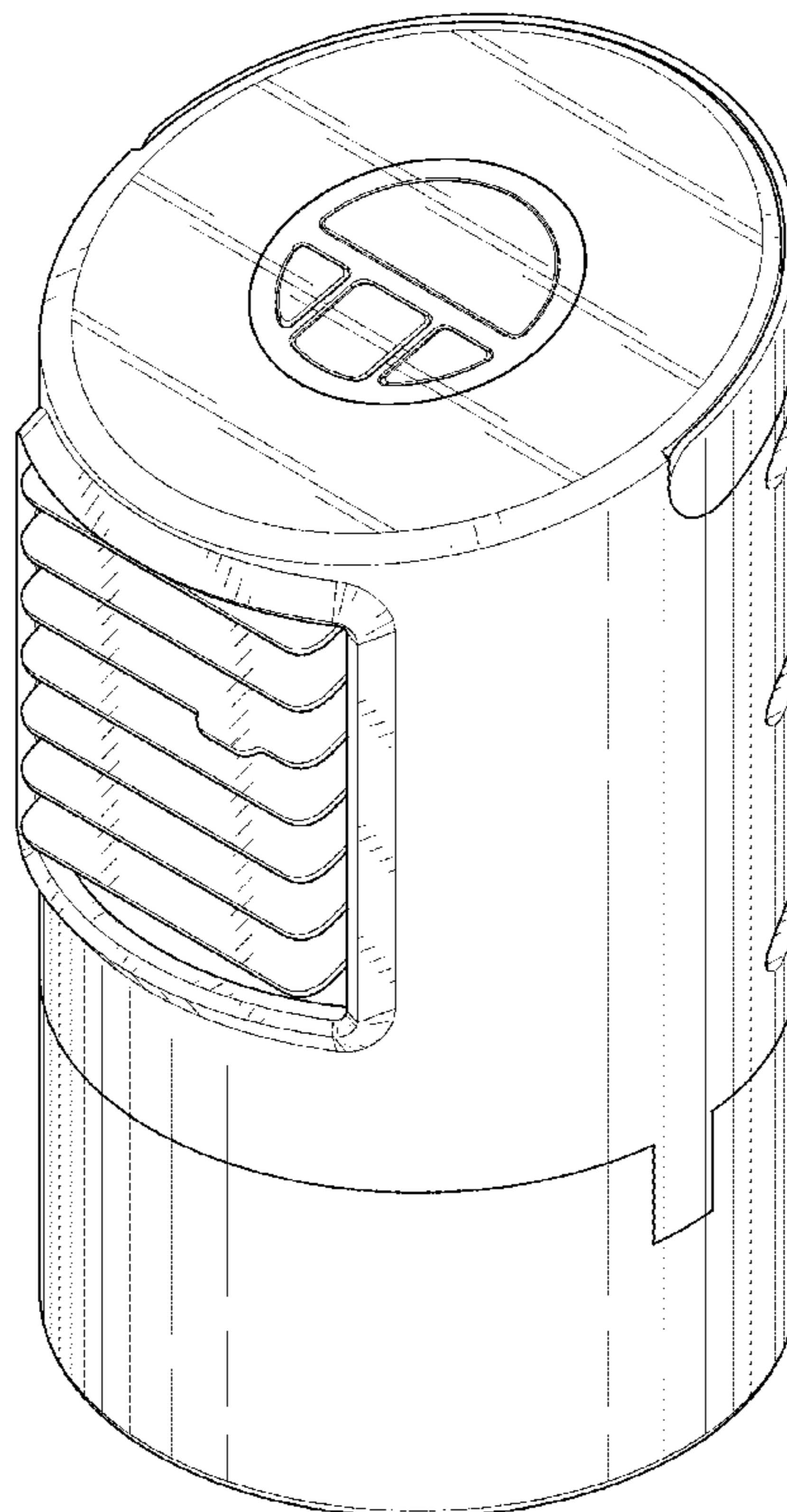
FIG. 1 is a front and top perspective view of a portable air
conditioner showing my new design;
FIG. 2 is a front elevational view thereof;
FIG. 3 is a rear elevational view thereof;
FIG. 4 is a left side elevational view thereof;
FIG. 5 is a right side elevational view thereof;
FIG. 6 is a top plan view thereof; and,
FIG. 7 is a bottom plan view thereof.
The broken lines depict portions of the portable air condi-
tioner in which the design is embodied that form no part of
the claimed design.

(56) **References Cited**

U.S. PATENT DOCUMENTS

D274,353 S * 6/1984 Hoyle D23/352
D536,429 S * 2/2007 Bushee D23/333

1 Claim, 6 Drawing Sheets



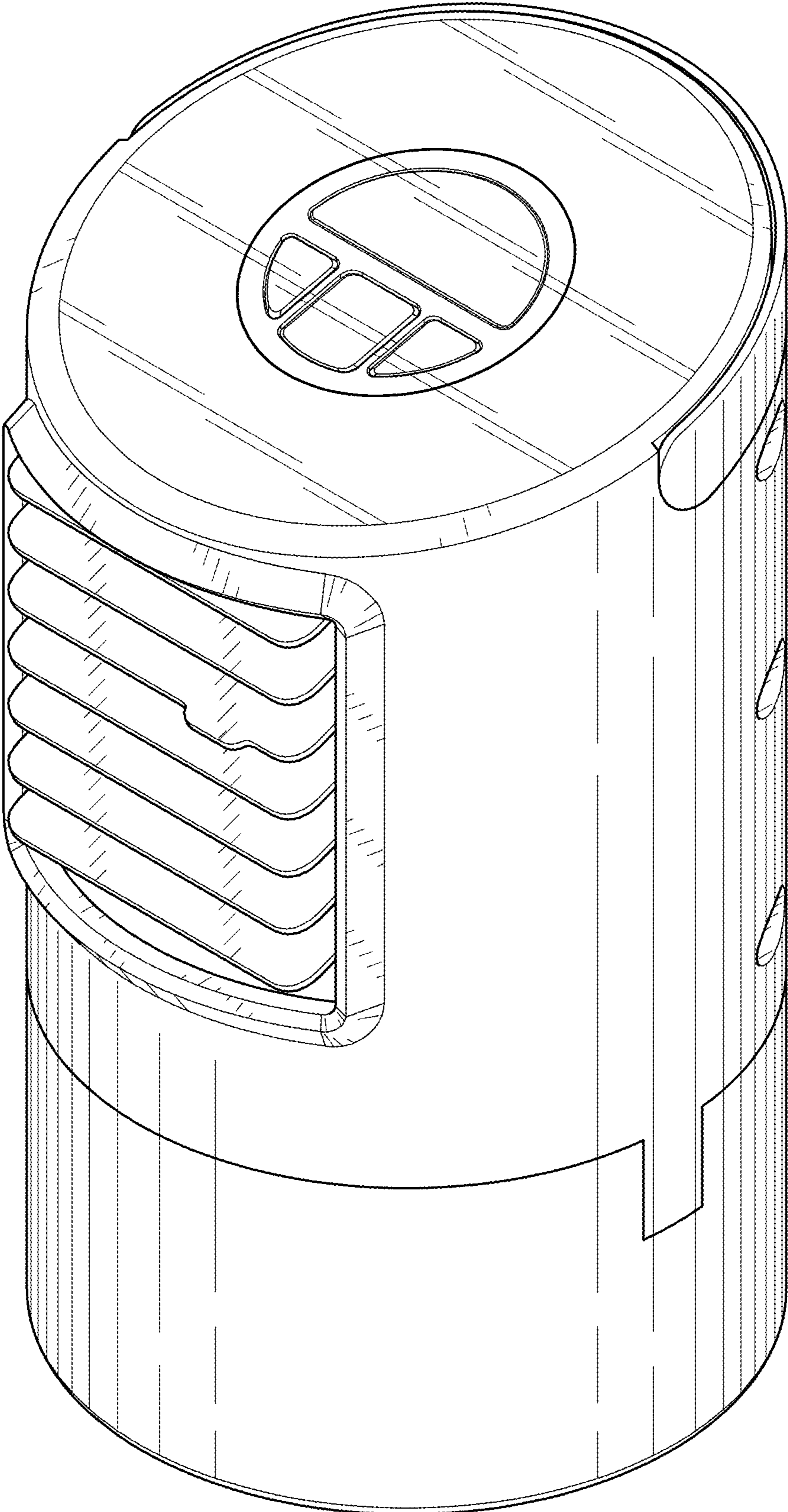


FIG. 1

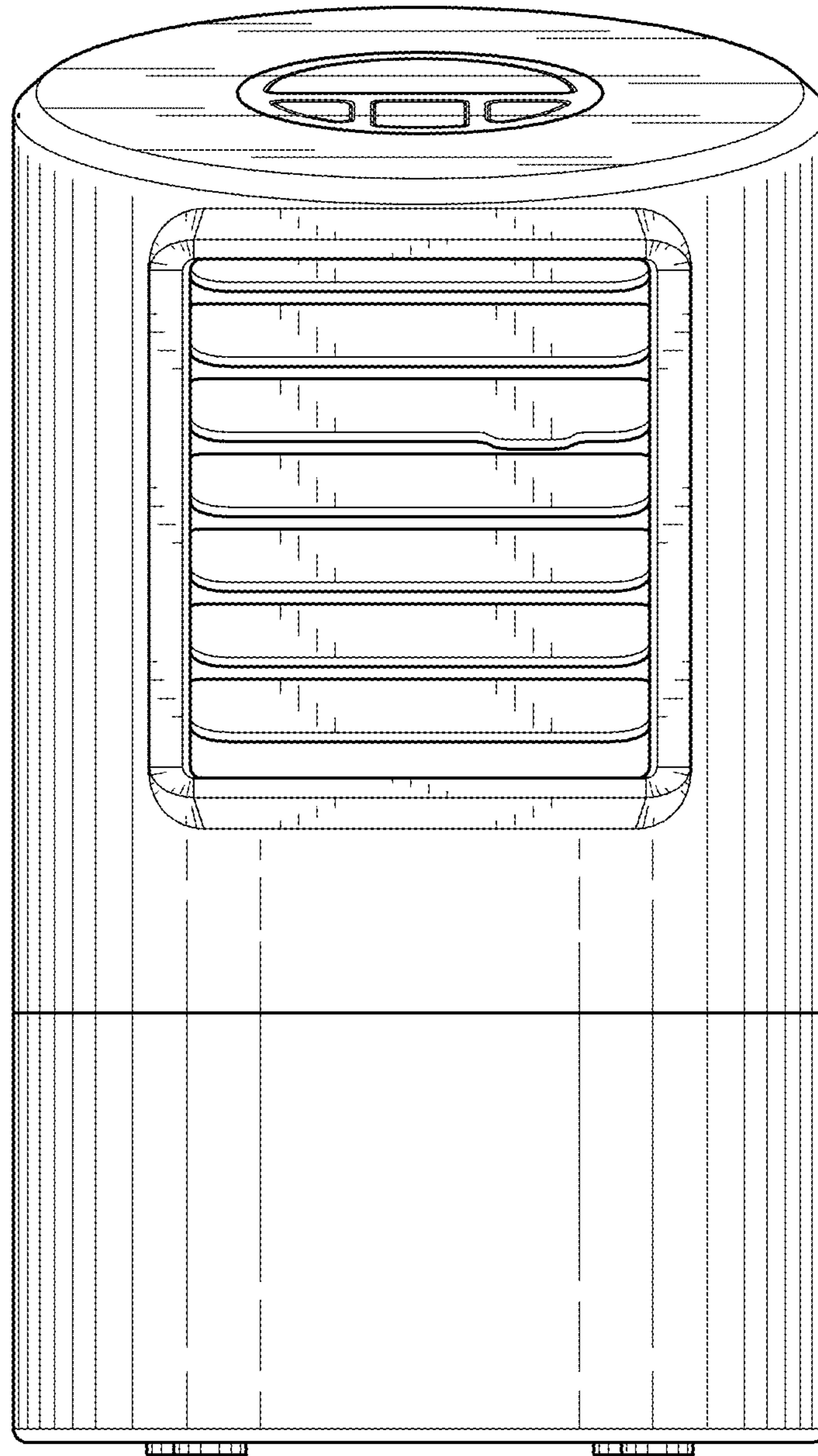


FIG. 2

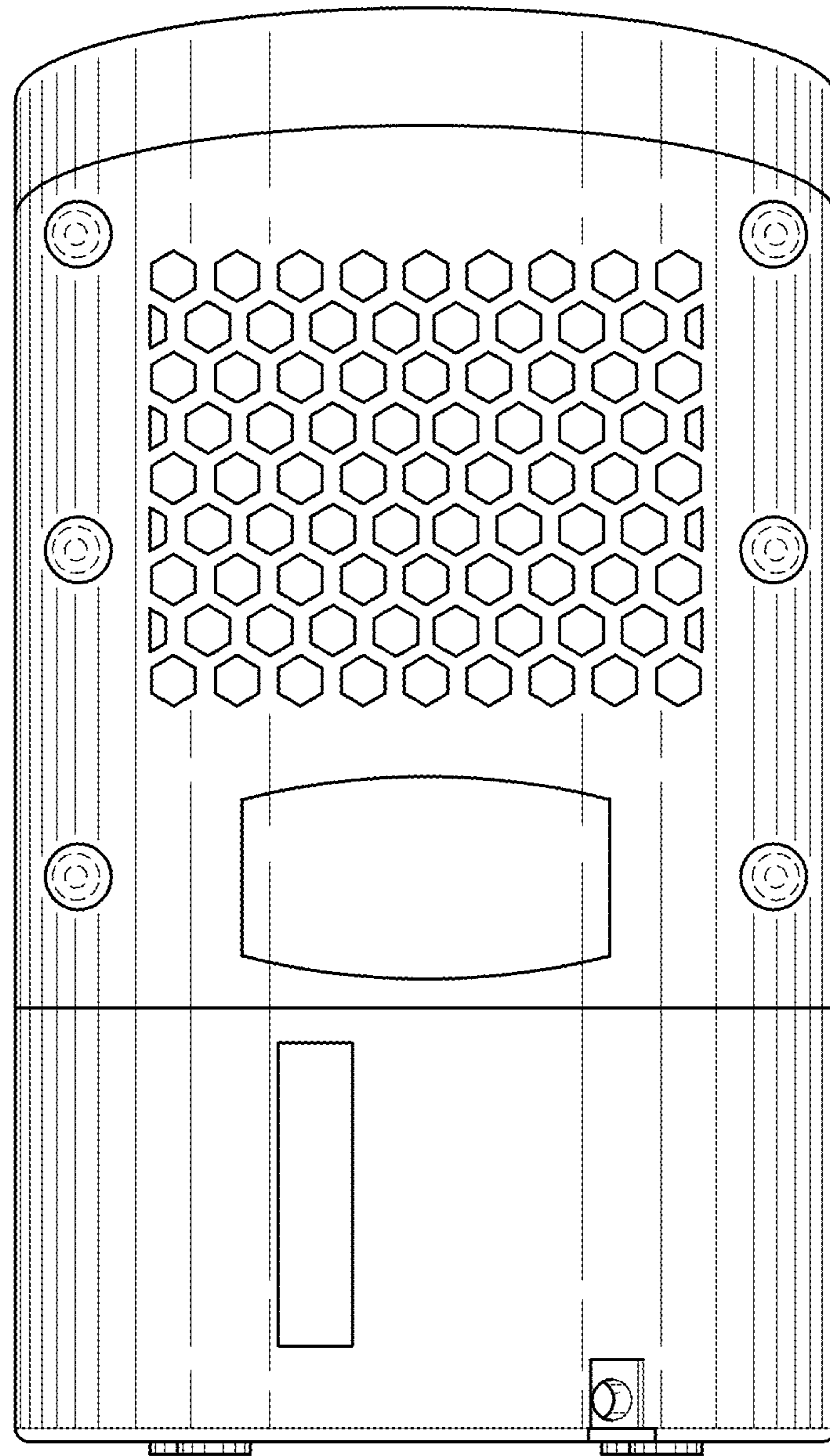


FIG. 3

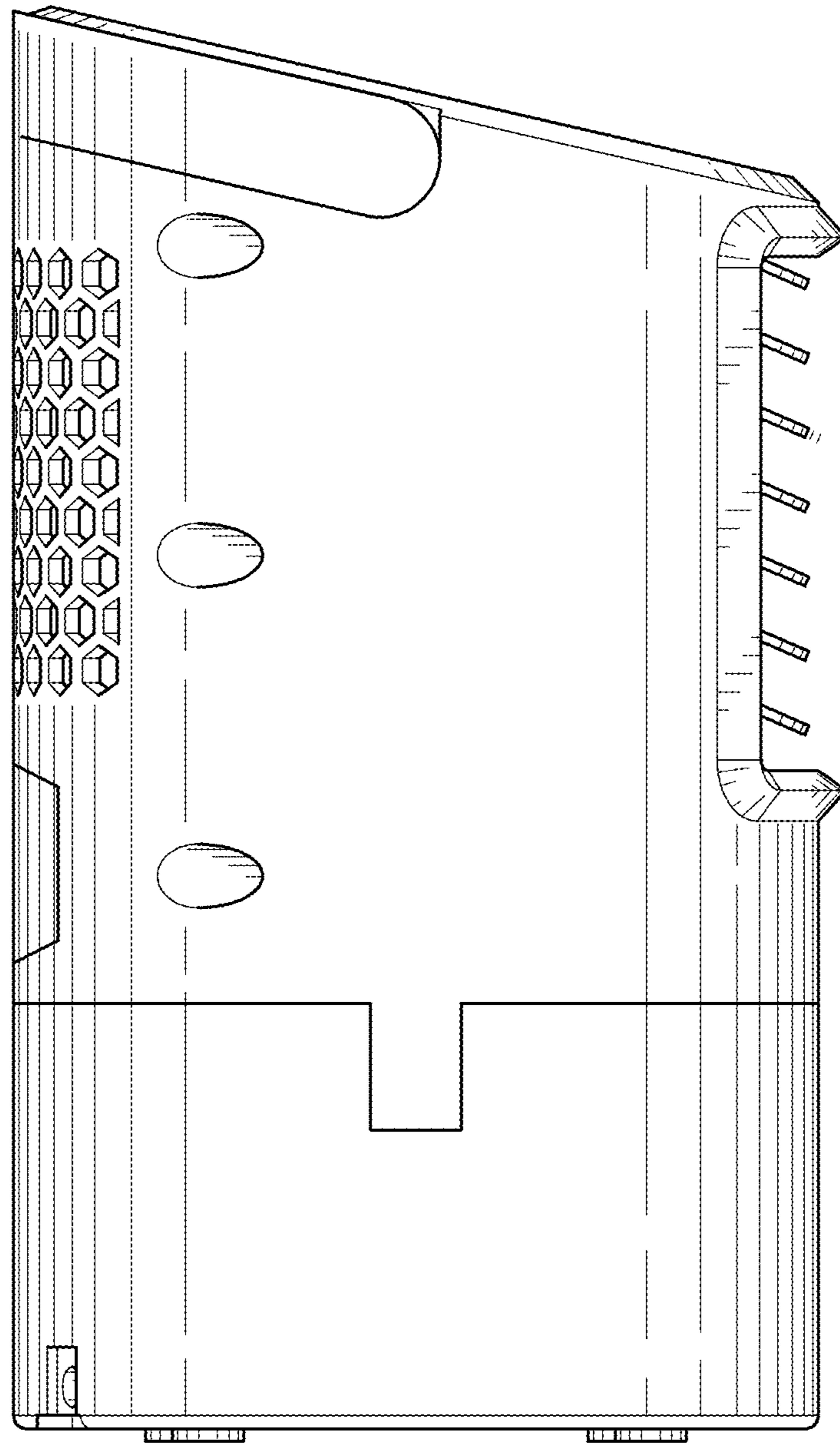


FIG. 4

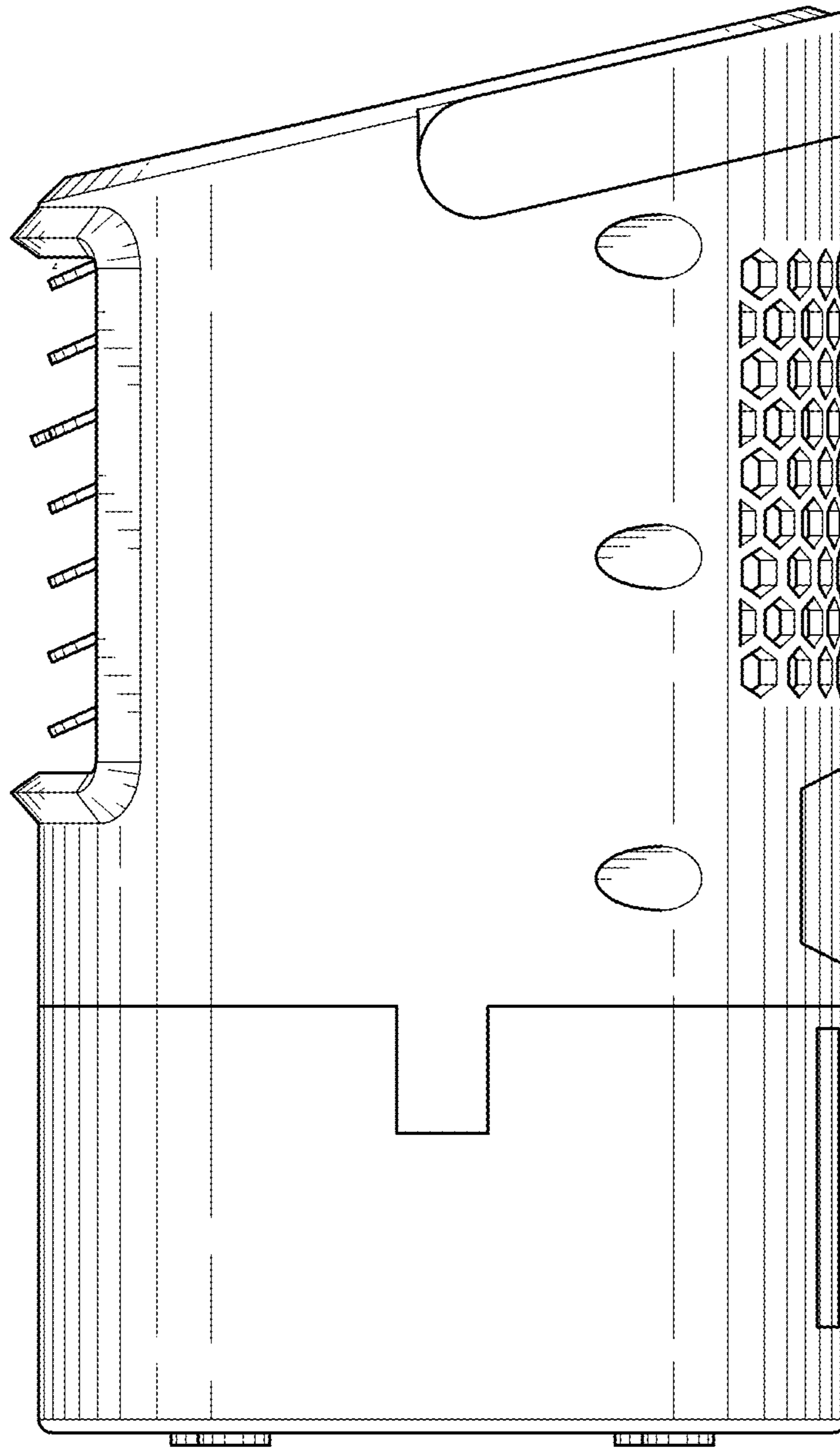


FIG. 5

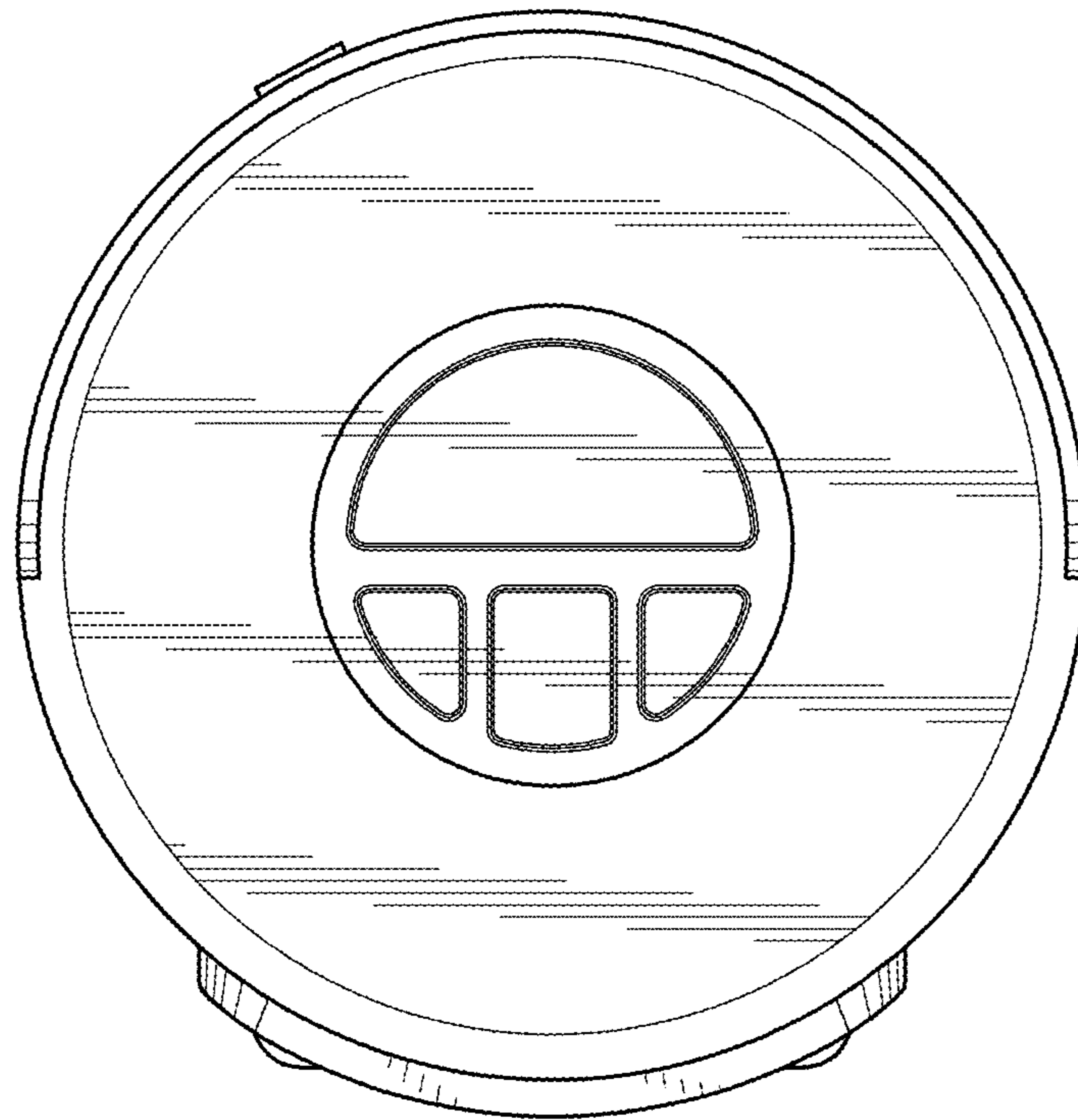


FIG. 6

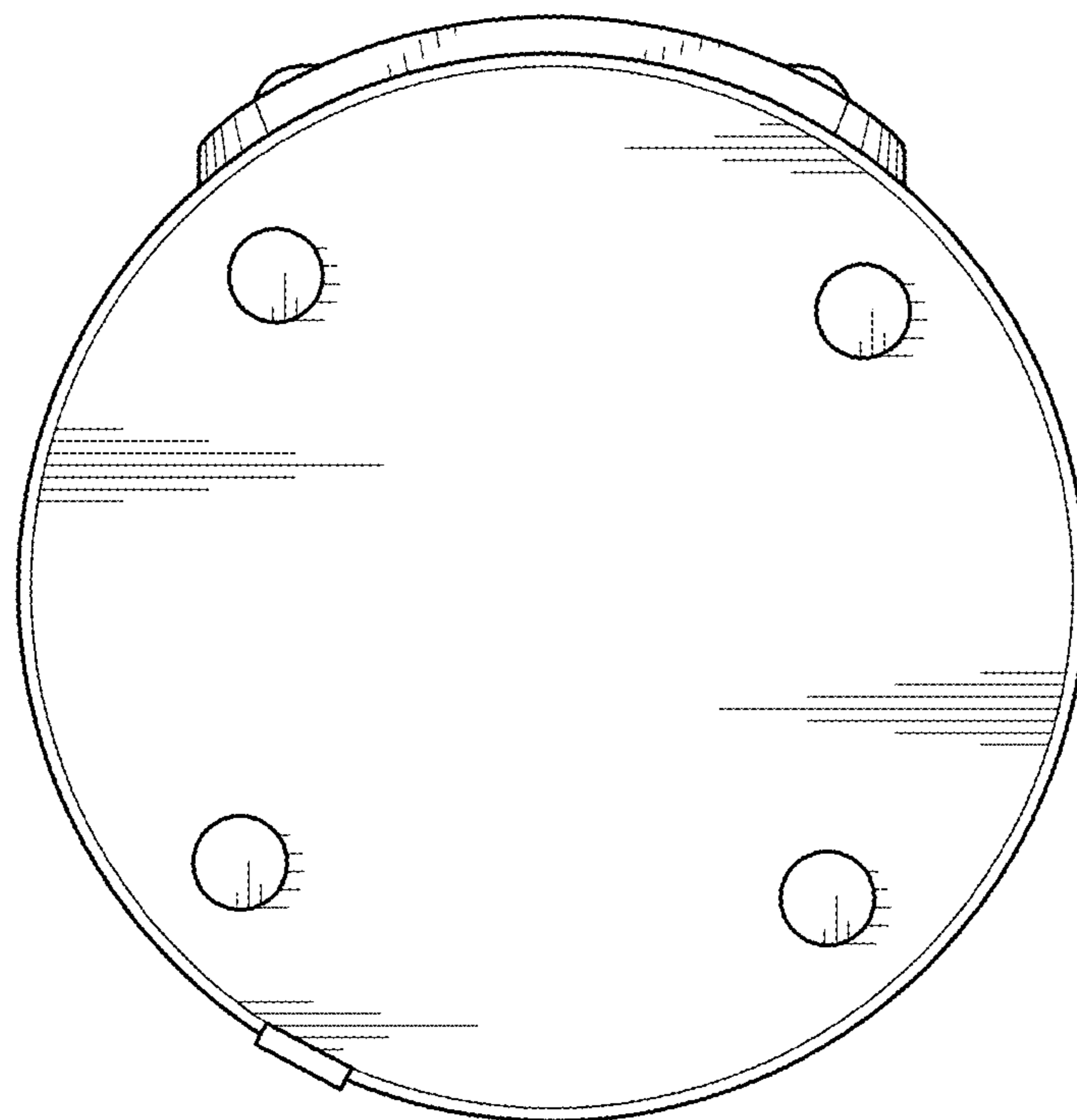


FIG. 7



US00D905836C1

(12) **EX PARTE REEXAMINATION CERTIFICATE** (12111th)
United States Patent
Lu

(10) **Number:** **US D905,836 C1**
(45) **Certificate Issued:** **Aug. 10, 2022**

(54) **PORTABLE AIR CONDITIONER**

(71) Applicant: **HEFEI YIXINDA ELECTRONIC
COMMERCE CO., LTD.**, Hefei (CN)

(72) Inventor: **Yuting Lu**, Hefei (CN)

(73) Assignee: **HEFEI YIXINDA ELECTRONIC
COMMERCE CO., LTD.**, Hefei (CN)

(51) **LOC (13) Cl.** 23-04

(52) **U.S. Cl.**
USPC **D23/333**

(58) **Field of Classification Search**
USPC D23/364, 333, 388
CPC F24F 1/04; F24F 1/00
See application file for complete search history.

(56) **References Cited**

To view the complete listing of prior art documents cited during the proceeding for Reexamination Control Number 90/014,823, please refer to the USPTO's public Patent Application Information Retrieval (PAIR) system under the Display References tab.

Primary Examiner — Kevin K Rudzinski

Reexamination Request:

No. 90/014,823, Aug. 10, 2021

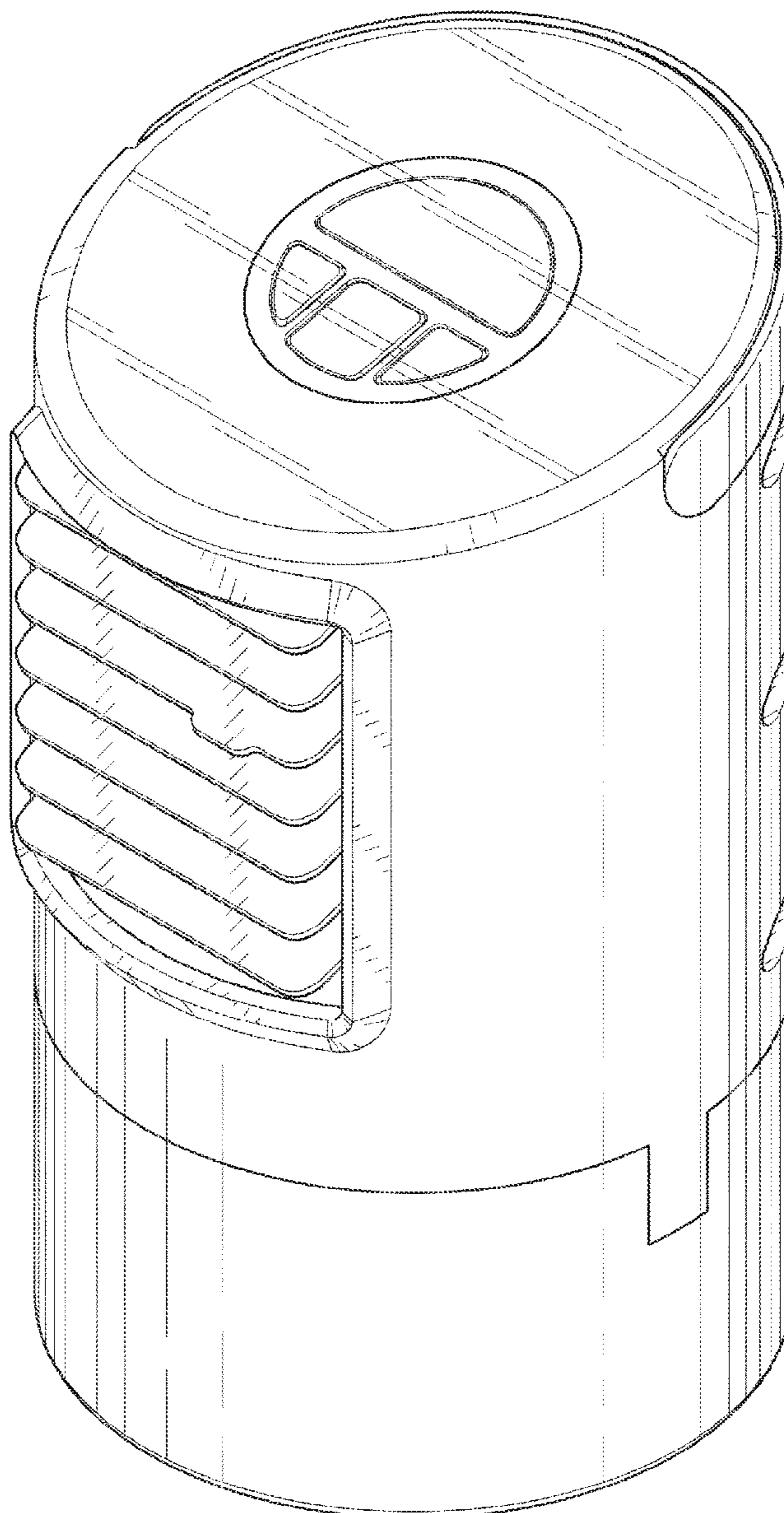
Reexamination Certificate for:

Patent No.: **Des. 905,836**

Issued: **Dec. 22, 2020**

Appl. No.: **29/699,622**

Filed: **Jul. 26, 2019**



1
EX PARTE
REEXAMINATION CERTIFICATE

THE PATENT IS HEREBY AMENDED AS 5
INDICATED BELOW.

AS A RESULT OF REEXAMINATION, IT HAS BEEN
DETERMINED THAT:

The claim 1 is cancelled. 10

* * * * *