



US00D905832S

(12) **United States Design Patent** (10) **Patent No.:** **US D905,832 S**
Gray (45) **Date of Patent:** **** Dec. 22, 2020**

- (54) **PVC PIPE FITTING**
- (71) Applicant: **Eric Gray**, Pahrump, NV (US)
- (72) Inventor: **Eric Gray**, Pahrump, NV (US)
- (**) Term: **15 Years**
- (21) Appl. No.: **29/677,370**
- (22) Filed: **Jan. 18, 2019**

D204,536 S *	4/1966	Maddox	D23/221
D256,110 S	7/1980	Dunbar	
4,391,551 A *	7/1983	Belcher	E03C 1/122
			138/37
D315,788 S *	3/1991	Towsley	D23/263
5,509,148 A *	4/1996	Steele	E03C 1/122
			137/240
5,868,535 A *	2/1999	Ladouceur	B23P 19/062
			411/107
D440,149 S	4/2001	Miyata	
D449,515 S	10/2001	Sato	
D453,553 S *	2/2002	Maerz	D23/263
D467,502 S	12/2002	Keller	
D474,689 S	5/2003	Dinsky et al.	
7,287,944 B2	10/2007	Ladouceur	
D569,252 S	5/2008	Borsari	
D638,521 S	5/2011	Matusche	
D658,274 S	4/2012	Barnard	
D696,614 S *	12/2013	Lee	D12/194
D733,859 S *	7/2015	Hsiao	D23/366
D776,797 S *	1/2017	Bednarz	D23/263

Related U.S. Application Data

- (62) Division of application No. 29/523,463, filed on Apr. 9, 2015, now abandoned.
- (51) **LOC (12) Cl.** **23-01**
- (52) **U.S. Cl.**
USPC **D23/266**; D23/259; D23/262; D23/263
- (58) **Field of Classification Search**
USPC D23/259, 262-266, 268; 285/179, 179.1, 285/183, 124.1, 120.1, 148.14, 148.19, 285/148.21, 345, 388, 390, 377, 148.2, 285/328, 921, 131.1, 132.1, 130.1, 285/133.11; 137/247.51
CPC ... F16L 21/00; F16L 9/16; F16L 59/11; F16L 43/002
See application file for complete search history.

* cited by examiner

Primary Examiner — Amy C Wierenga
(74) *Attorney, Agent, or Firm* — Weide & Miller, Ltd.

(57) **CLAIM**

The ornamental design for a PVC pipe fitting, as shown and described.

(56) **References Cited**

U.S. PATENT DOCUMENTS

494,671 A *	4/1893	Dudley-Cooper	F16L 58/182
			285/55
500,941 A *	7/1893	Perkins	F16B 7/0446
			403/190
1,787,154 A	12/1930	Hughes	
2,292,328 A *	8/1942	Sisk	E03C 1/122
			285/125.1
2,533,720 A *	12/1950	Danel	F16L 41/023
			285/132.1
3,216,302 A	11/1965	Kluth	

DESCRIPTION

FIG. 1 is a perspective view of a PVC pipe fitting showing my new design;
FIG. 2 is a top view thereof;
FIG. 3 is a side view thereof; and,
FIG. 4 is a bottom view thereof.
The broken lines indicate unclaimed portions of the article and form no part of the claimed design.

1 Claim, 1 Drawing Sheet

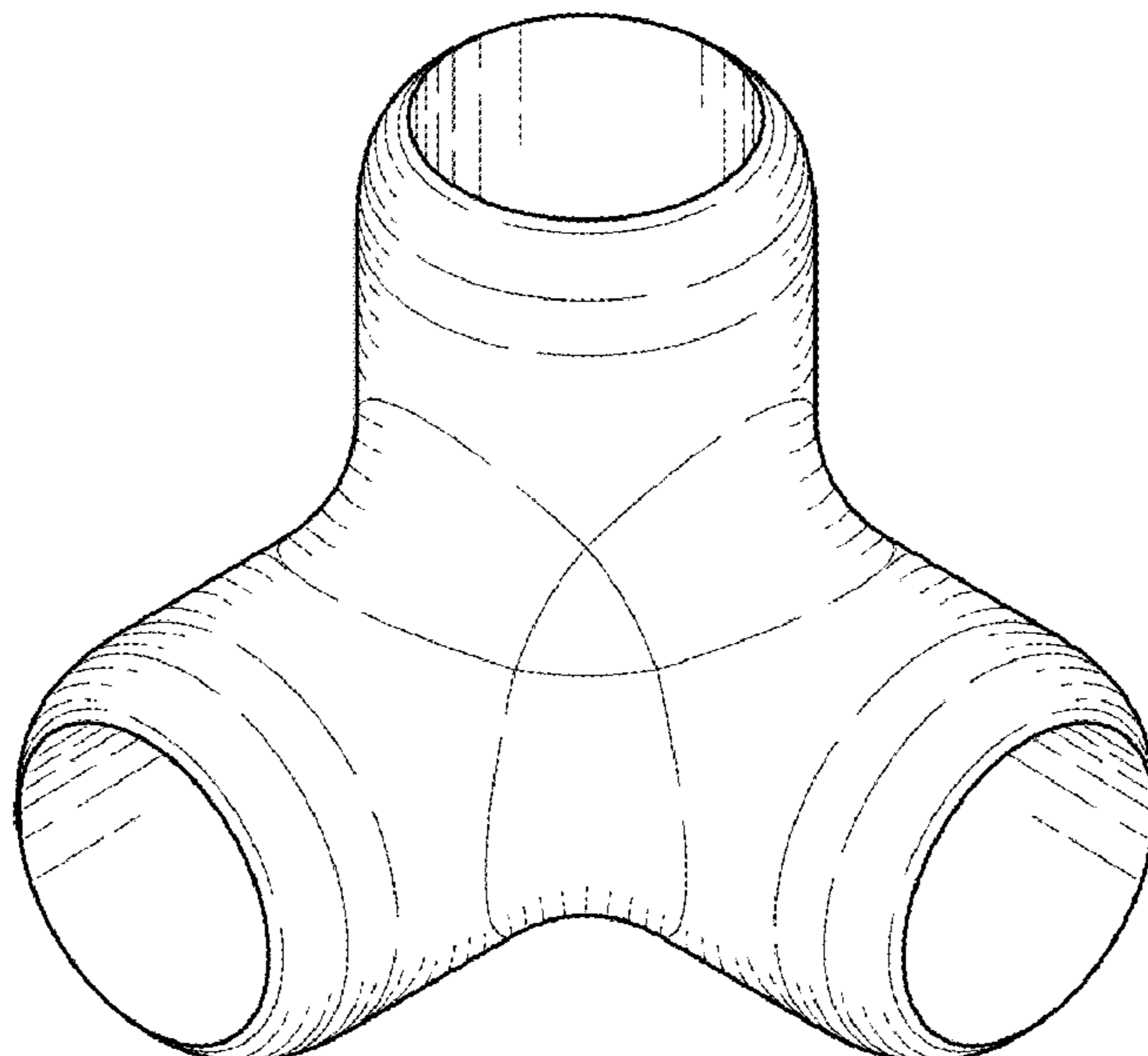


FIG. 1

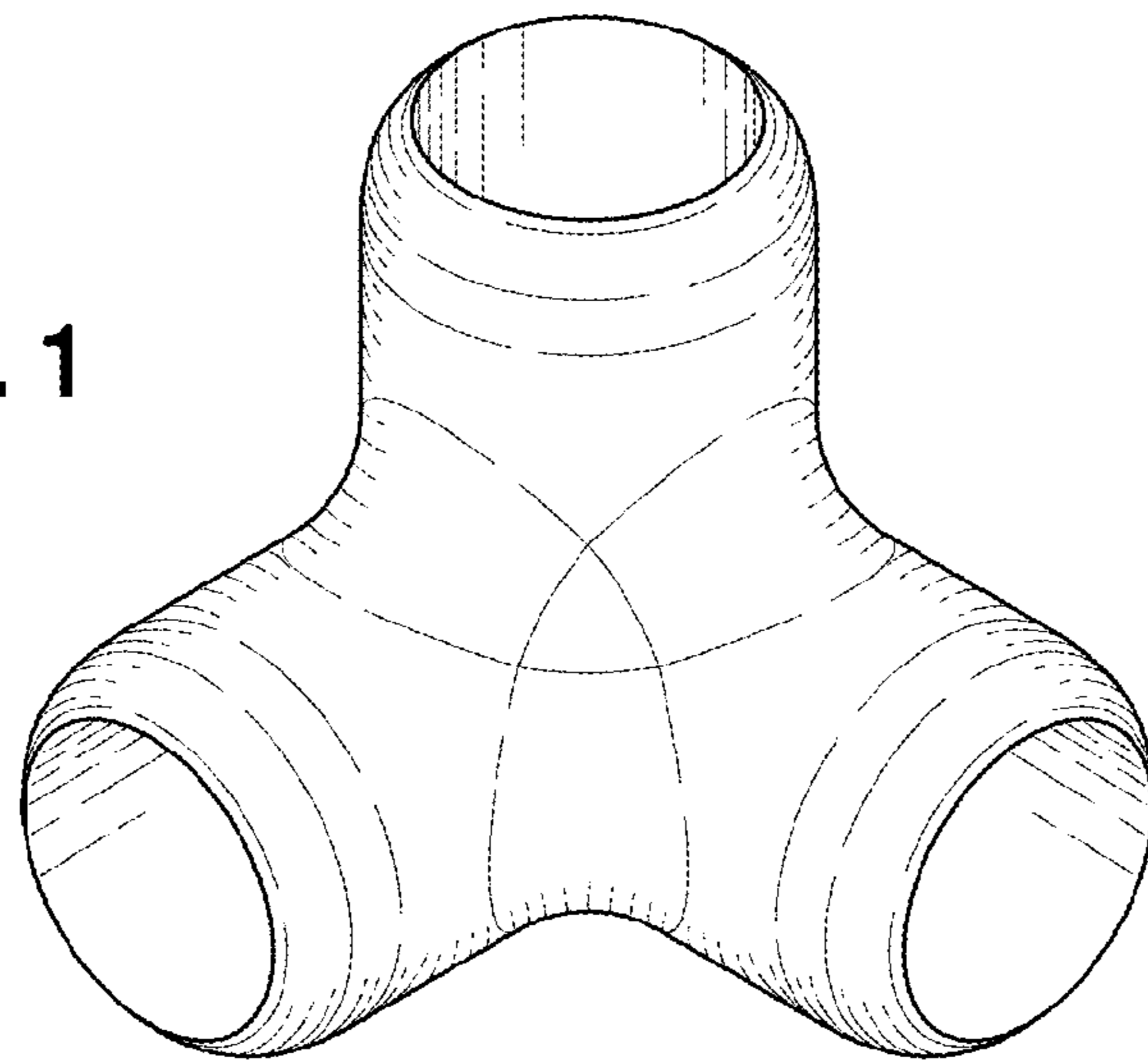


FIG. 2

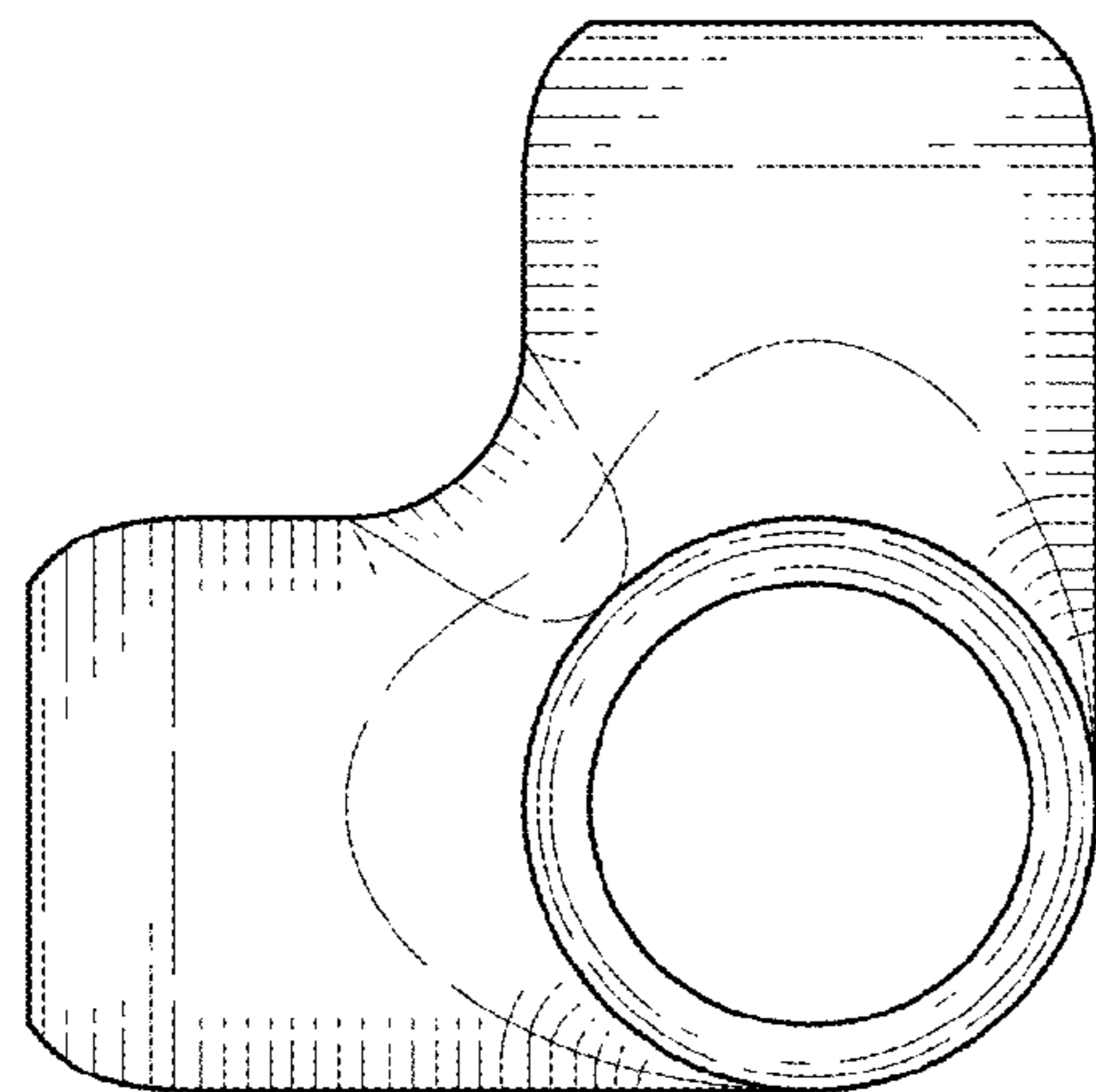
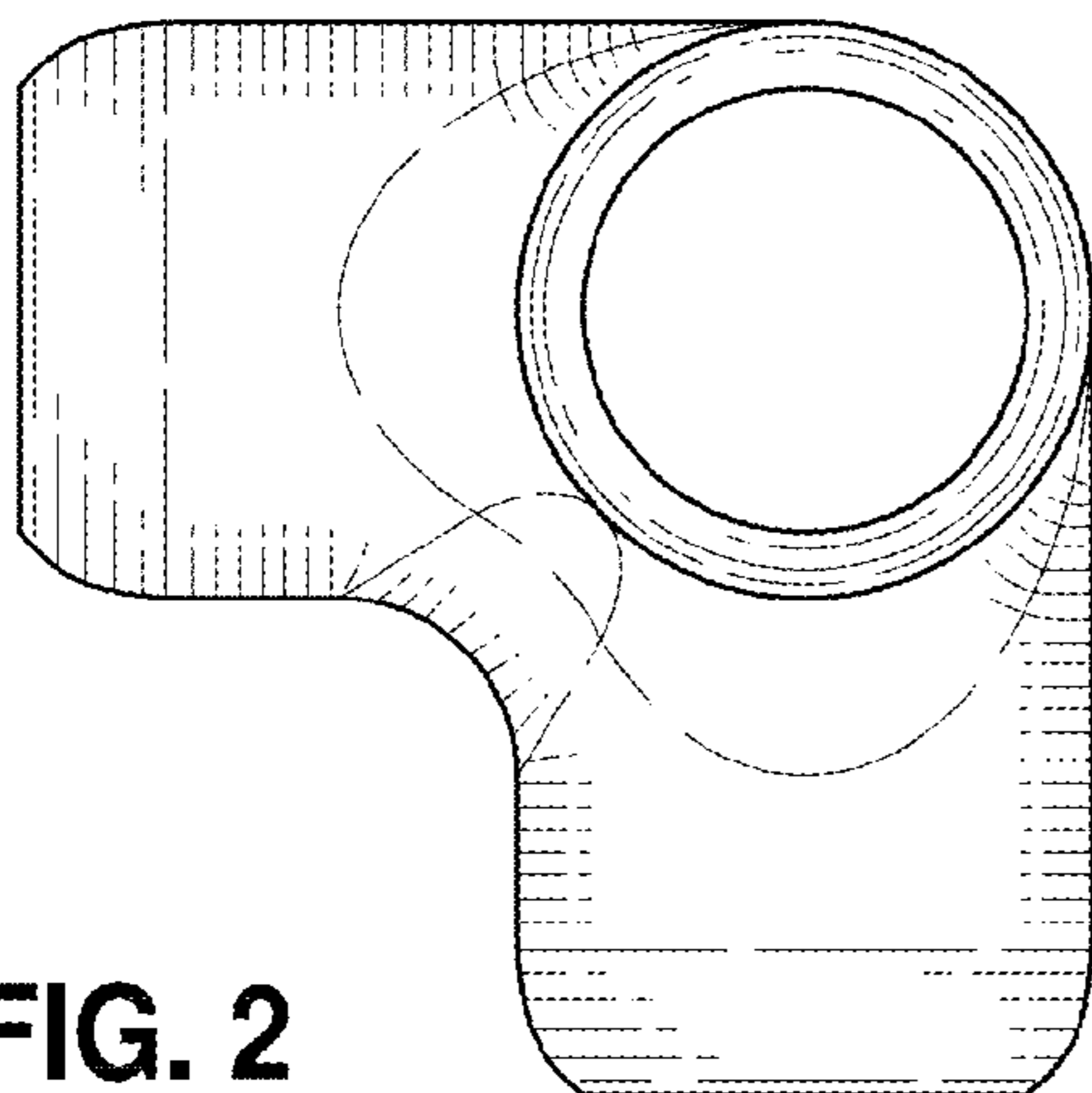


FIG. 3

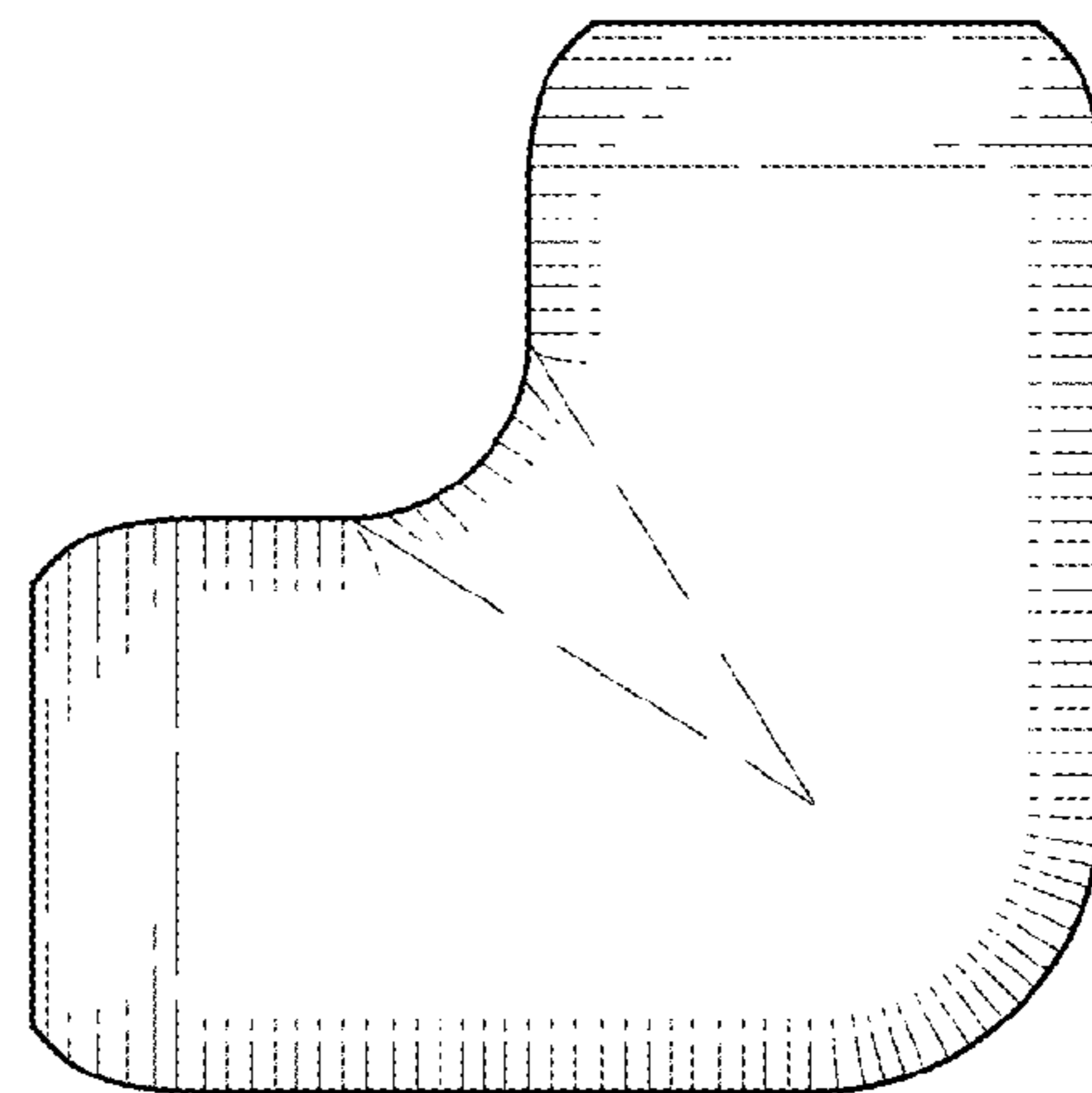


FIG. 4