



US00D905831S

(12) **United States Design Patent** (10) **Patent No.:** **US D905,831 S**  
**Provenzano et al.** (45) **Date of Patent:** **\*\* \*Dec. 22, 2020**

(54) **CONDUIT COUPLER**

(71) Applicant: **ELECTRONIC CUSTOM DISTRIBUTORS, INC.**, Houston, TX (US)

(72) Inventors: **Charles J. Provenzano**, Houston, TX (US); **Michael Leung**, Missouri City, TX (US)

(73) Assignee: **Electronic Custom Distributors, Inc.**, Houston, TX (US)

(\*) Notice: This patent is subject to a terminal disclaimer.

(\*\*) Term: **15 Years**

(21) Appl. No.: **29/669,313**

(22) Filed: **Nov. 7, 2018**

(51) **LOC (12) Cl.** ..... **23-01**

(52) **U.S. Cl.**  
USPC ..... **D23/262**

(58) **Field of Classification Search**  
USPC ..... D23/259–260, 262, 264–266; D8/382, D8/387, 394, 396–397; D13/133, 50, D13/154–156; 285/345, 377, 388, 390; 439/246, 256–257, 483  
See application file for complete search history.

(56) **References Cited**

U.S. PATENT DOCUMENTS

|                |         |             |       |              |
|----------------|---------|-------------|-------|--------------|
| D299,267 S *   | 1/1989  | Roman       | ..... | D23/262      |
| D363,767 S *   | 10/1995 | Swaim       | ..... | D23/260      |
| 7,364,450 B2 * | 4/2008  | Hafner      | ..... | H01R 13/622  |
|                |         |             |       | 439/253      |
| 7,503,788 B2 * | 3/2009  | Holterhoff  | ..... | H01R 13/622  |
|                |         |             |       | 439/256      |
| D701,494 S *   | 3/2014  | Errato, Jr. | ..... | H01R 13/5845 |
|                |         |             |       | D13/154      |
| D774,628 S *   | 12/2016 | Provenzano  | ..... | D23/262      |
| D834,531 S *   | 11/2018 | Maroney     | ..... | D13/154      |

|                   |         |               |       |            |
|-------------------|---------|---------------|-------|------------|
| D839,213 S *      | 1/2019  | Maroney       | ..... | D13/154    |
| D852,334 S *      | 6/2019  | Sfredel       | ..... | D23/260    |
| D859,973 S *      | 9/2019  | Foerster, Jr. | ..... | D8/397     |
| D880,423 S *      | 4/2020  | Obata         | ..... | D13/133    |
| 2012/0200081 A1 * | 8/2012  | Reznar        | ..... | F16L 33/00 |
|                   |         |               |       | 285/313    |
| 2019/0330947 A1 * | 10/2019 | Mulhern       | ..... | E21B 23/10 |

OTHER PUBLICATIONS

DCPC100ADC DirectConnect 1" Conduit Adapter to 2" Nut Coupler; ECD, Inc Website Copyright Date 2020; Visited Online Jun. 11, 2020 ; <https://www.ecdcom.com/index.jsp?path=product&part=34817&ds=dept&process=search&qdx=0&ID=%2CNetwork%2CTelecom%2Cdept-1M5> (Year: 2020).\*

\* cited by examiner

Primary Examiner — Amy C Wierenga

(74) Attorney, Agent, or Firm — Mark E. Scott; Dickinson Wright PLLC

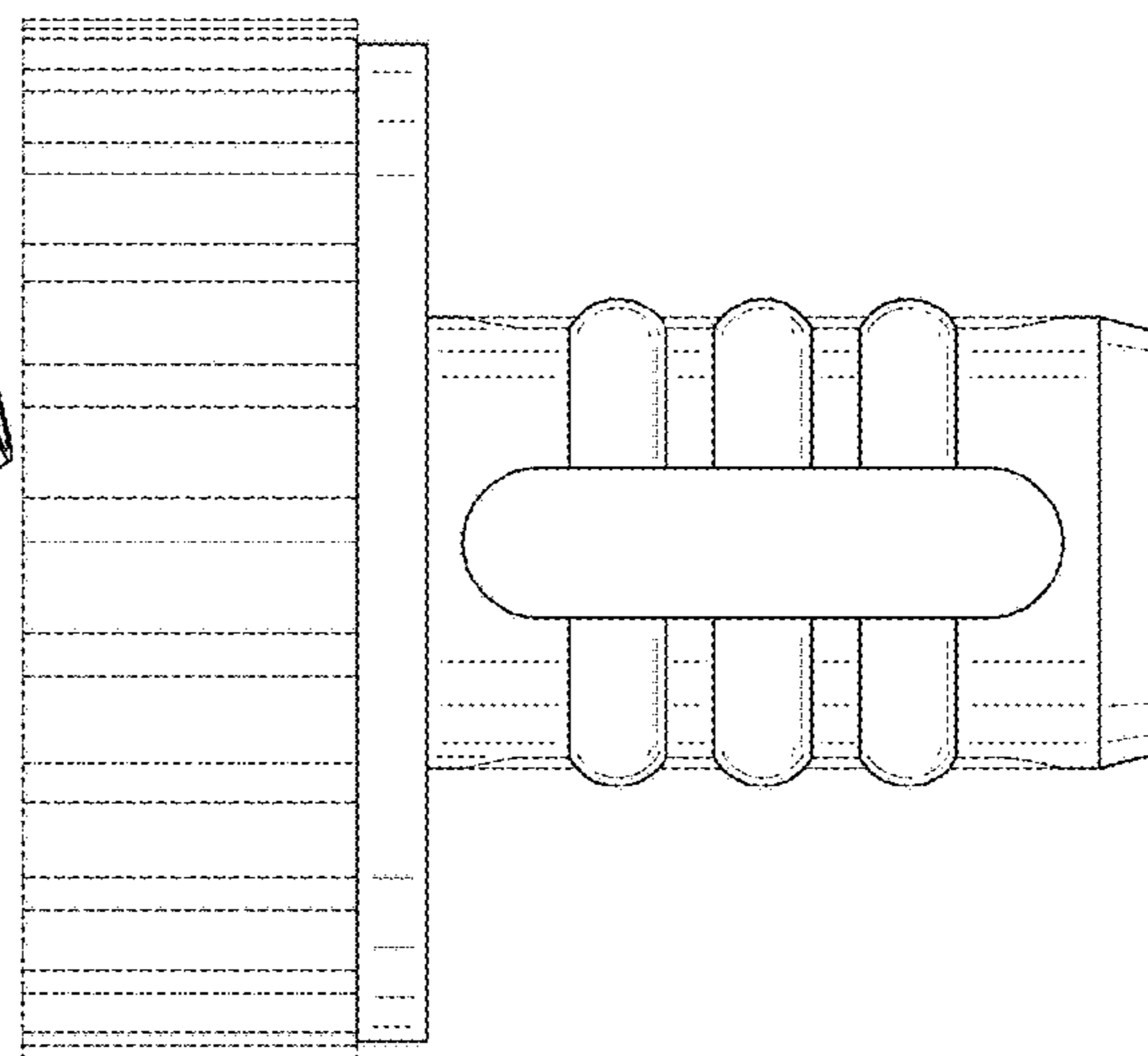
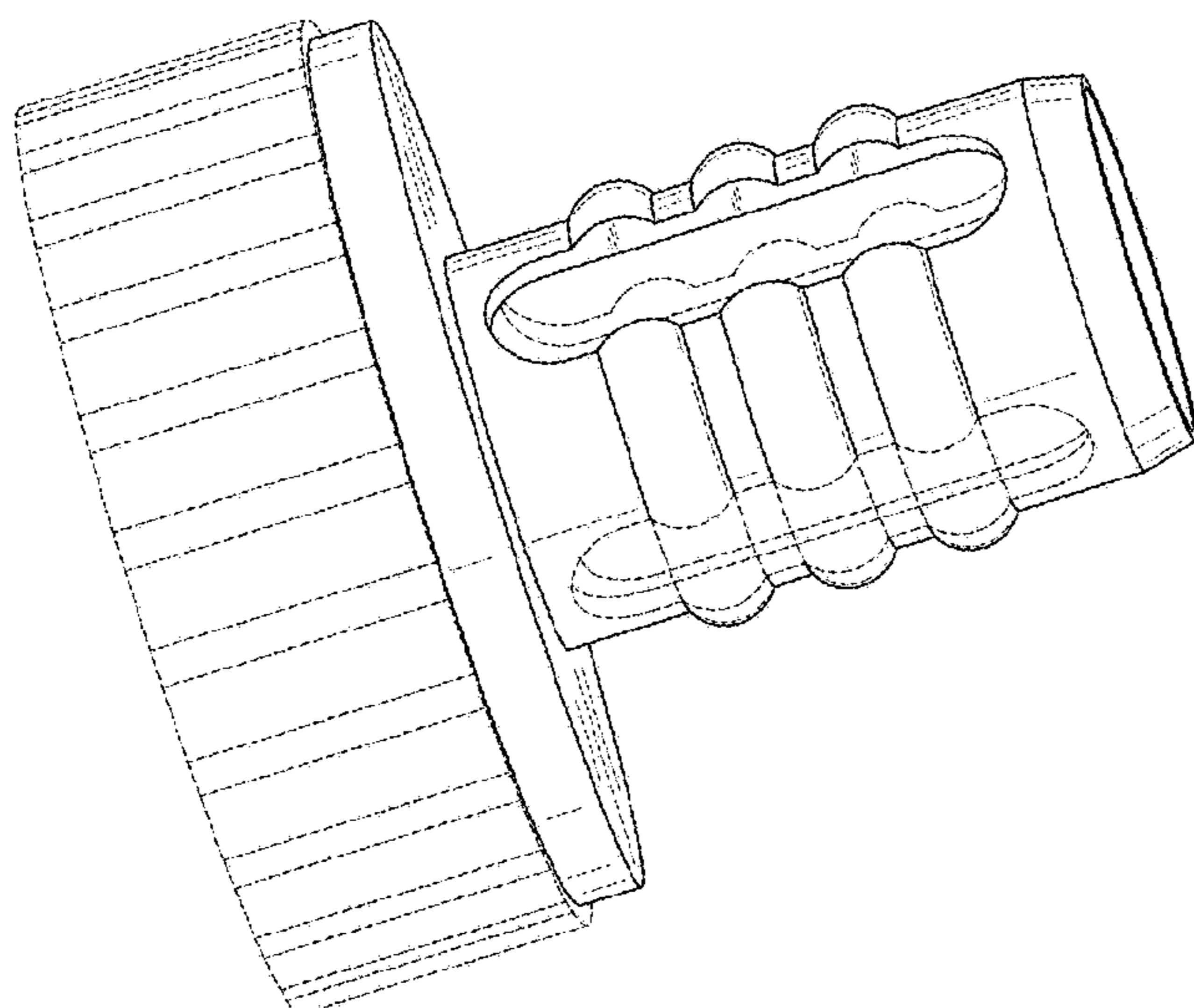
(57) **CLAIM**

The ornamental design for a conduit coupler, as shown and described.

**DESCRIPTION**

FIG. 1 is a perspective view of a conduit coupler showing the new design;  
FIG. 2 is a first side view thereof with a nut attached;  
FIG. 3 is a second side view thereof with the nut attached, the second side view opposite the first side view;  
FIG. 4 is a top view thereof;  
FIG. 5 is a bottom view thereof;  
FIG. 6 is the first side view as shown in FIG. 2 with the nut removed; and,  
FIG. 7 is a perspective view showing the conduit coupler in a position of use in an example environment.  
The broken lines shown in the drawings represent portions of the conduit coupler and environment that form no part of the claim.

**1 Claim, 7 Drawing Sheets**



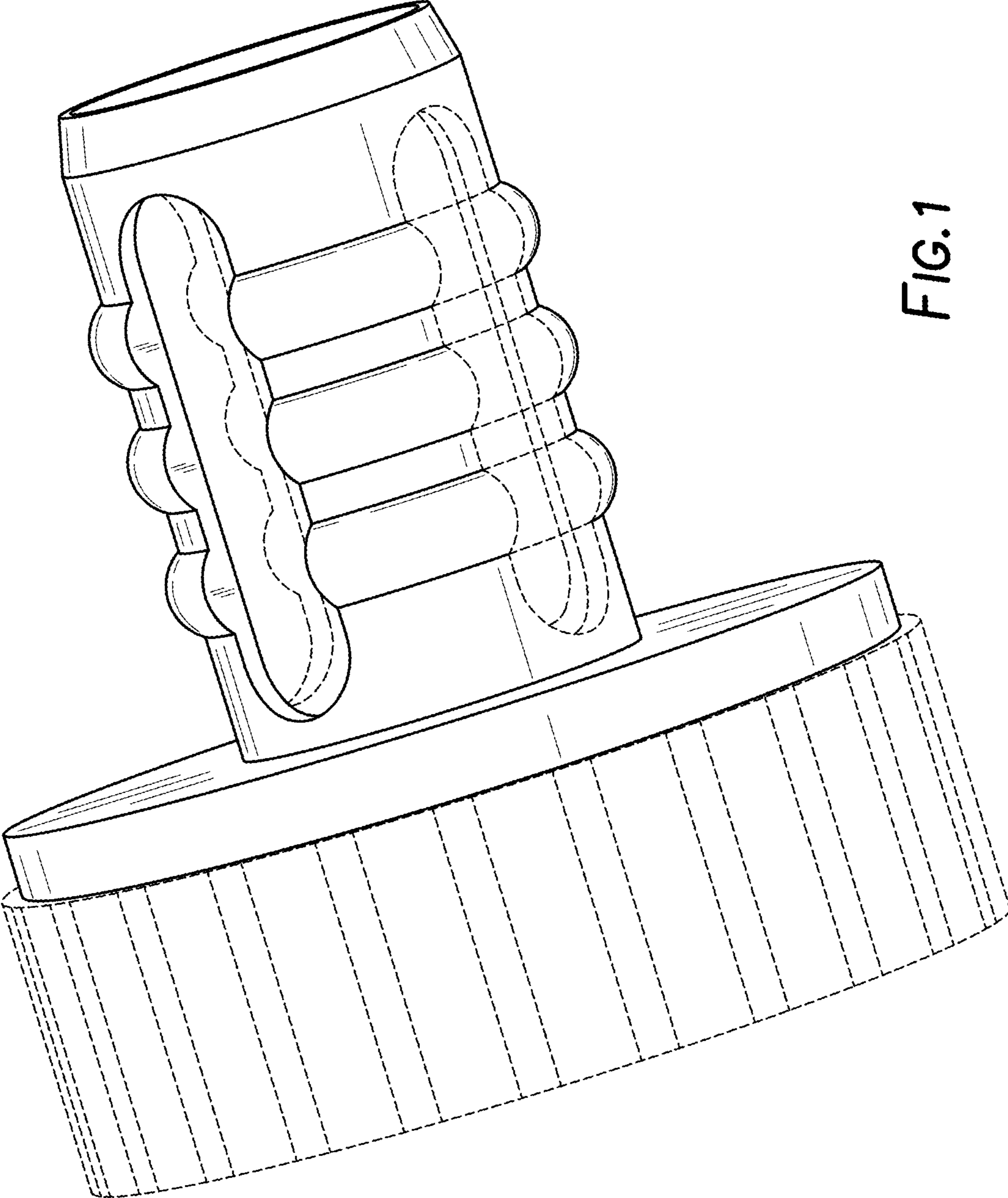


FIG. 1

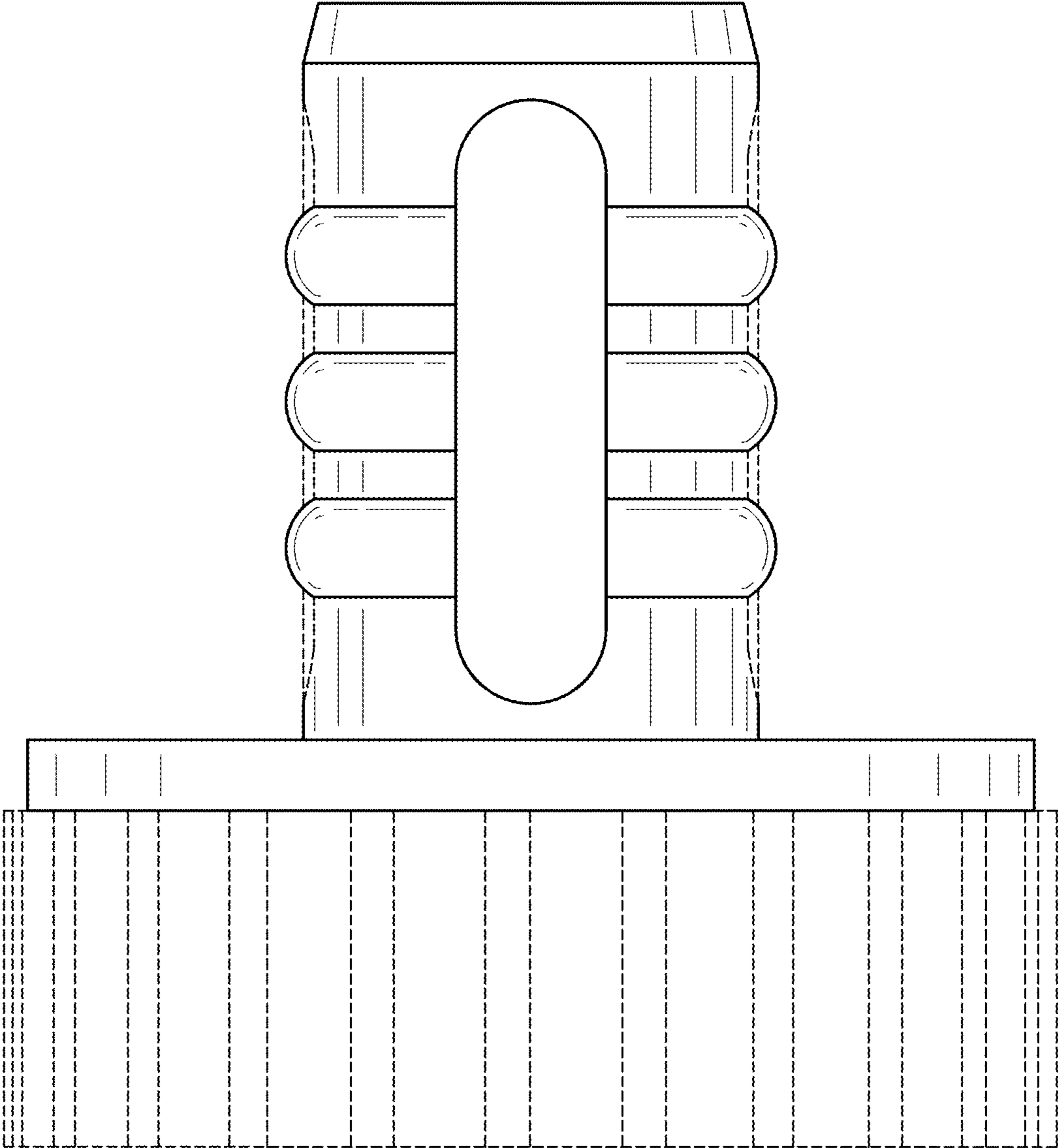


FIG.2

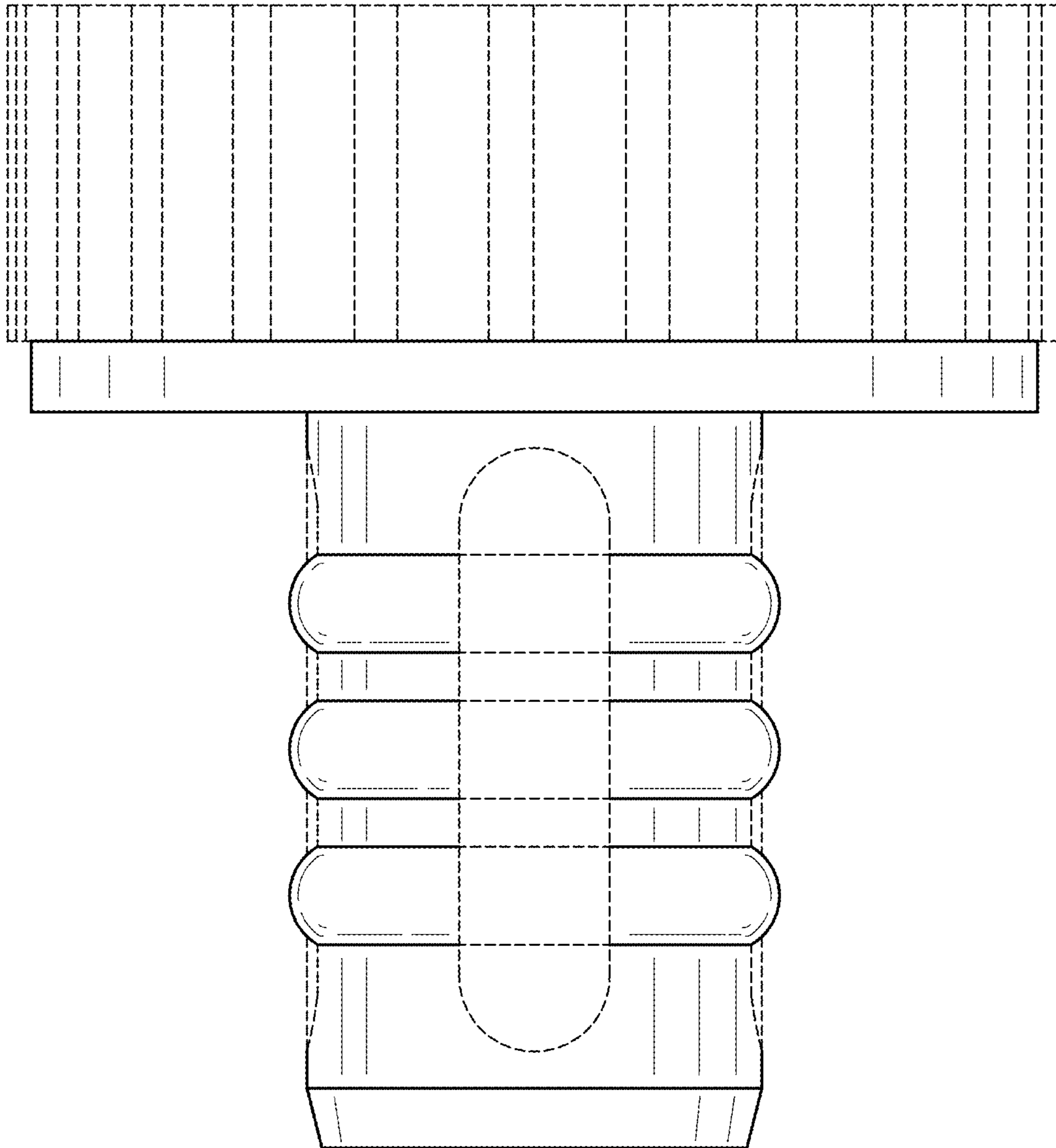


FIG.3

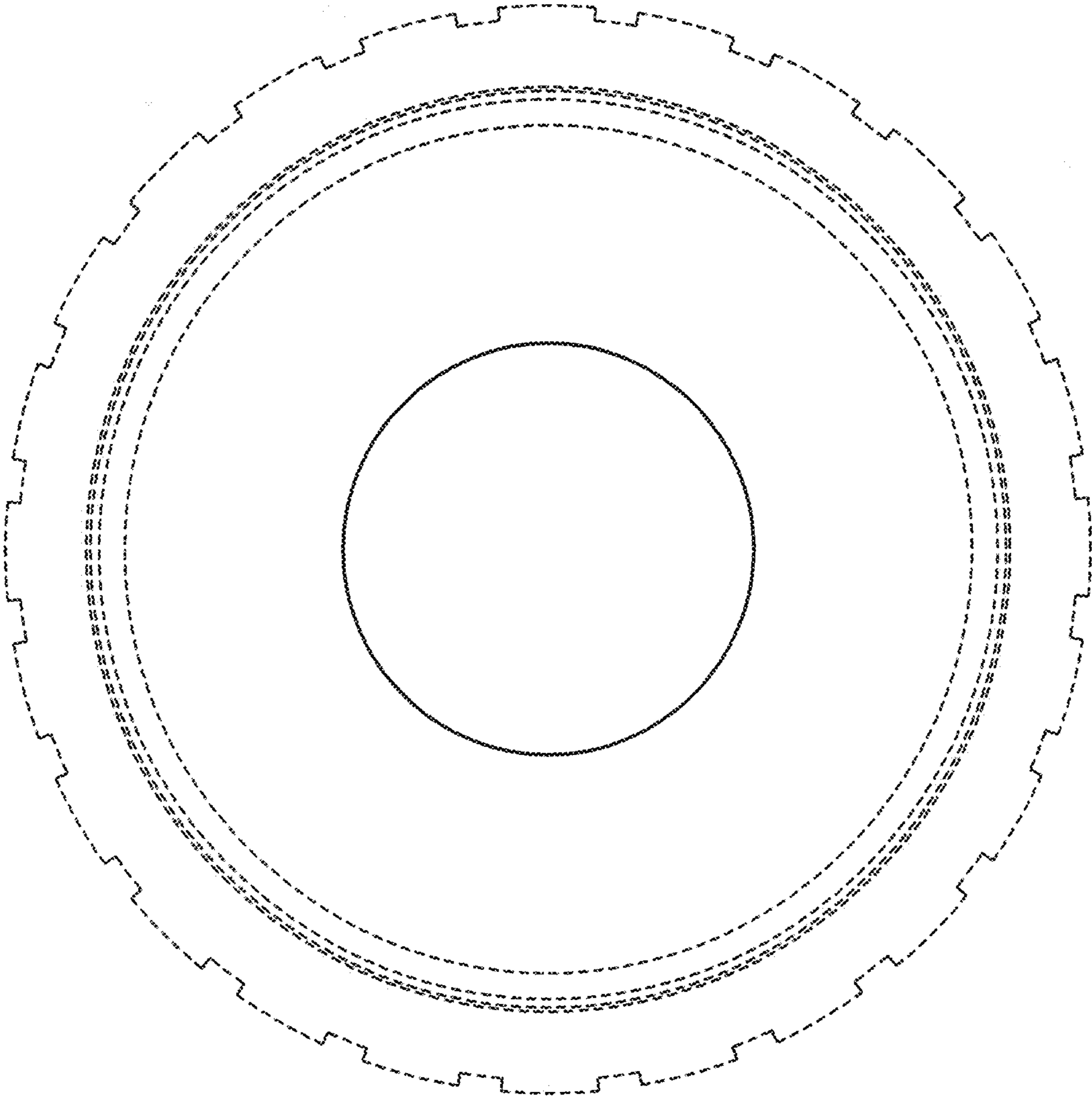


FIG.4

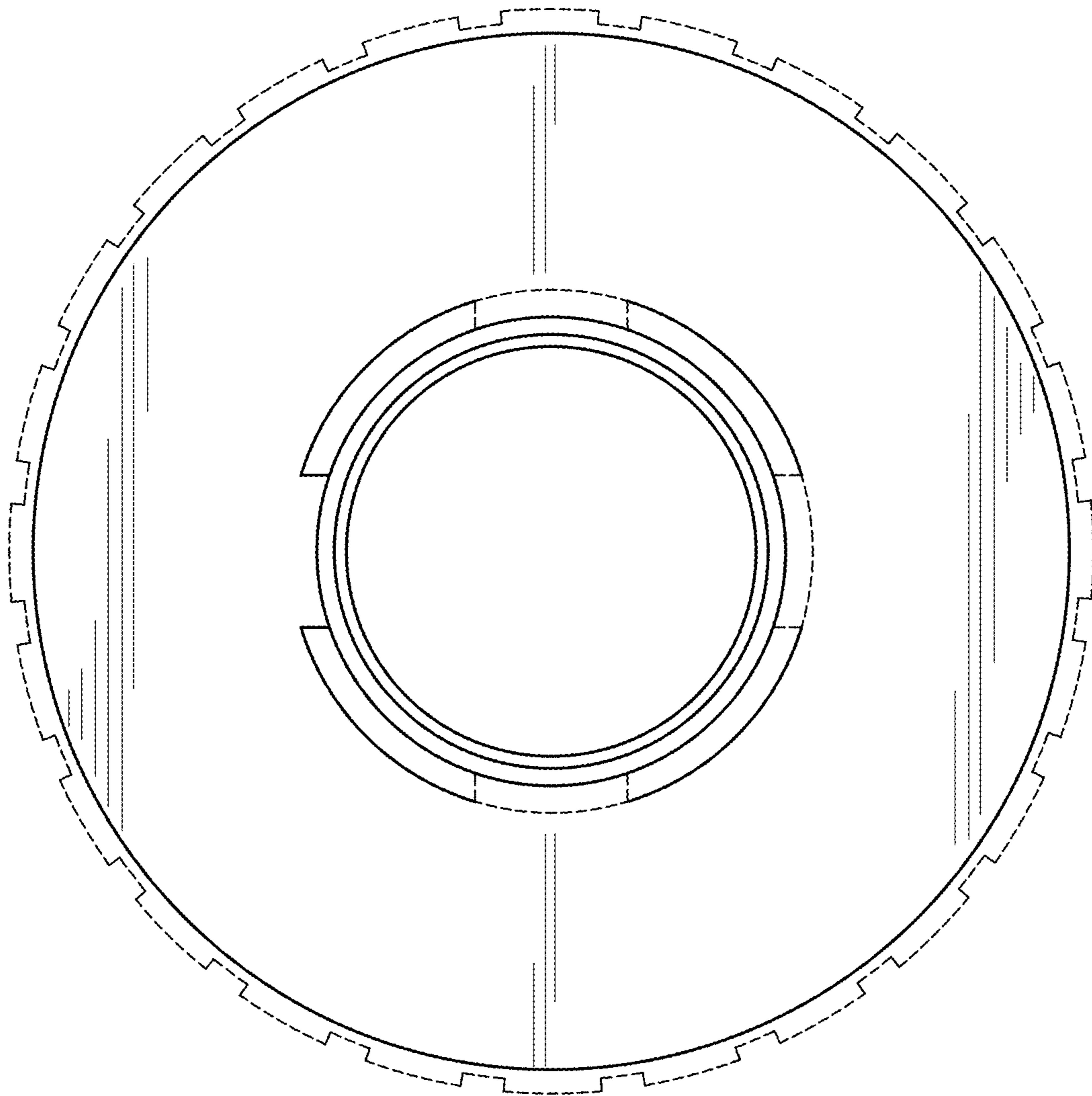


FIG.5

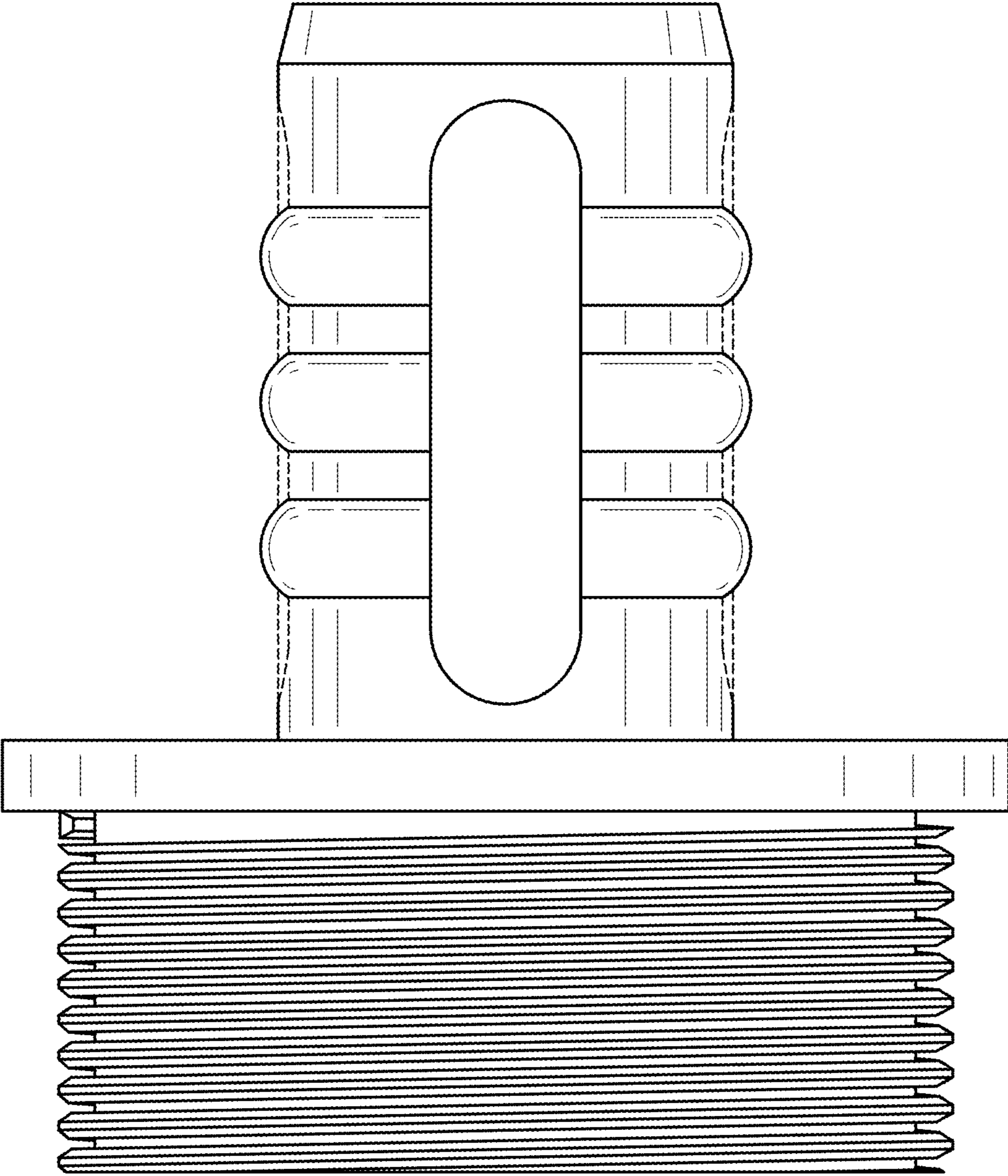


FIG.6

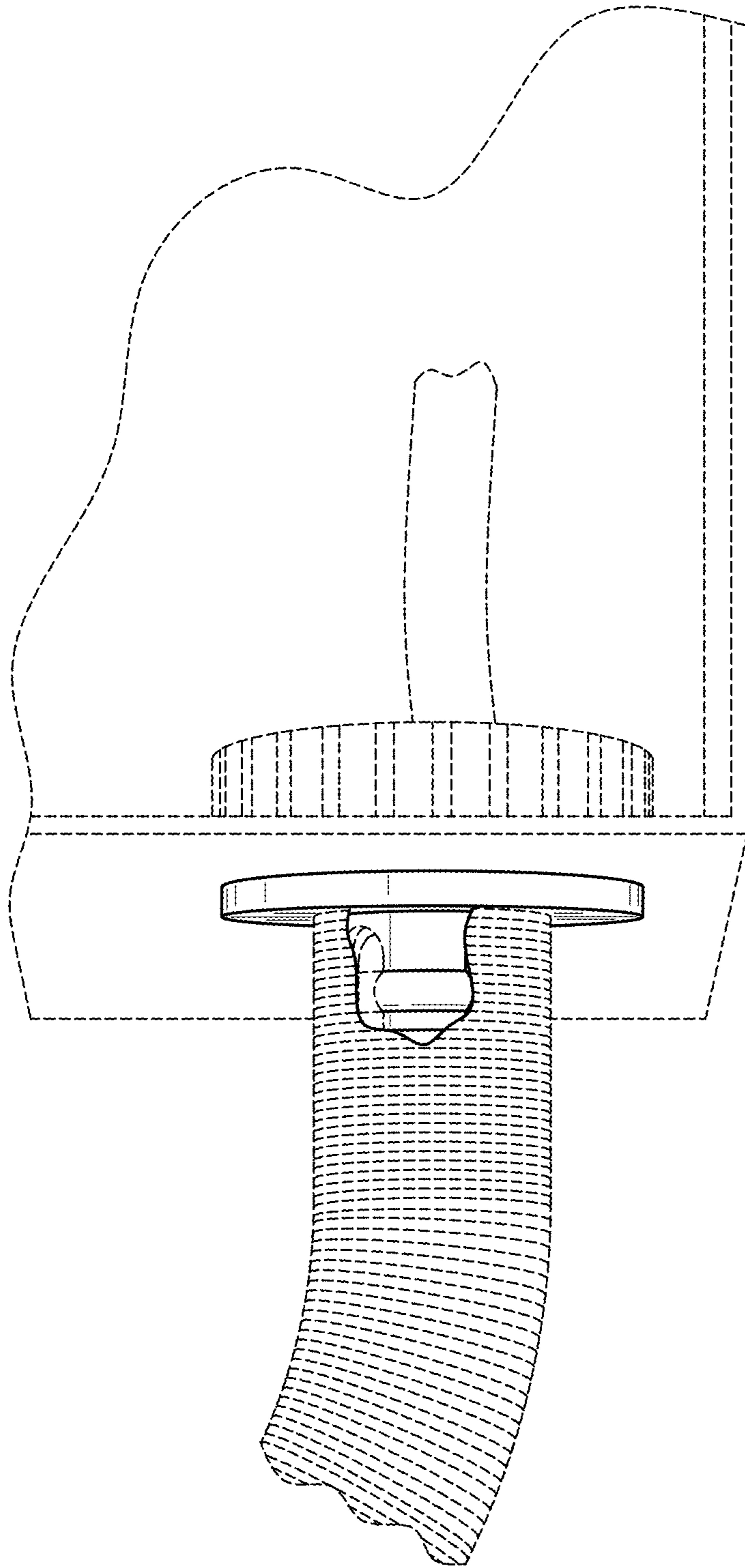


FIG.7