



US00D905830S

(12) **United States Design Patent** (10) **Patent No.:** **US D905,830 S**
Provenzano et al. (45) **Date of Patent:** **** *Dec. 22, 2020**

- (54) **CONDUIT COUPLER**
- (71) Applicant: **ELECTRONIC CUSTOM DISTRIBUTORS, INC.**, Houston, TX (US)
- (72) Inventors: **Charles J. Provenzano**, Houston, TX (US); **Michael Leung**, Missouri City, TX (US)
- (73) Assignee: **Electronic Custom Distributors, Inc.**, Houston, TX (US)
- (*) Notice: This patent is subject to a terminal disclaimer.
- (**) Term: **15 Years**
- (21) Appl. No.: **29/669,312**
- (22) Filed: **Nov. 7, 2018**
- (51) **LOC (12) Cl.** **23-01**
- (52) **U.S. Cl.**
USPC **D23/262**
- (58) **Field of Classification Search**
USPC D23/259-260, 262, 264-266; D8/382, D8/387, 394, 396-397; D13/133, 50, D13/154-156; 285/345, 377, 388, 390; 439/246, 256-257, 483
See application file for complete search history.

- (56) **References Cited**
U.S. PATENT DOCUMENTS
- | | | | | |
|----------------|---------|-------------|-------|--------------|
| D299,267 S * | 1/1989 | Roman | | D23/262 |
| D363,767 S * | 10/1995 | Swaim | | D23/260 |
| 7,364,450 B2 * | 4/2008 | Hafner | | H01R 13/622 |
| | | | | 439/253 |
| 7,503,788 B2 * | 3/2009 | Holterhoff | | H01R 13/622 |
| | | | | 439/256 |
| D701,494 S * | 3/2014 | Errato, Jr. | | H01R 13/5845 |
| | | | | D13/154 |
| D774,628 S * | 12/2016 | Provenzano | | D23/262 |
| D834,531 S * | 11/2018 | Maroney | | D13/154 |

D839,213 S *	1/2019	Maroney	D13/154
D852,334 S *	6/2019	Sfredel	D23/260
D859,973 S *	9/2019	Foerster, Jr.	D8/397
D880,423 S *	4/2020	Obata	D13/133
2012/0200081 A1 *	8/2012	Reznar	F16L 33/00
				285/313
2017/0122359 A1 *	5/2017	Foerster, Jr.	B23P 6/00

OTHER PUBLICATIONS

DCPC2000ADC Directconnect 2" Conduit Adapter 2" to 2" Nut Coupler; ECD Website copyright Date 2020; Visited Online Jun. 11, 2020; <https://www.ecdcom.com/index.jsp?path=product&part=34819&ds=dept&process=search&qdx=0&ID=%2CNetwork%2CTelecom%2Cdept-1M5> (Year: 2020).*

* cited by examiner

Primary Examiner — Amy C Wierenga
(74) *Attorney, Agent, or Firm* — Mark E. Scott; Dickinson Wright PLLC

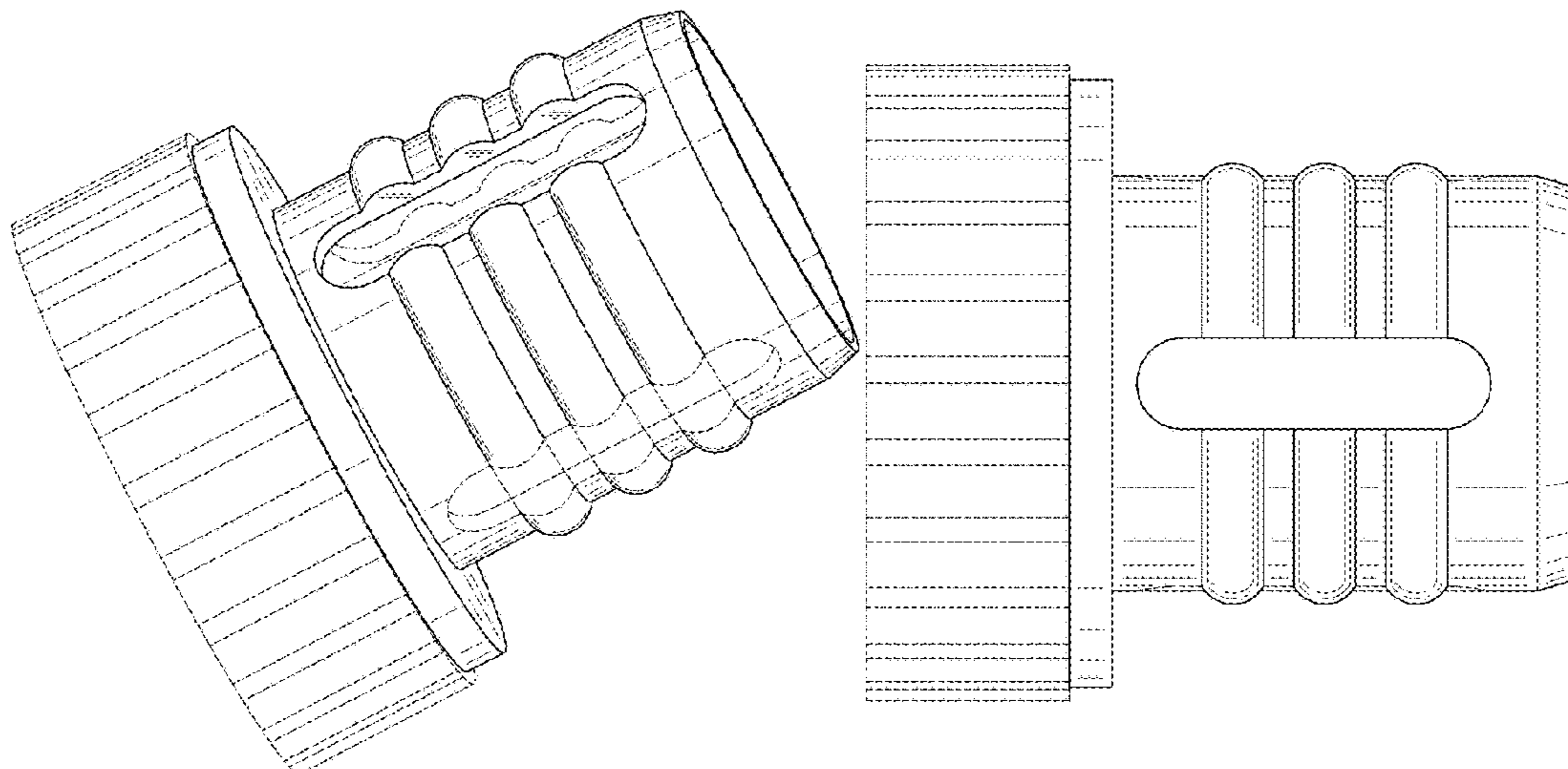
(57) **CLAIM**

The ornamental design for a conduit coupler, as shown and described.

DESCRIPTION

FIG. 1 is a perspective view of a conduit coupler showing the new design;
FIG. 2 is a first side view thereof with a nut attached;
FIG. 3 is a second side view thereof with the nut attached, the second side view opposite the first side view;
FIG. 4 is a top view thereof;
FIG. 5 is a bottom view thereof;
FIG. 6 is the first side view as shown in FIG. 2 with the nut removed; and,
FIG. 7 is a perspective view showing the conduit coupler in a position of use in an example environment.
The broken lines shown in the drawings represent portions of the conduit coupler and environment that form no part of the claim.

1 Claim, 7 Drawing Sheets



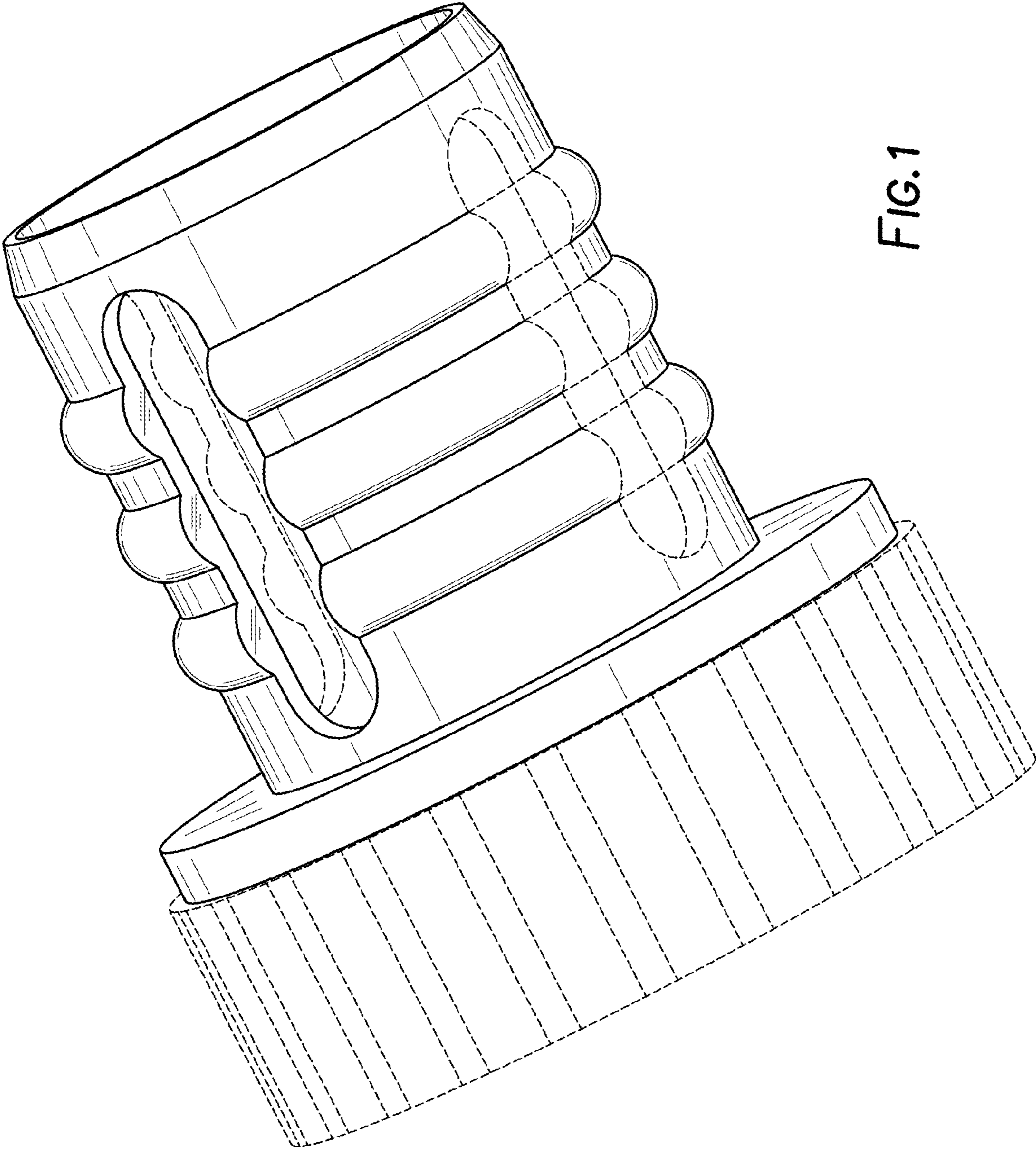


FIG. 1

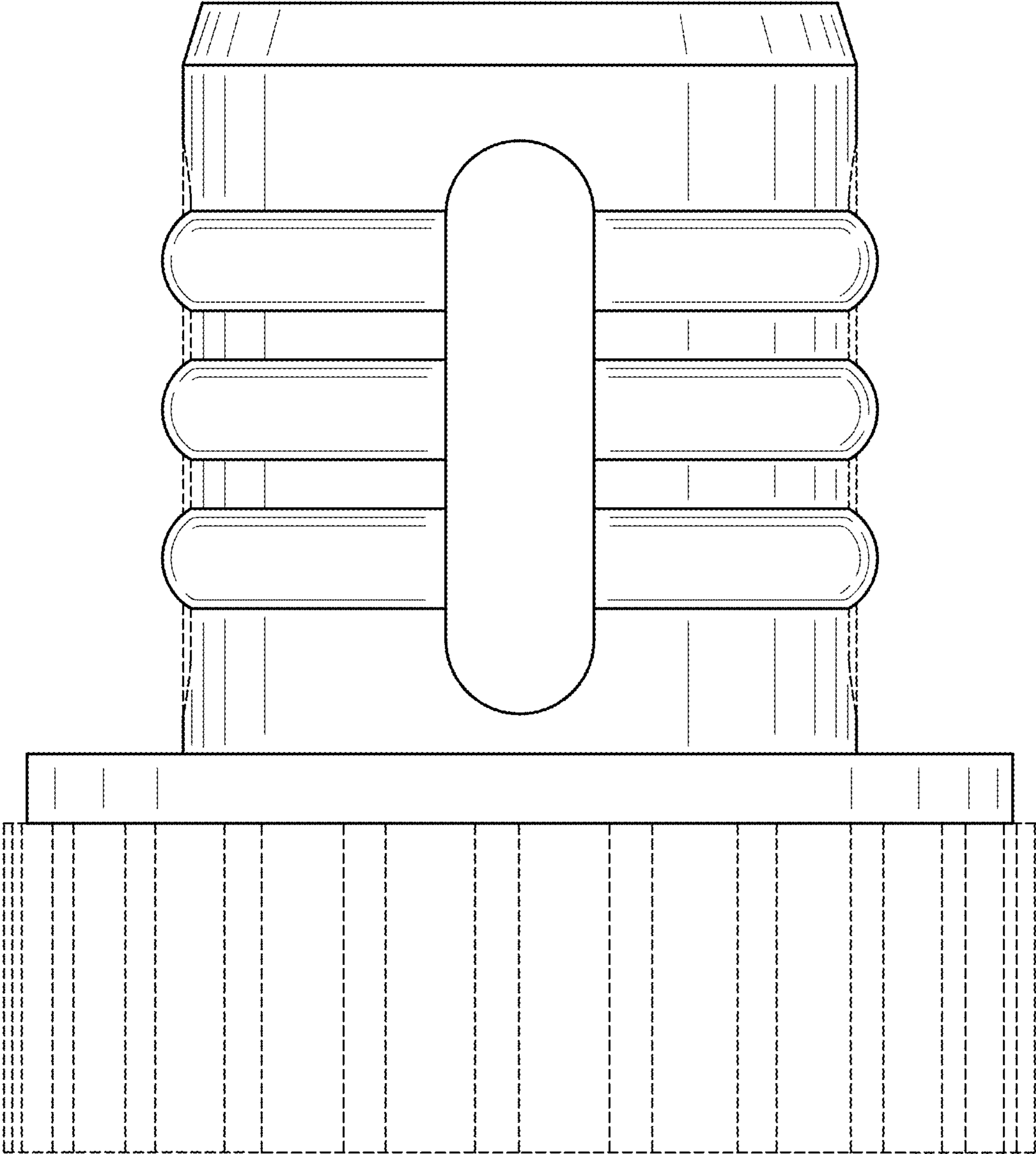


FIG.2

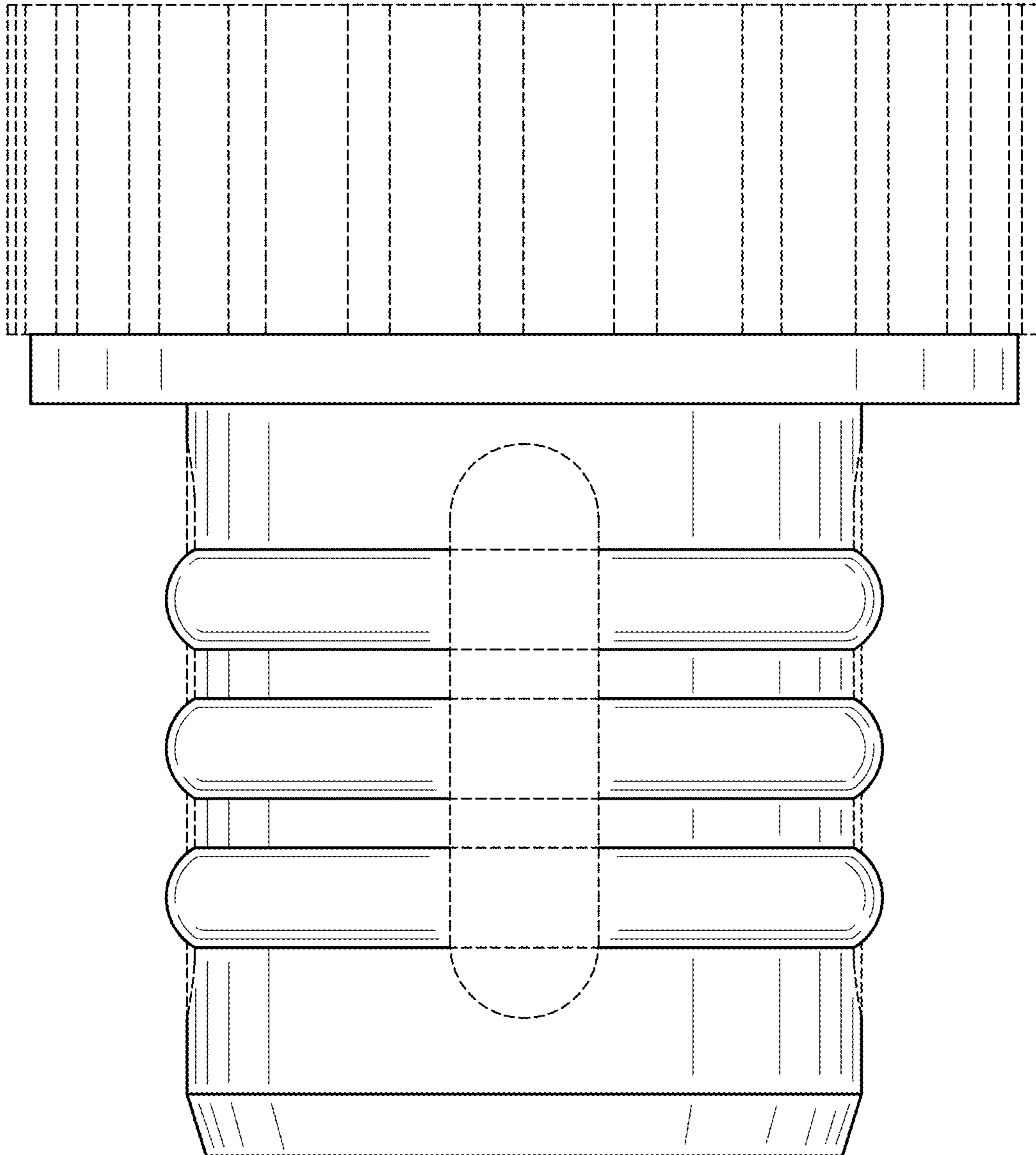


FIG.3

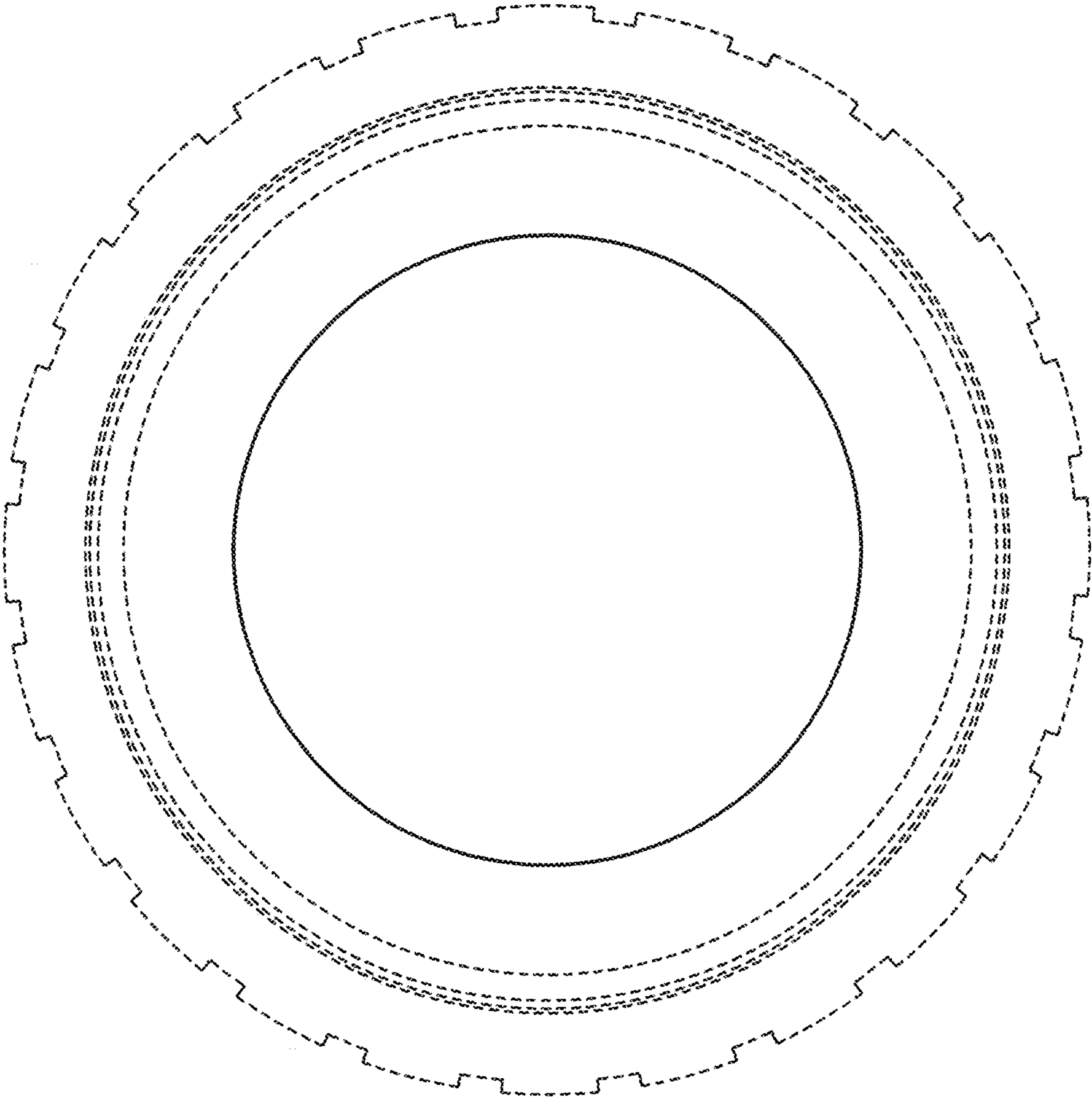


FIG.4

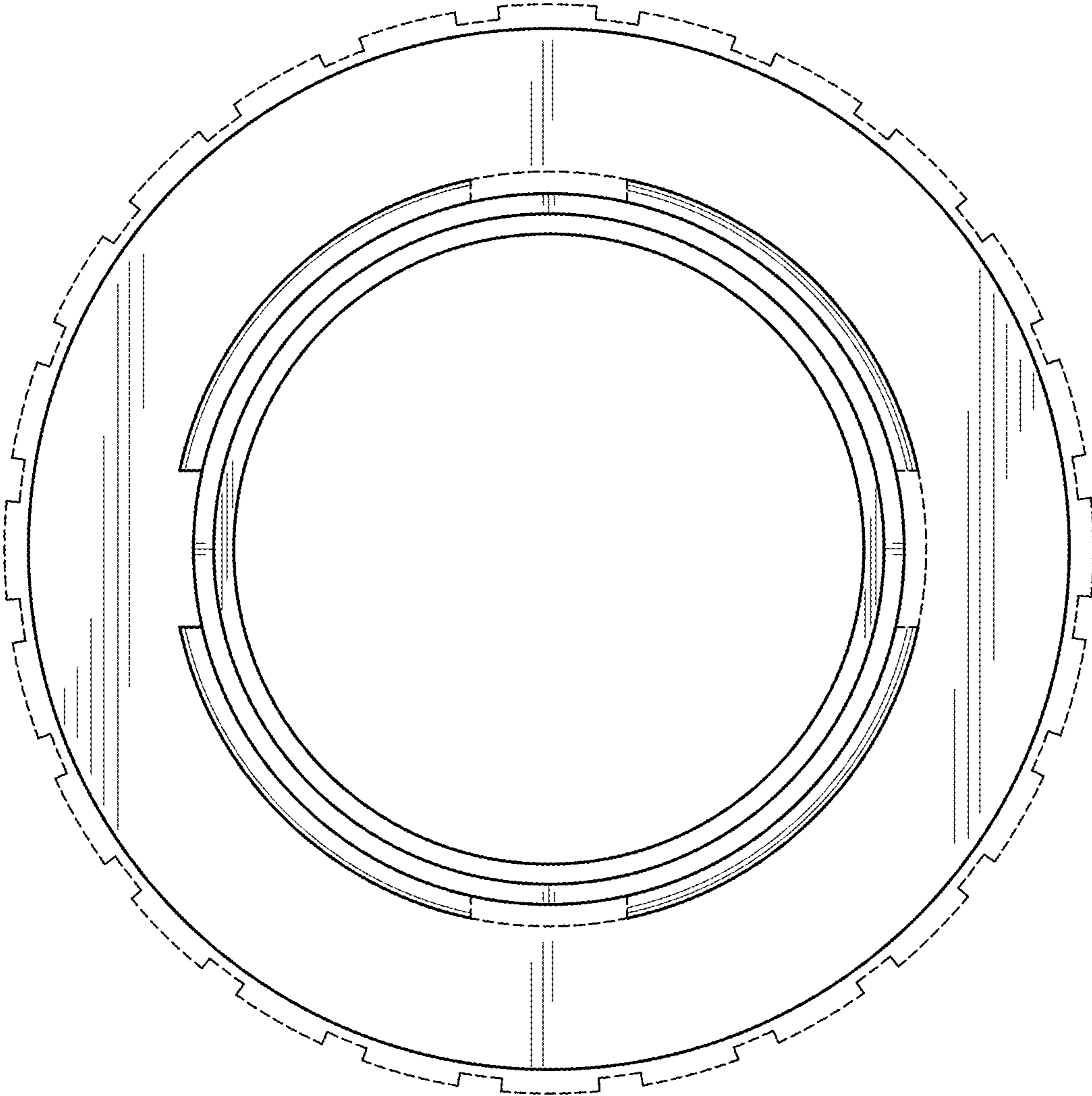


FIG.5

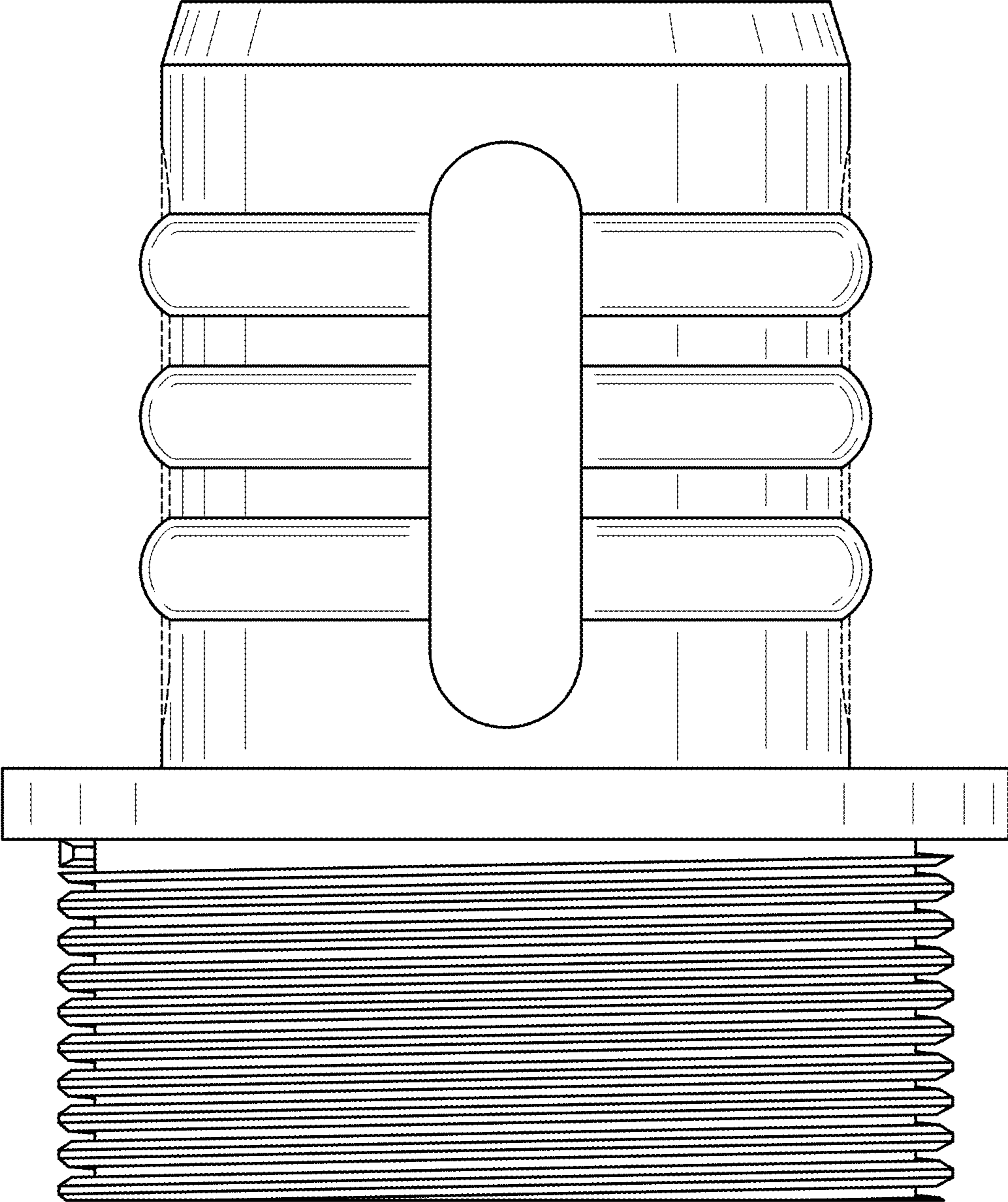


FIG.6

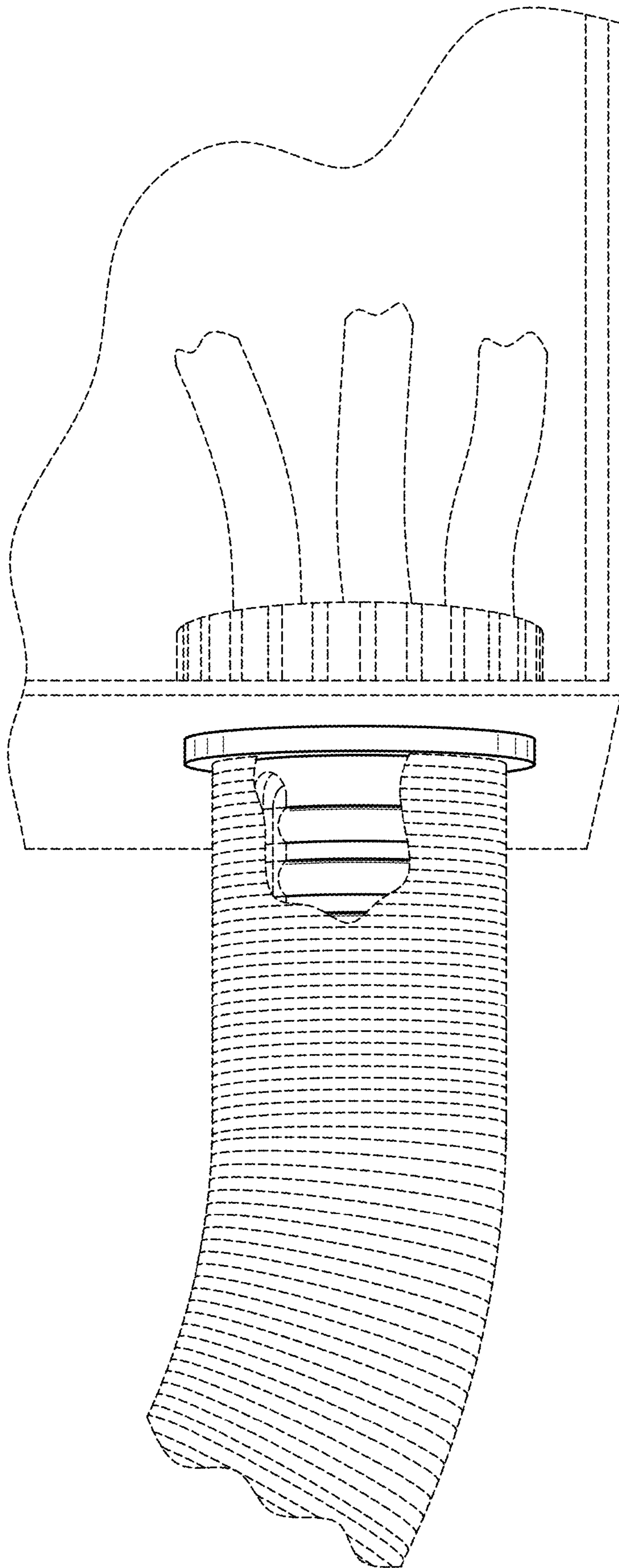


FIG.7