



US00D905829S

(12) **United States Design Patent**  
**Zhang**

(10) **Patent No.:** **US D905,829 S**

(45) **Date of Patent:** **\*\* Dec. 22, 2020**

(54) **DRAIN VALVE**

(71) Applicant: **Shenzhen Jiaxin Technology Co., Ltd.**,  
Shenzhen (CN)

(72) Inventor: **Tianxin Zhang**, Shenzhen (CN)

(\*\*) Term: **15 Years**

(21) Appl. No.: **29/692,762**

(22) Filed: **May 28, 2019**

(51) **LOC (12) Cl.** ..... **23-01**

(52) **U.S. Cl.**  
USPC ..... **D23/260**

(58) **Field of Classification Search**

USPC ..... D7/300, 300.2, 387, 391, 392, 302.1,  
D7/396.1, 396.2, 397, 398, 509, 510, 511,  
D7/601, 602, 619.1, 900; D9/686, 690,  
D9/434, 435, 439, 446, 447, 449, 452,  
D9/454, 414, 418, 422, 423, 424, 428,  
D9/431, 436, 503, 504, 549, 721;  
D24/121, 193, 194, 196, 197, 199;  
D8/10; D30/123, 131, 132, 133, 162;  
D23/209, 233, 245, 247, 248, 249, 255,  
D23/257, 259, 260, 261, 262; D15/5  
CPC ..... F01M 11/0458; F16N 2037/006; B65D  
25/24; B65D 25/54; B65D 25/106; B65D  
25/22; B65D 39/0005; B65D 43/06;  
B65D 51/24; B65D 51/245; B65D  
2201/00; B65D 1/00; B65D 1/22; B65D  
1/26; B65D 1/34; B65D 1/40; B65D  
1/165; B65D 2251/0087; B65D  
2251/0018; B65D 2251/0028; B65D  
2251/009; B65D 81/18; B65D 81/38;  
A47F 3/145; A45D 34/02; A47J 47/14  
See application file for complete search history.

(56) **References Cited**

**U.S. PATENT DOCUMENTS**

D367,424 S \* 2/1996 Thanisch ..... D9/446  
D369,942 S \* 5/1996 Ahern, Jr. .... D7/391  
D376,412 S \* 12/1996 Bodell ..... D23/233

D412,640 S \* 8/1999 Much ..... D7/392  
D452,554 S \* 12/2001 McKee ..... D23/233  
D461,001 S \* 7/2002 Hensley ..... D23/260  
D621,915 S \* 8/2010 Fima ..... D23/261  
D638,516 S \* 5/2011 Greenway-Balnar ..... D23/209  
D654,306 S \* 2/2012 Brinckerhoff ..... D7/376  
D674,058 S \* 1/2013 Yu ..... D23/262  
D729,904 S \* 5/2015 Lu ..... D23/233  
D731,030 S \* 6/2015 Tyler ..... D23/260  
D741,642 S \* 10/2015 Yessin ..... D7/392

(Continued)

**OTHER PUBLICATIONS**

Boad Drawin Valve Cap for Boats: Site Visited [Jun. 8, 2020],  
Available from Internet URL: [https://www.dhgate.com/product/2pcs-new-black-plug-boat-drain-valve-cap/427530479.html?skuid=509901074068373504#seo=WAP.\\*](https://www.dhgate.com/product/2pcs-new-black-plug-boat-drain-valve-cap/427530479.html?skuid=509901074068373504#seo=WAP.*)

*Primary Examiner* — Catherine S Posthauer  
(74) *Attorney, Agent, or Firm* — Novoclaims Patent  
Services LLC; Mei Lin Wong

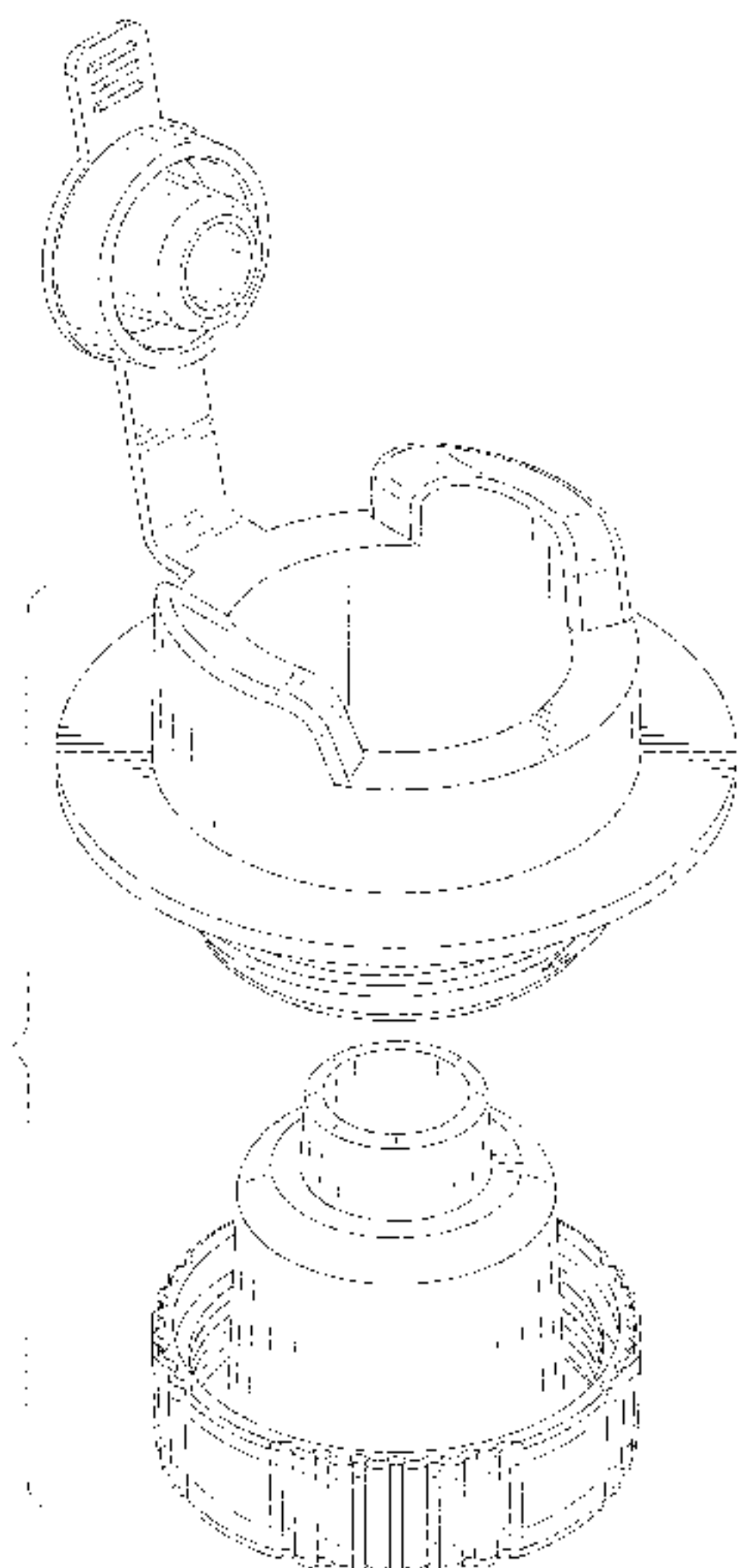
(57) **CLAIM**

The ornamental design for a drain valve, as shown and  
described.

**DESCRIPTION**

FIG. 1 is a top perspective view of a drain valve showing my  
new design in a closed position of use;  
FIG. 2 is a bottom perspective view thereof;  
FIG. 3 is a front view thereof;  
FIG. 4 is a rear view thereof;  
FIG. 5 is a left side view thereof;  
FIG. 6 is a right side view thereof;  
FIG. 7 is a top view thereof;  
FIG. 8 is a bottom view thereof;  
FIG. 9 is a top perspective view thereof, shown in an open  
position of use; and,  
FIG. 10 is an exploded perspective view thereof.  
The broken lines depict portions of the drain valve that form  
no part of the claimed design.

**1 Claim, 10 Drawing Sheets**



(56)

**References Cited**

U.S. PATENT DOCUMENTS

D762,825 S \* 8/2016 Walker ..... D23/259  
D803,049 S \* 11/2017 Ploeger ..... D9/435  
D803,050 S \* 11/2017 Ploeger ..... D9/435  
D804,945 S \* 12/2017 Ploeger ..... D9/435  
D817,463 S \* 5/2018 Curley ..... D23/260  
D820,036 S \* 6/2018 Lonner ..... D7/391  
D832,394 S \* 10/2018 Sutton ..... D23/209  
2017/0144811 A1 \* 5/2017 Wohlgenannt ..... B65D 47/32

\* cited by examiner

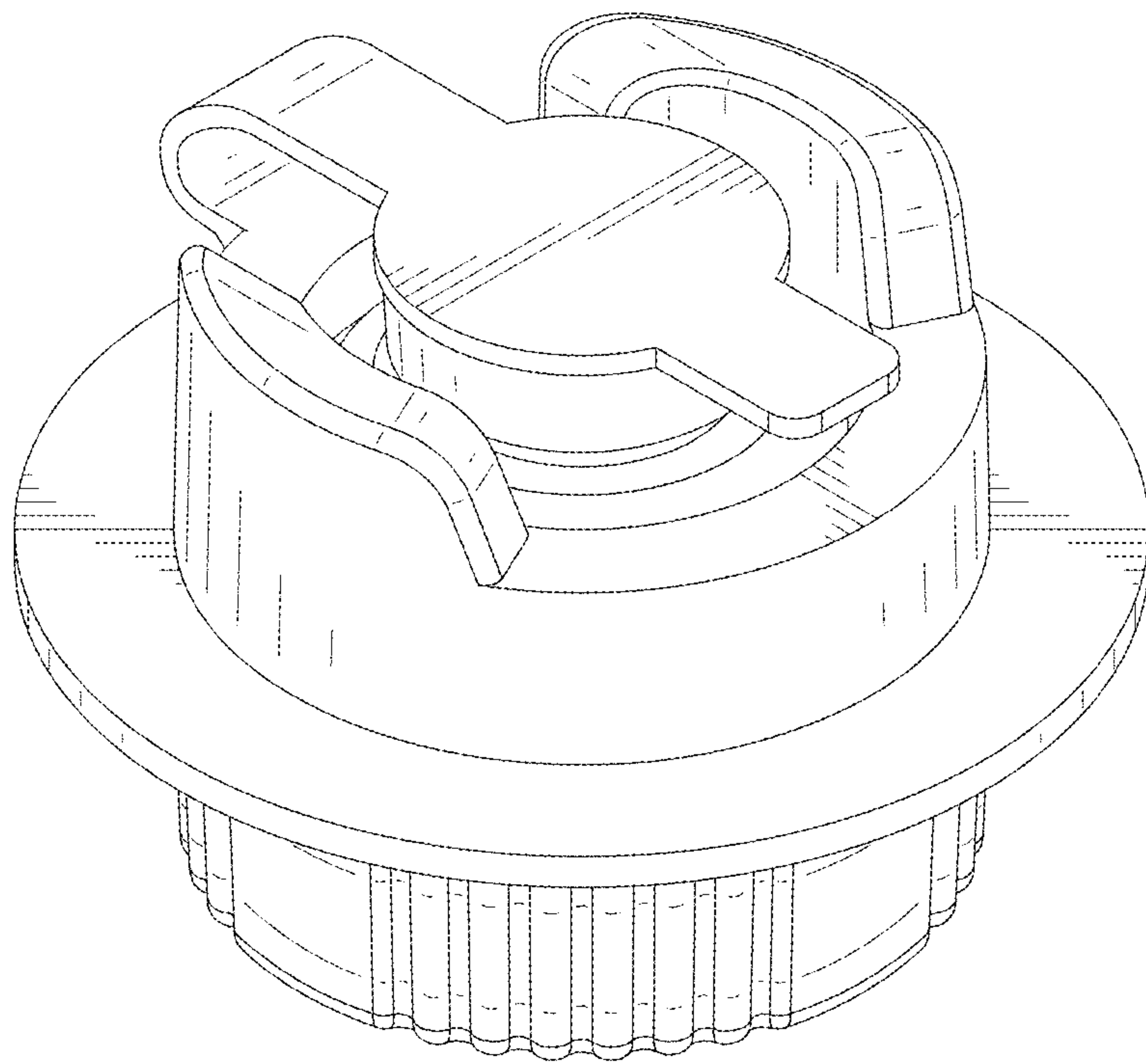


FIG.1

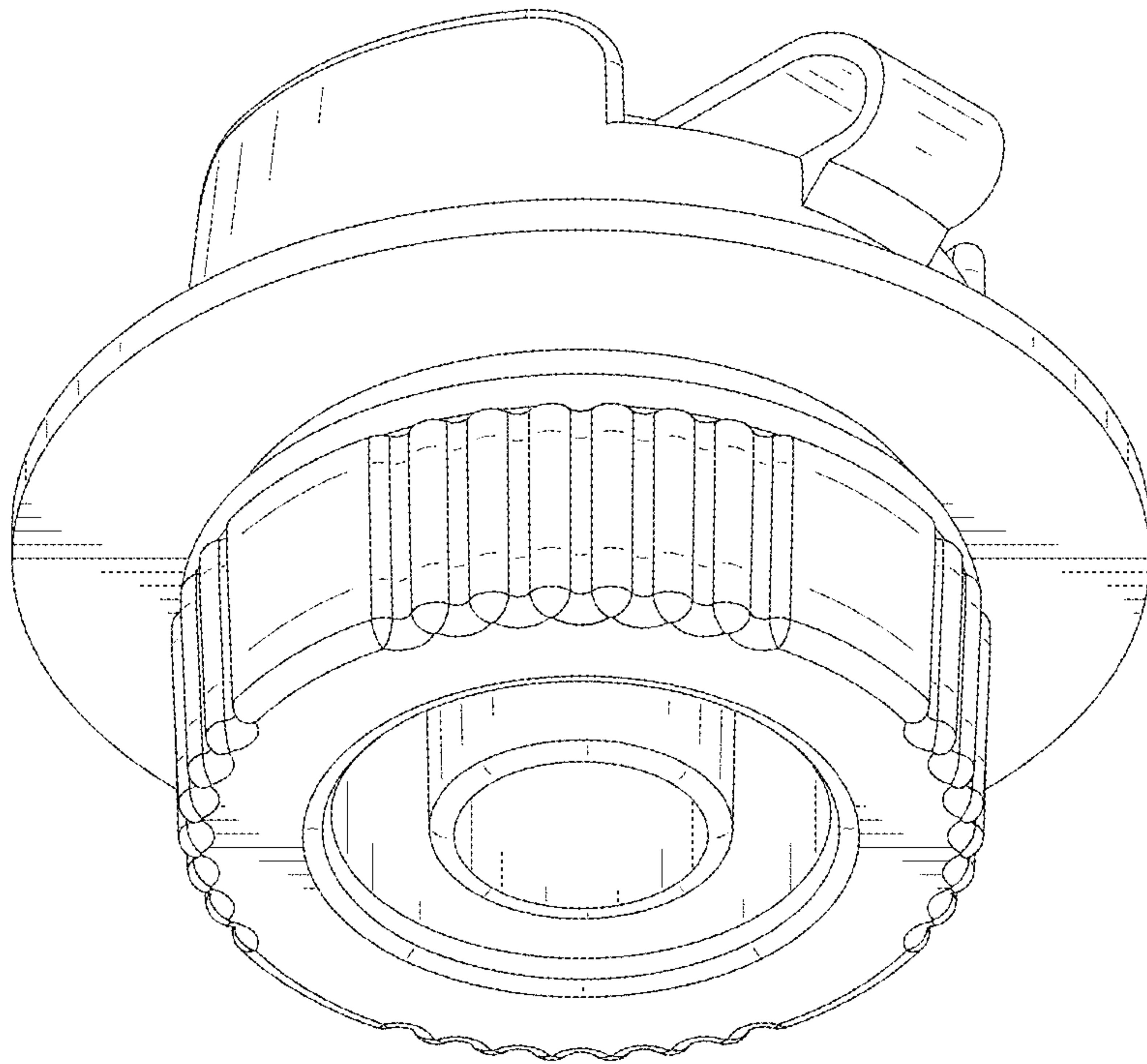


FIG.2

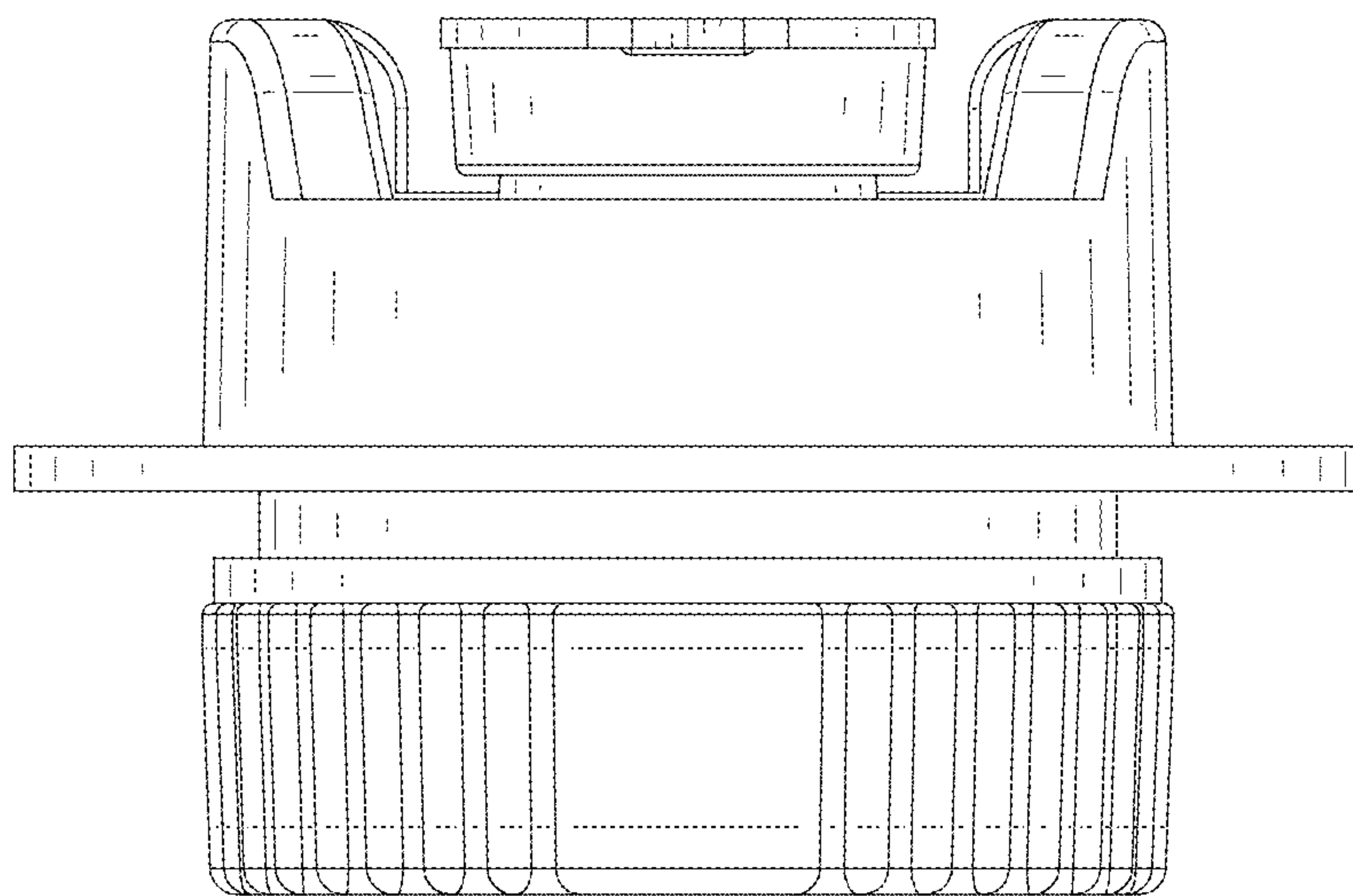


FIG.3

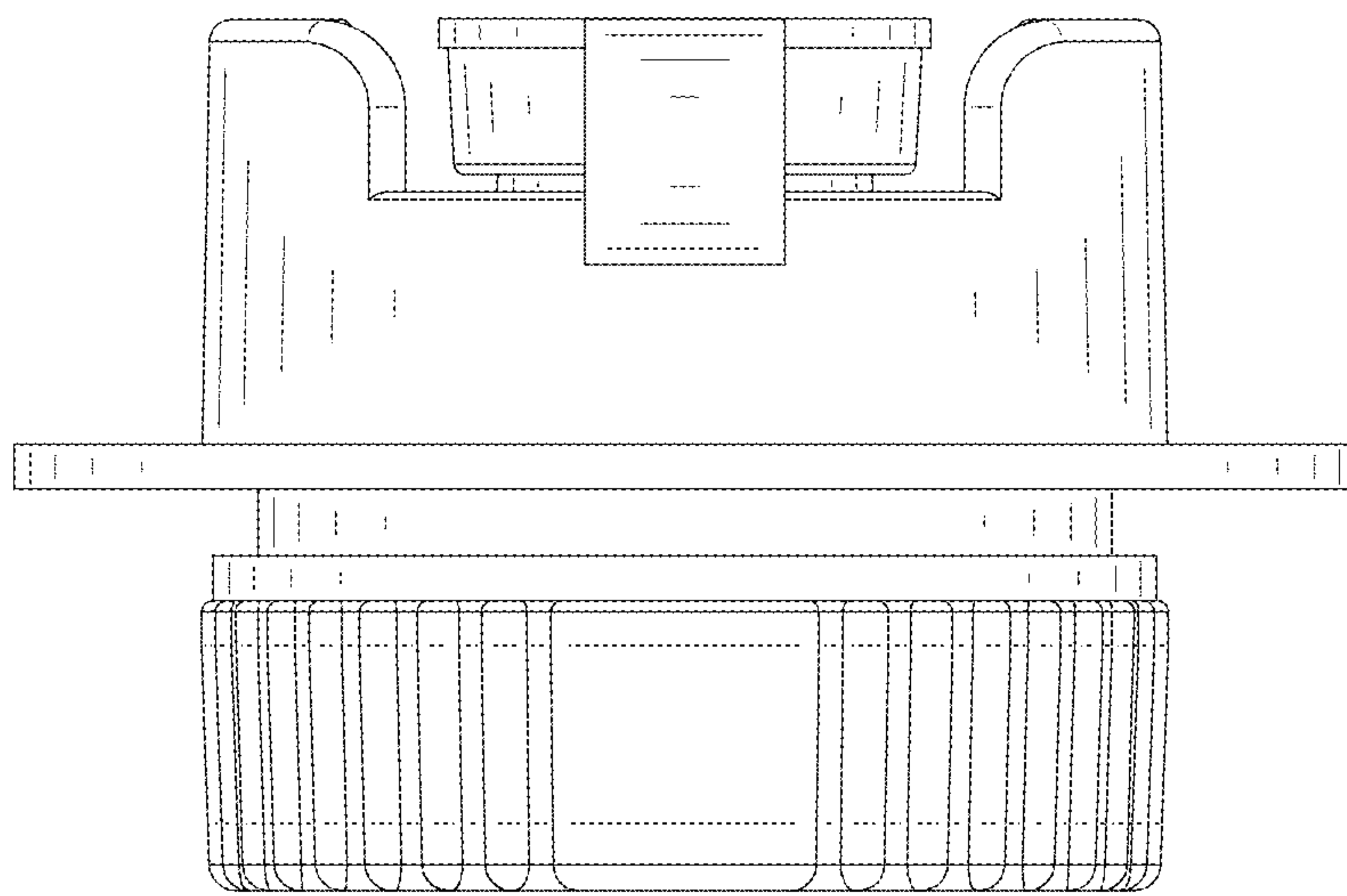


FIG.4

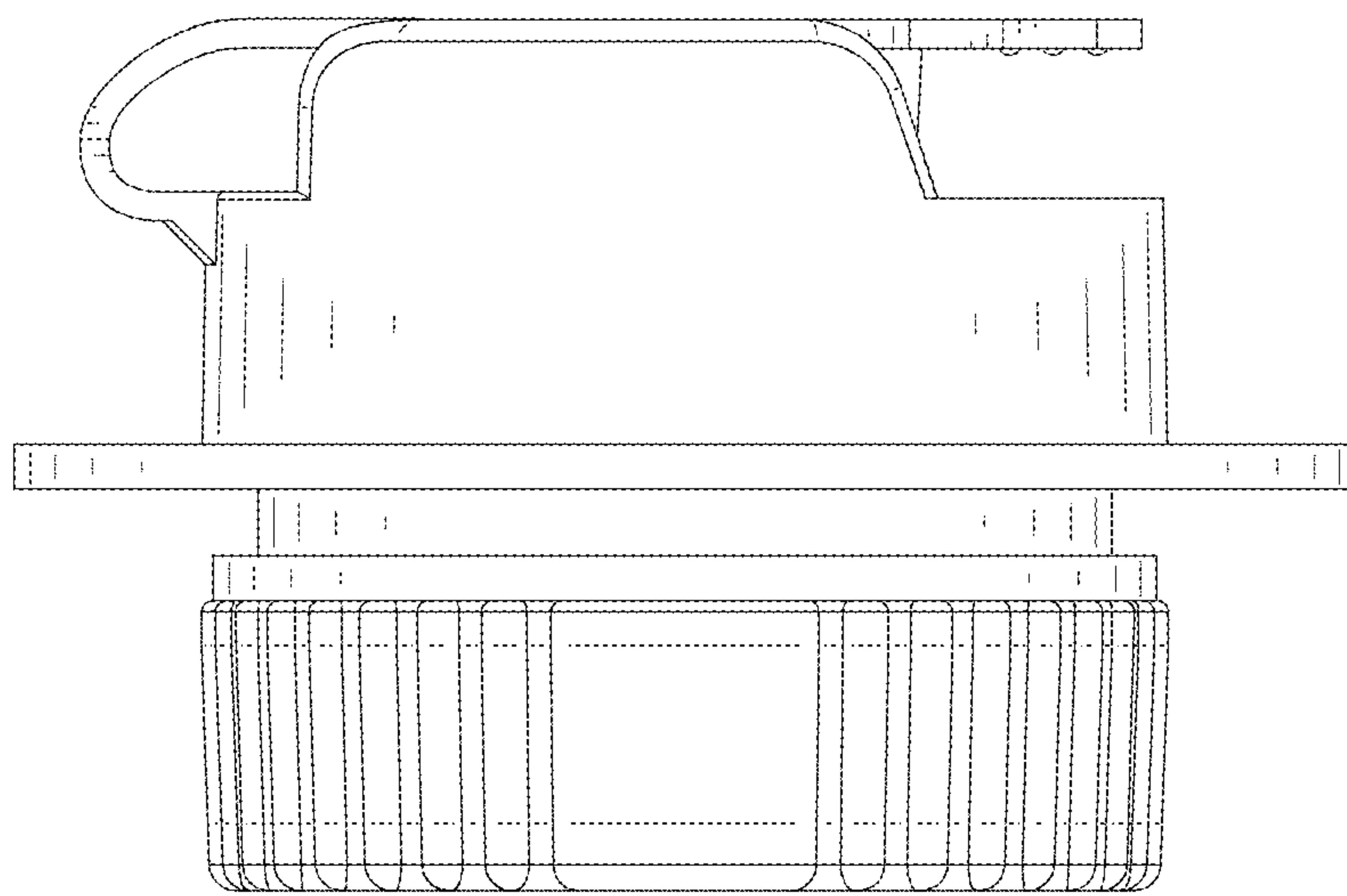


FIG.5



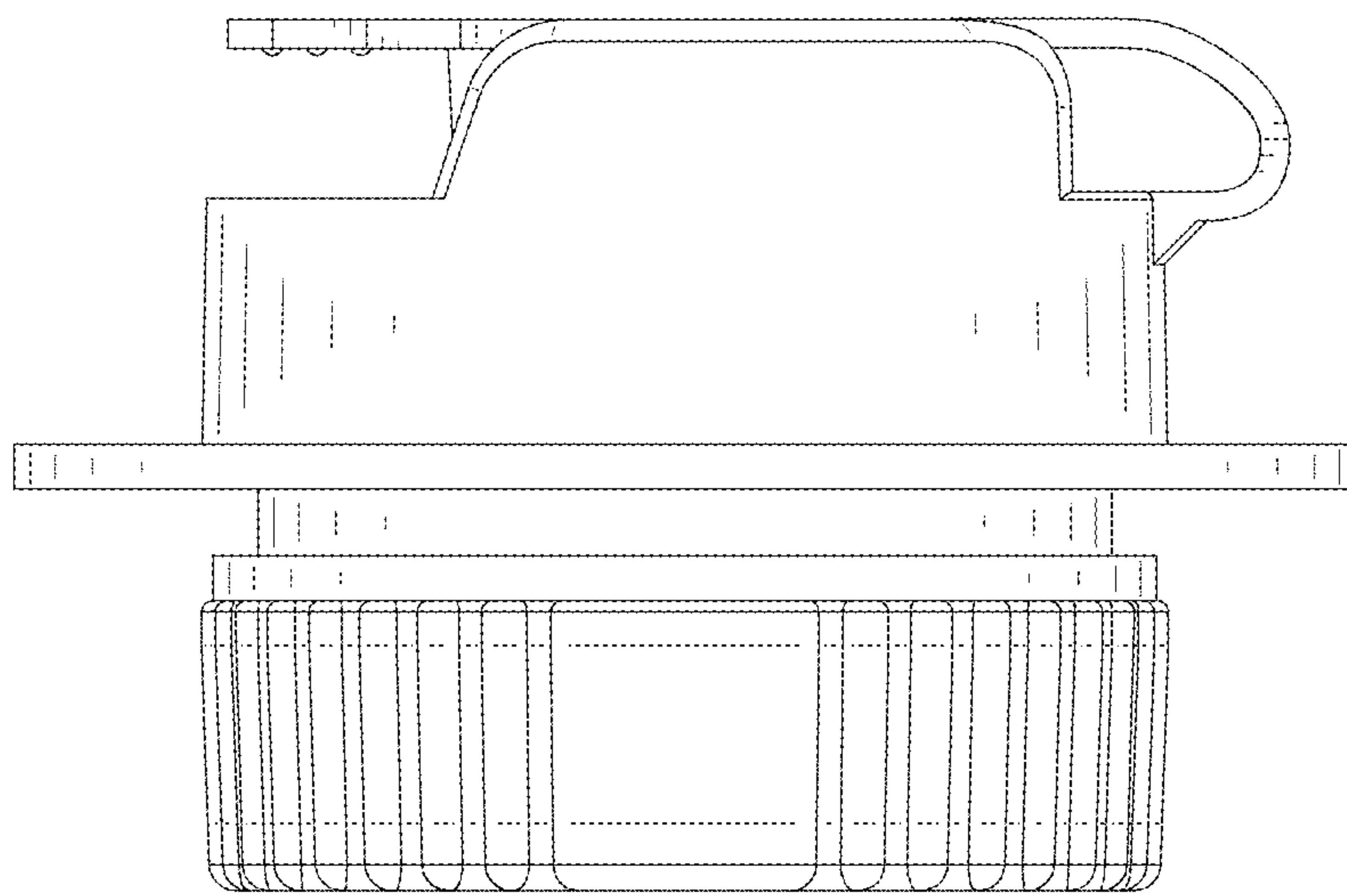


FIG.6



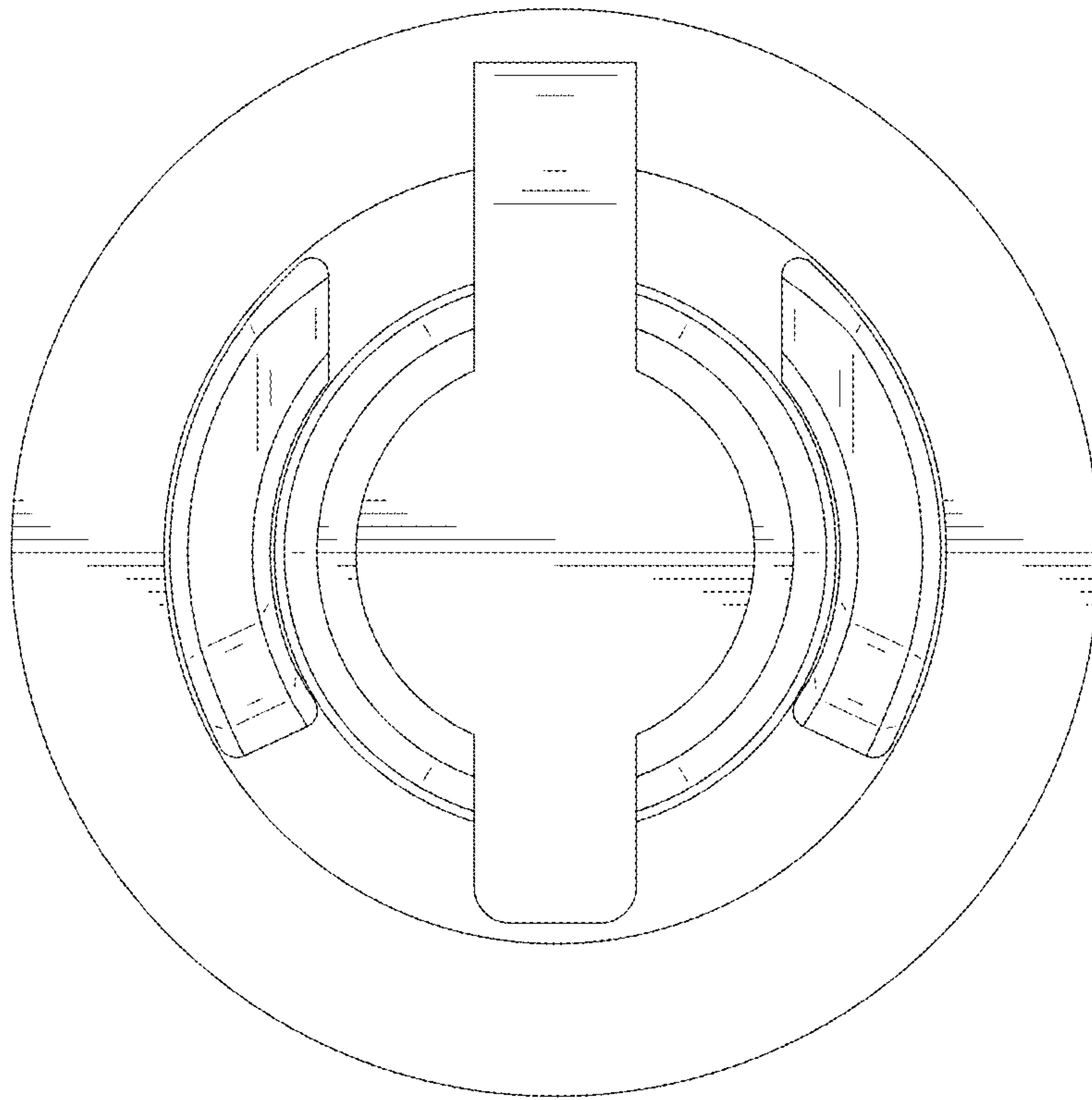


FIG.7

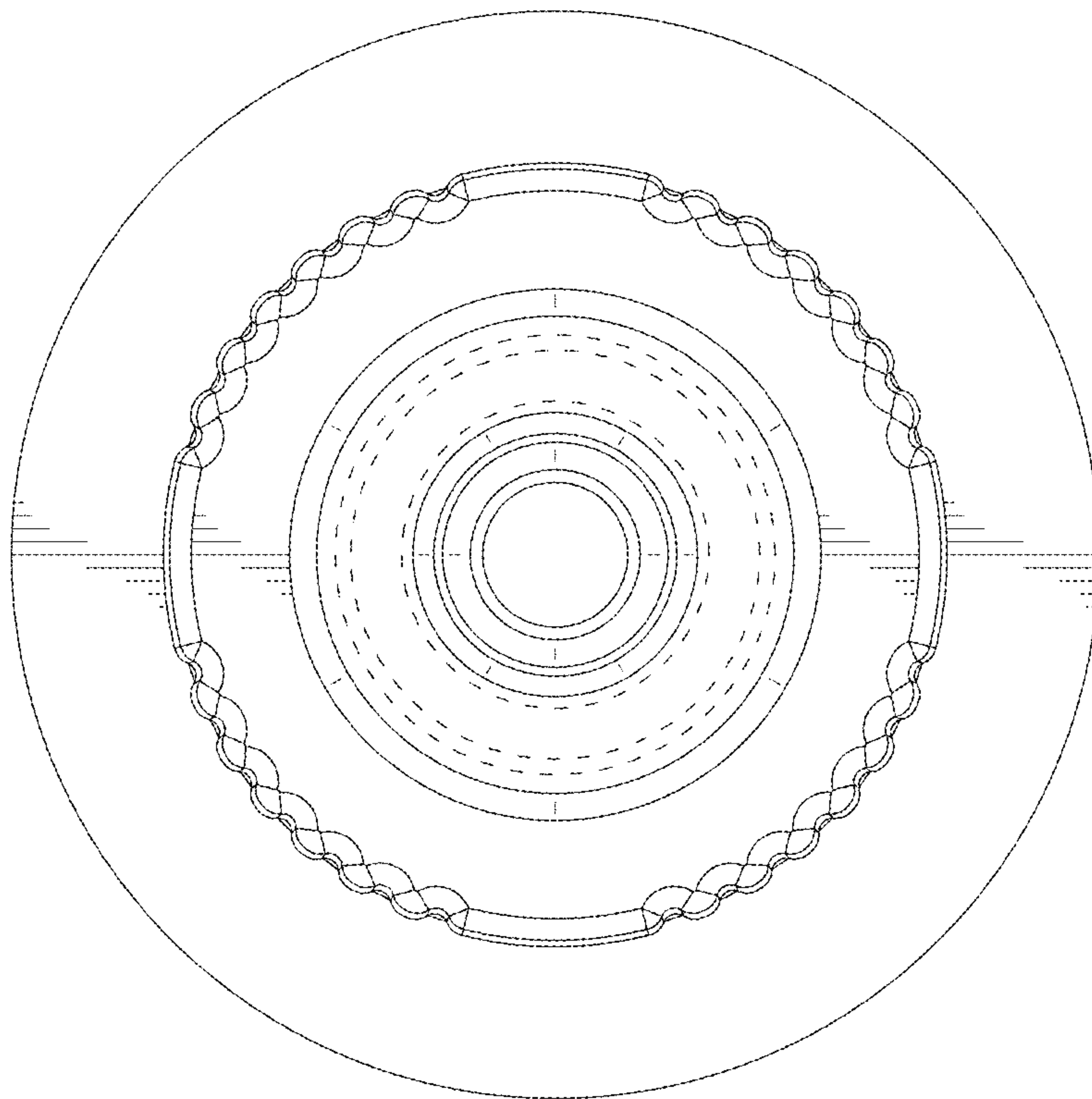


FIG.8

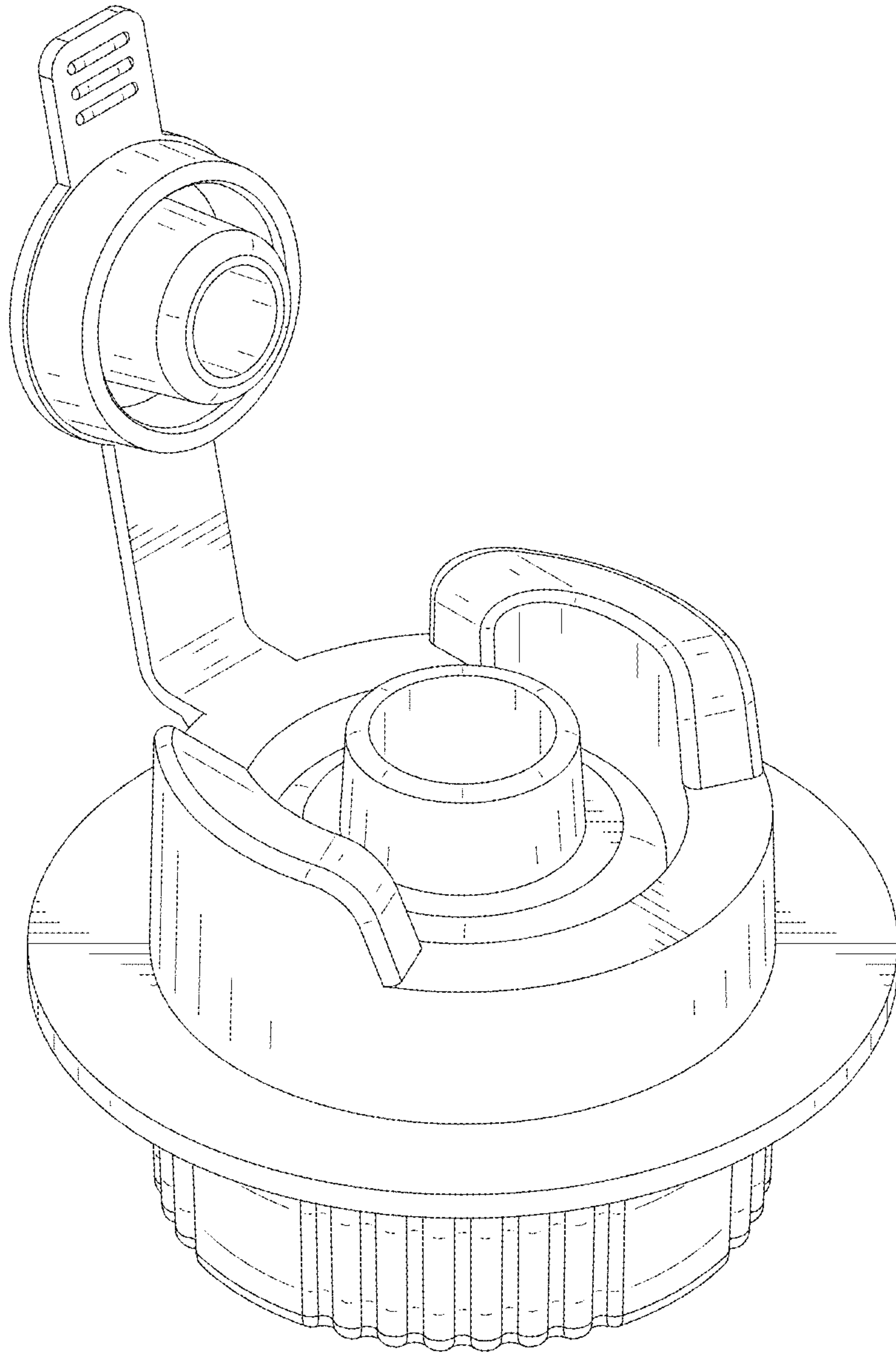


FIG.9

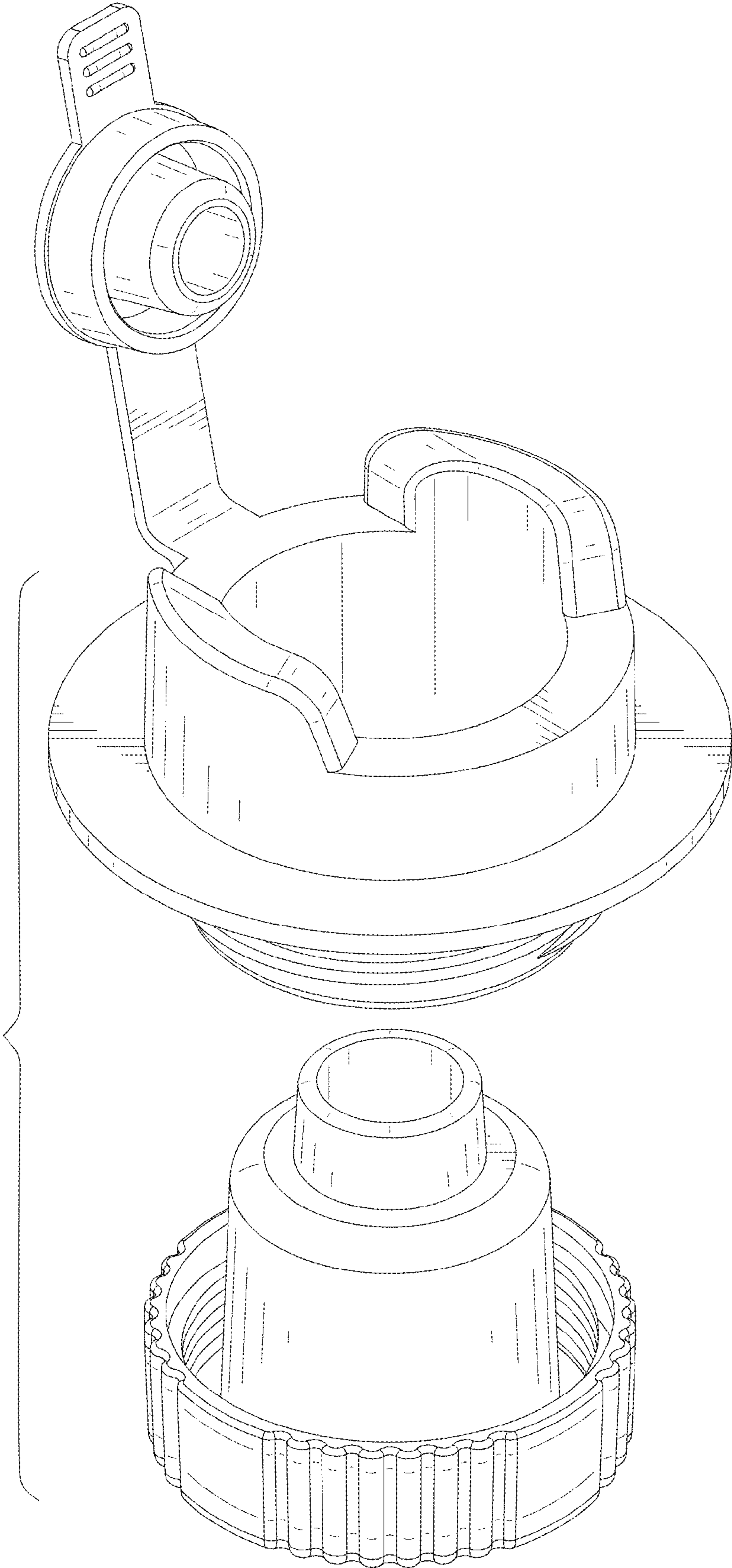


FIG.10