



US00D905826S

(12) **United States Design Patent**
Zhao

(10) **Patent No.:** **US D905,826 S**

(45) **Date of Patent:** **** Dec. 22, 2020**

(54) **FAUCET**

(71) Applicant: **Xiamen Weco Kitchen and Bath Industry Co., Ltd, Fujian (CN)**

(72) Inventor: **Wei-Dong Zhao, Xiamen (CN)**

(73) Assignee: **Xiamen Weco Kitchen and Bath Industry Co., Ltd, Fujian (CN)**

(**) Term: **15 Years**

(21) Appl. No.: **29/696,221**

(22) Filed: **Jun. 26, 2019**

(51) **LOC (12) Cl.** **23-01**

(52) **U.S. Cl.**
USPC **D23/242**

(58) **Field of Classification Search**
USPC D23/238-243, 249-250, 252, 254, 245;
D8/352

See application file for complete search history.

(56) **References Cited**

U.S. PATENT DOCUMENTS

D373,179 S * 8/1996 Sieger D23/241
D495,401 S * 8/2004 Smith D23/252

D519,610 S * 4/2006 Fritz D23/241
D564,073 S * 3/2008 Shieh D23/238
9,328,486 B2 * 5/2016 Chong E03C 1/0404

* cited by examiner

Primary Examiner — Robert A Delehanty

(74) *Attorney, Agent, or Firm* — J.H. Lin Patent Law P.C.; John H. Lin

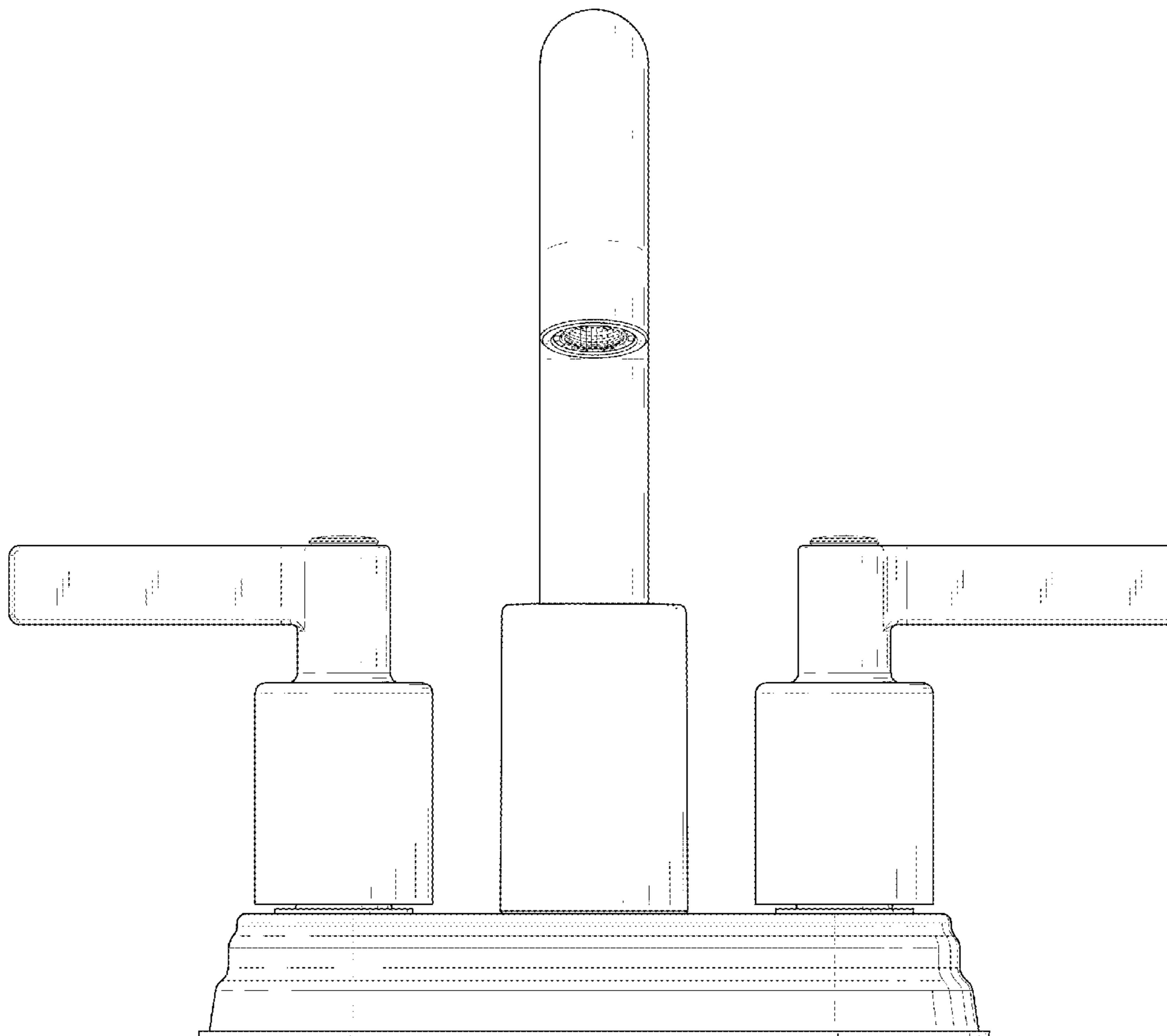
(57) **CLAIM**

The ornamental design for a faucet, as shown and described.

DESCRIPTION

FIG. 1 is a front elevation view of a faucet;
FIG. 2 is a rear elevation view thereof;
FIG. 3 is a right elevation view thereof;
FIG. 4 is a left elevation view thereof;
FIG. 5 is a top plan view thereof;
FIG. 6 is a bottom plan view thereof; and,
FIG. 7 is a perspective view thereof.
The broken lines in the FIGURES show portions of the faucet which form no part of the claimed design.

1 Claim, 7 Drawing Sheets



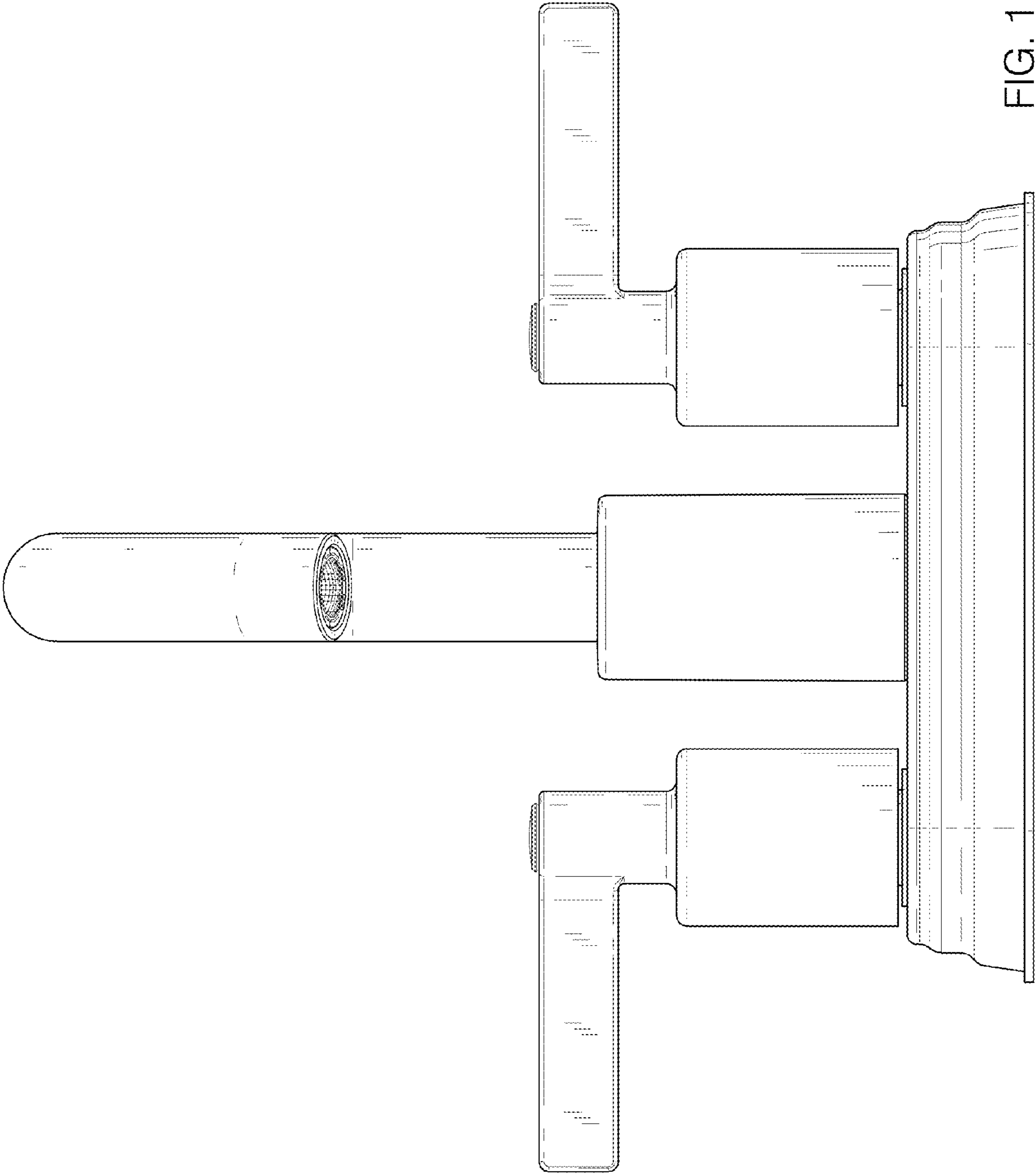
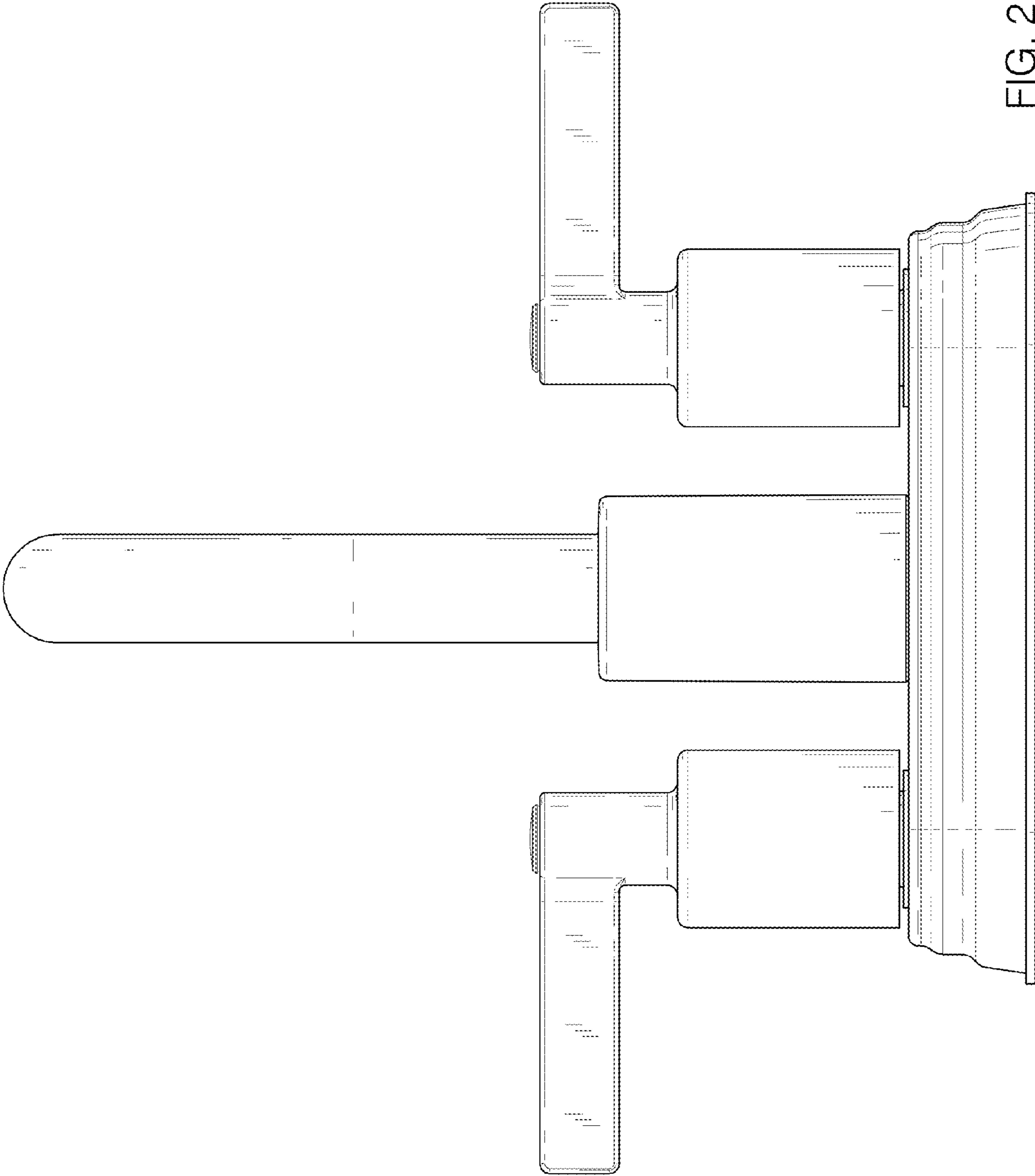


FIG. 1



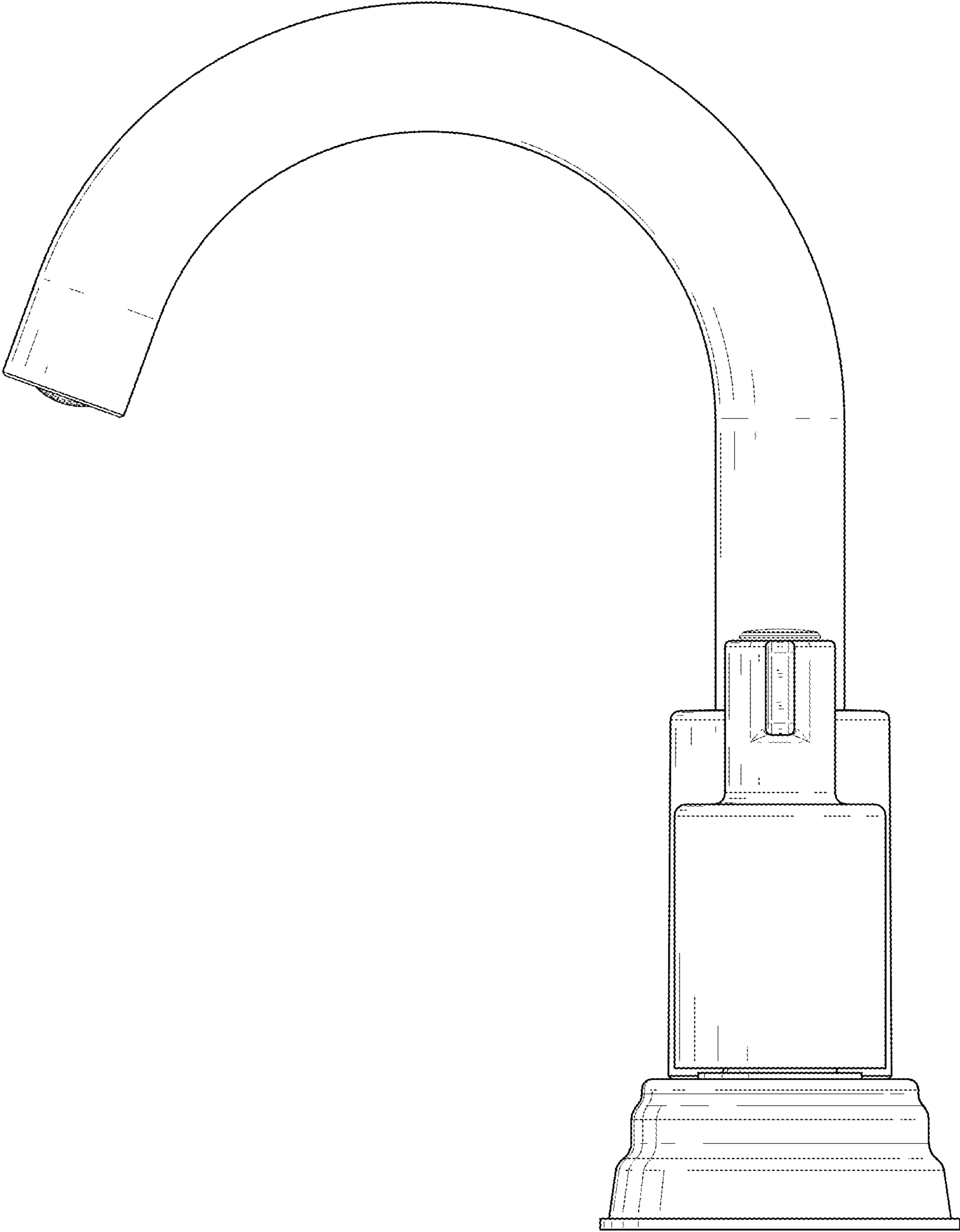


FIG. 3

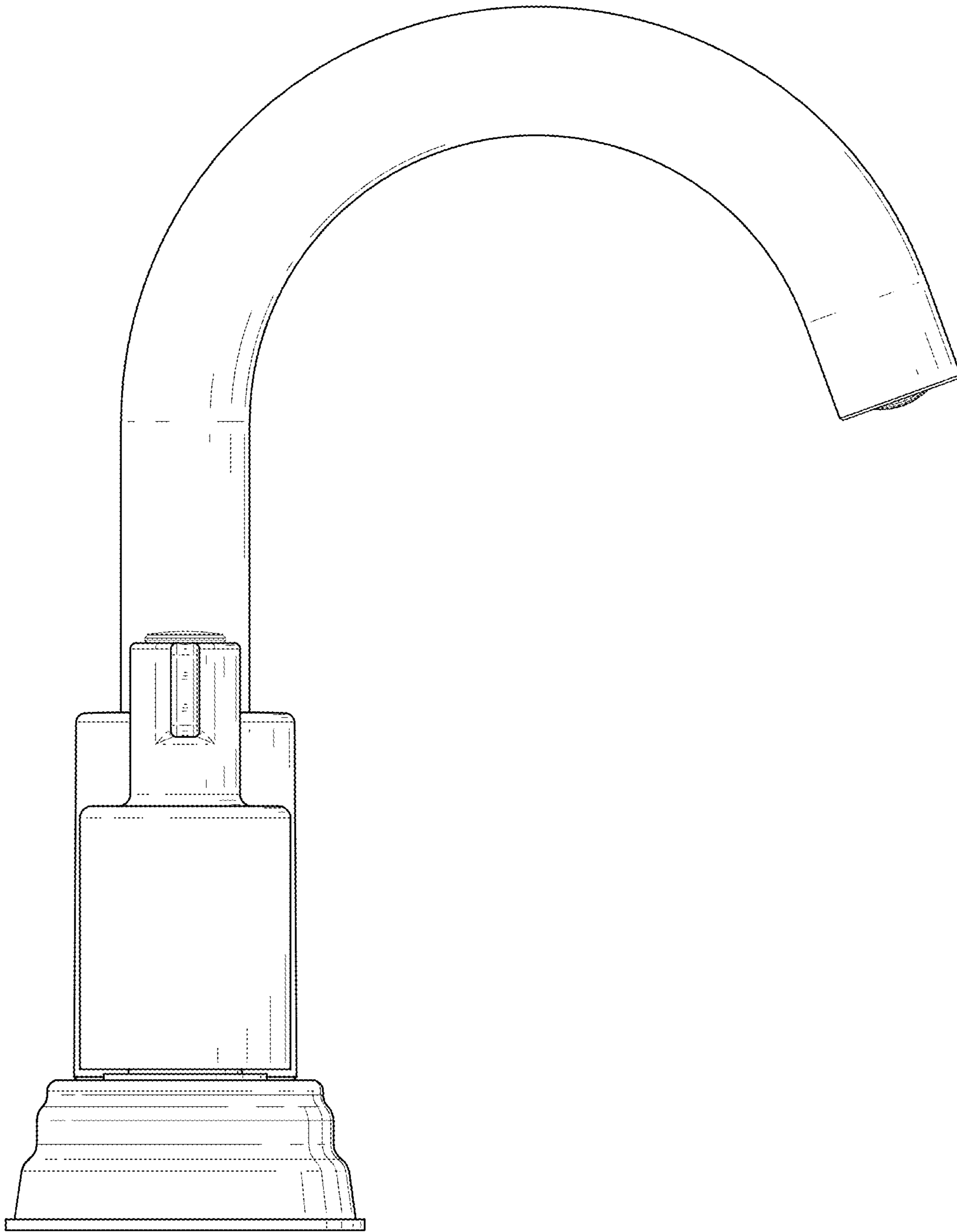


FIG. 4

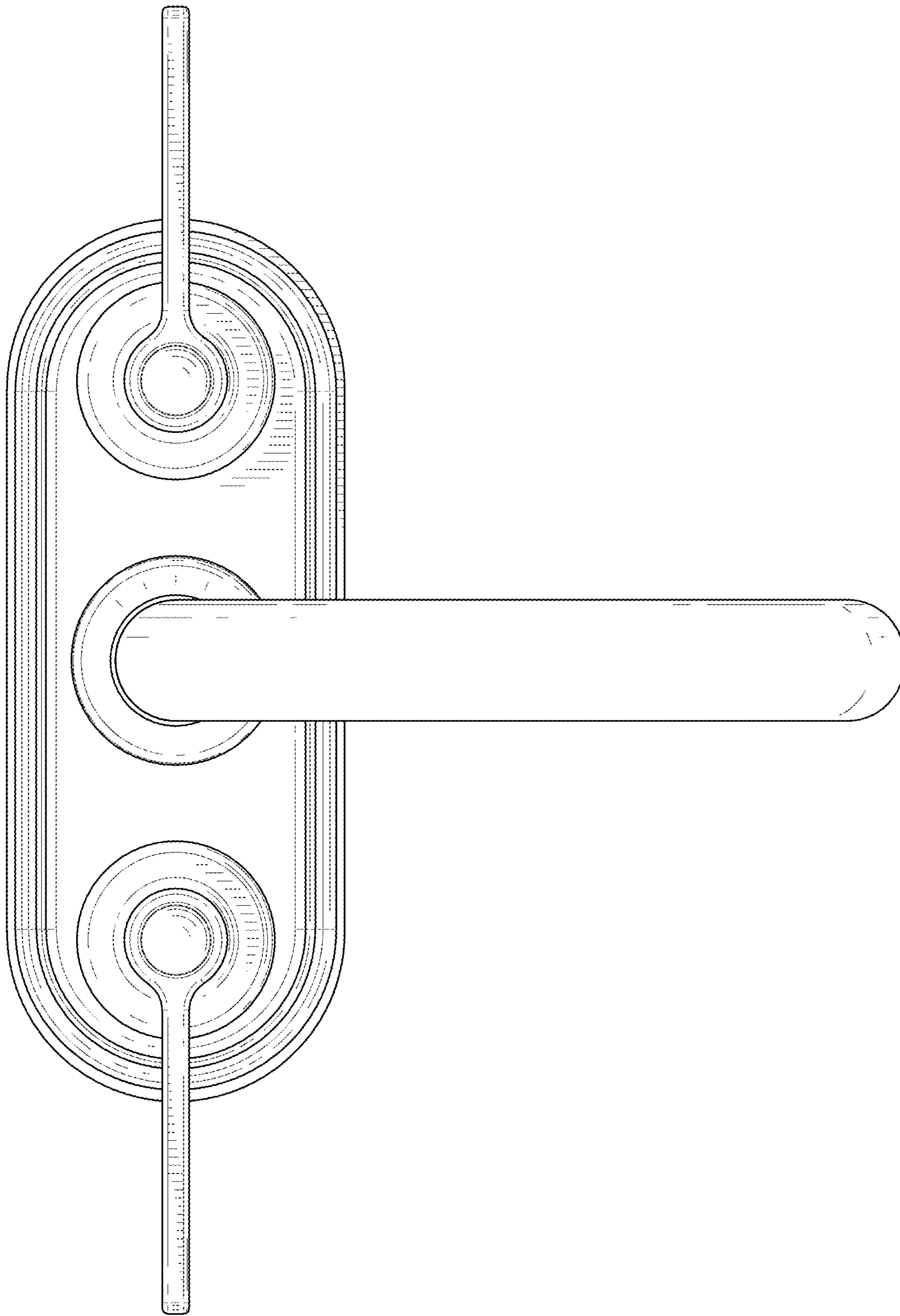


FIG. 5

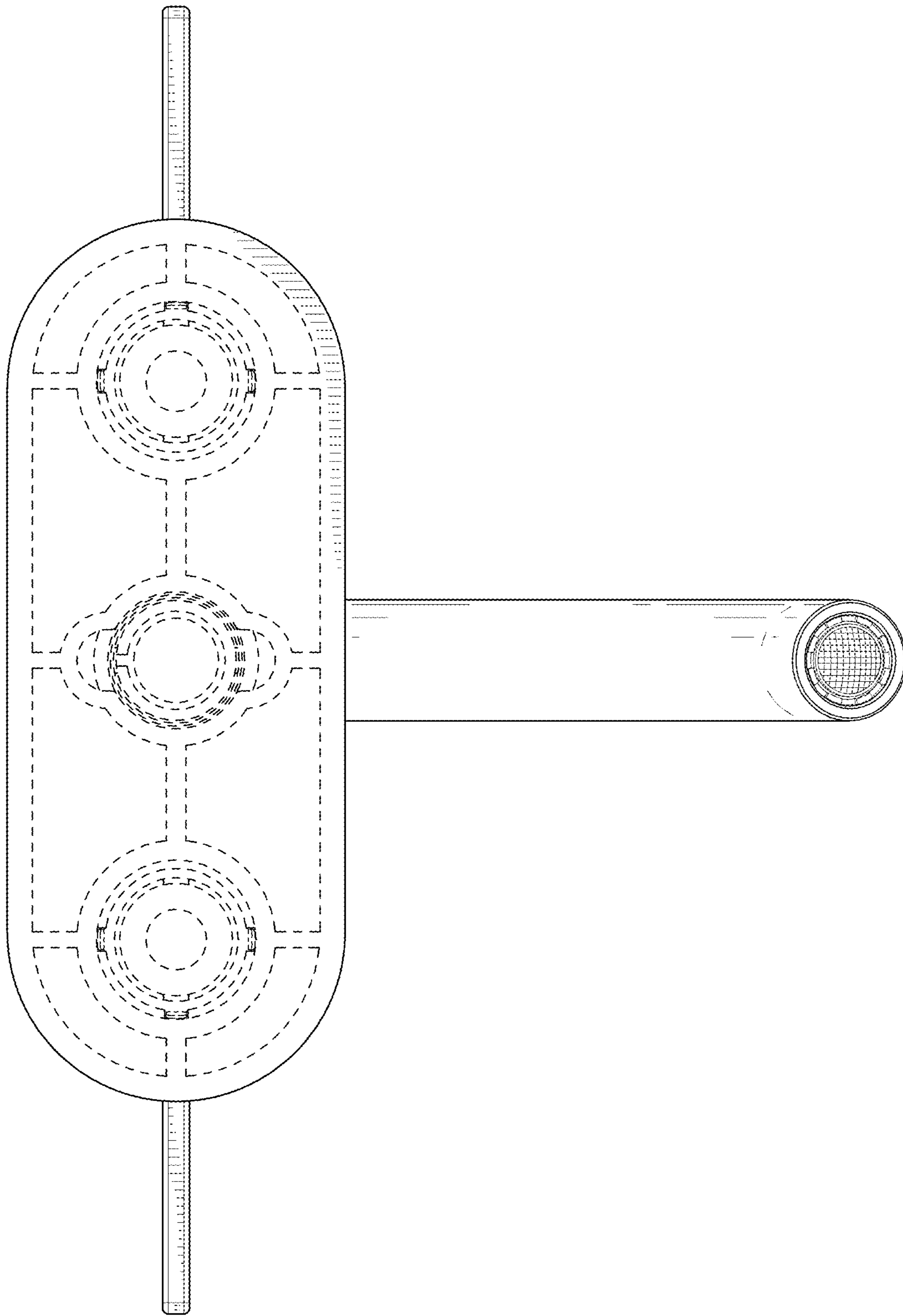


FIG. 6

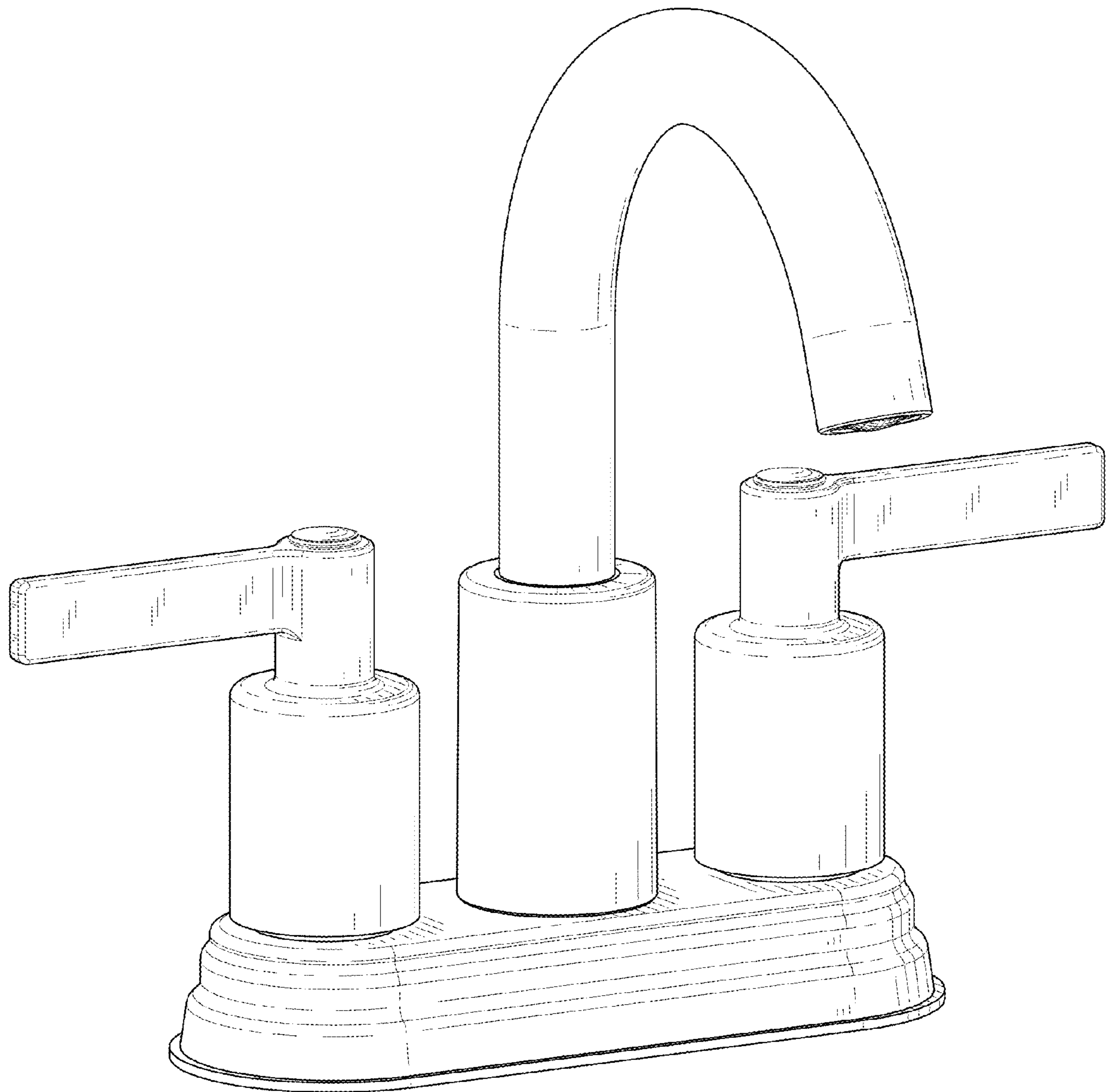


FIG. 7