



US00D905823S

(12) **United States Design Patent**  
**Tobler et al.**

(10) **Patent No.:** **US D905,823 S**

(45) **Date of Patent:** **\*\* Dec. 22, 2020**

(54) **INJECTOR, IN PARTICULAR FOR SPRAY COATING DEVICES**

(71) Applicant: **Gema Switzerland GmbH**, St. Gallen (CH)

(72) Inventors: **Roger Tobler**, St. Gallen (CH); **Marco Sanwald**, Abtwil (CH)

(73) Assignee: **GEMA SWITZERLAND GMBH**, St. Gallen (CH)

(\*\*) Term: **15 Years**

(21) Appl. No.: **29/646,607**

(22) Filed: **May 4, 2018**

(30) **Foreign Application Priority Data**

Nov. 6, 2017 (EM) ..... 004496693

(51) **LOC (12) Cl.** ..... **23-01**

(52) **U.S. Cl.**  
USPC ..... **D23/233**

(58) **Field of Classification Search**  
USPC ..... D23/213, 233, 235-237, 241-249;  
D15/5, 7, 9  
CPC .. F16K 31/0675; F16K 27/029; F16K 27/048;  
F16K 31/082; F16K 31/06; F16K 31/02;  
F16K 31/0606  
See application file for complete search history.

(56) **References Cited**

**U.S. PATENT DOCUMENTS**

D243,609 S \* 3/1977 Mono ..... D23/223  
D348,722 S \* 7/1994 Pippel ..... D23/233  
6,158,195 A \* 12/2000 Andersson ..... B65B 39/004  
53/237  
D465,012 S \* 10/2002 Tauzer ..... D23/213

D559,350 S \* 1/2008 Huang ..... D23/213  
D625,389 S \* 10/2010 Norlander ..... D23/233  
D625,777 S \* 10/2010 Loffler ..... D23/233  
D651,689 S \* 1/2012 Chou ..... D23/213  
D670,786 S \* 11/2012 Mauchle ..... D23/213  
D746,947 S \* 1/2016 Naslund ..... D23/223  
D755,928 S \* 5/2016 Jenne ..... D23/233  
D796,001 S \* 8/2017 Carroll ..... D23/213  
D813,351 S \* 3/2018 Harck ..... D23/233  
D820,392 S \* 6/2018 Caleffi ..... D23/233  
D854,653 S \* 7/2019 Lai ..... D23/223  
D856,480 S \* 8/2019 Andrews ..... D23/233  
D857,163 S \* 8/2019 Yoshimura ..... D23/233  
D859,584 S \* 9/2019 Ramsuer ..... D23/213

**FOREIGN PATENT DOCUMENTS**

WO WO -2018149524 A1 \* 8/2018

\* cited by examiner

*Primary Examiner* — Manpreet S Matharu

*Assistant Examiner* — Keith J Wilson

(74) *Attorney, Agent, or Firm* — Kinney & Lange, P.A.

(57) **CLAIM**

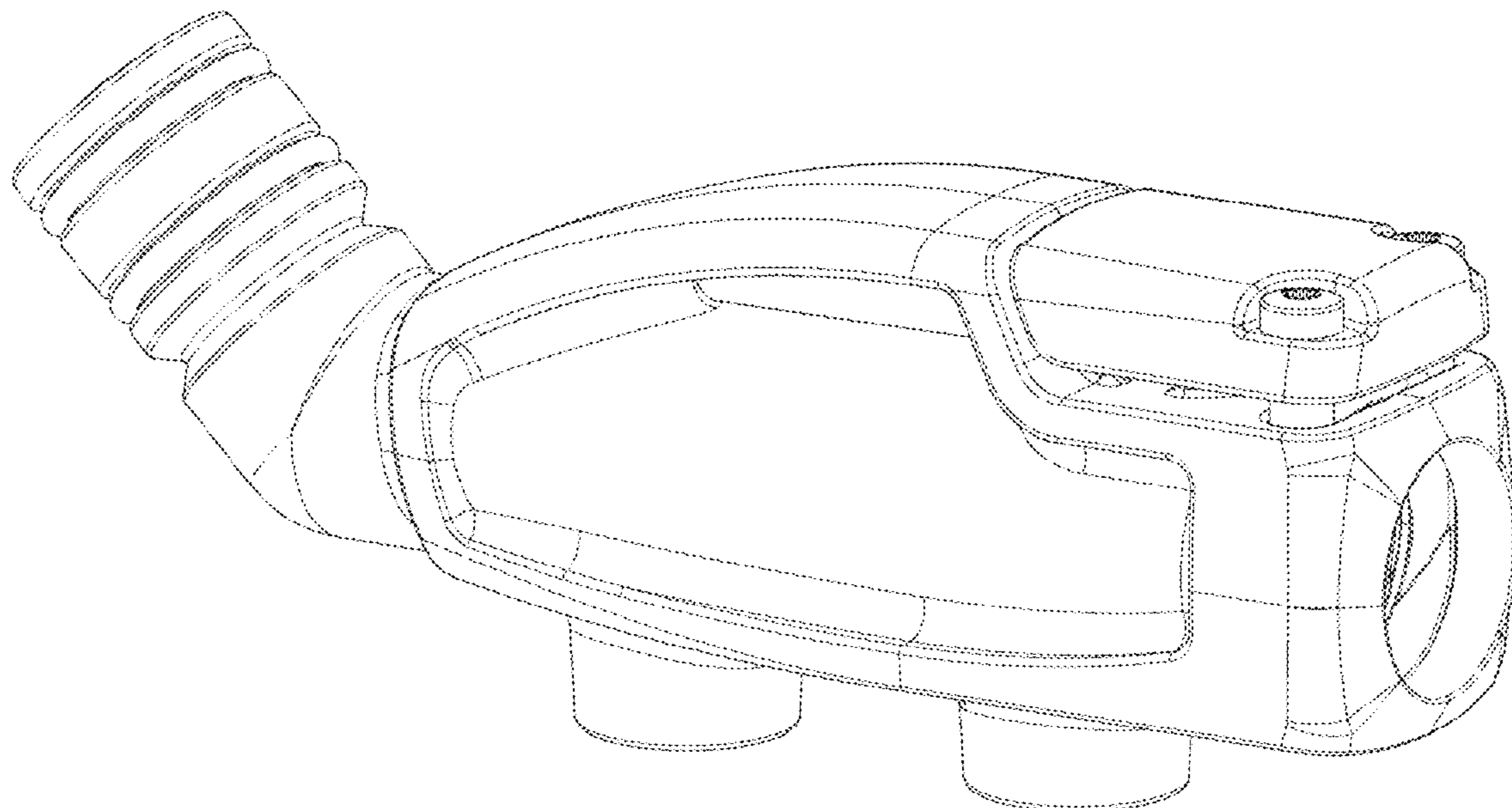
The ornamental design for a injector, in particular for spray coating devices, as shown and described.

**DESCRIPTION**

FIG. 1 is a perspective view;  
FIG. 2 is a front elevational view;  
FIG. 3 is a bottom plan view;  
FIG. 4 is a top plan view;  
FIG. 5 is a right end view; and,  
FIG. 6 is a left end view.

The broken lines shown in the Figures represent portions of the injector, in particular for spray coating devices that form no part of the claimed design.

**1 Claim, 6 Drawing Sheets**



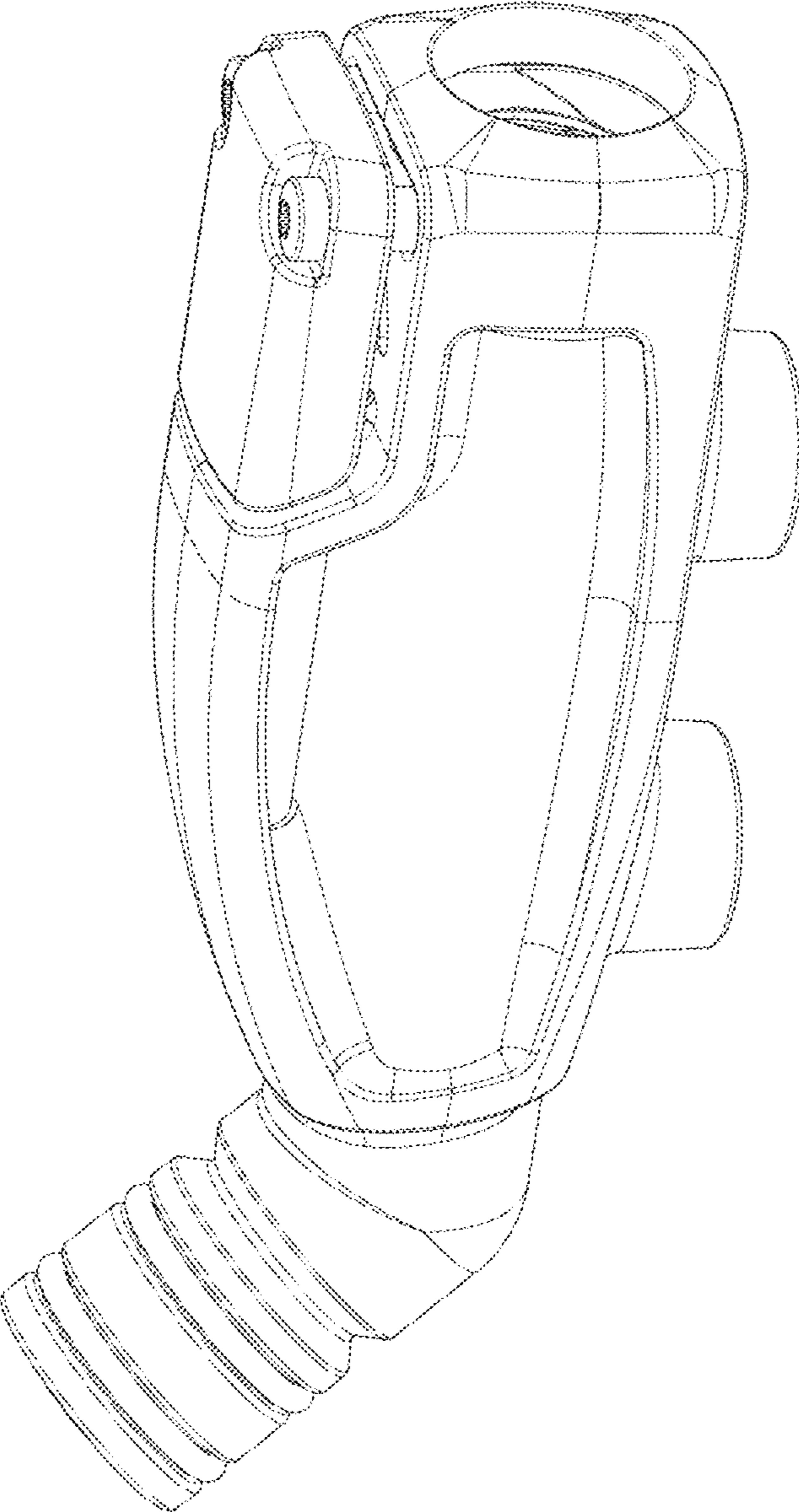


FIG. 1

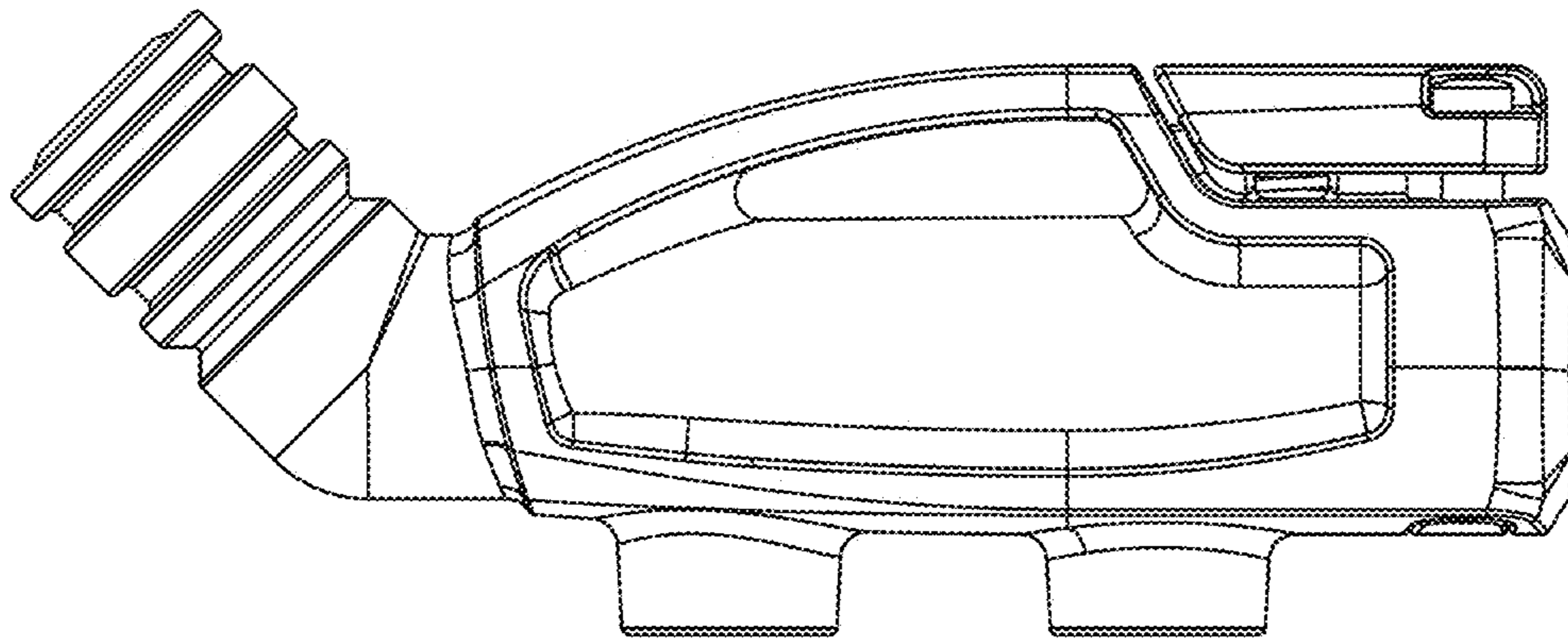


FIG. 2

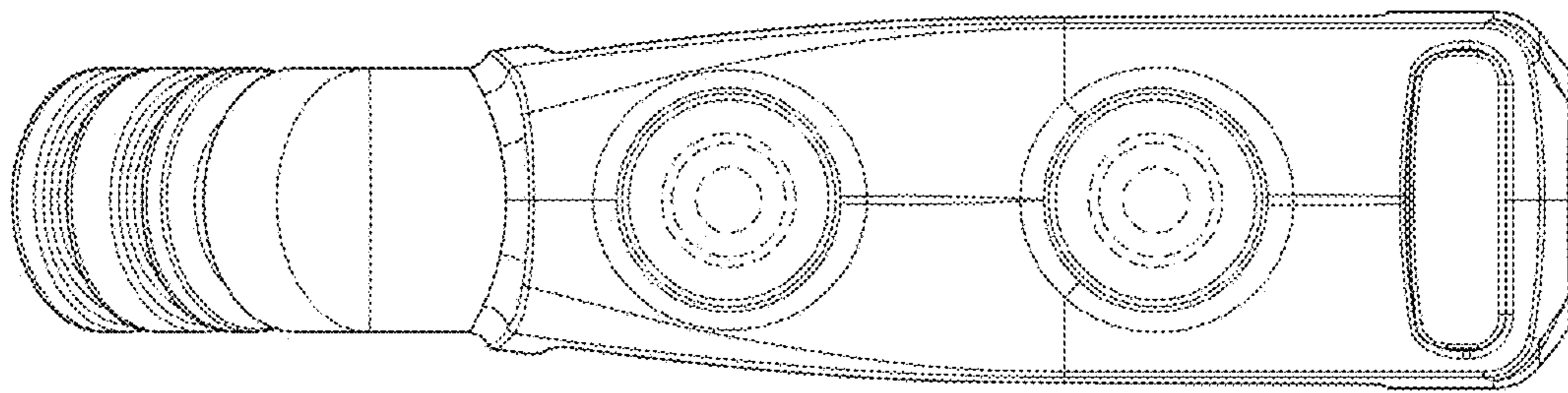


FIG. 3

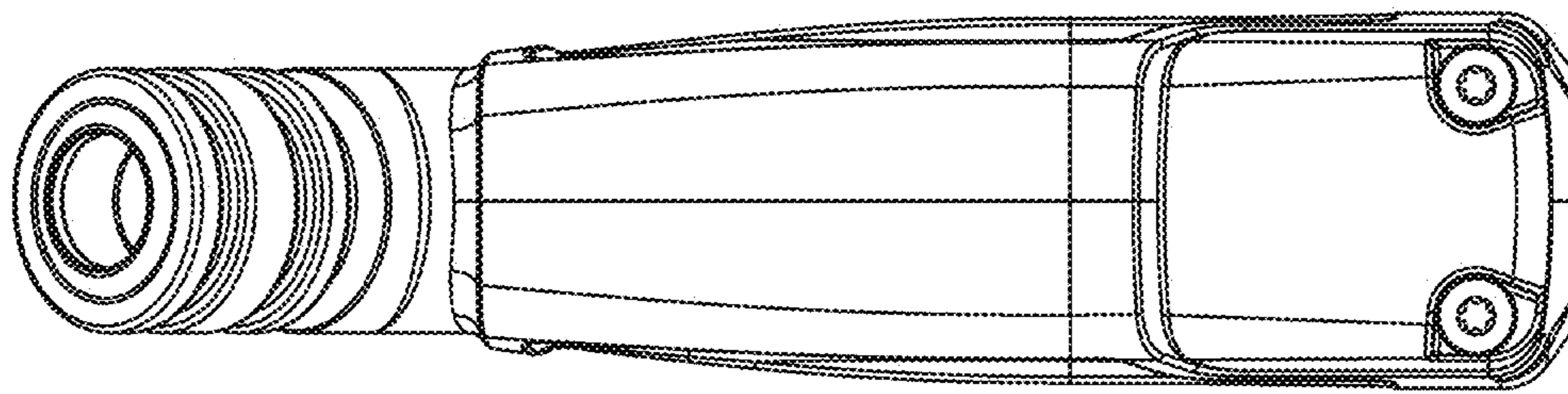


FIG. 4



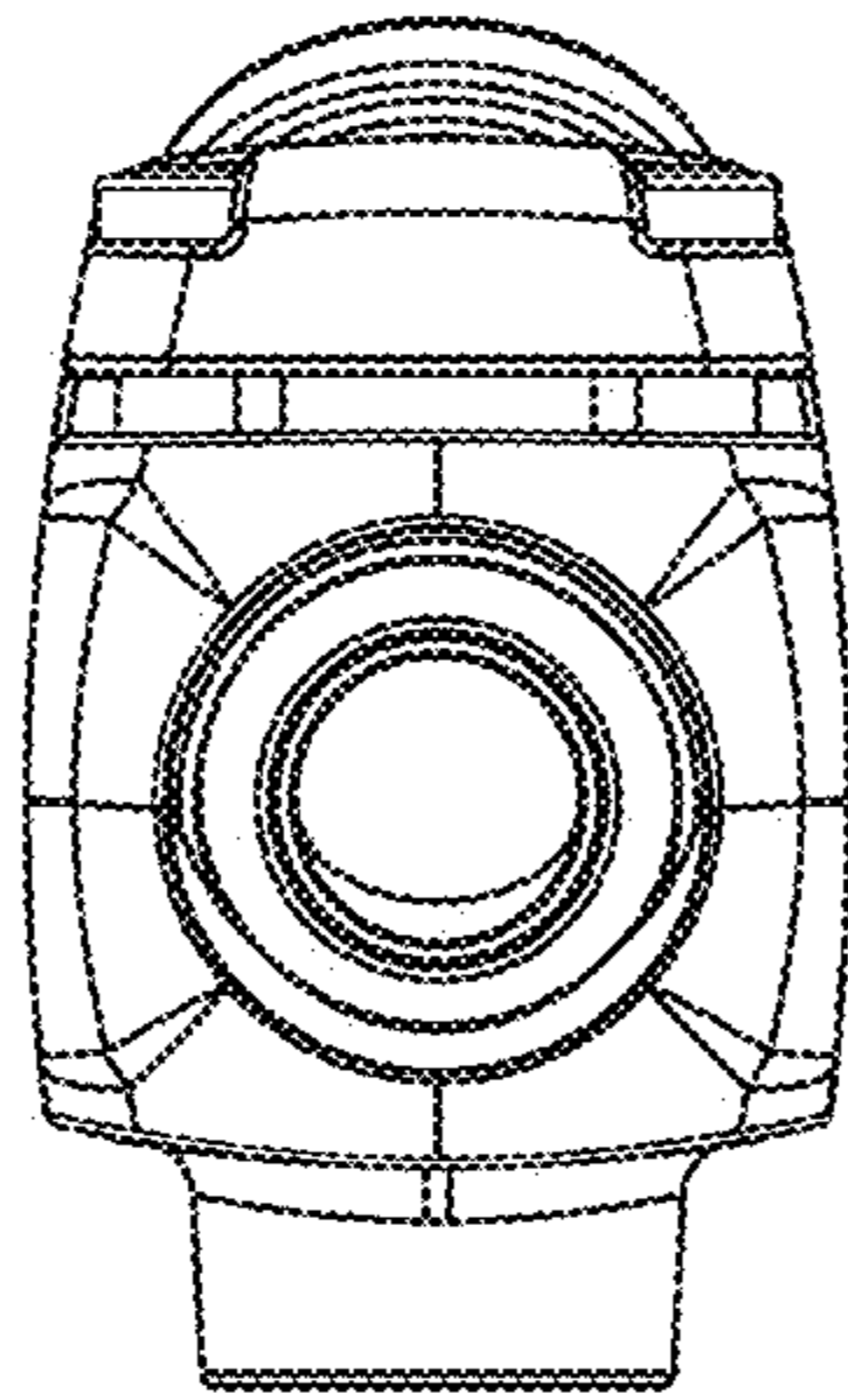


FIG. 5

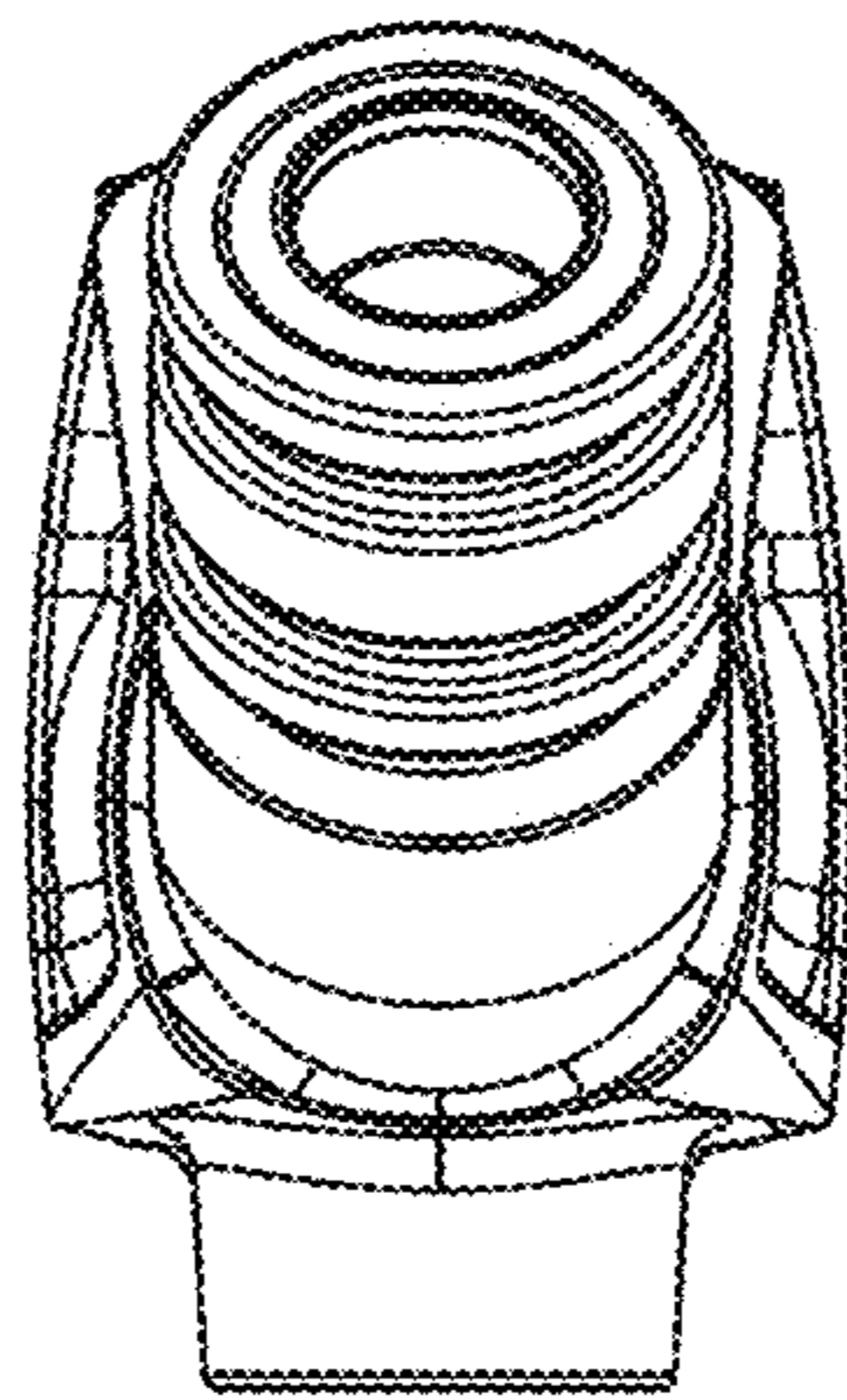


FIG. 6