



US00D905821S

(12) **United States Design Patent**
Ciura

(10) **Patent No.:** **US D905,821 S**

(45) **Date of Patent:** **** Dec. 22, 2020**

(54) **SPRAY GUN**

(71) Applicant: **ROMER Sp. Cywilna Andrzej Ciura, Wojciech Ciura**, Skarzysko-Kamienna (PL)

(72) Inventor: **Wojciech Ciura**, Skarzysko-Kamienna (PL)

(73) Assignee: **ROMER Sp. Cywilna Andrzej Ciura, Wojciech Ciura**, Skarzysko-Kamienna (PL)

(**) Term: **15 Years**

(21) Appl. No.: **29/683,147**

(22) Filed: **Mar. 11, 2019**

(30) **Foreign Application Priority Data**

Sep. 10, 2018 (EM) 005634201-0001

(51) **LOC (12) Cl.** **23-01**

(52) **U.S. Cl.**
USPC **D23/223**

(58) **Field of Classification Search**
USPC D23/213, 214, 215, 223, 224, 226, 229, D23/230

CPC A61H 9/0021; A61H 33/00; B05B 1/00; B05B 1/14; B05B 1/185; B05B 1/08; B05B 1/02; B05B 1/26; B05B 12/002; B05B 1/18; B05B 9/01

See application file for complete search history.

(56) **References Cited**

U.S. PATENT DOCUMENTS

4,583,531 A * 4/1986 Matthen A61C 17/028 601/161
4,660,774 A * 4/1987 Kwok B05B 15/00 239/301
D318,712 S * 7/1991 Buschor D23/226

5,046,486 A * 9/1991 Grulke A61C 17/028 601/161
5,312,333 A * 5/1994 Churinetz A61B 17/00491 604/140
5,332,156 A * 7/1994 Wheeler B05B 15/00 239/288
5,462,204 A * 10/1995 Finn B05B 1/3066 222/137
5,470,305 A * 11/1995 Arnett A61M 3/022 601/161
5,678,770 A * 10/1997 Shah B05B 5/0531 239/690
D397,421 S * 8/1998 Adams D23/226
(Continued)

OTHER PUBLICATIONS

<https://www.amazon.it/aftermarket-ricambio-verniciatura-polvere-elettrostatica/dp/B01LJWST0U> (Year: 2016).*

Primary Examiner — Manpreet S Matharu

Assistant Examiner — Keith J Wilson

(74) *Attorney, Agent, or Firm* — Myers Wolin, LLC

(57) **CLAIM**

The ornamental design for spray gun, as shown and described.

DESCRIPTION

FIG. 1 is a front elevation of spray gun showing my new design, a rear elevation view is a mirror image of the front elevation view thereof;

FIG. 2 is a left side elevation view thereof;

FIG. 3 is a top plan view thereof;

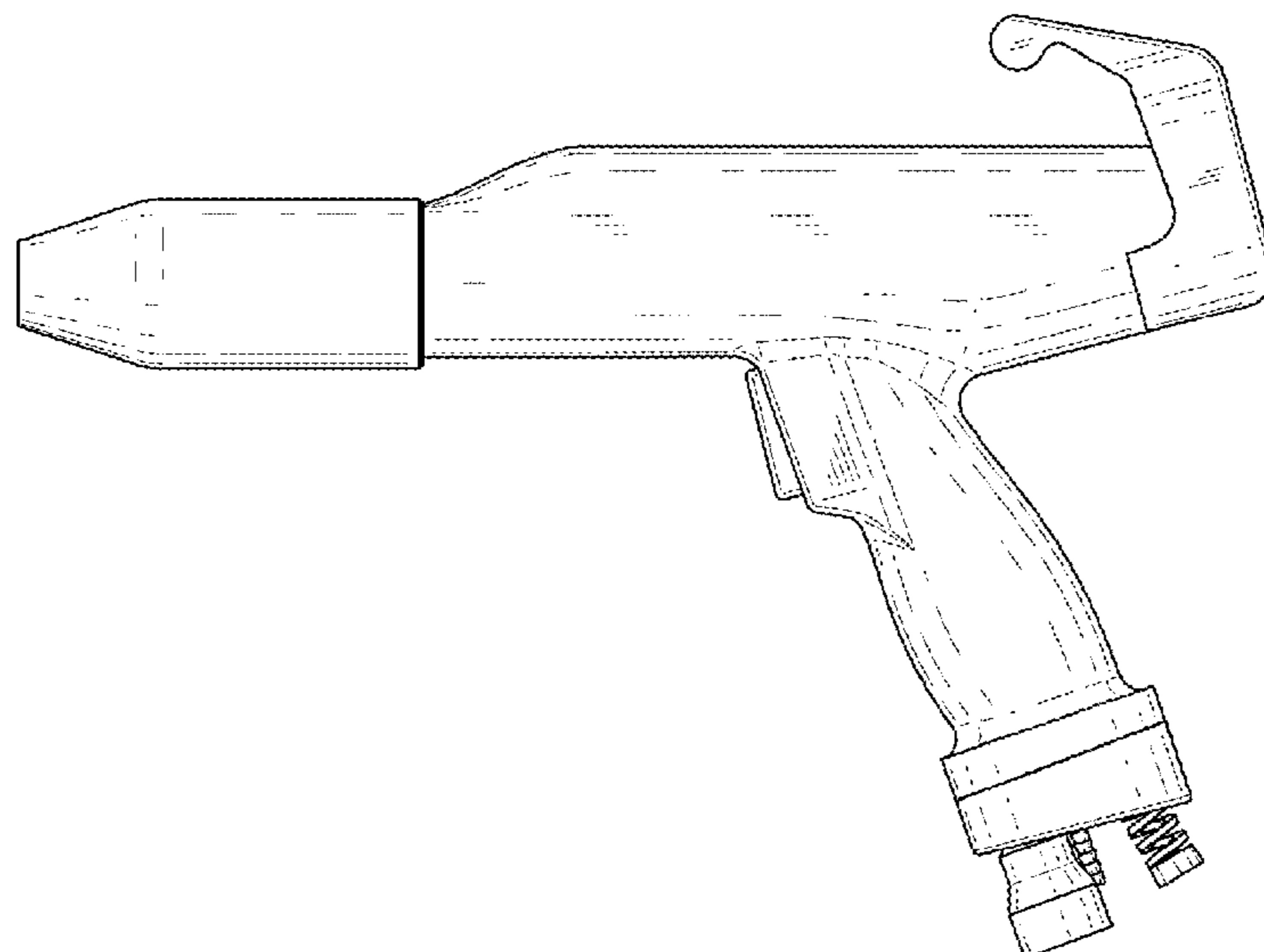
FIG. 4 is a right side elevation view thereof;

FIG. 5 is a bottom plan view thereof; and,

FIG. 6 is a perspective view of one embodiment of spray gun showing my new design thereof.

The broken line showing contour of the circular element of the gun in FIG. 2 is for the purpose of illustrating a portion of the article and forms no part of the claimed design.

1 Claim, 6 Drawing Sheets



(56)

References Cited

U.S. PATENT DOCUMENTS

6,059,754 A * 5/2000 Pasch A61M 3/022
604/152
6,460,787 B1 * 10/2002 Hartle B05B 12/0026
239/691
D627,035 S * 11/2010 Evar D23/226
D657,015 S * 4/2012 Sanwald D23/223
D667,080 S * 9/2012 Sanwald D23/223
D677,362 S * 3/2013 Christopher D23/223
8,460,251 B2 * 6/2013 Ebbett A61D 7/00
604/223
8,584,973 B2 * 11/2013 Mather B05B 15/55
239/526
8,608,091 B2 * 12/2013 Murray B29B 7/7404
239/413
D736,887 S * 8/2015 Schwarz D23/223
D782,005 S * 3/2017 Naslund D23/223
D805,567 S * 12/2017 Kita D15/144.2
D826,025 S * 8/2018 Harrington D8/107
10,245,042 B2 * 4/2019 Koltz A61B 17/1622

* cited by examiner

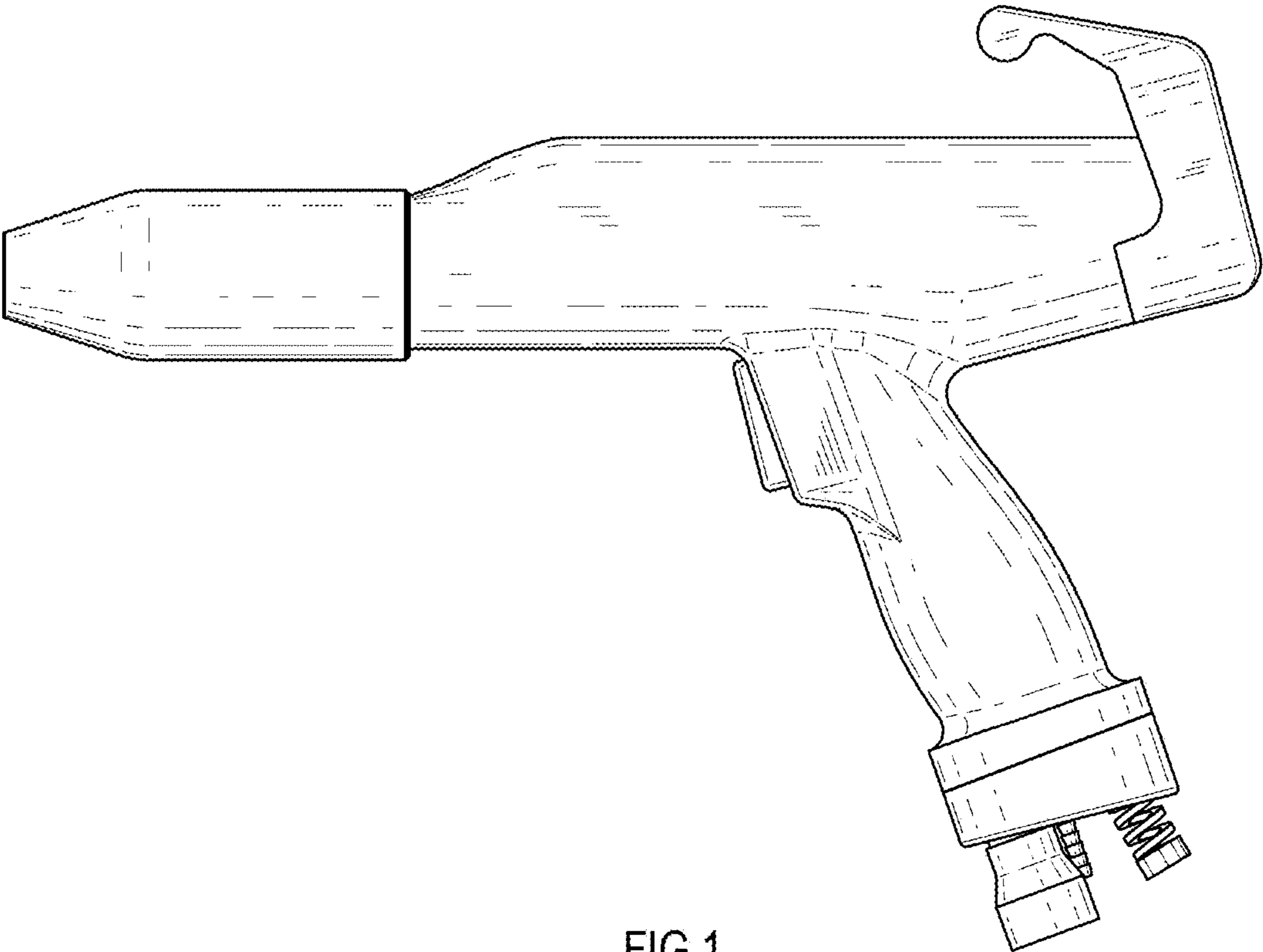


FIG.1

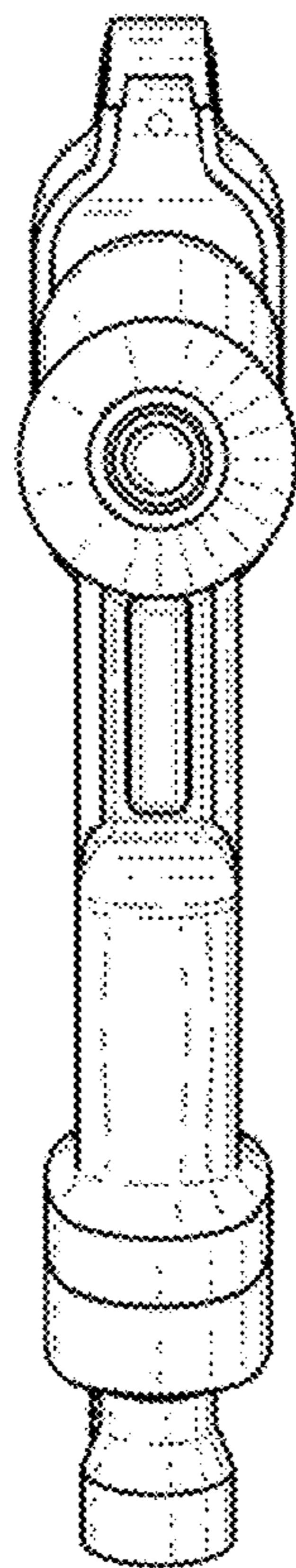


FIG.2

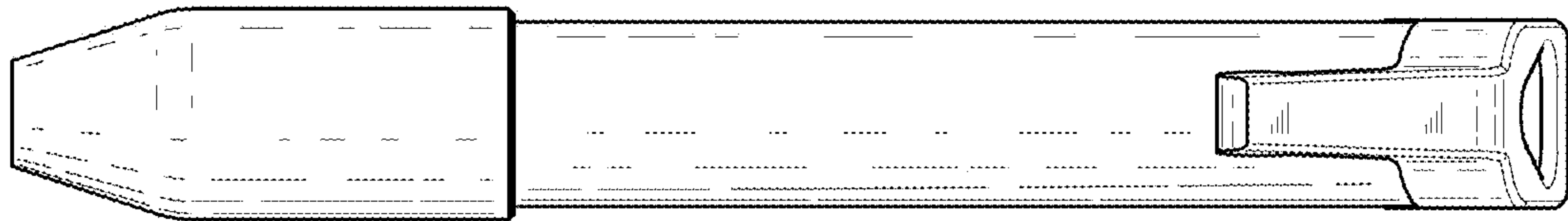


FIG.3

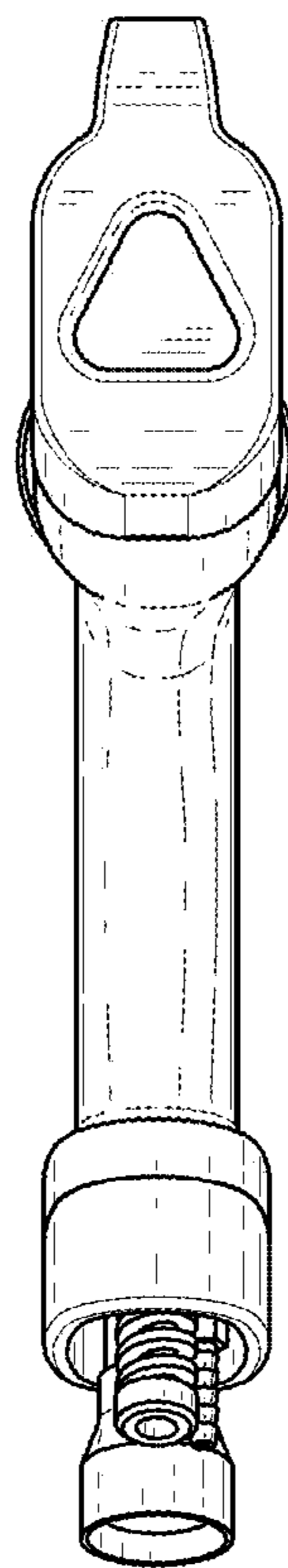


FIG.4

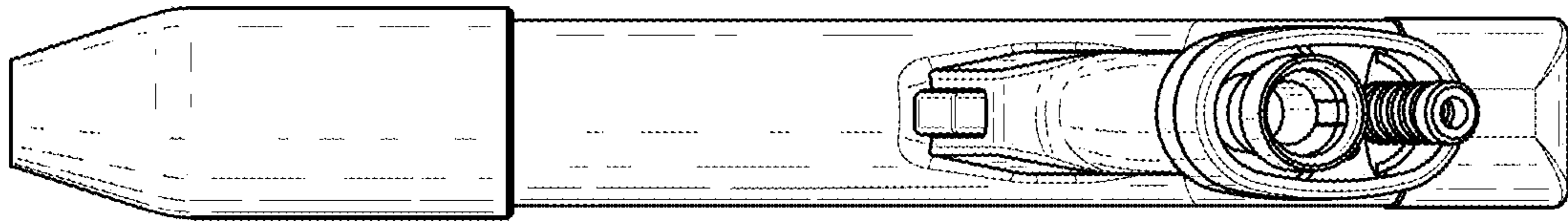


FIG.5

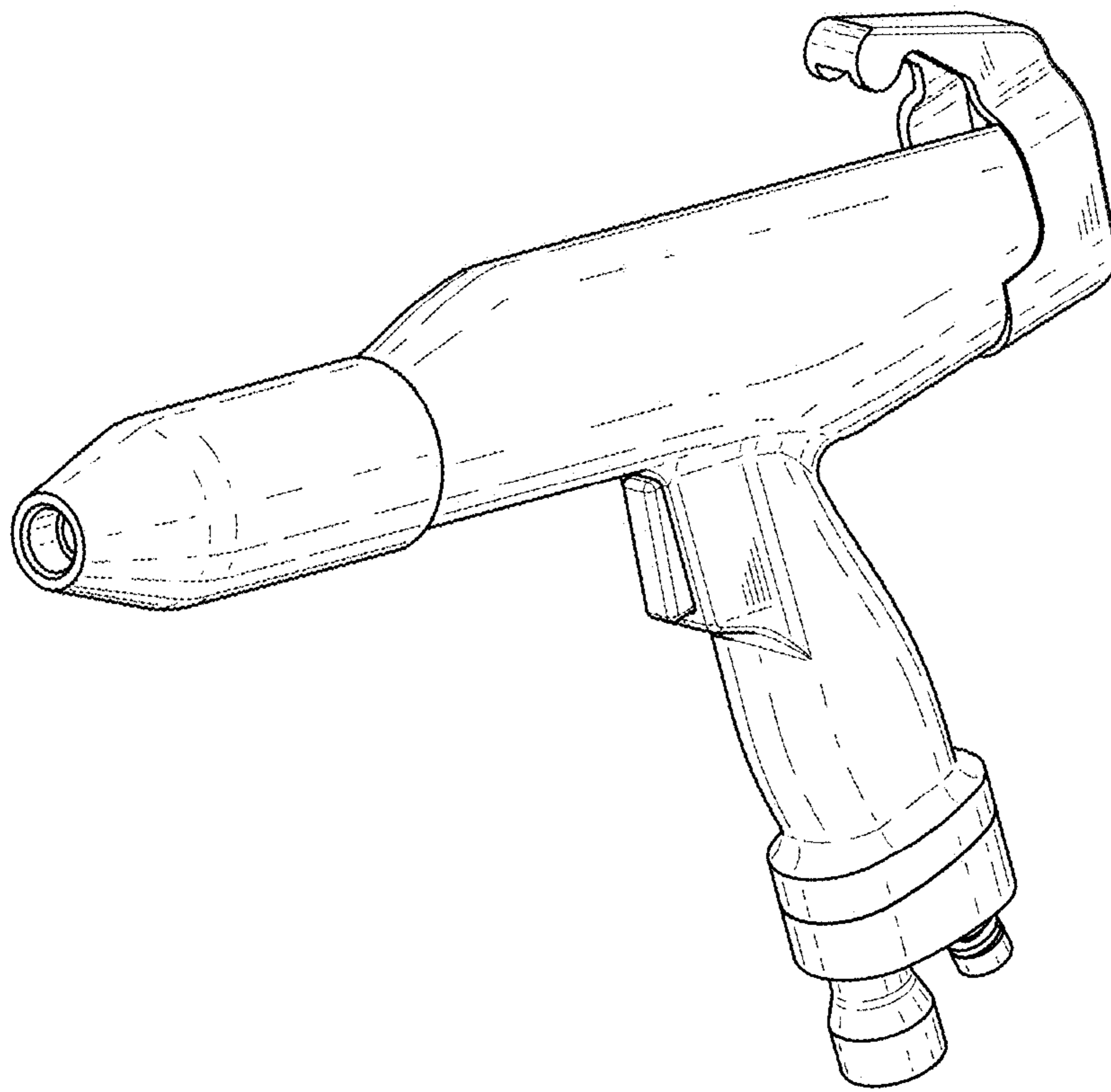


FIG.6