



US00D905820S

(12) **United States Design Patent** (10) **Patent No.:** **US D905,820 S**
Weiß et al. (45) **Date of Patent:** **** Dec. 22, 2020**

(54) **FAUCET STREAM STRAIGHTENER**
(71) Applicant: **Neoperl GmbH**, Mullheim (DE)
(72) Inventors: **Wladimir Weiß**, Gottenheim (DE);
Holger Schürle, Mullheim-Feldbeg (DE)
(73) Assignee: **Neoperl GmbH**, Müllheim (DE)
(**) Term: **15 Years**
(21) Appl. No.: **35/507,389**
(22) Filed: **Mar. 8, 2019**
(80) **Hague Agreement Data**
Int. Filing Date: **Mar. 8, 2019**
Int. Reg. No.: **DM/202542**
Int. Reg. Date: **Mar. 8, 2019**
Int. Reg. Pub. Date: **Sep. 6, 2019**
(51) **LOC (12) Cl.** **23-01**
(52) **U.S. Cl.**
USPC **D23/213**
CPC **E03C 1/08** (2013.01)
(58) **Field of Classification Search**
USPC D23/213, 229, 233, 235, 247-249, 260,
D23/264
CPC B05B 7/0425; E03C 1/08; E03C 1/084;
E03C 1/086; E03C 2001/026
See application file for complete search history.

D849,888 S * 5/2019 Schurle D23/213
D856,475 S * 8/2019 Gessi D23/213
D857,842 S * 8/2019 Yu D23/213
D858,700 S * 9/2019 Stoler D23/223
D861,129 S * 9/2019 Logar D23/213
D863,502 S * 10/2019 Hsieh D23/213
D864,350 S * 10/2019 Logar D23/213
D865,908 S * 11/2019 Hsieh D23/213
D865,909 S * 11/2019 Hsieh D23/213
D866,709 S * 11/2019 Schurle D23/213
D868,936 S * 12/2019 Schurle D23/213
D876,581 S * 2/2020 Hsieh D23/213
D876,583 S * 2/2020 Hayner D23/213
D879,245 S * 3/2020 Eads D23/223
D879,246 S * 3/2020 Eads D23/223
D879,247 S * 3/2020 Stoler D23/223
D885,521 S * 5/2020 Hayner D23/223
D889,602 S * 7/2020 Wu D23/223
D889,603 S * 7/2020 Wu D23/223
D891,579 S * 7/2020 Cai D23/213
D891,581 S * 7/2020 Cheng D23/223
D892,976 S * 8/2020 Zhang D23/223
D892,977 S * 8/2020 Zhang D23/223
D893,675 S * 8/2020 Hayner D23/223

* cited by examiner

Primary Examiner — Richard E Chilcot
(74) *Attorney, Agent, or Firm* — Volpe Koenig

(57) **CLAIM**

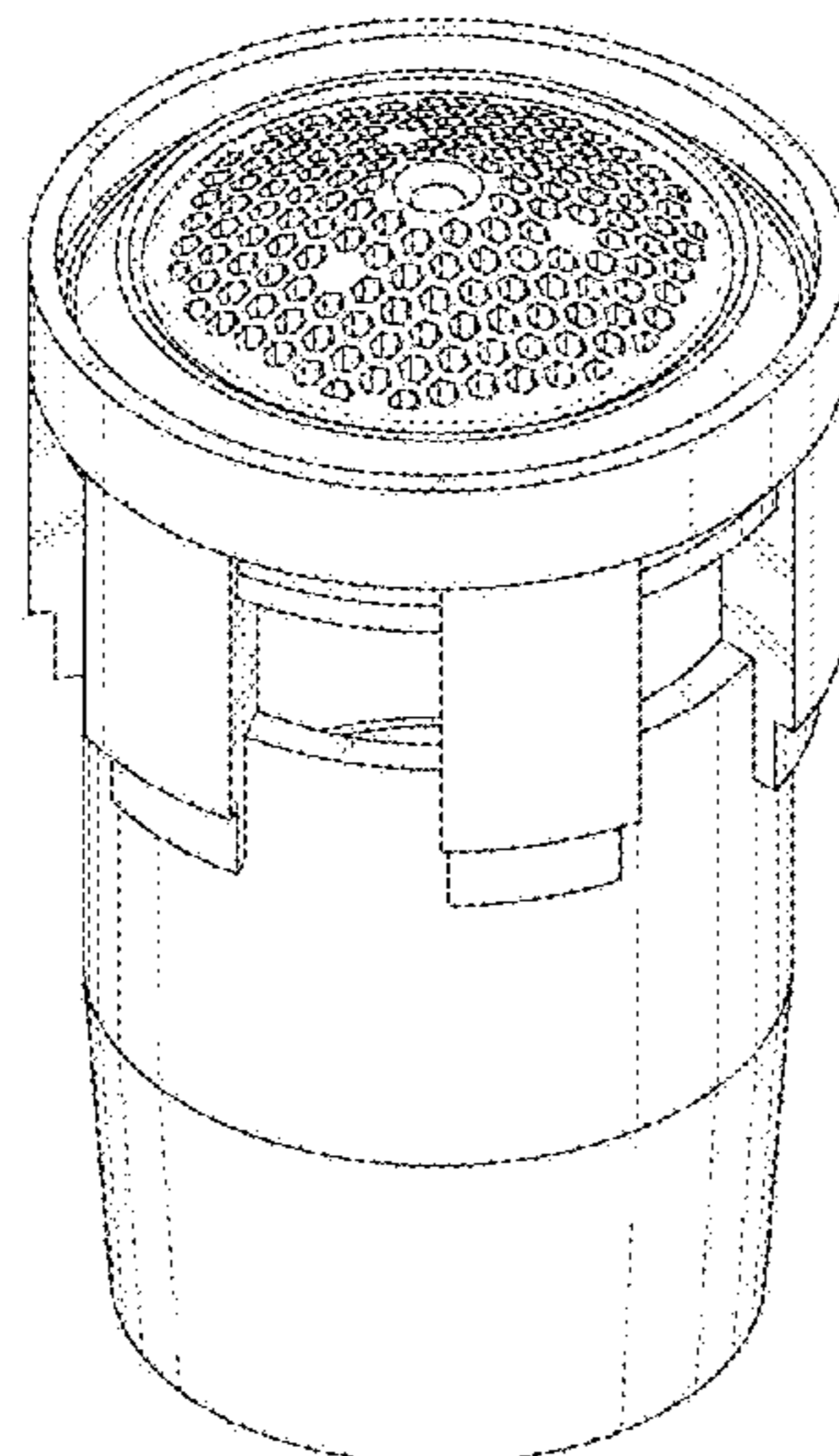
The ornamental design for a faucet stream straightener, as shown and described.

DESCRIPTION

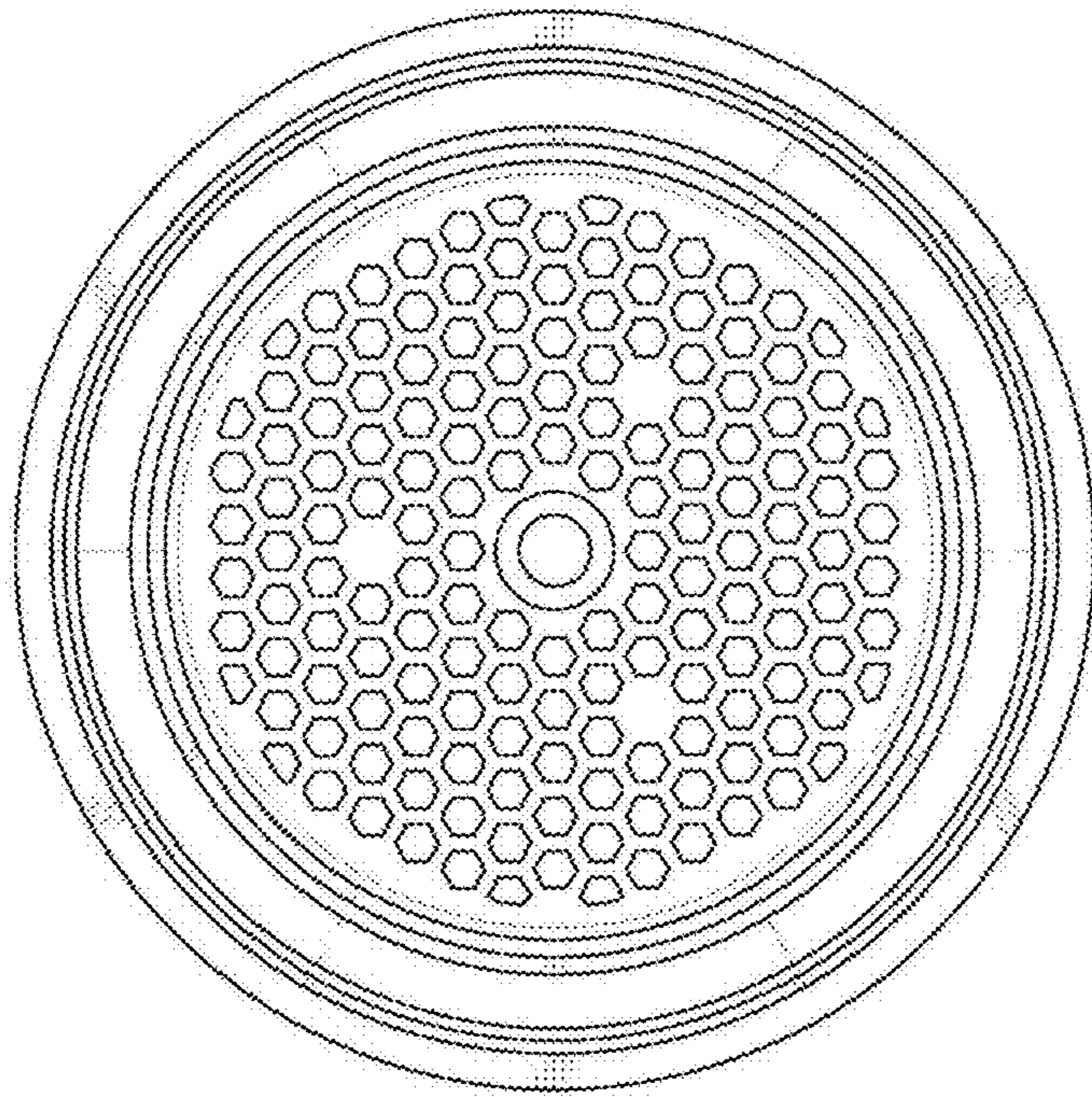
- 1. Faucet stream straightener
- 1.1 : Top
- 1.2 : Perspective
- 1.3 : Bottom
- 1.4 : Perspective
- 1.5 : Left
- 1.6 : Front
- 1.7 : Right
- 1.8 : Back

1 Claim, 8 Drawing Sheets

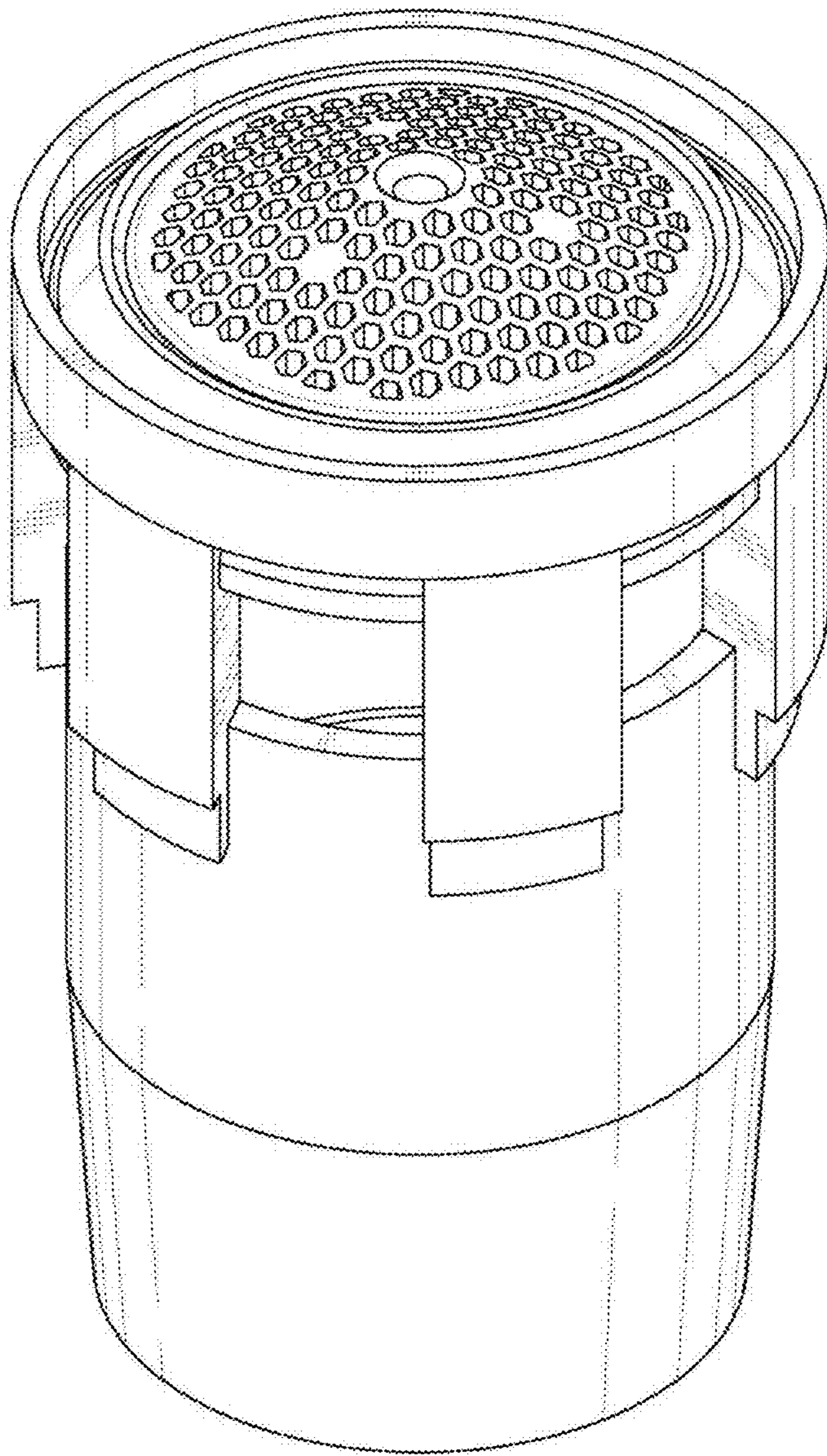
(56) **References Cited**
U.S. PATENT DOCUMENTS
D753,792 S * 4/2016 Blum D23/213
D776,240 S * 1/2017 Huang D23/213
D776,242 S * 1/2017 Blum D23/213
D788,264 S * 5/2017 Stein D23/213
D822,159 S * 7/2018 Tempel D23/213
D840,503 S * 2/2019 Stein D23/213
D844,747 S * 4/2019 Blum D23/213
D844,748 S * 4/2019 Schurle D23/213



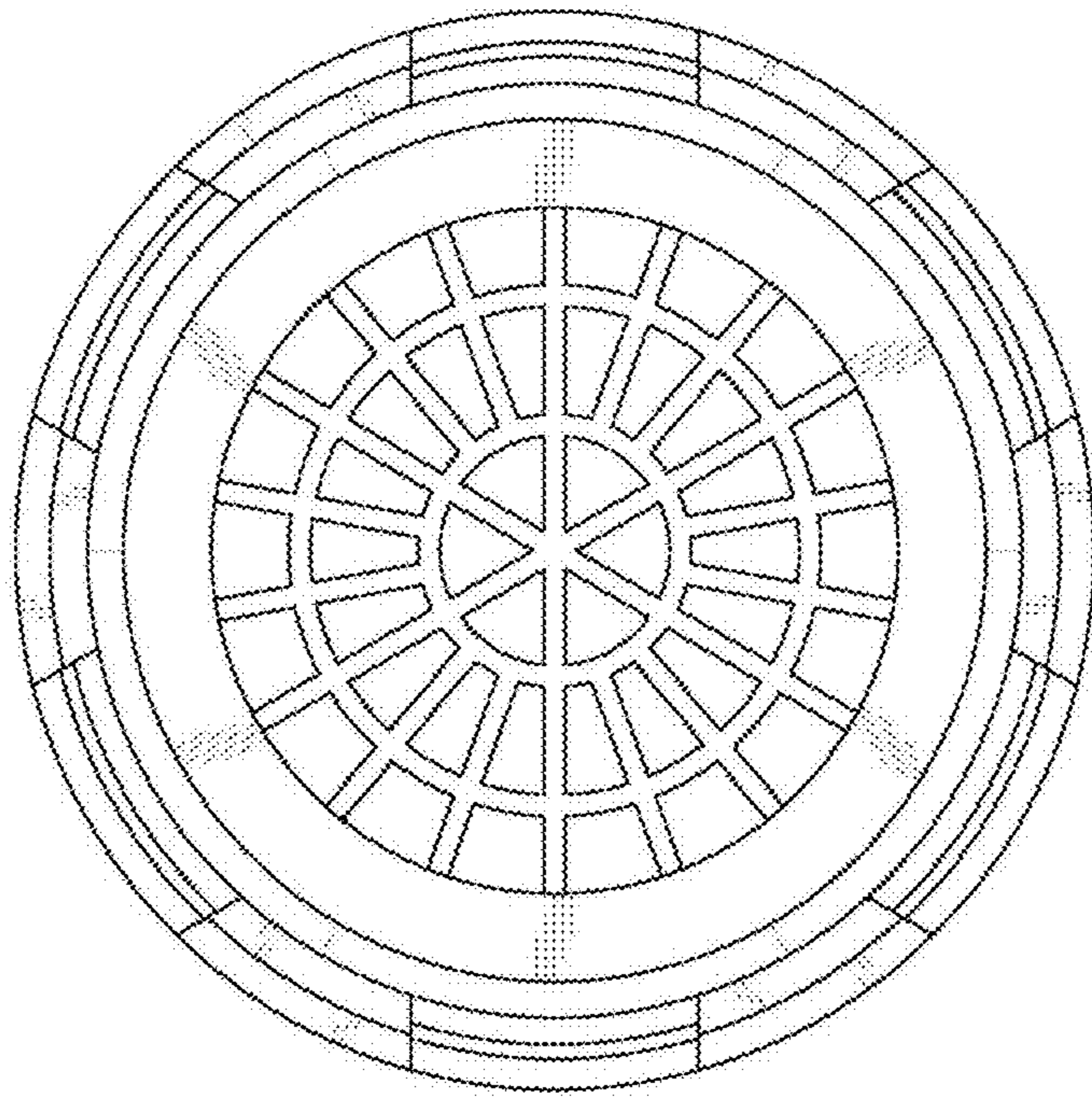
1.1



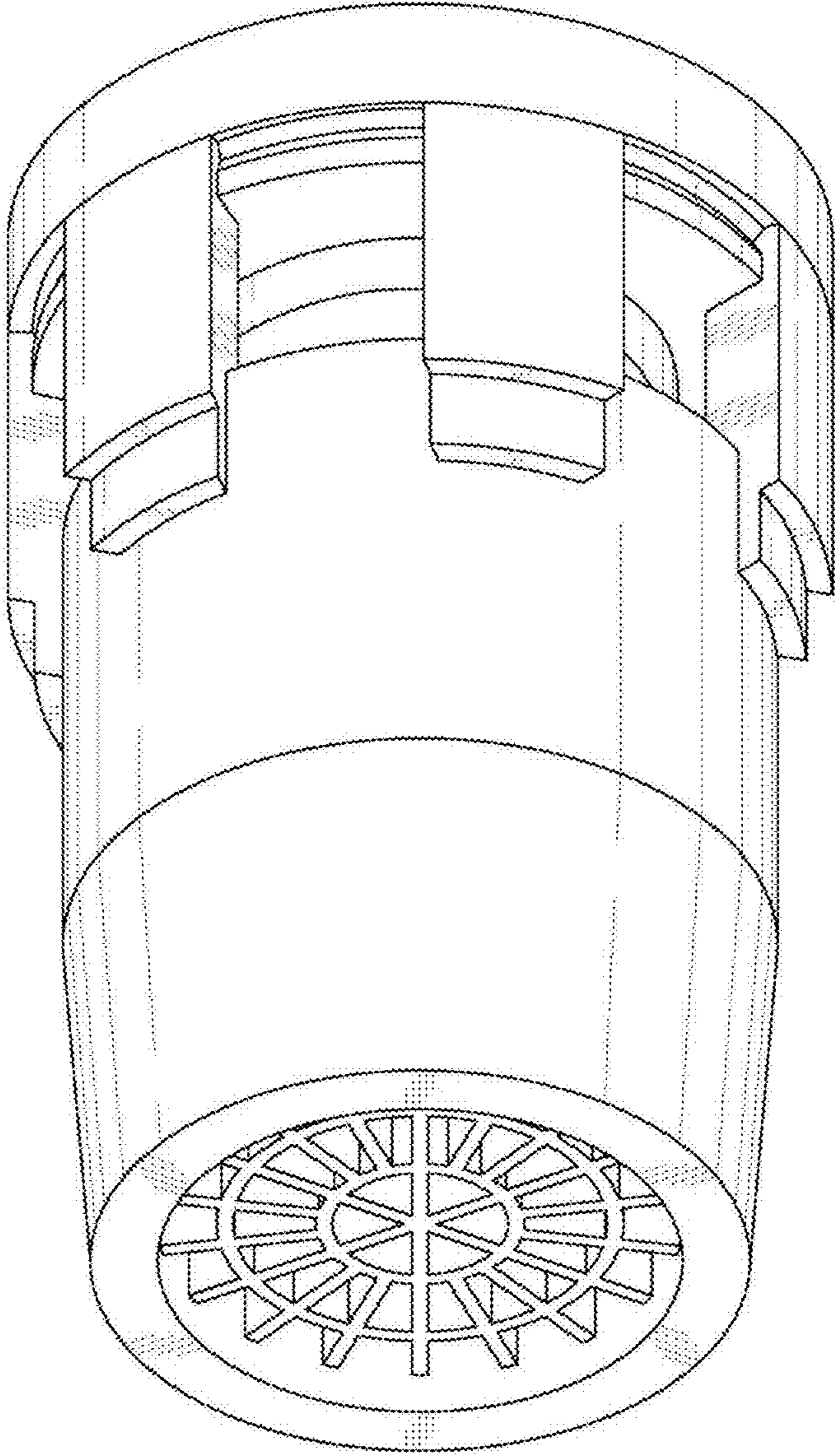
1.2



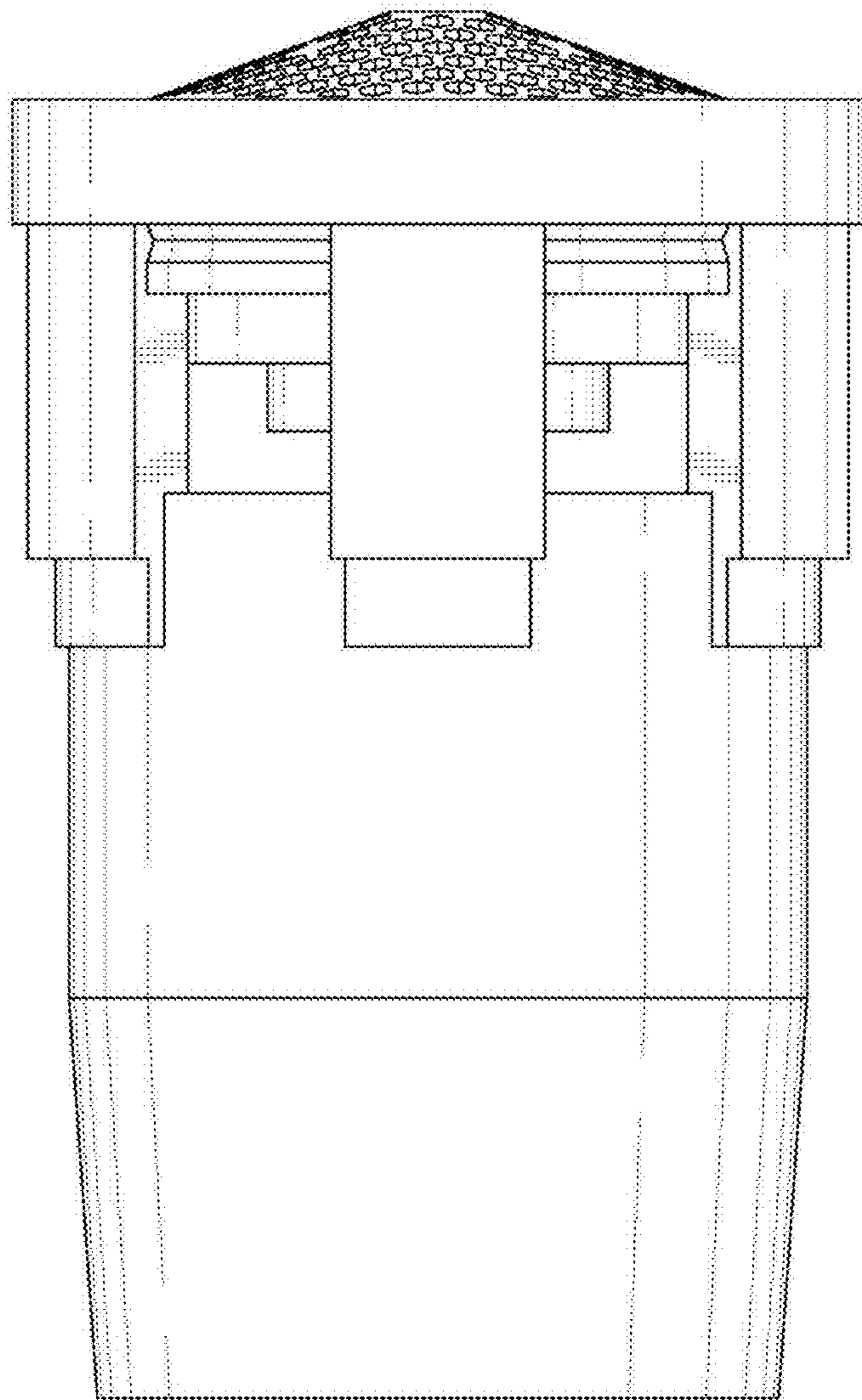
1.3



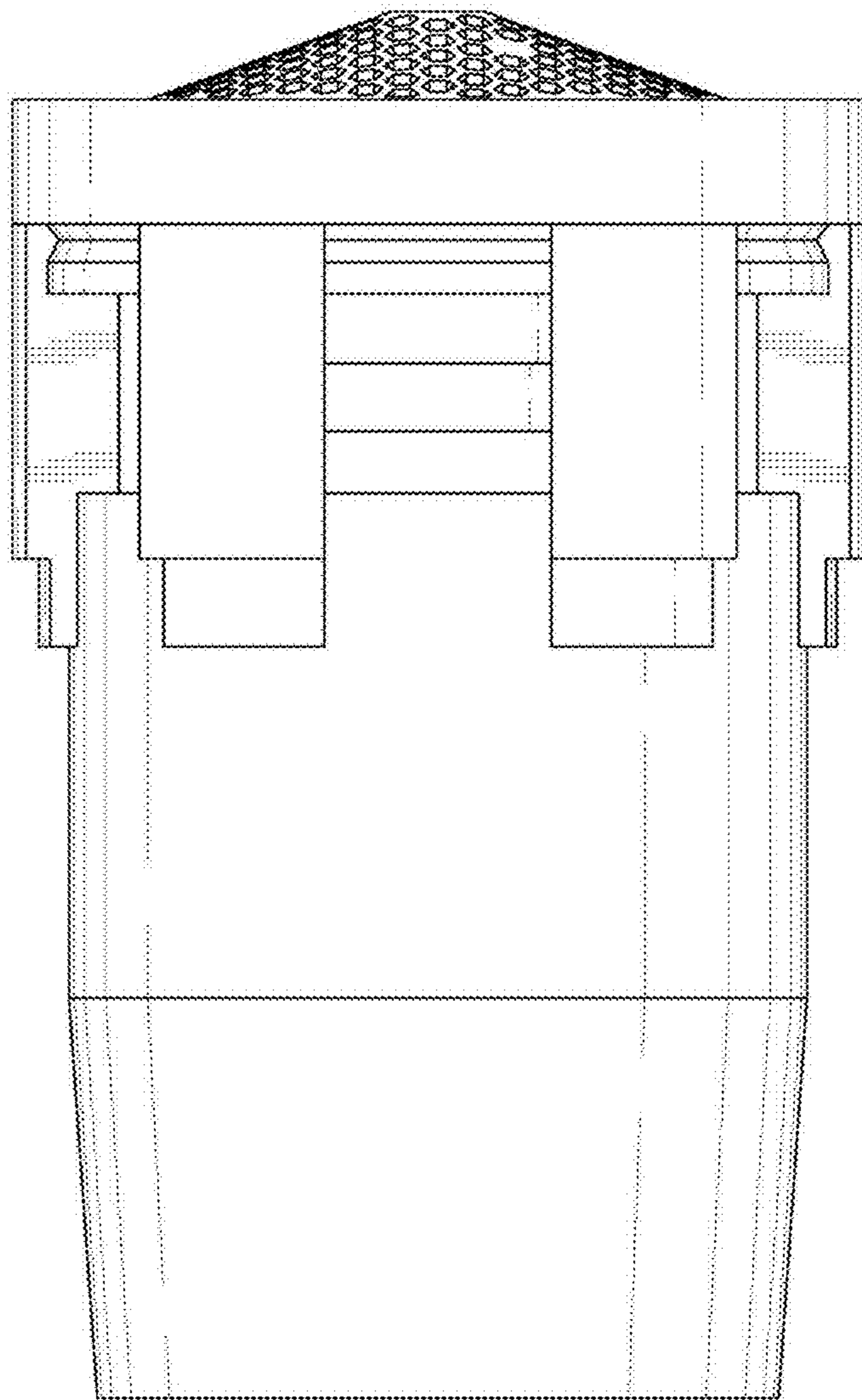
1.4



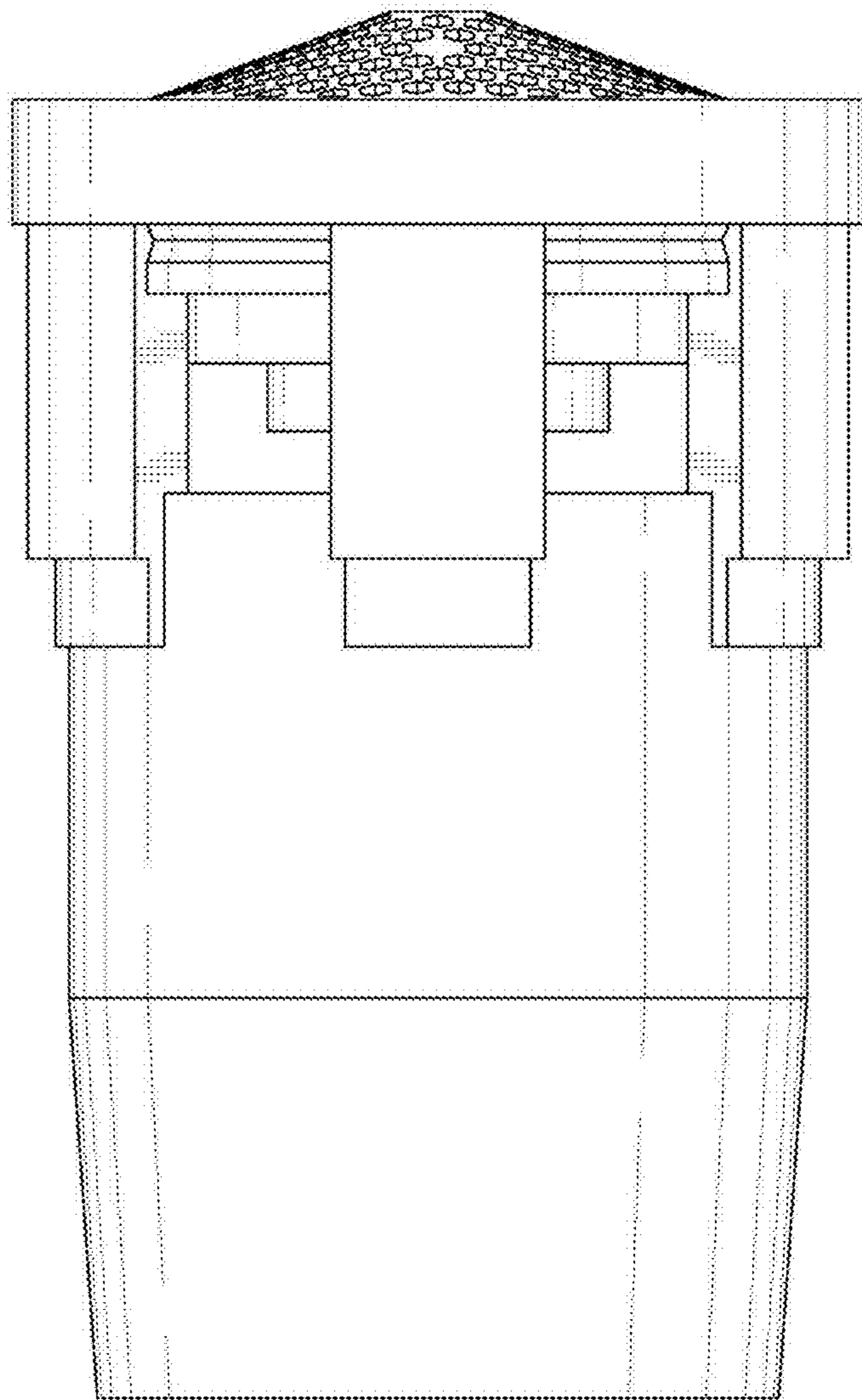
1.5



1.6



1.7



1.8

