



US00D905818S

(12) **United States Design Patent** (10) **Patent No.:** **US D905,818 S**
Plihal (45) **Date of Patent:** **** Dec. 22, 2020**

(54) **FISHING LURE**
(71) Applicant: **George Plihal**, Miami, FL (US)
(72) Inventor: **George Plihal**, Miami, FL (US)
(**) Term: **15 Years**
(21) Appl. No.: **29/701,101**

D377,824 S * 2/1997 McKeral, Jr. D22/126
D390,622 S * 2/1998 Wicht D22/126
D404,460 S * 1/1999 Wicht D22/126
6,357,167 B1 3/2002 Bradford
D467,297 S * 12/2002 Tighe D22/126
8,402,687 B1 3/2013 Jarell
8,484,884 B2 7/2013 Zuk
D858,684 S * 9/2019 Bianchi D22/126
2006/0042147 A1 3/2006 Jenkins

(22) Filed: **Aug. 8, 2019**
(51) **LOC (12) Cl.** **22-05**
(52) **U.S. Cl.**
USPC **D22/128**
(58) **Field of Classification Search**
USPC D22/126, 127, 128, 129, 130, 131, 132,
D22/133, 144; 43/42.35, 42.36, 42.37,
43/42.24, 42.45, 42.48, 42.31, 44.9,
43/42.09, 44.81, 44.95, 42.28
CPC A01K 85/00; A01K 95/10
See application file for complete search history.

FOREIGN PATENT DOCUMENTS

WO WO 2016/007643 1/2016
* cited by examiner

Primary Examiner — Catherine R Oliver-Garcia
(74) *Attorney, Agent, or Firm* — Perkins Coie LLP

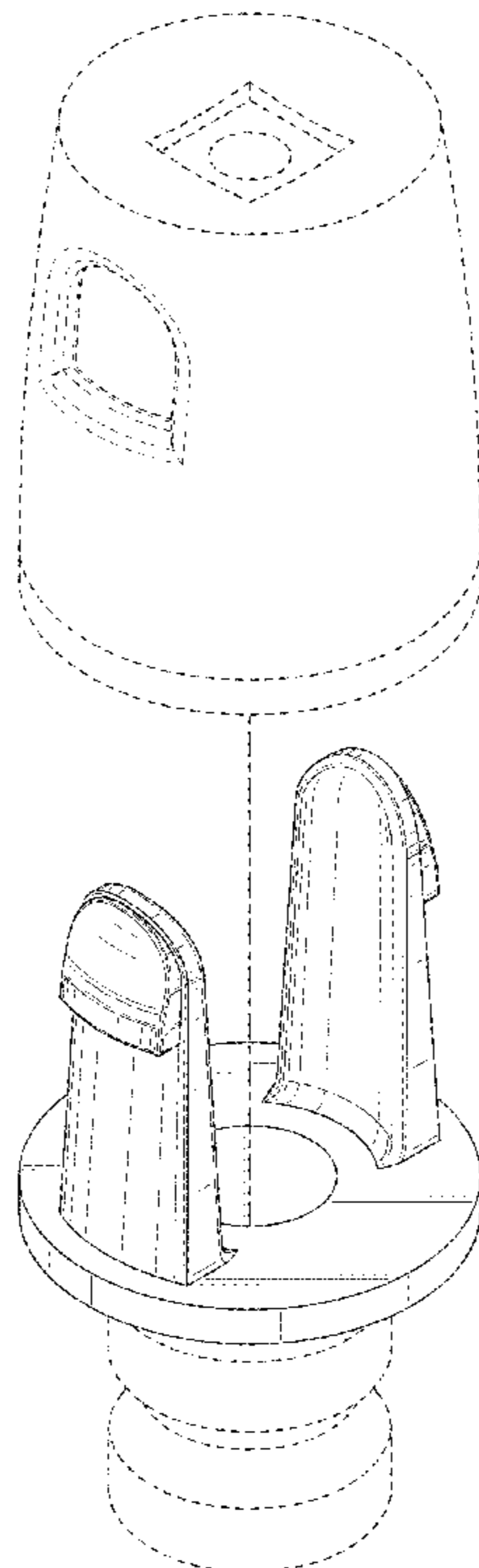
(57) **CLAIM**
The ornamental design for a fishing lure, as shown and described.

DESCRIPTION

FIG. 1 is a perspective view of a fishing lure with male and female members in an unconnected condition, showing my new design;
FIG. 2 is a left side view thereof;
FIG. 3 is a right side view thereof;
FIG. 4 is front view thereof;
FIG. 5 is a rear view thereof;
FIG. 6 is a top view thereof; and,
FIG. 7 is bottom view thereof.
The features shown in broken lines are included for the purpose of illustrating portions of the article and form no part of the claimed design.

(56) **References Cited**
U.S. PATENT DOCUMENTS
1,948,983 A * 2/1934 Danielesuk A01K 85/02
43/42.1
2,546,772 A 3/1951 Neff
3,017,307 A * 1/1962 Halliburton A01K 85/00
43/44.81
D300,344 S * 3/1989 Boulette, III D22/126
5,261,181 A * 11/1993 Melton A01K 85/00
43/42.06
5,369,906 A 12/1994 Anterni
5,490,345 A * 2/1996 Infinger A01K 85/00
43/42.24

1 Claim, 7 Drawing Sheets



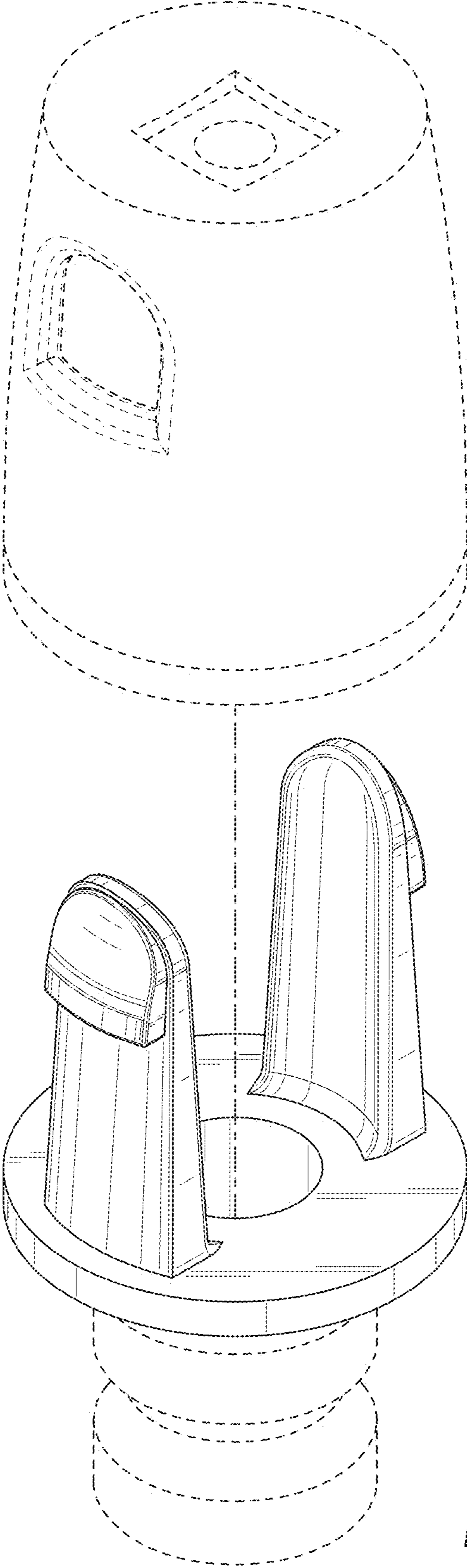


Fig. 1

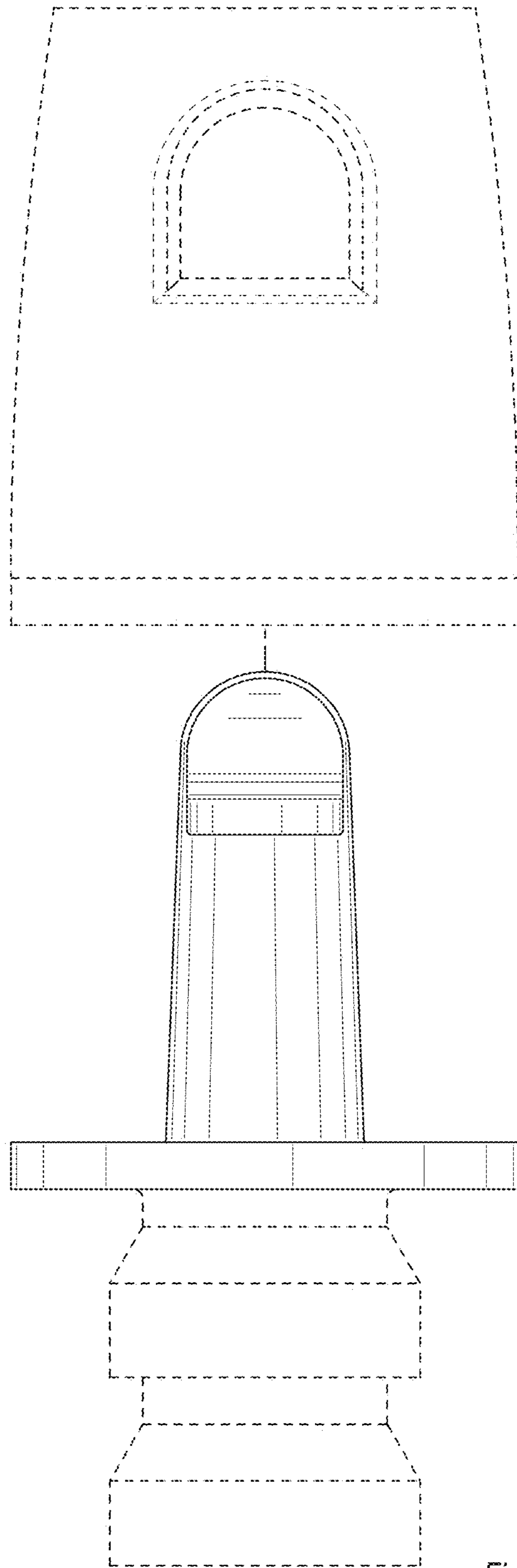


Fig. 2

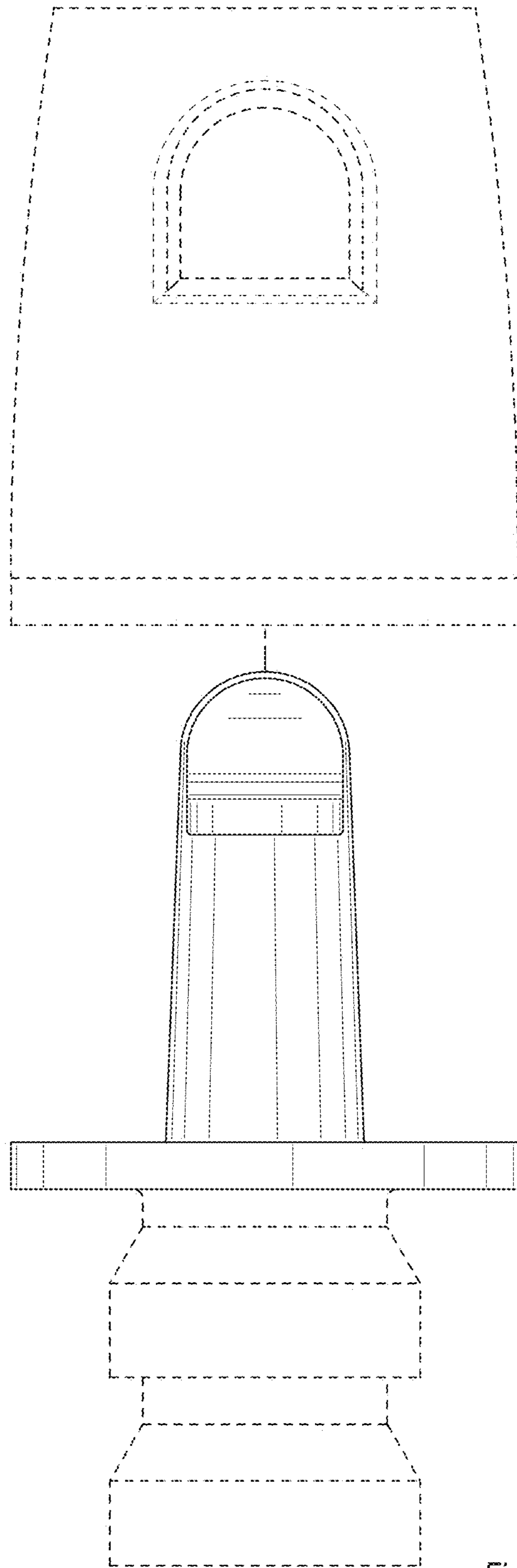


Fig. 3

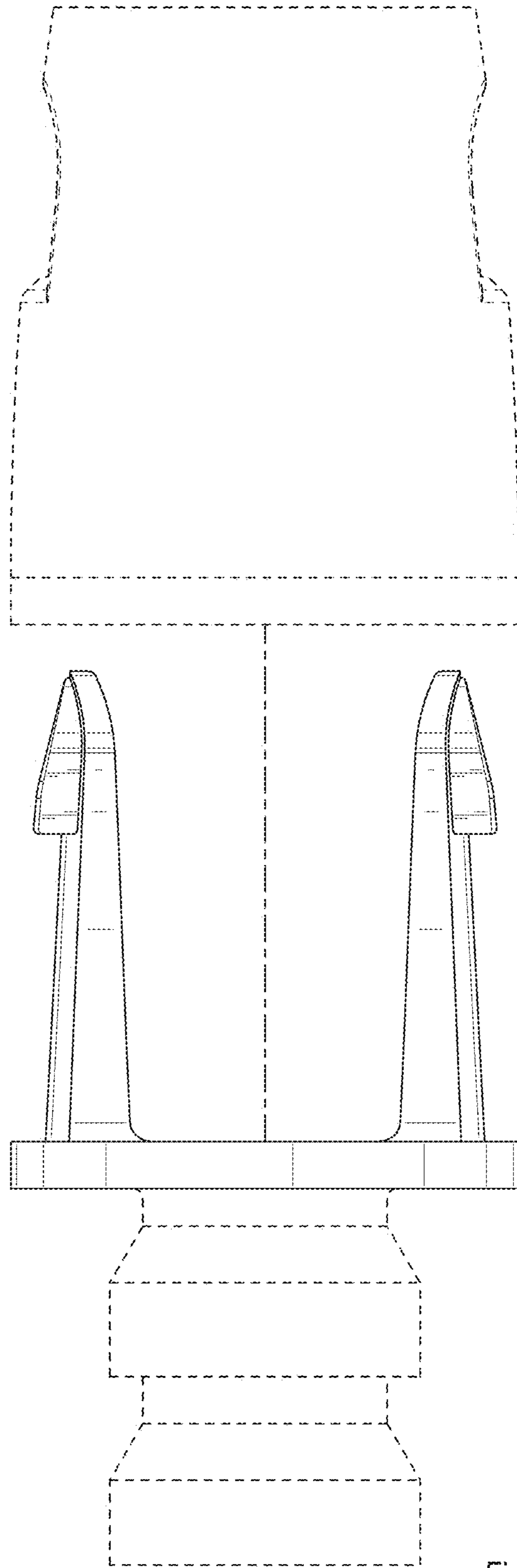


Fig. 4

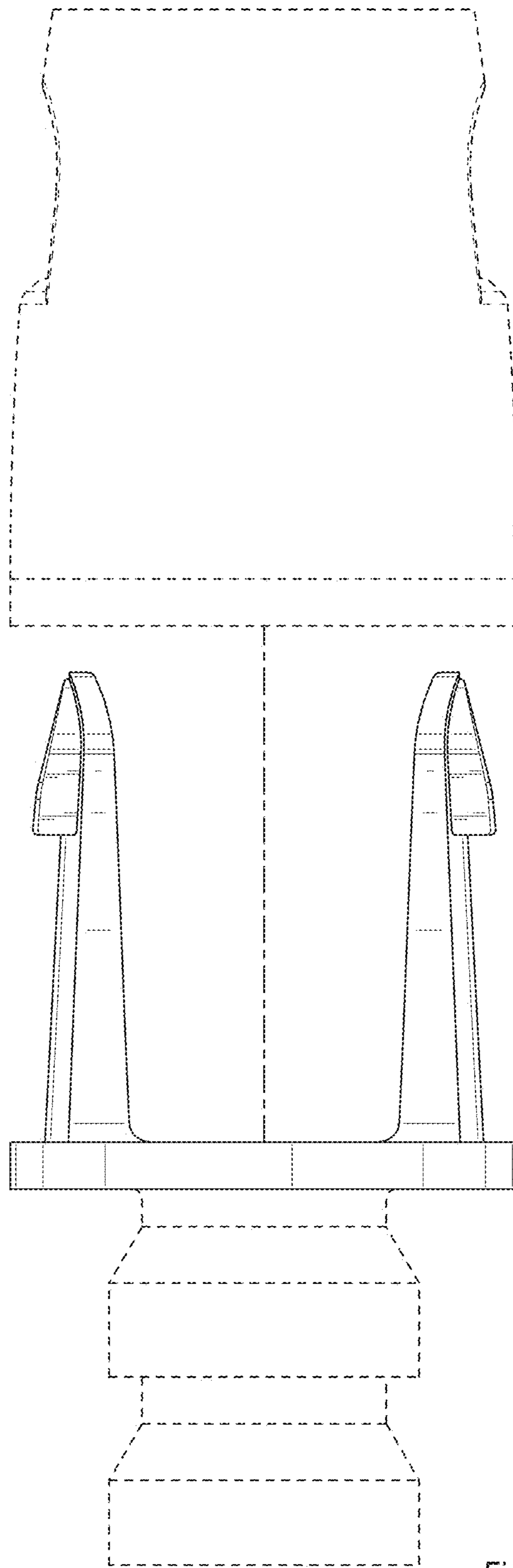


Fig. 5

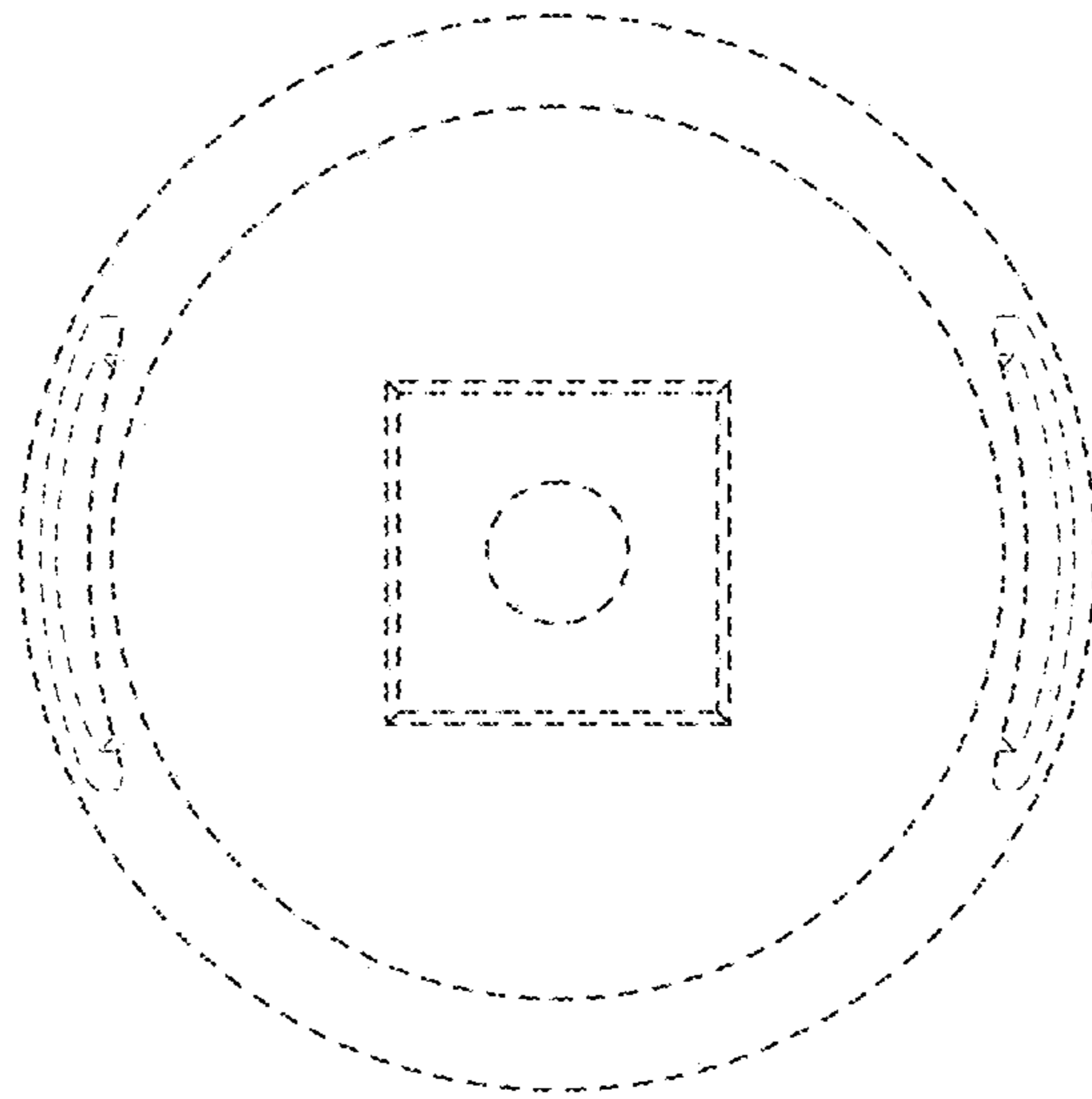


Fig. 6

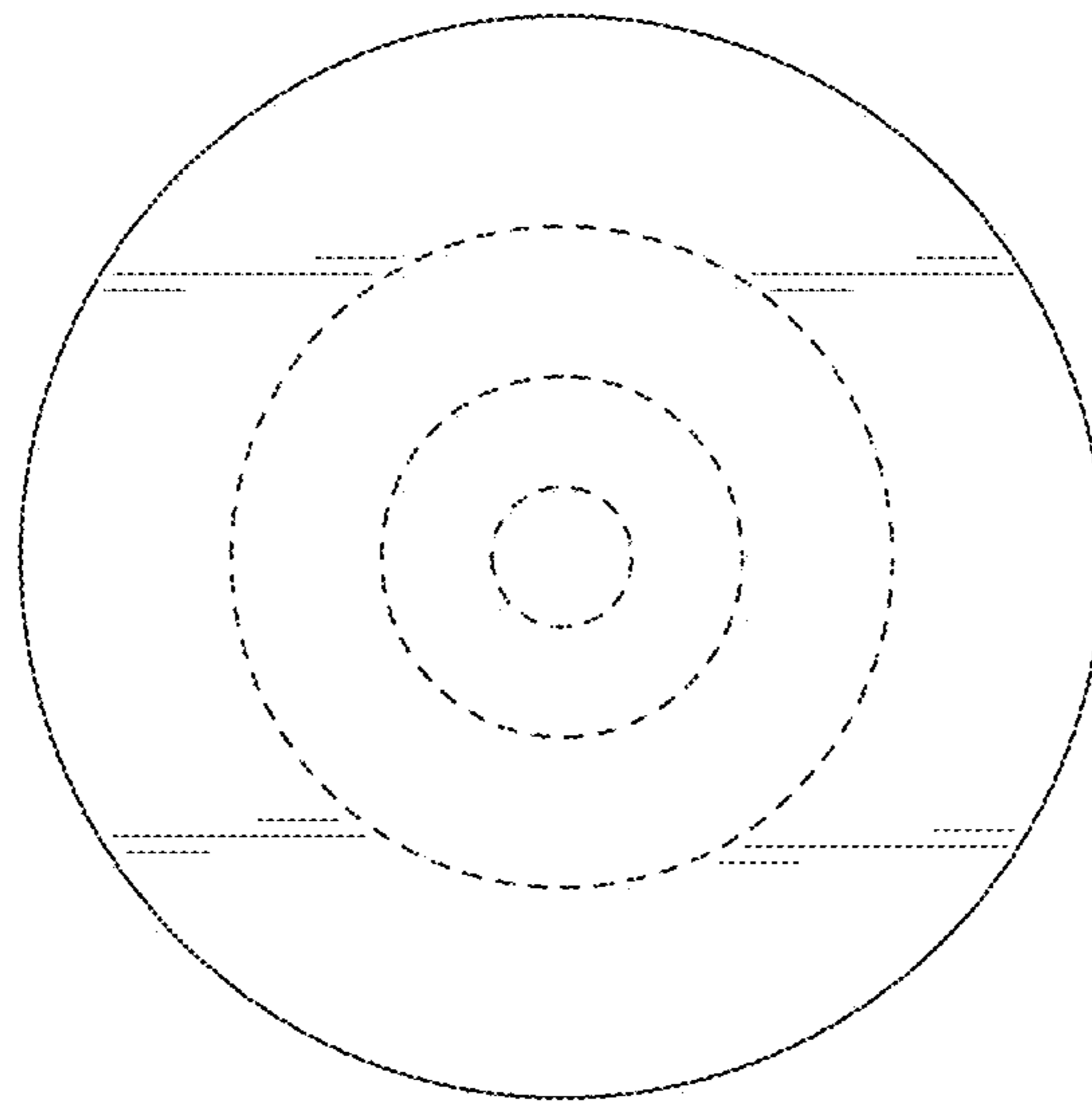


Fig. 7