



US00D905817S

(12) **United States Design Patent**
Blaha

(10) **Patent No.:** **US D905,817 S**

(45) **Date of Patent:** **** Dec. 22, 2020**

(54) **DECORATIVE HUNTING SCENT RELEASE DEVICE**

(71) Applicant: **Roger Neal Blaha**, Canton, MI (US)

(72) Inventor: **Roger Neal Blaha**, Canton, MI (US)

(**) Term: **15 Years**

(21) Appl. No.: **29/665,713**

(22) Filed: **Oct. 5, 2018**

Related U.S. Application Data

(63) Continuation-in-part of application No. 29/592,436, filed on Jan. 30, 2017, now abandoned, which is a
(Continued)

(51) **LOC (12) Cl.** **22-05**

(52) **U.S. Cl.**
USPC **D22/125**

(58) **Field of Classification Search**
USPC D22/125; 222/187, 180, 146.5, 38-39,
222/63, 333, 642, 644, 422, 481.5;
(Continued)

(56) **References Cited**

U.S. PATENT DOCUMENTS

4,937,431 A * 6/1990 Jameson A01M 31/008
239/59
5,161,646 A * 11/1992 Aurich A01M 31/008
222/146.5

(Continued)

Primary Examiner — Catherine R Oliver-Garcia

(57) **CLAIM**

The ornamental design for an decorative hunting scent release device, as shown and described.

DESCRIPTION

FIG. 1 illustrates a front view of a decorative hunting scent release device, in accordance with the present design;

FIG. 2 illustrates the decorative hunting scent release device of FIG. 1 rotated forty five degrees, in accordance with the present design;

FIG. 3 illustrates the decorative hunting scent release device of FIG. 1 rotated ninety degrees, in accordance with the present design;

FIG. 4 illustrates the decorative hunting scent release device of FIG. 1 rotated one hundred thirty five degrees, in accordance with the present design;

FIG. 5 illustrates the decorative hunting scent release device of FIG. 1 rotated one hundred eighty degrees, in accordance with the present design;

FIG. 6 illustrates the decorative hunting scent release device of FIG. 1 rotated two hundred twenty five degrees, in accordance with the present design;

FIG. 7 illustrates the decorative hunting scent release device of FIG. 1 rotated two hundred seventy degrees, in accordance with the present design;

FIG. 8 illustrates the decorative hunting scent release device of FIG. 1 rotated three hundred fifteen degrees, in accordance with the present design;

FIG. 9 illustrates a top view of the decorative hunting scent release device of FIG. 1, in accordance with the present design;

FIG. 10 illustrates a bottom view of the decorative hunting scent release device of FIG. 1, in accordance with the present design;

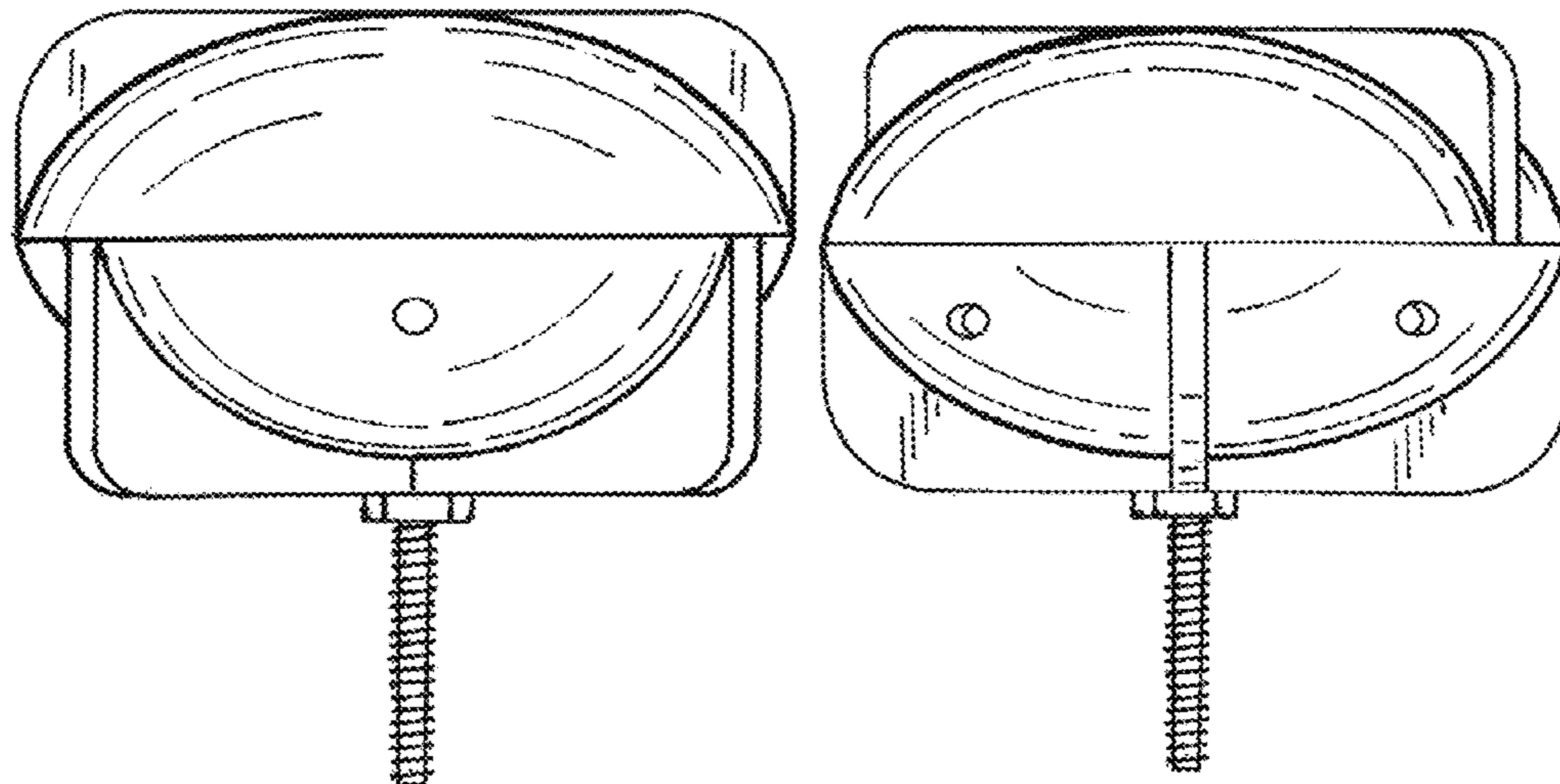
FIG. 11 illustrates a front view of the decorative hunting scent release device of FIG. 1, with the decorative hunting scent release device illustrated in an opened state revealing a cylindrical element within, in accordance with the present design;

FIG. 12 illustrates the decorative hunting scent release device of FIG. 11 rotated ninety degrees, in accordance with the present design;

FIG. 13 illustrates the decorative hunting scent release device of FIG. 11 rotated one hundred eighty degrees, in accordance with the present design; and,

FIG. 14 illustrates the decorative hunting scent release device of FIG. 11 rotated two hundred seventy degrees, in accordance with the present design.

1 Claim, 7 Drawing Sheets



Related U.S. Application Data

continuation-in-part of application No. 14/794,477,
filed on Jul. 8, 2015, now abandoned.

(58) **Field of Classification Search**

USPC 239/6, 55-56, 59, 70, 34; 43/17.6, 42.06,
43/42.12, 1; 119/72.5; 126/29
CPC A01M 31/00; A01M 31/008; A61L 9/042
See application file for complete search history.

(56) **References Cited**

U.S. PATENT DOCUMENTS

5,611,165	A		3/1997	Blaha	
6,106,786	A	*	8/2000	Akahoshi	A61L 9/122
					222/187
D447,533	S	*	9/2001	Cox	D22/125
6,340,120	B1	*	1/2002	Seymour	A01M 1/2027
					239/34
6,655,604	B2	*	12/2003	Tuttobene, Jr.	A01M 31/008
					239/55
6,857,214	B1	*	2/2005	Pelissier	A01M 31/008
					43/1
D596,696	S	*	7/2009	Cain	D22/125
D643,088	S	*	8/2011	McDaniel	D22/125
8,020,785	B2	*	9/2011	Chao	A61Q 15/00
					239/58
D690,385	S	*	9/2013	Thomson	D22/125
9,259,499	B2	*	2/2016	Atkinson	A61L 9/127
10,327,439	B1	*	6/2019	Kostek	A01M 31/004
2007/0207067	A1	*	9/2007	Zarembinski	A61L 9/12
					239/59
2016/0120168	A1		5/2016	Blaha	

* cited by examiner

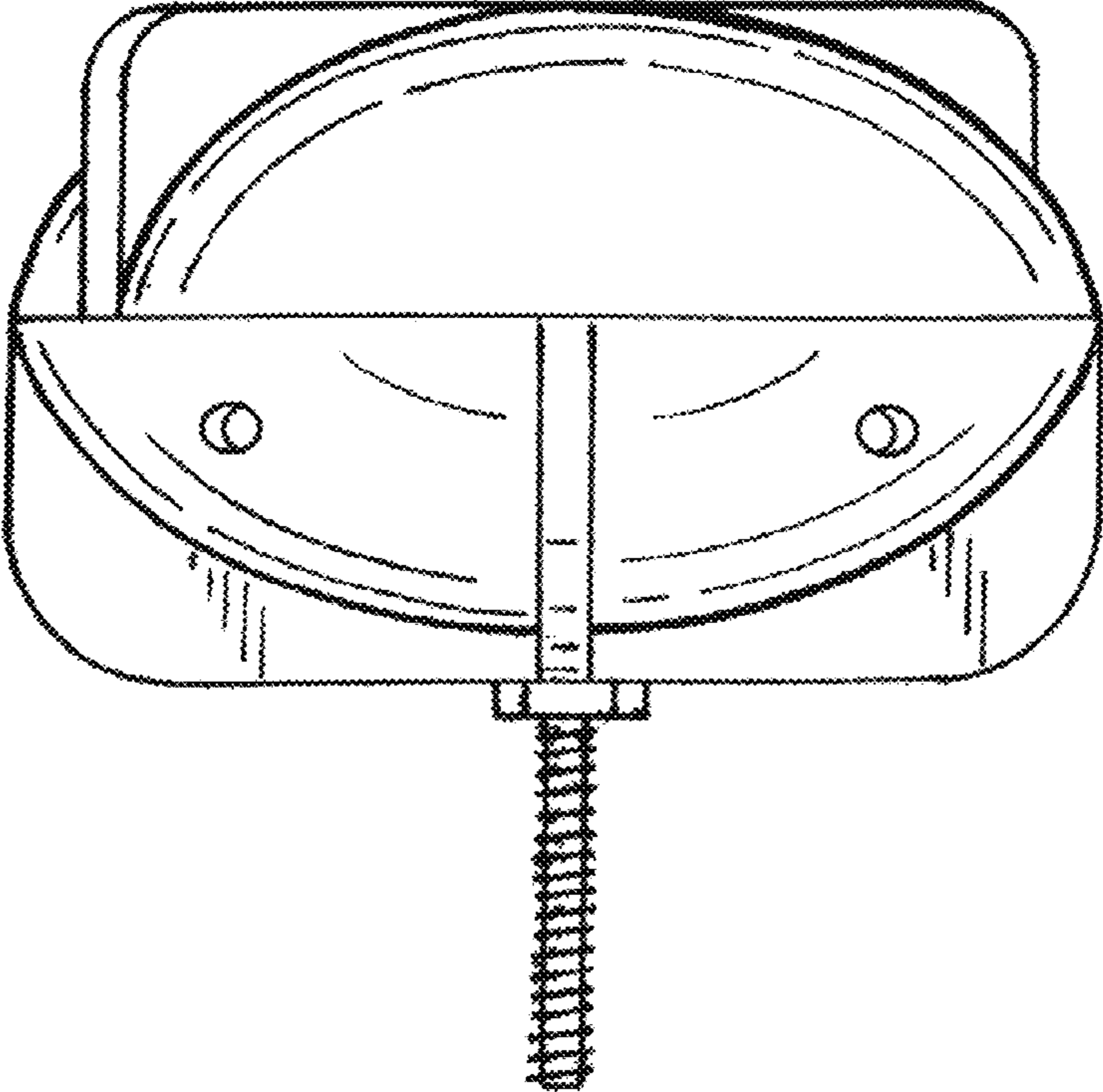


FIG. 1

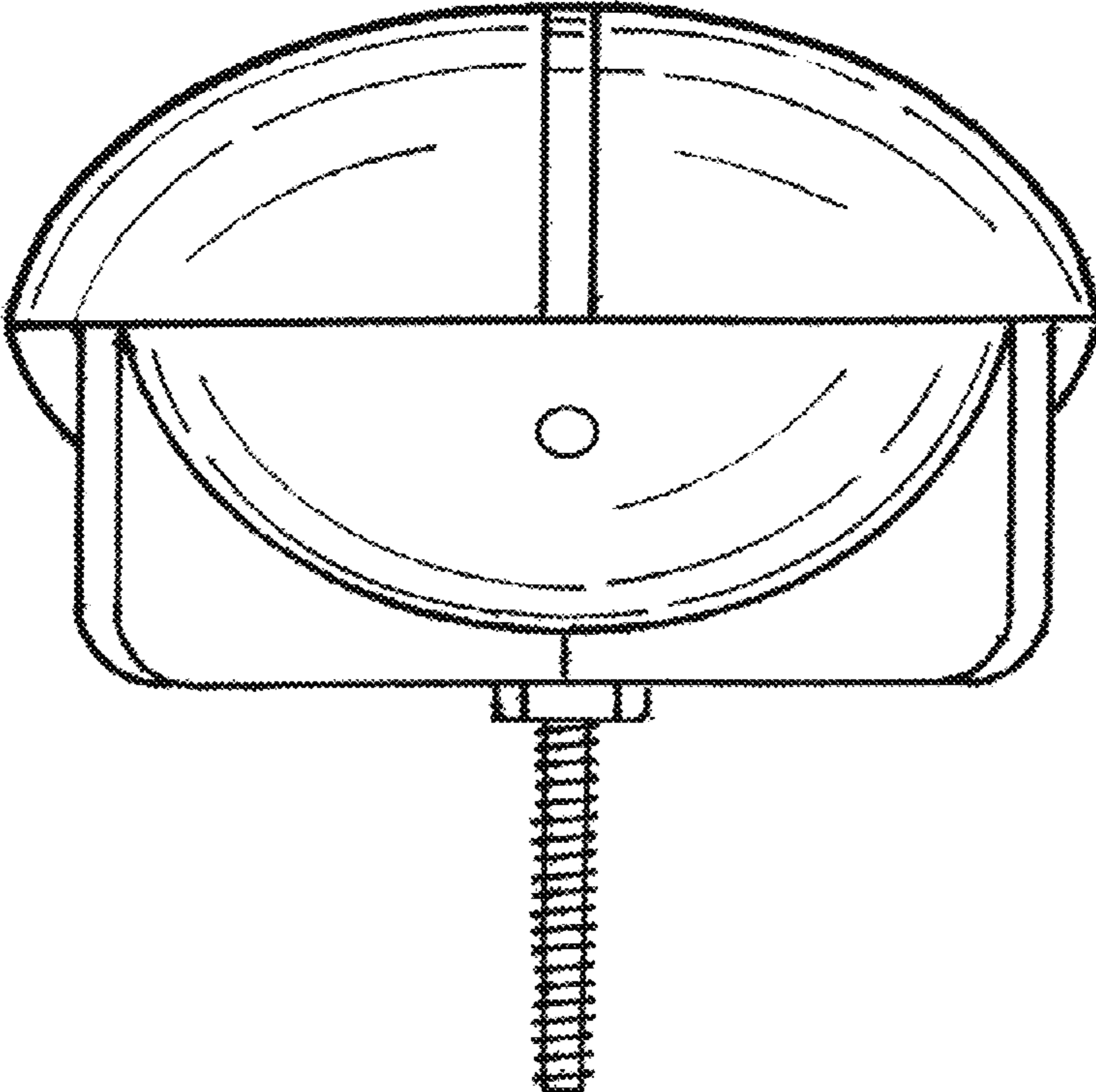


FIG. 2

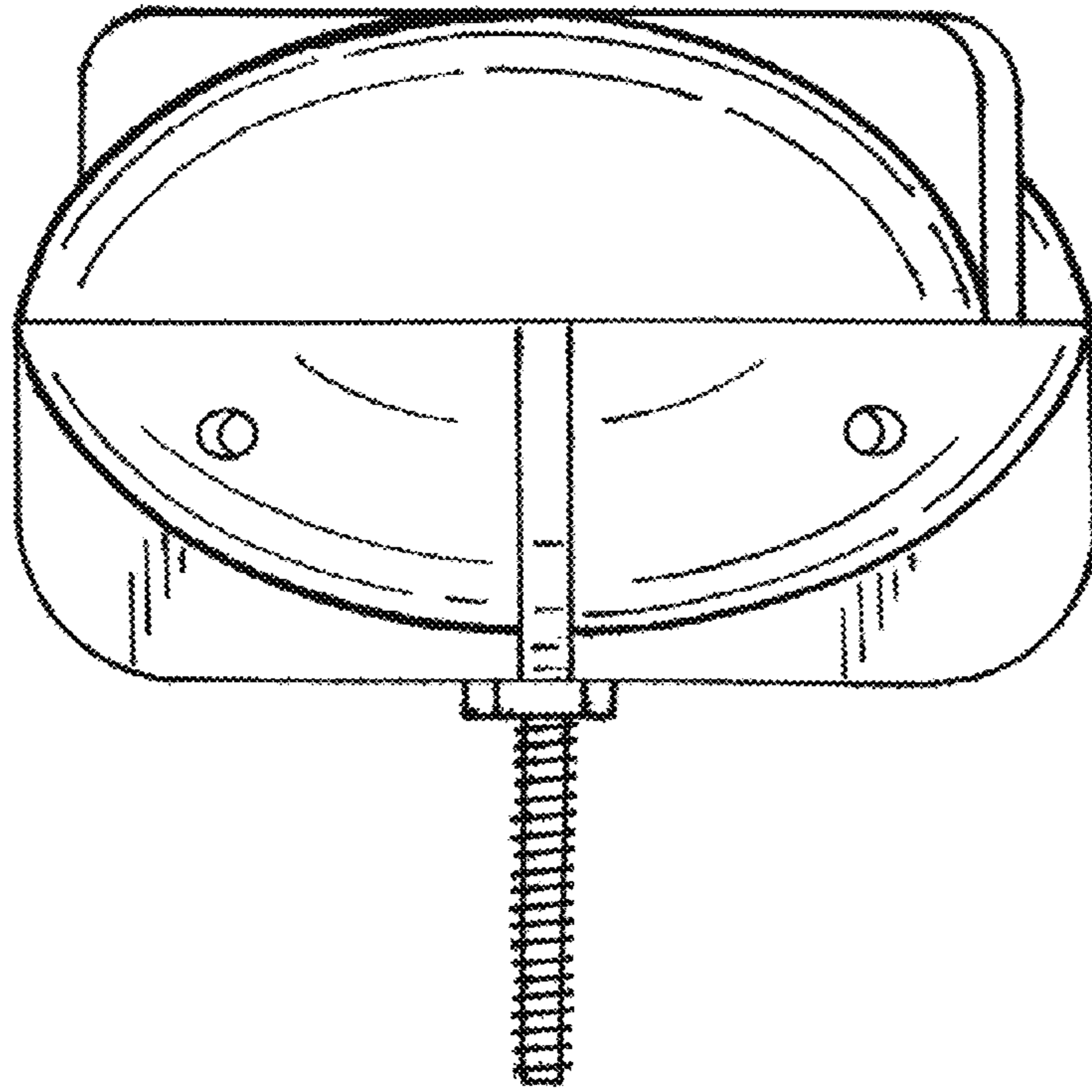


FIG. 3

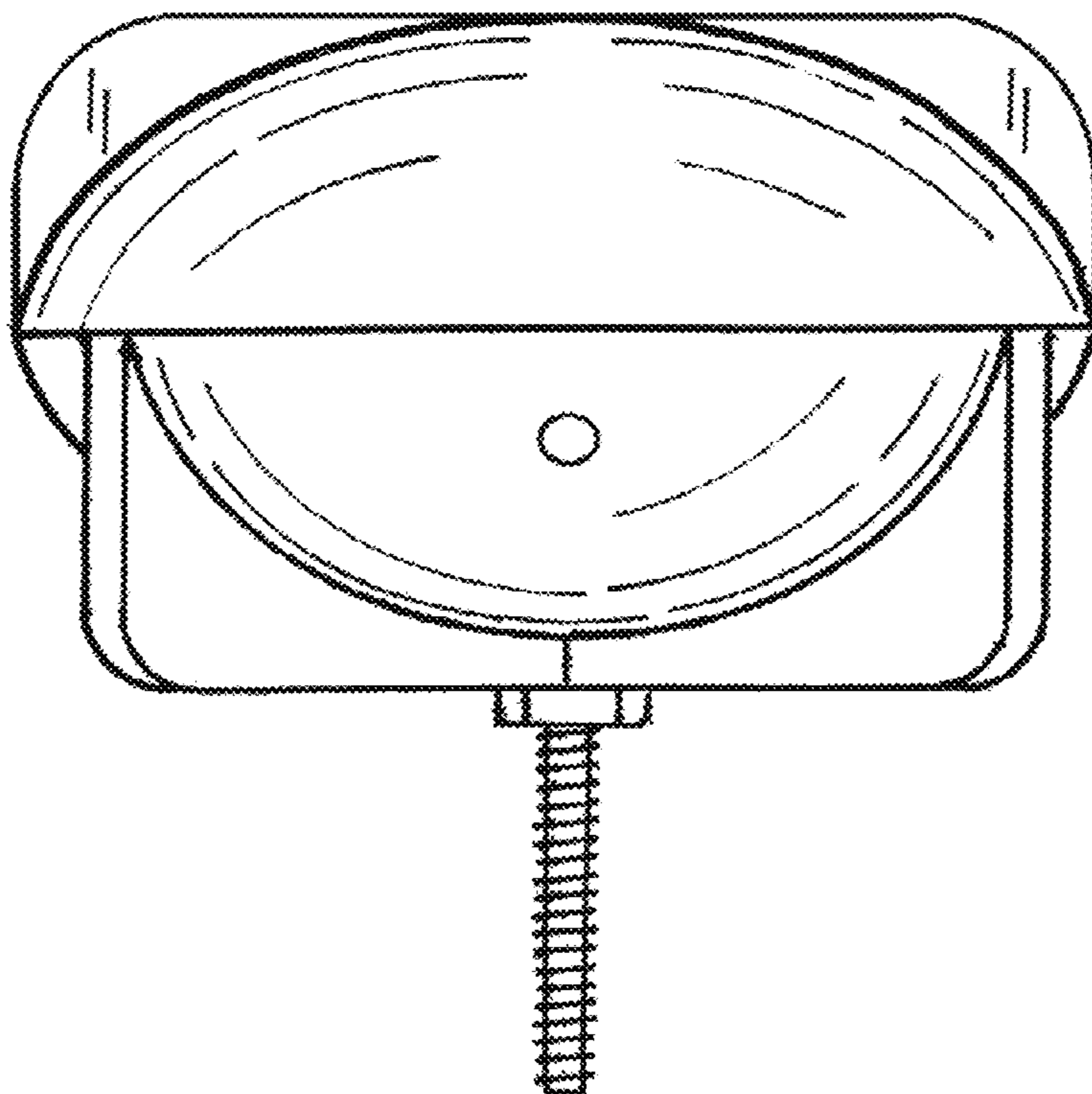


FIG. 4

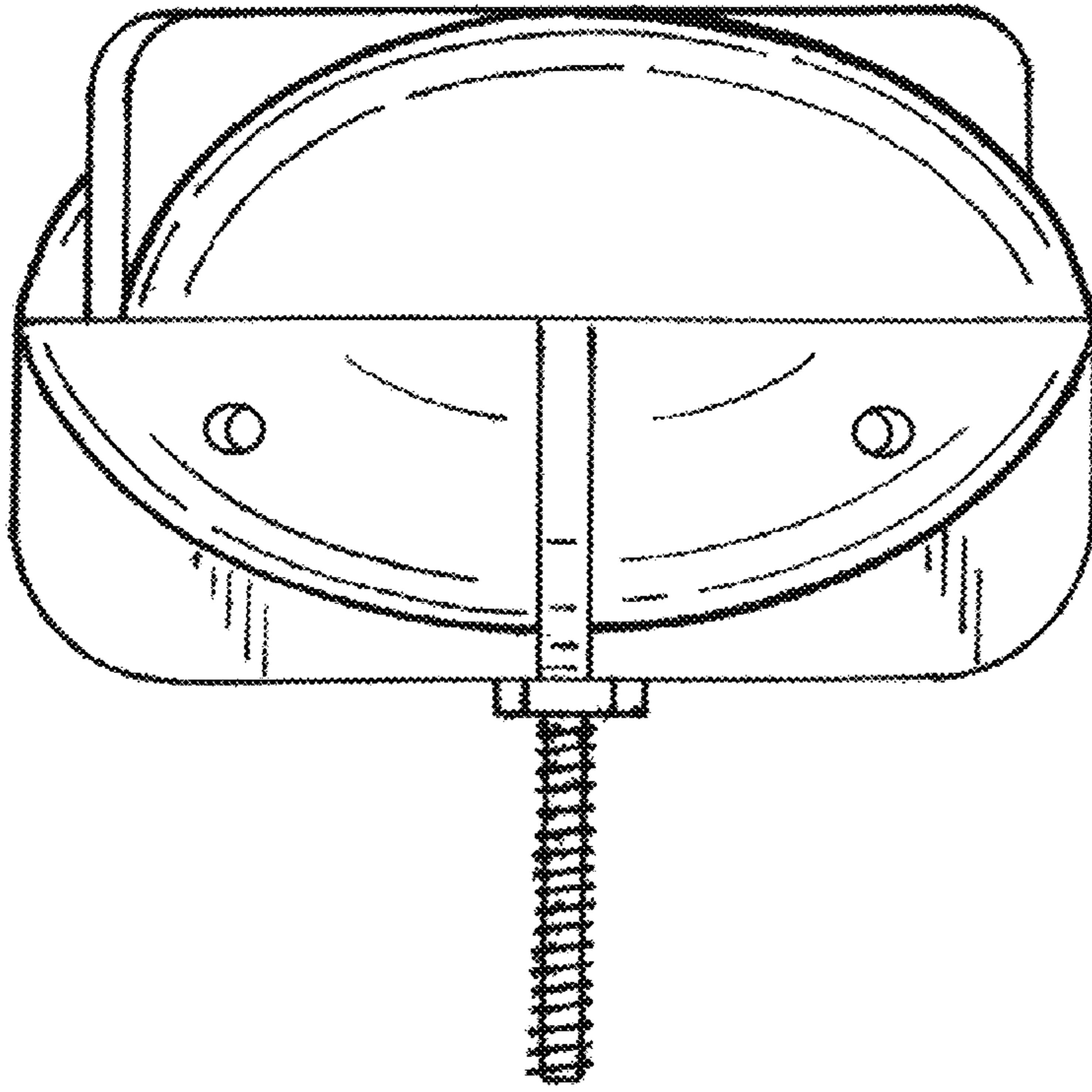


FIG. 5

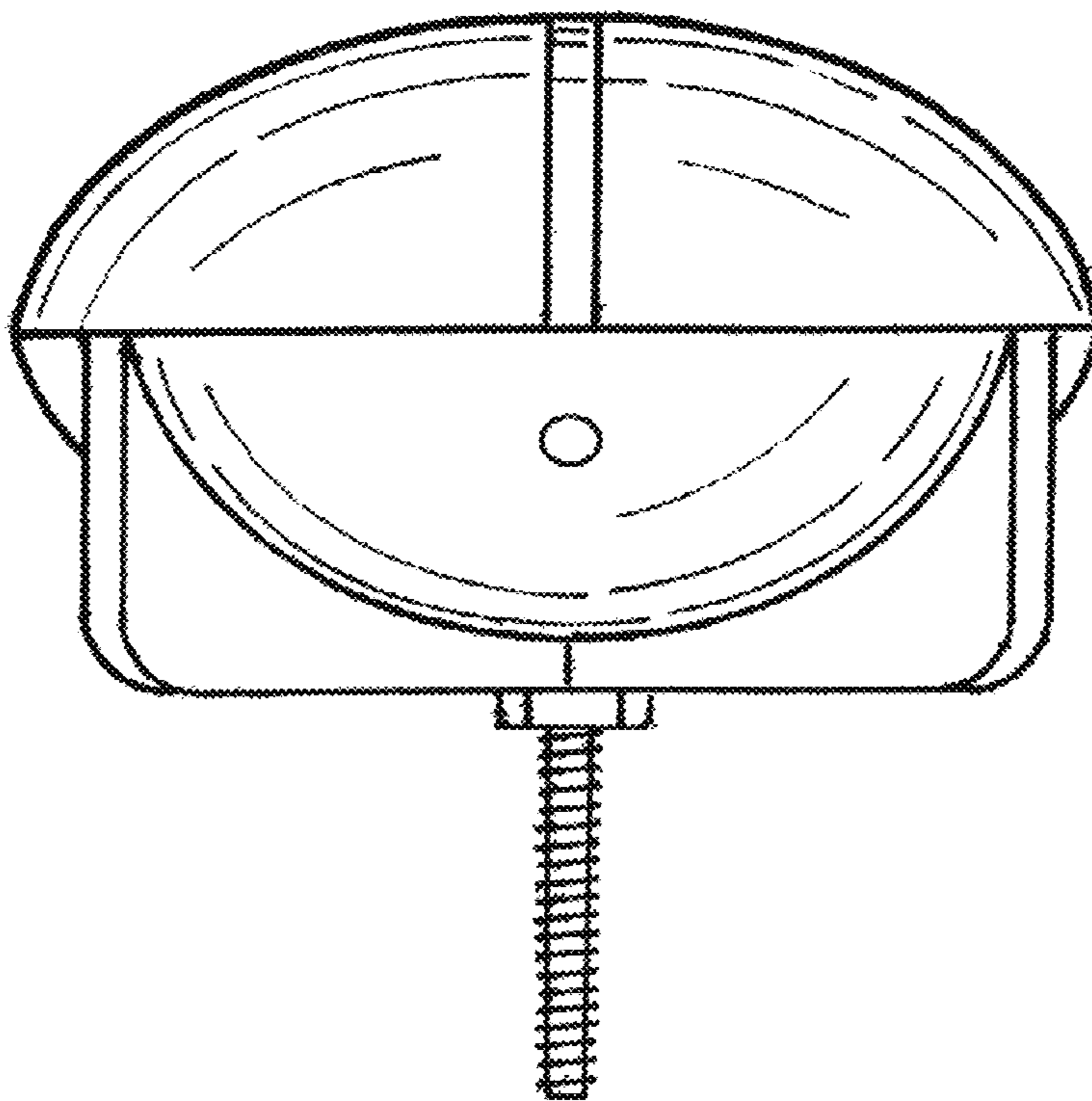


FIG. 6

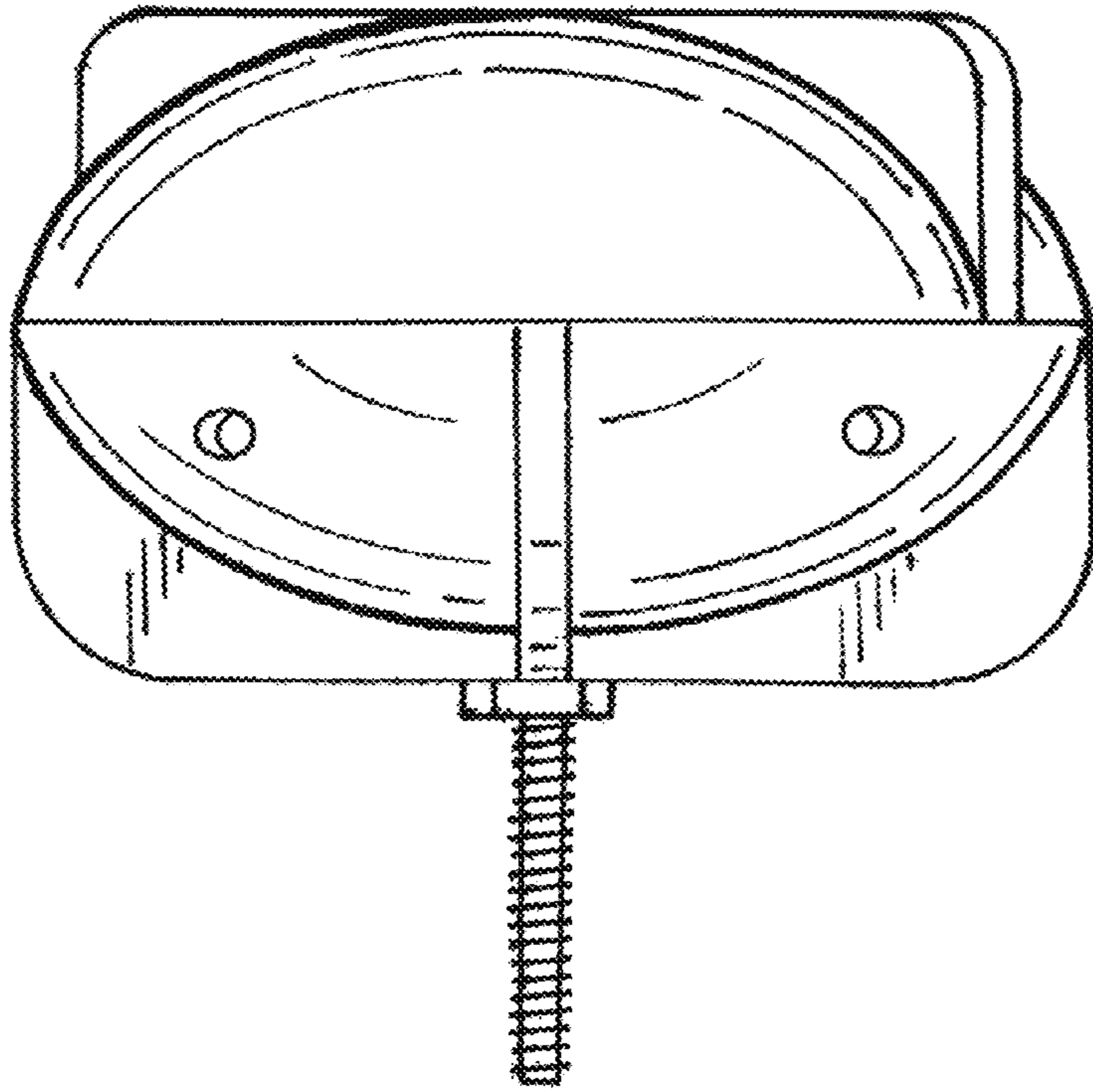


FIG. 7

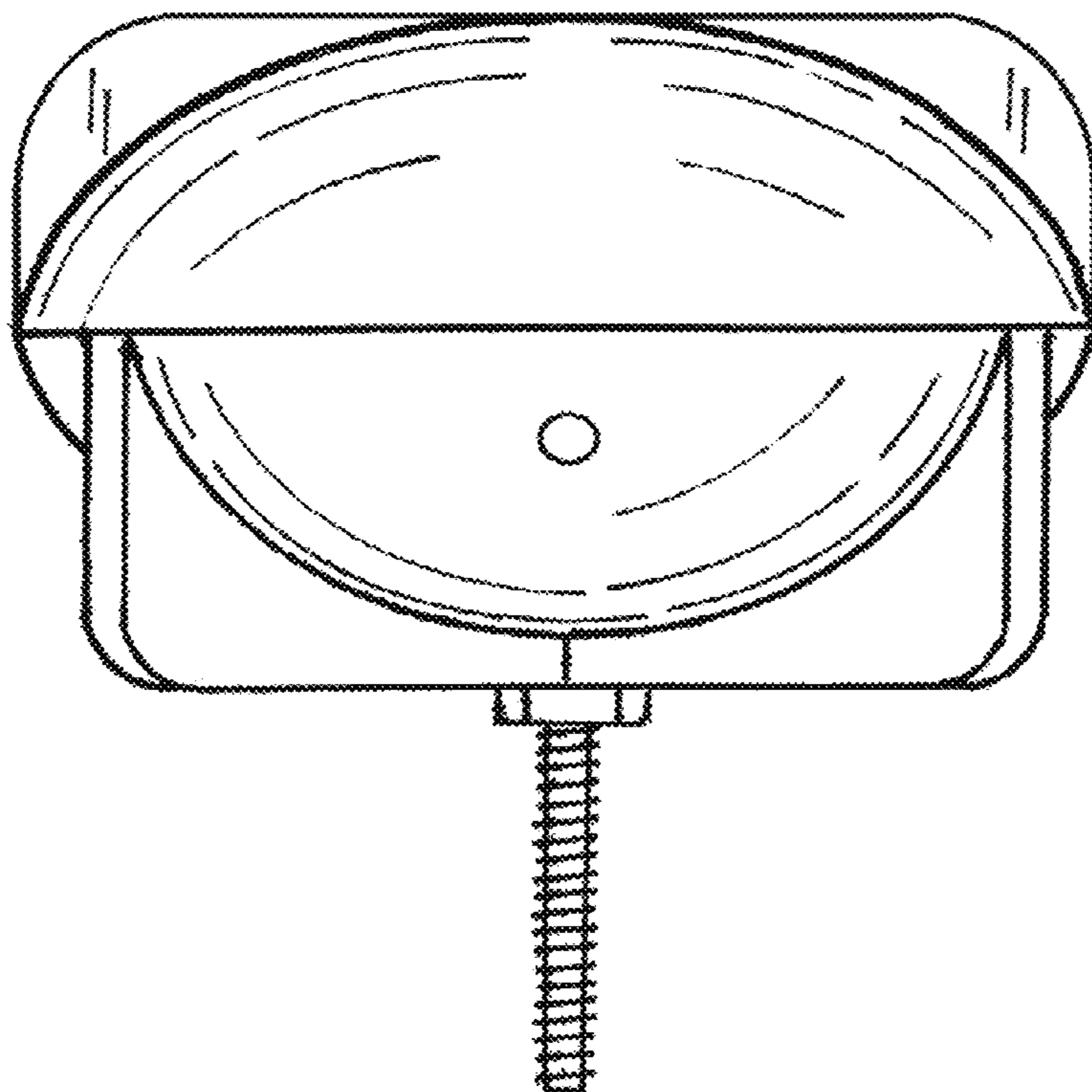


FIG. 8

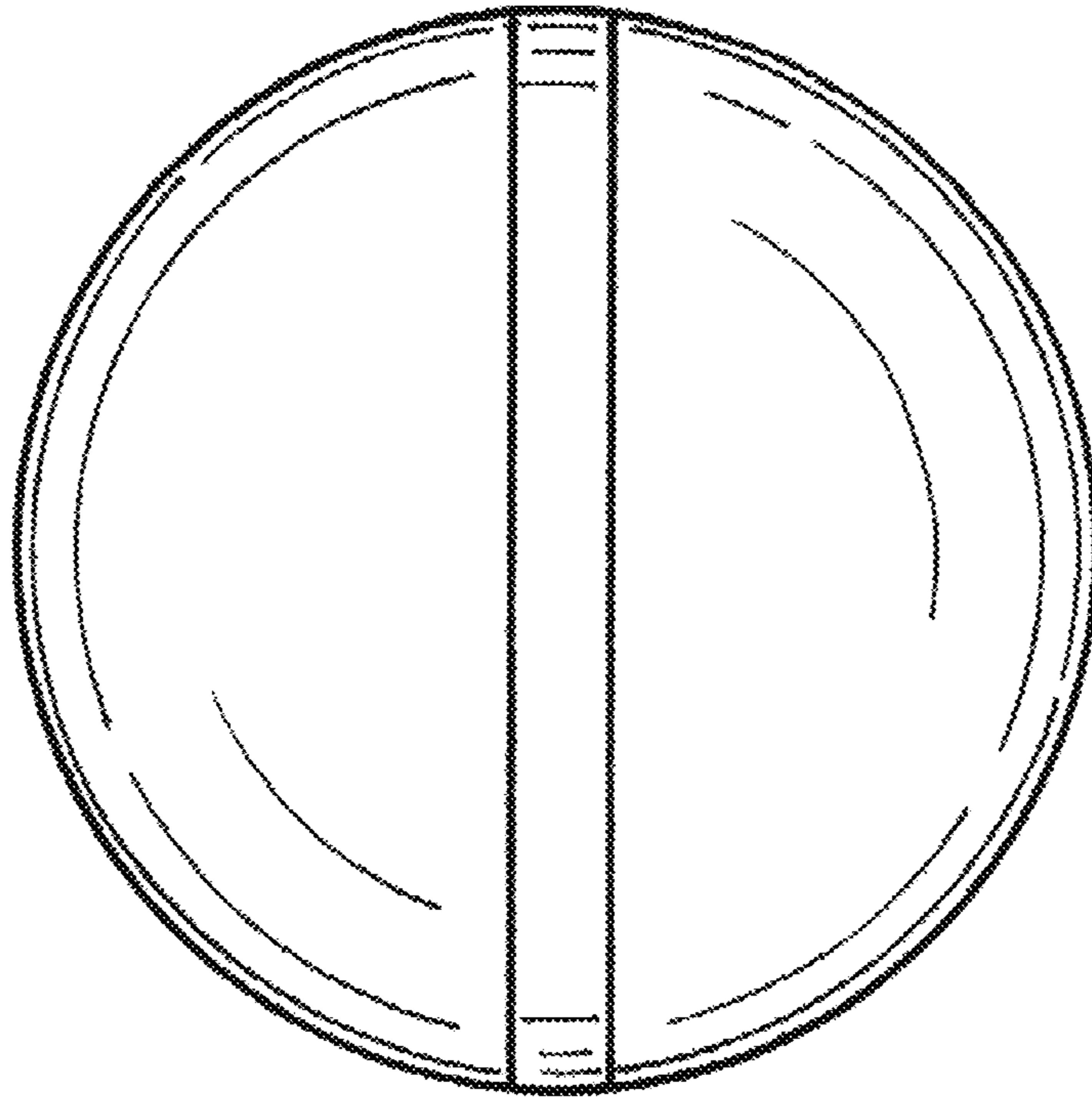


FIG. 9

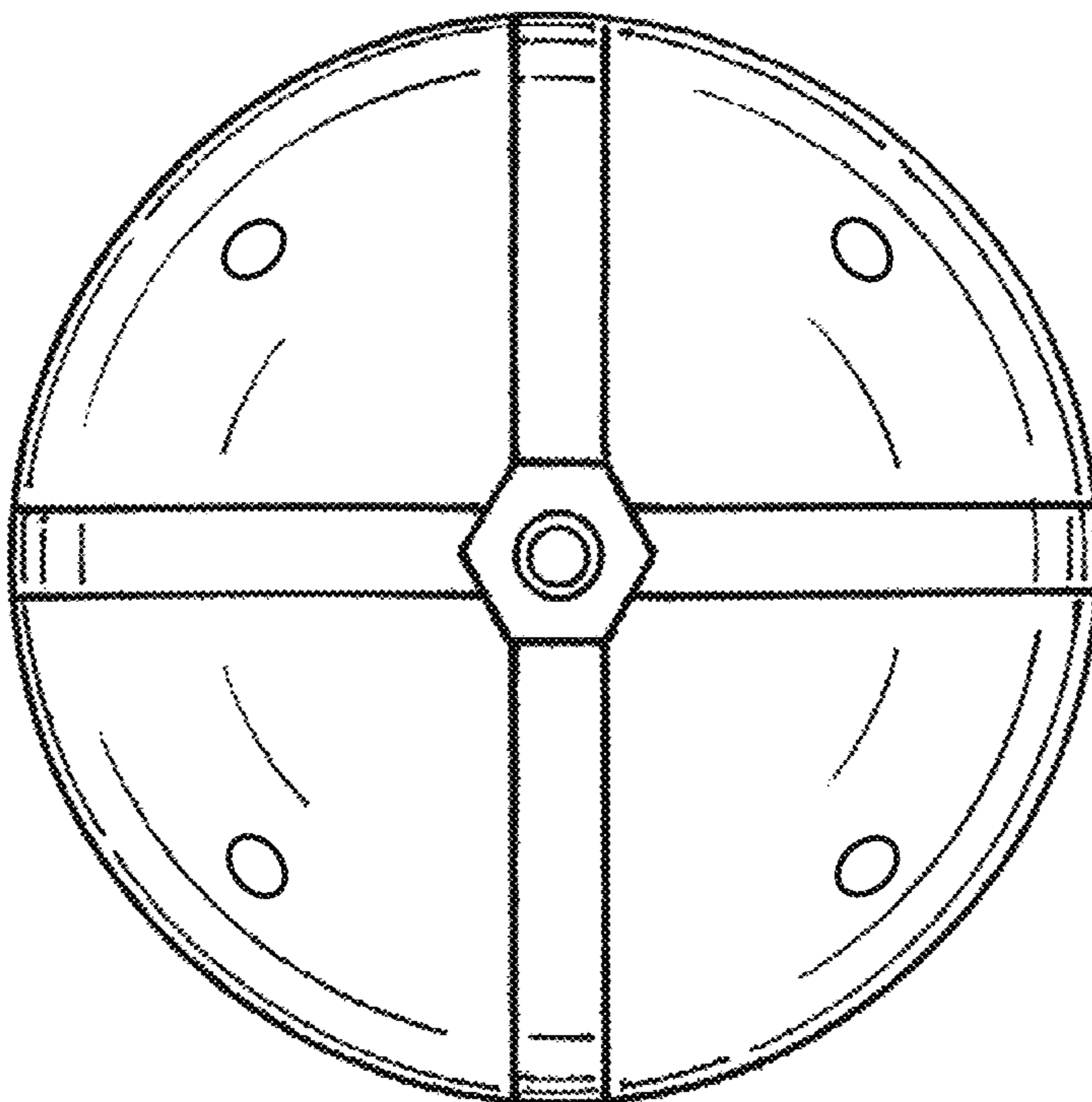


FIG. 10

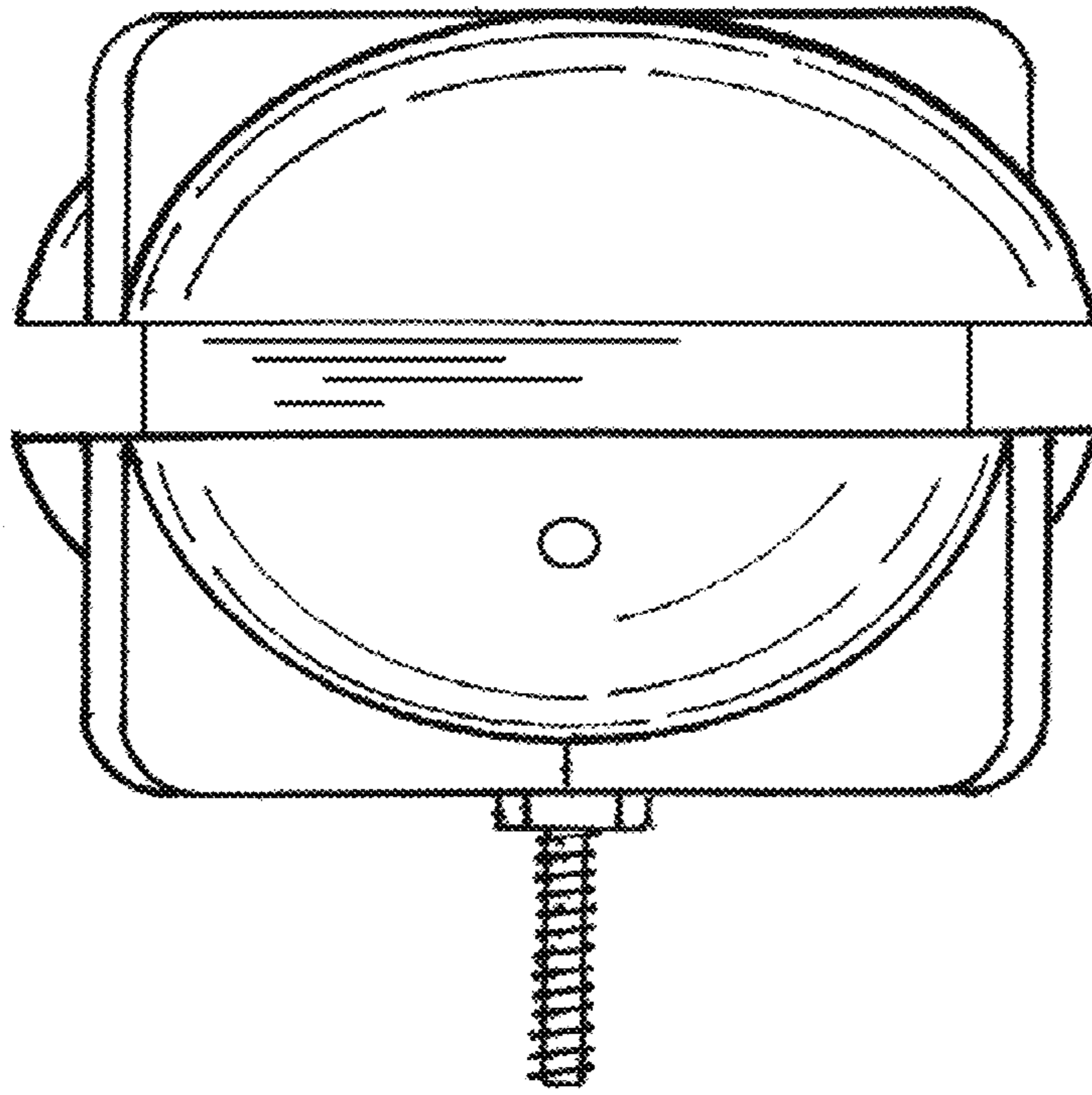


FIG. 11

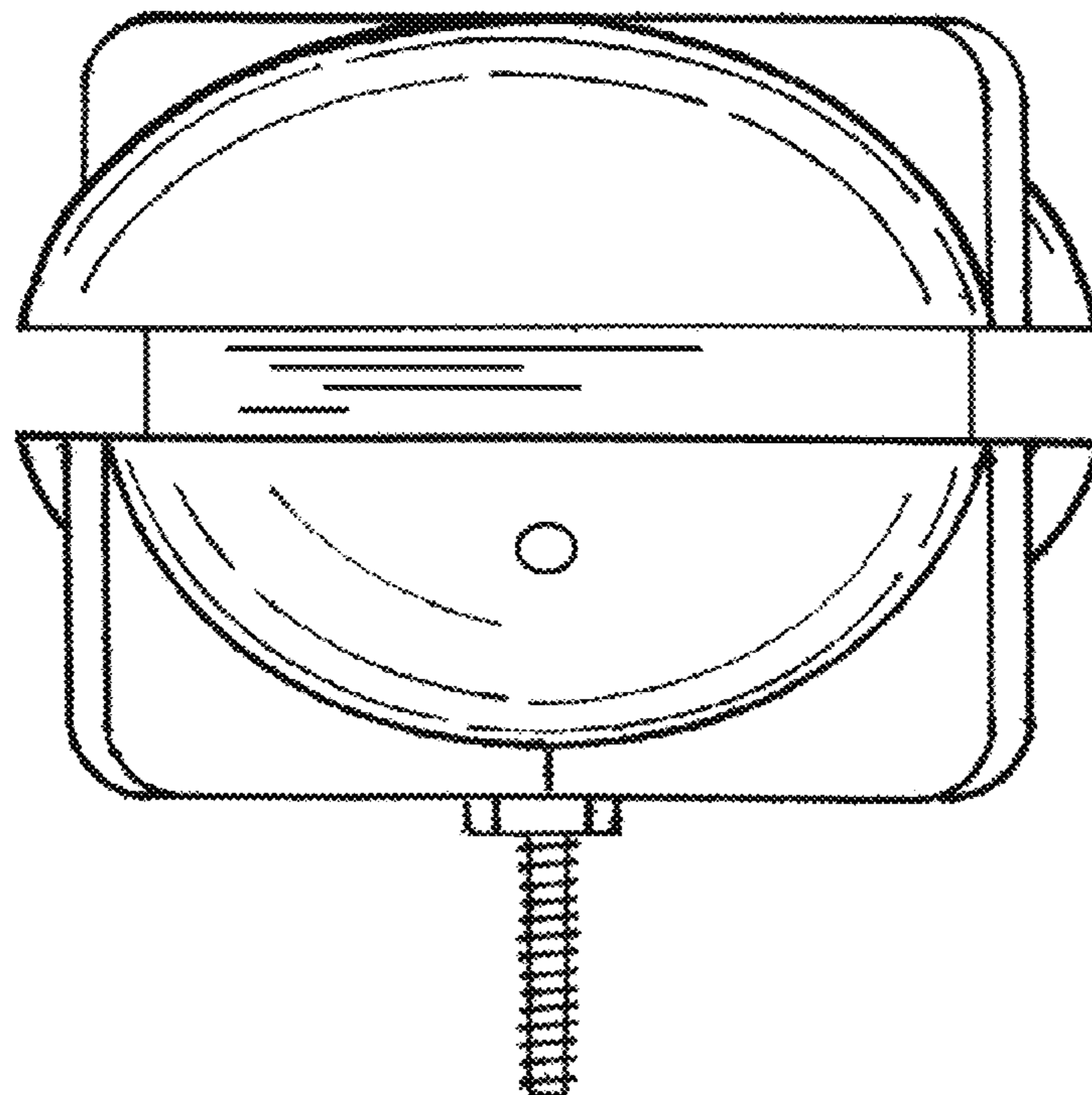


FIG. 12

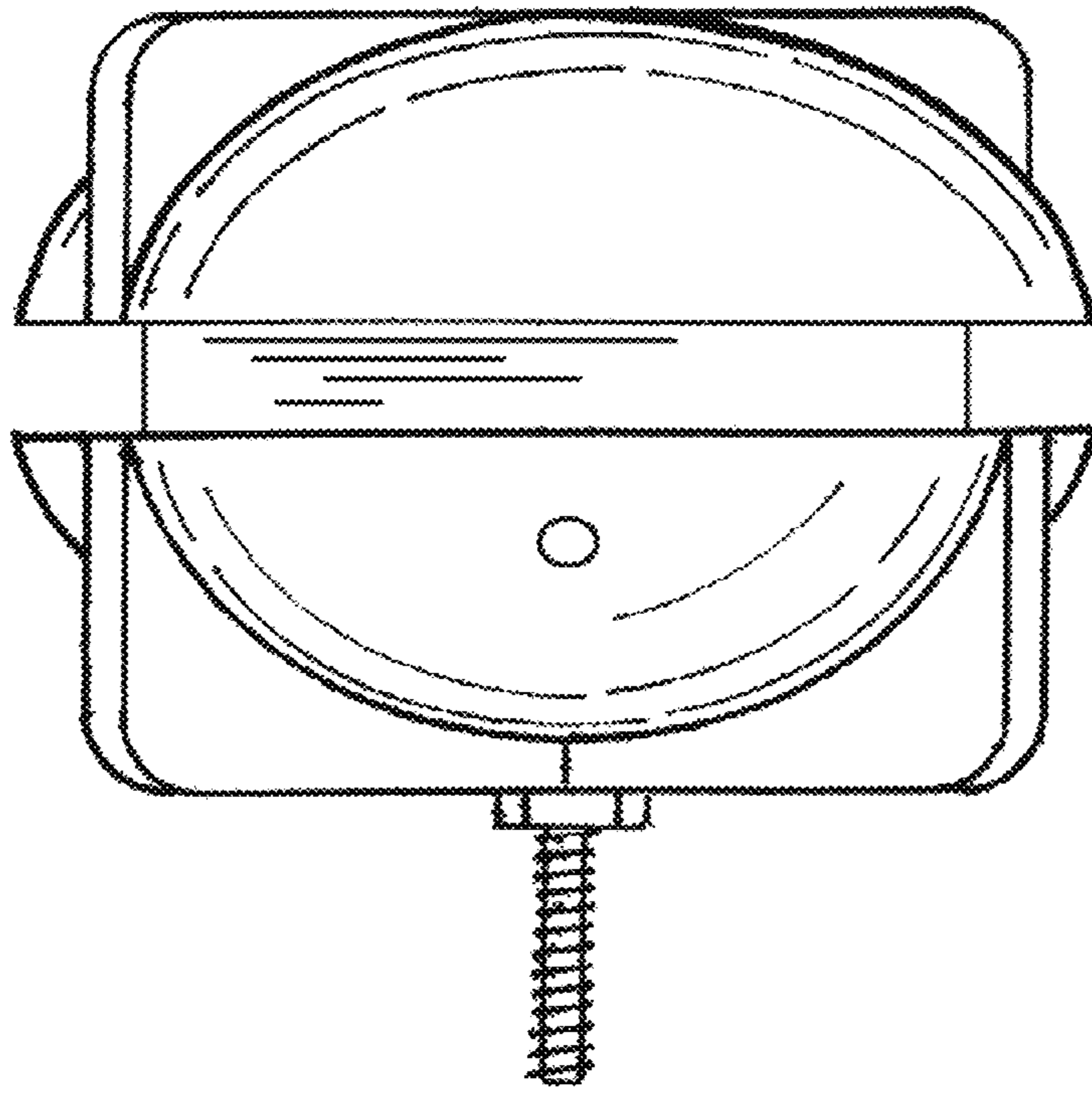


FIG. 13

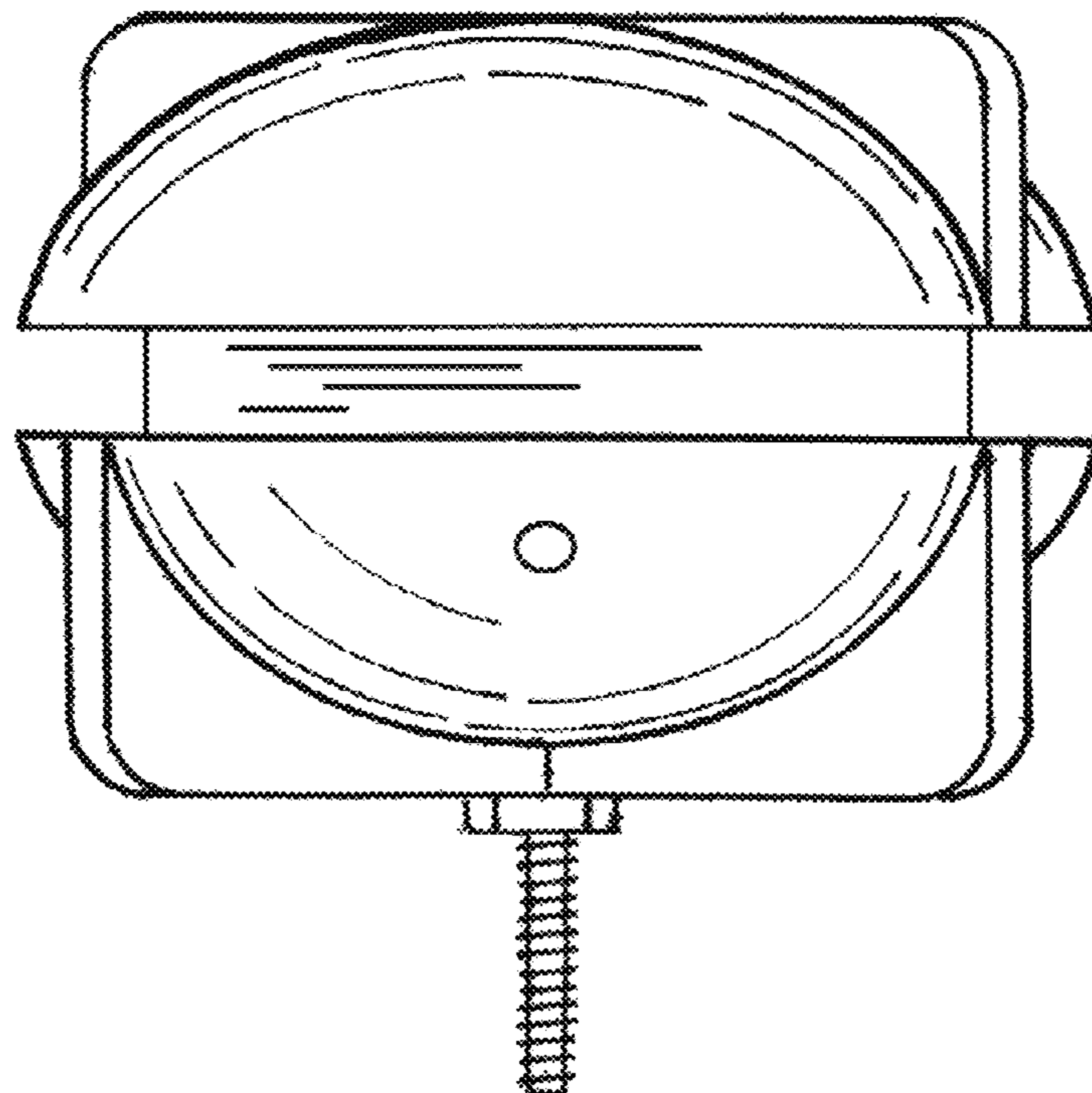


FIG. 14