



US00D905816S

(12) **United States Design Patent** (10) **Patent No.:** **US D905,816 S**
Noller et al. (45) **Date of Patent:** **** Dec. 22, 2020**

(54) **OPTICAL DEVICE RETICLE**
(71) Applicant: **Burriss Company, Inc.**, Greeley, CO (US)
(72) Inventors: **Martin Noller**, Greeley, CO (US); **Sky Leighton**, Greeley, CO (US); **Patrick Beckett**, Greeley, CO (US); **RJ Dussart**, Greeley, CO (US); **Jessie Dussart**, Greeley, CO (US); **Vu Pham**, Greeley, CO (US); **Dorgan Trostel**, Greeley, CO (US)

4,285,137 A 8/1981 Jennie
4,584,776 A 4/1986 Shepherd
D285,540 S 9/1986 Allen
4,789,231 A 12/1988 Shimizu
D306,173 S 2/1990 Reese
5,491,546 A 2/1996 Wascher et al.
D397,704 S 9/1998 Reese
D403,686 S 1/1999 Reese
5,920,995 A 7/1999 Sammut
6,032,374 A 3/2000 Sammut
6,357,158 B1 3/2002 Smith, III
D475,758 S 6/2003 Ishikawa
6,591,537 B2 7/2003 Smith
D517,153 S 3/2006 Timm et al.
D522,030 S 5/2006 Jenkinson
D530,775 S 10/2006 LaCorte
D536,762 S 2/2007 Timm et al.
D542,879 S 5/2007 Zaderey et al.
D544,511 S 6/2007 Geurts
D567,324 S 4/2008 Pride et al.

(73) Assignee: **Burriss Company, Inc.**, Greeley, CO (US)

(**) Term: **15 Years**

(21) Appl. No.: **29/692,873**

(22) Filed: **May 29, 2019**

Related U.S. Application Data

(62) Division of application No. 29/604,065, filed on May 15, 2017, now Pat. No. Des. 850,568, which is a division of application No. 29/524,216, filed on Apr. 17, 2015, now Pat. No. Des. 805,156.

(51) **LOC (12) Cl.** **22-01**

(52) **U.S. Cl.**
USPC **D22/109**

(58) **Field of Classification Search**
USPC D22/109; D16/130-133, 134-136; D14/404
CPC ... F41G 1/38; F41G 1/473; F41G 3/08; F41G 3/06; F41G 3/00; F41G 1/00
See application file for complete search history.

(56) **References Cited**

U.S. PATENT DOCUMENTS

3,190,003 A 6/1965 O'Brien
3,392,450 A 7/1968 Herter et al.

(Continued)

Primary Examiner — Michael A. Pratt

(57) **CLAIM**

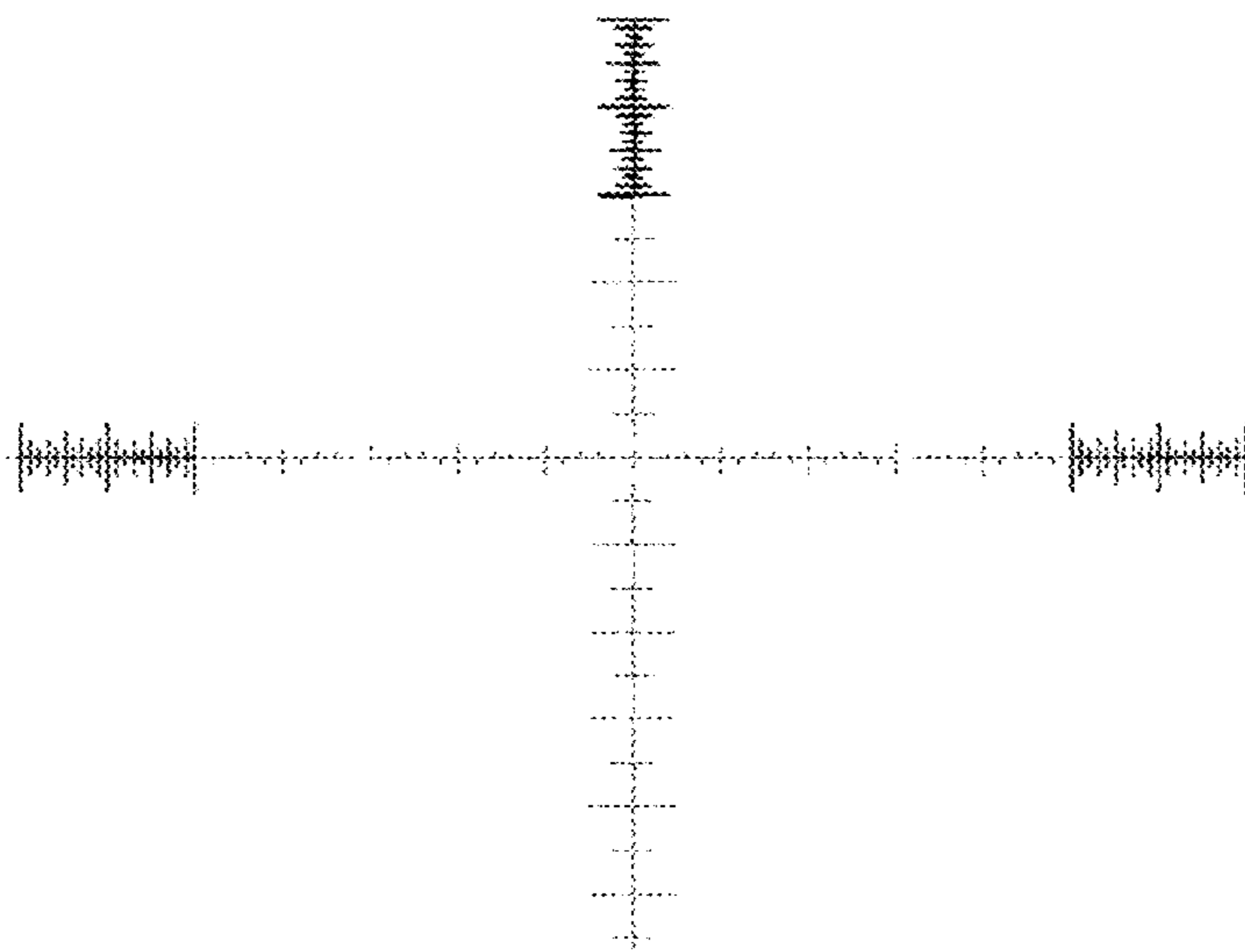
The ornamental design for an optical device reticle, as shown and described.

DESCRIPTION

FIG. 1 is a perspective view of an environment for use with an optical device reticle for an optical device;
FIG. 2 is a view of an embodiment of an optical device reticle for an optical device, as viewed through an eyepiece end of the optical device;
FIG. 3 is a view of the optical device reticle of FIG. 2; and,
FIG. 4 is an enlarged view of the optical device reticle of FIG. 2.

In the figures, the dashed lines indicate environmental features that form no part of the claimed invention.

1 Claim, 4 Drawing Sheets



(56)

References Cited

U.S. PATENT DOCUMENTS

D567,325 S 4/2008 Pride et al.
 D567,326 S 4/2008 Pride et al.
 D567,896 S 4/2008 Pride et al.
 D570,441 S 6/2008 Pride et al.
 D584,376 S 1/2009 Peters et al.
 D587,333 S 2/2009 Peters et al.
 7,603,804 B2 10/2009 Zaderey et al.
 D609,769 S 2/2010 Lacorte
 7,654,029 B2 2/2010 Peters et al.
 D613,362 S 4/2010 Huber
 D613,363 S 4/2010 Huber
 D631,125 S 1/2011 Huber
 D651,682 S 1/2012 Beckett et al.
 D679,776 S * 4/2013 Bracken D22/108
 D679,777 S * 4/2013 Bracken D22/108
 D680,187 S * 4/2013 Bracken D22/108
 D683,418 S 5/2013 Beckett et al.
 D684,653 S 6/2013 Smith et al.
 D703,784 S 4/2014 Smith

D716,905 S 11/2014 Beckett et al.
 9,068,799 B1 * 6/2015 Wu F41G 1/473
 9,250,038 B2 * 2/2016 Sammut F41G 1/38
 9,255,771 B2 2/2016 Sammut
 9,335,123 B2 5/2016 Sammut
 D783,113 S 4/2017 Noller et al.
 D783,114 S 4/2017 Noller et al.
 D783,115 S * 4/2017 Noller D22/109
 D805,156 S * 12/2017 Noller D22/109
 D850,568 S 6/2019 Noller et al.
 2004/0016168 A1 1/2004 Thomas et al.
 2005/0005495 A1 1/2005 Smith
 2005/0229468 A1 10/2005 Zaderey et al.
 2007/0044364 A1 3/2007 Sammut et al.
 2007/0097351 A1 5/2007 York et al.
 2008/0098640 A1 5/2008 Sammut et al.
 2014/0068993 A1 3/2014 Mikroulis
 2015/0362288 A1 * 12/2015 Sammut F41G 3/08
 2016/0153749 A1 6/2016 Sammut
 2016/0202021 A1 7/2016 Roman
 235/404

* cited by examiner

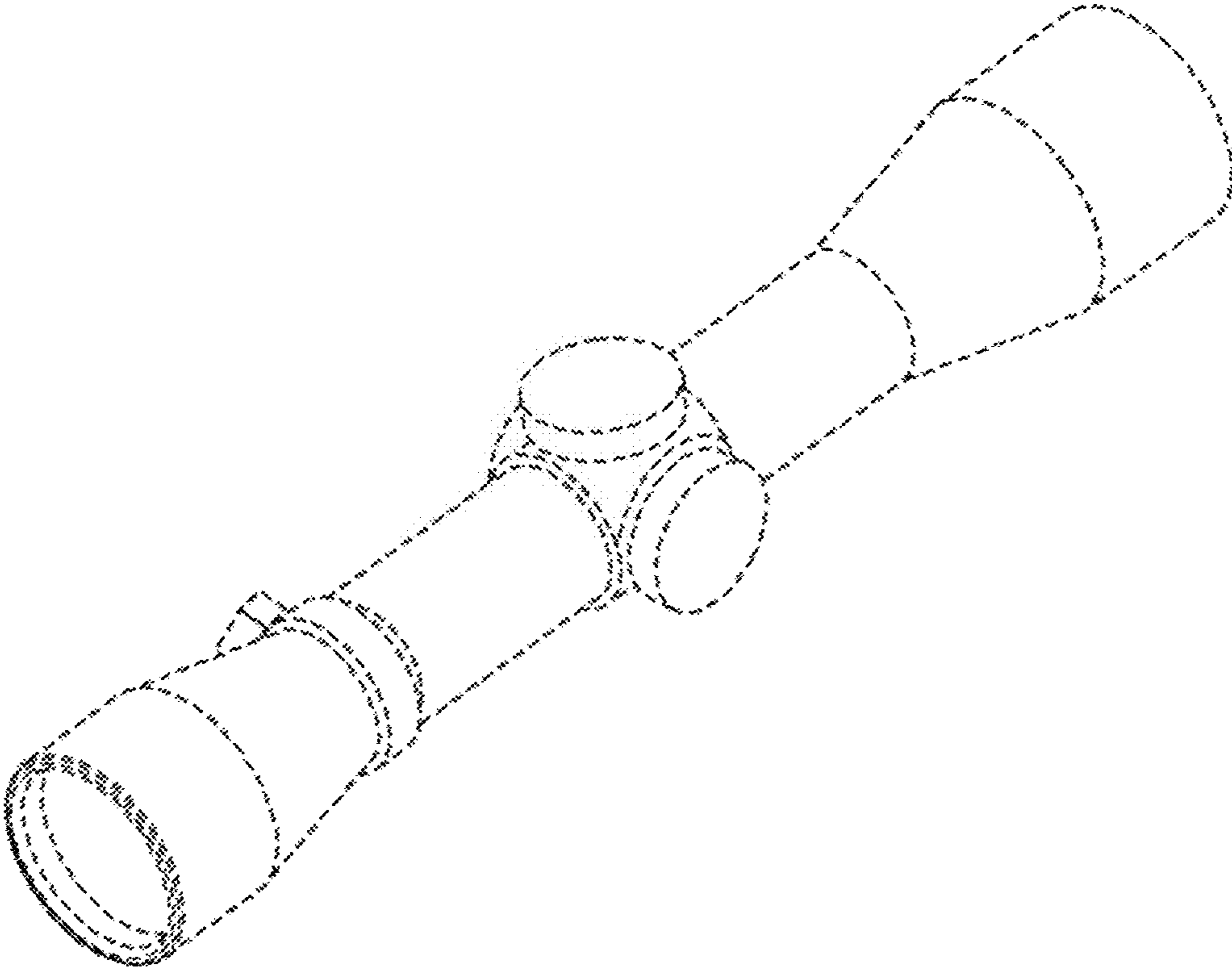


FIG.1

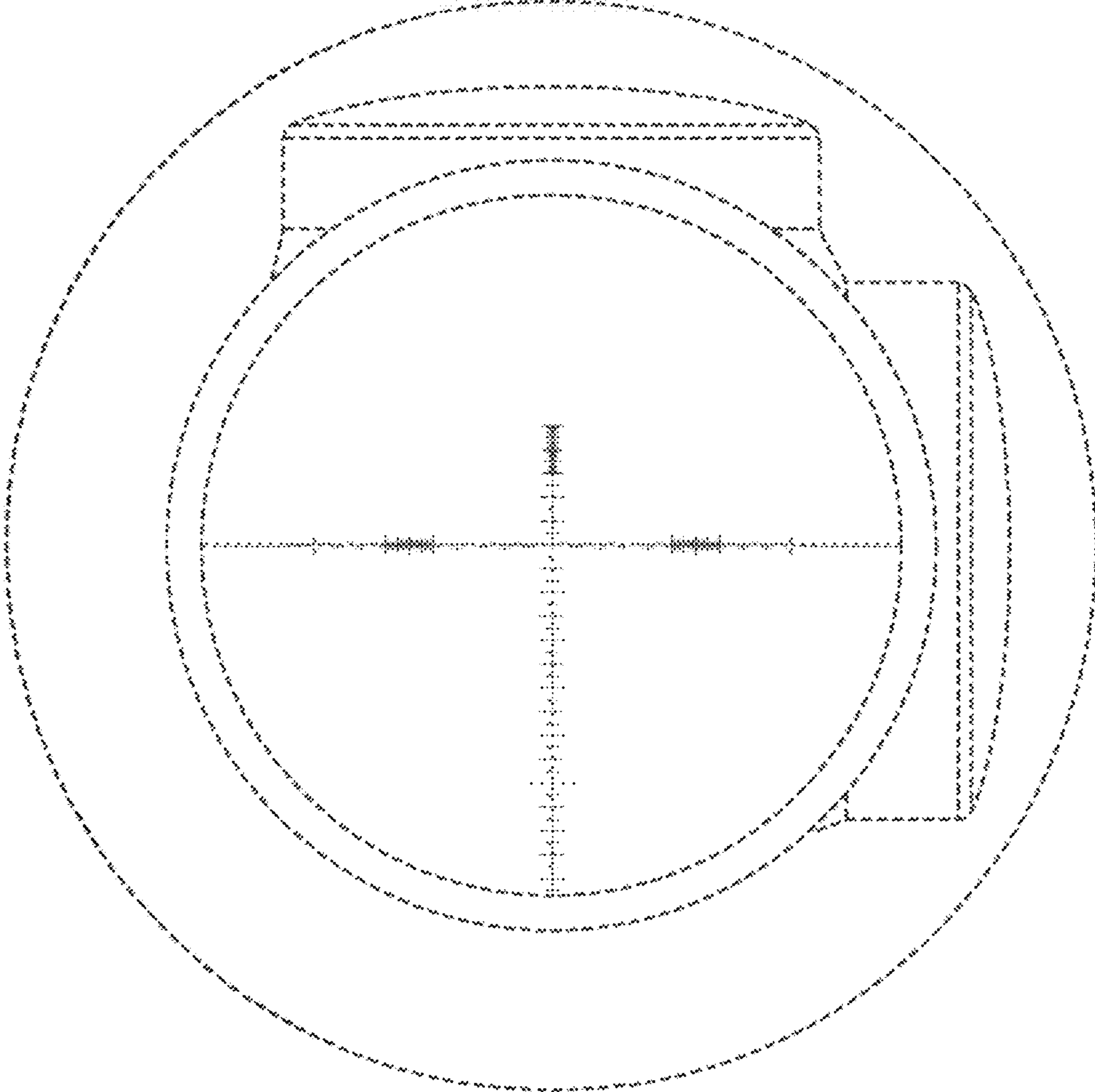
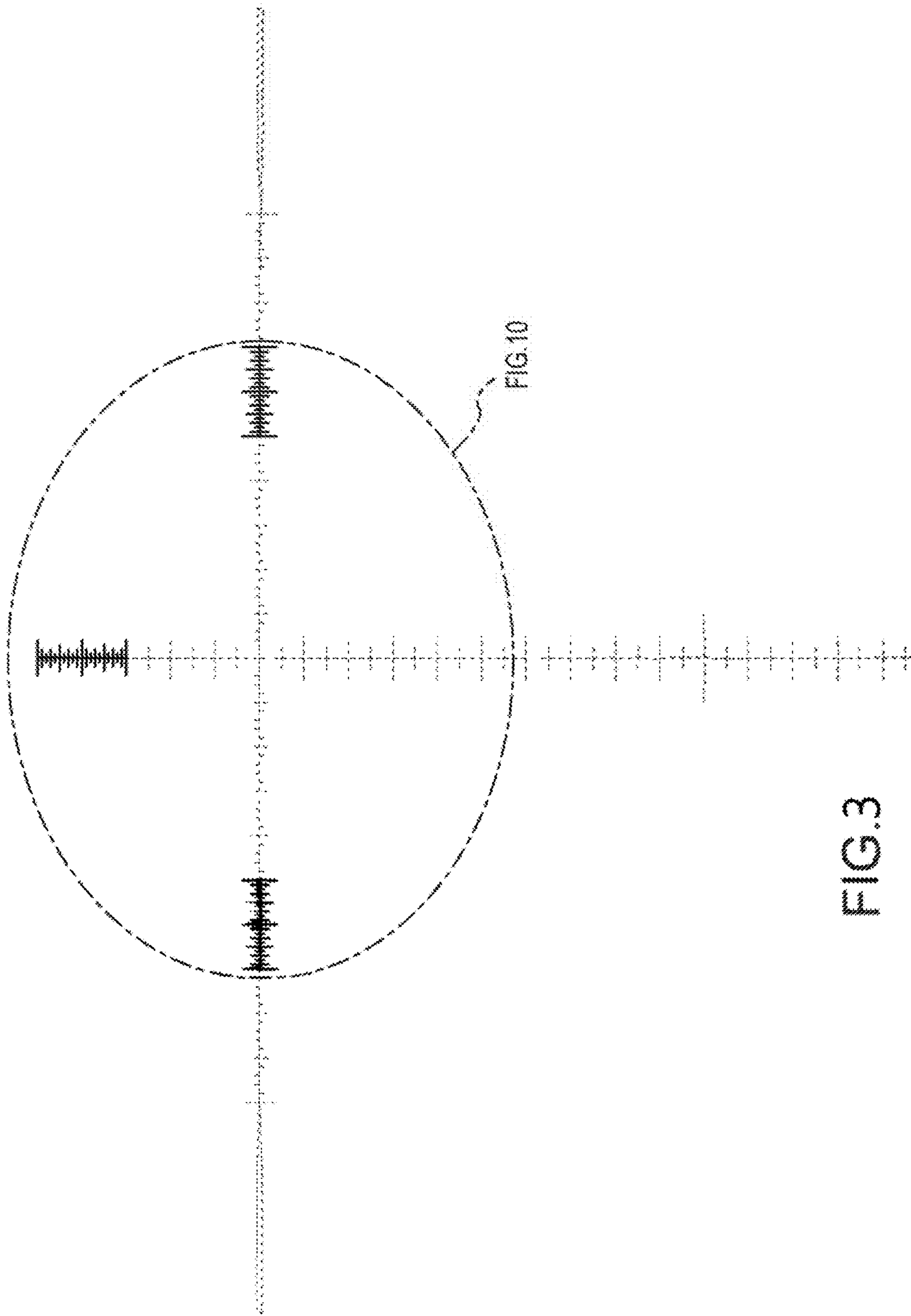


FIG.2



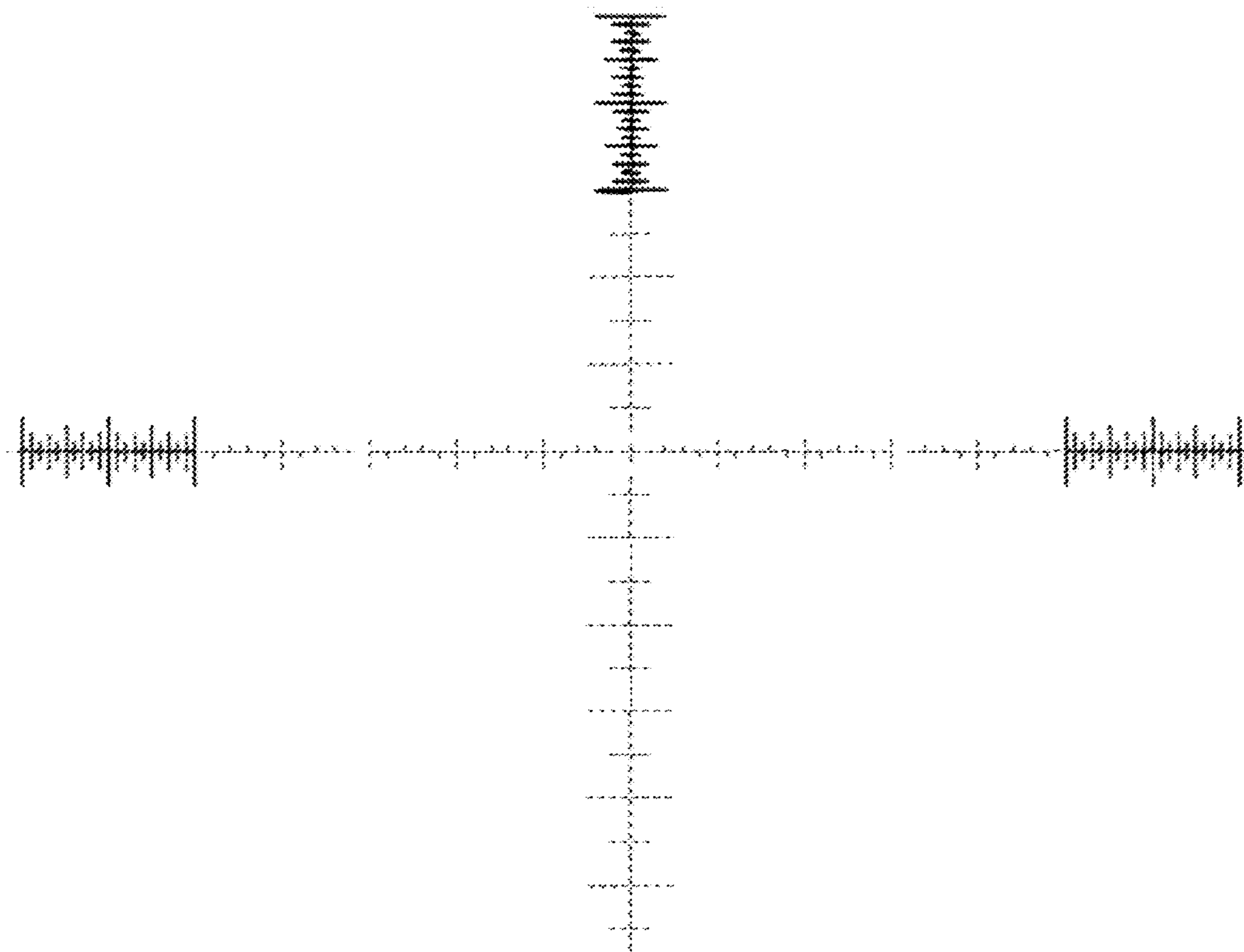


FIG.4