



US00D905813S

(12) **United States Design Patent** (10) **Patent No.:** **US D905,813 S**  
**Acarreta et al.** (45) **Date of Patent:** **\*\* Dec. 22, 2020**

(54) **PART OF A WEAPON**

(71) Applicant: **RADE TECNOLOGÍAS, S.L.**,  
Saragossa (ES)

(72) Inventors: **Raül Delgado Acarreta**, Saragossa  
(ES); **Diego Lorente Algora**, Saragossa  
(ES); **David Puértolas Sanz**, Saragossa  
(ES)

(73) Assignee: **RADE TECNOLOGÍAS, S.L.**,  
Saragossa (ES)

(\*\*) Term: **15 Years**

(21) Appl. No.: **29/698,657**

(22) Filed: **Jul. 18, 2019**

(30) **Foreign Application Priority Data**

Jan. 21, 2019 (EM) ..... 006080537-0005

(51) **LOC (12) Cl.** ..... **22-08**

(52) **U.S. Cl.**  
USPC ..... **D22/108**

(58) **Field of Classification Search**  
USPC ..... D22/108; D21/572-573  
CPC ..... F41C 23/14  
See application file for complete search history.

(56) **References Cited**

U.S. PATENT DOCUMENTS

D352,338 S \* 11/1994 Schuemann ..... D22/108  
D697,163 S \* 1/2014 Bietsch ..... D22/108  
D709,587 S \* 7/2014 Vreeland ..... D22/108  
D867,512 S \* 11/2019 Zukowski ..... D22/108

\* cited by examiner

*Primary Examiner* — Michael A. Pratt

(74) *Attorney, Agent, or Firm* — Cantor Colburn LLP

(57) **CLAIM**

We claim, the ornamental design for a part of a weapon, as shown and described.

**DESCRIPTION**

FIG. 1 is a side view of a part of a weapon, showing our new design;

FIG. 2 is an opposite side view thereof;

FIG. 3 is a front view thereof;

FIG. 4 is a rear view thereof;

FIG. 5 is a top view thereof;

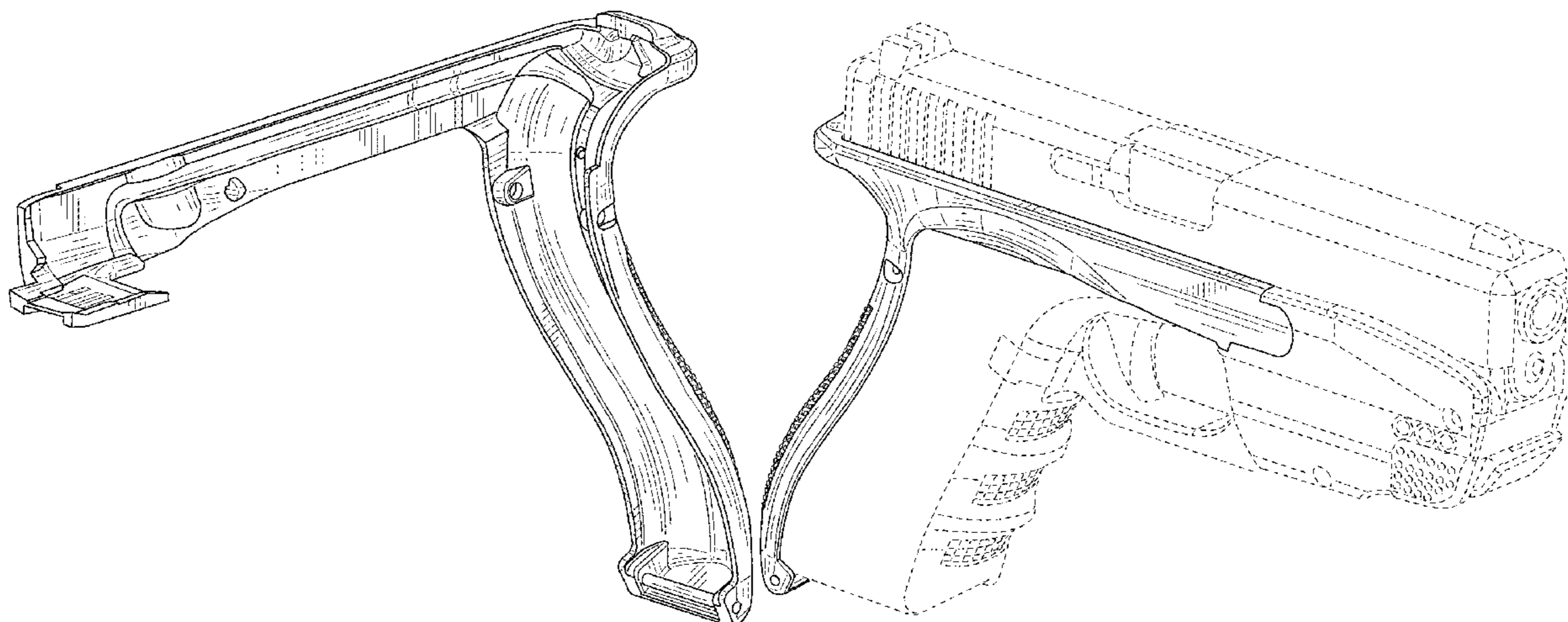
FIG. 6 is a bottom view thereof;

FIG. 7 is a perspective view thereof; and,

FIG. 8 is another perspective view of thereof.

Where portions shown in broken lines form no part of the claimed design.

**1 Claim, 8 Drawing Sheets**



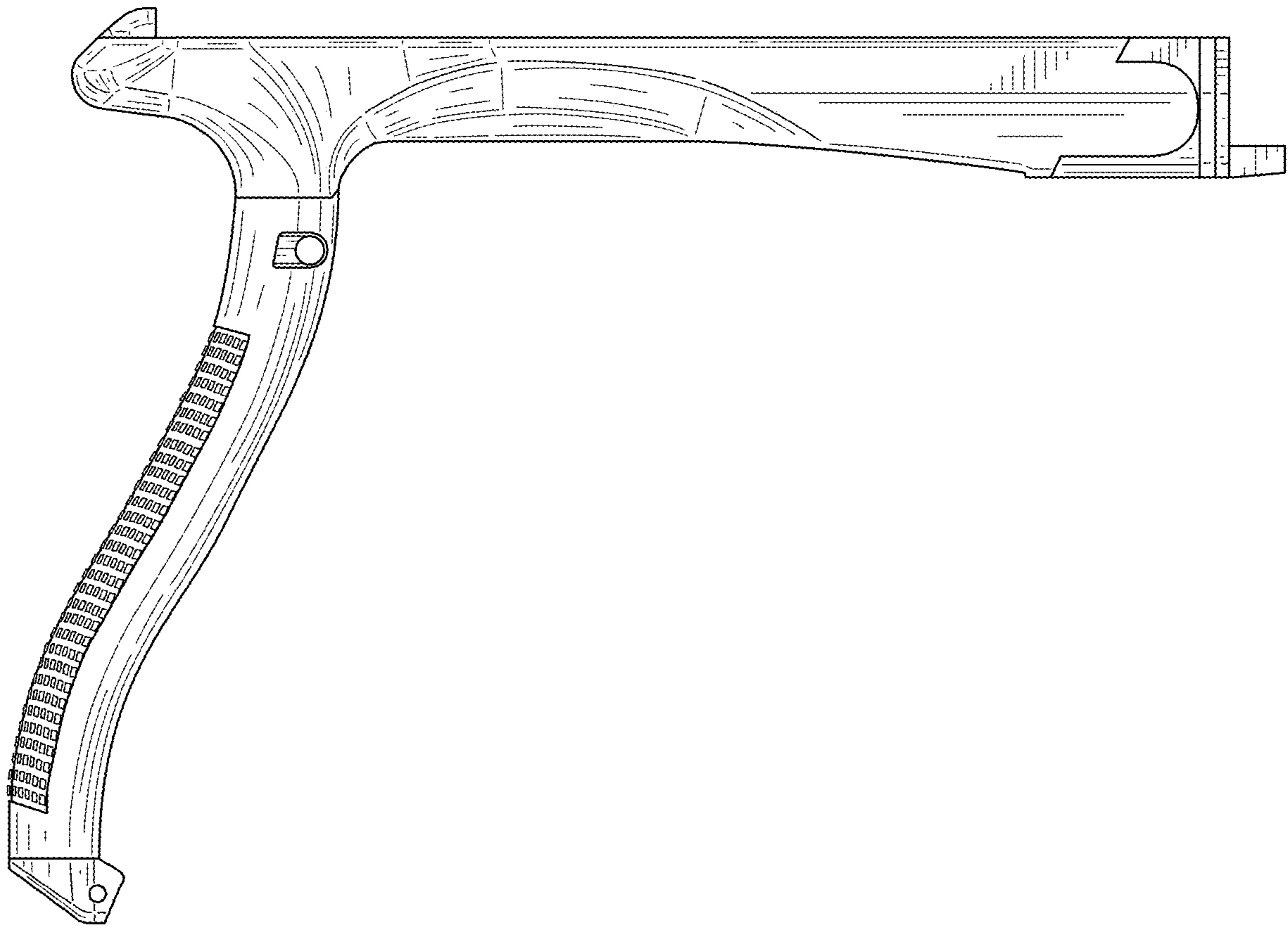


FIG. 1

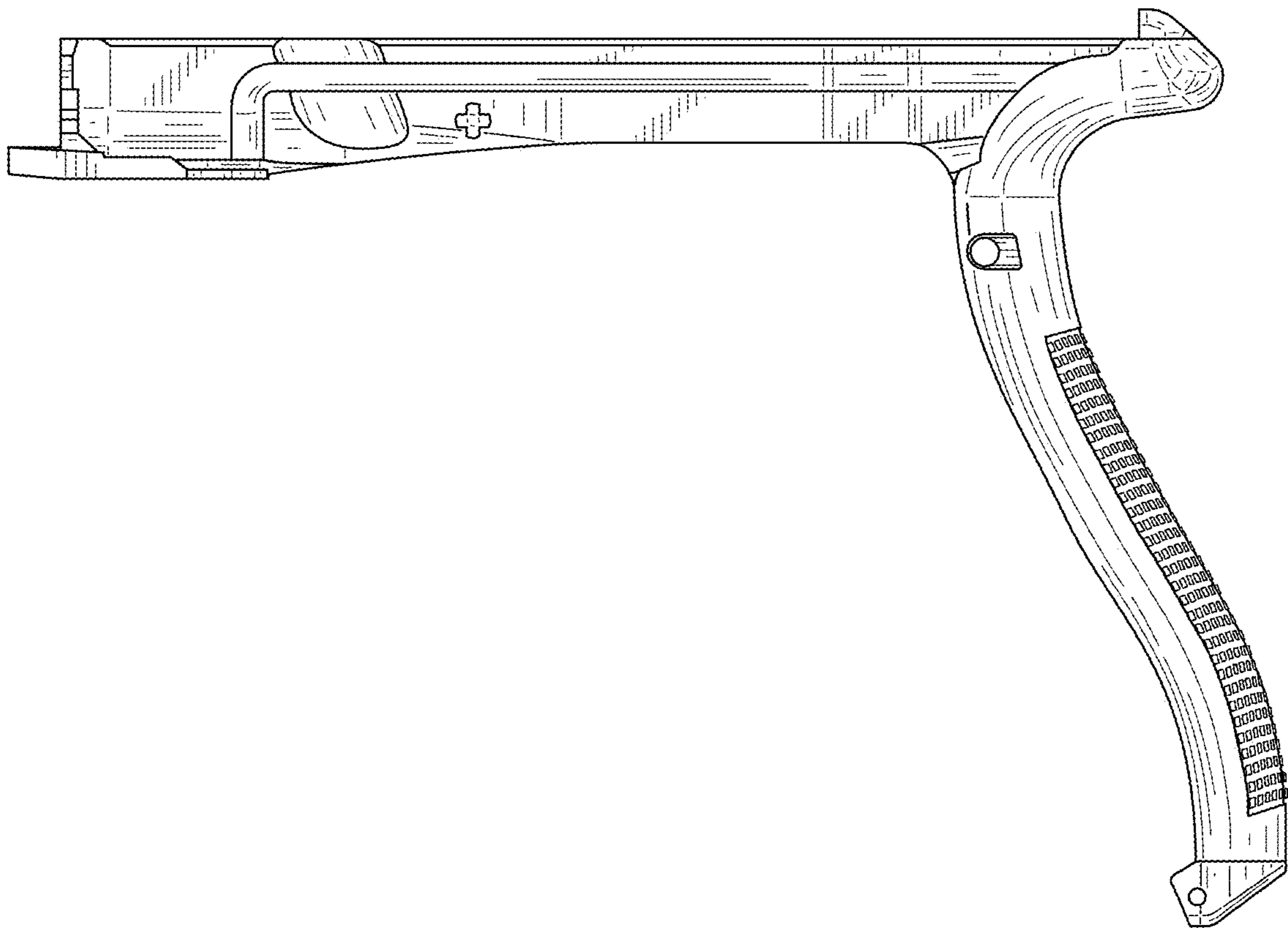


FIG. 2

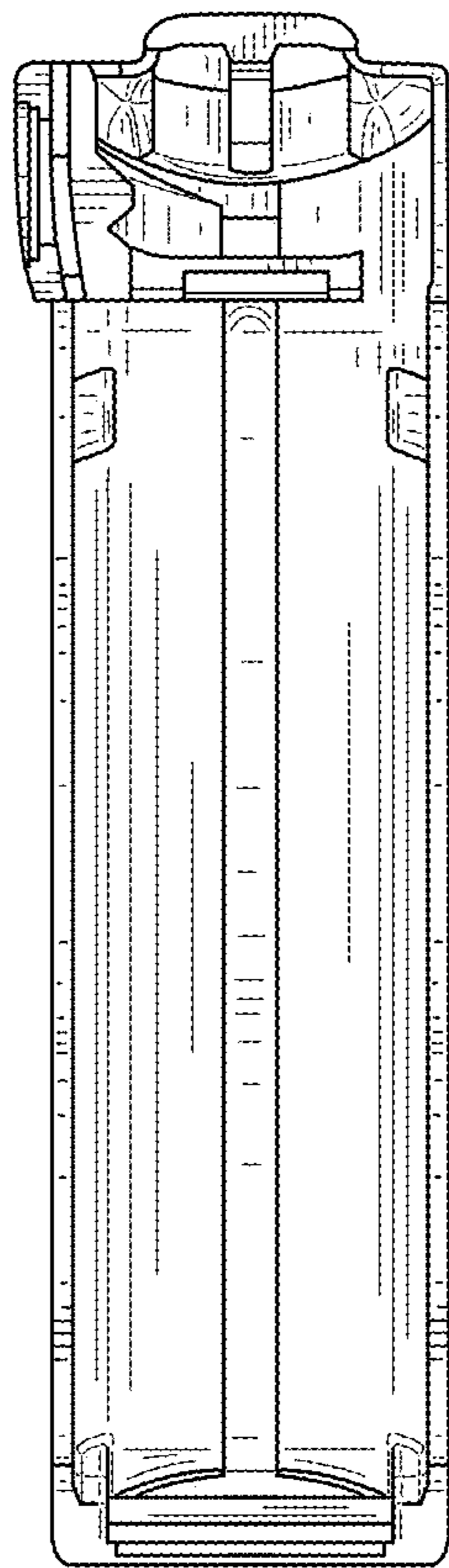


FIG. 3

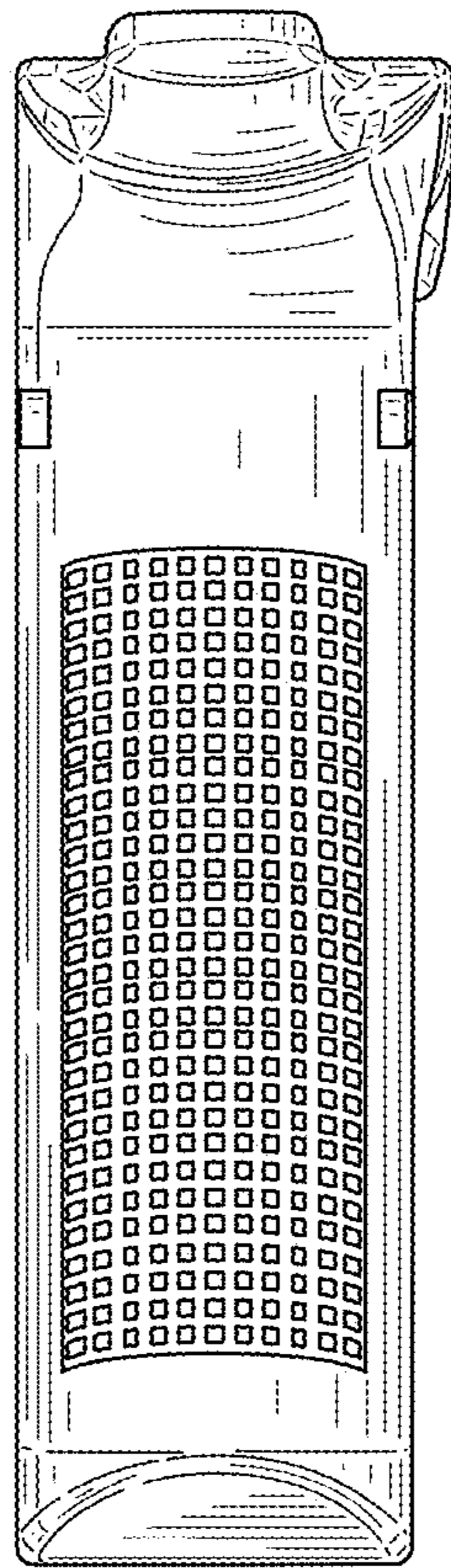


FIG. 4

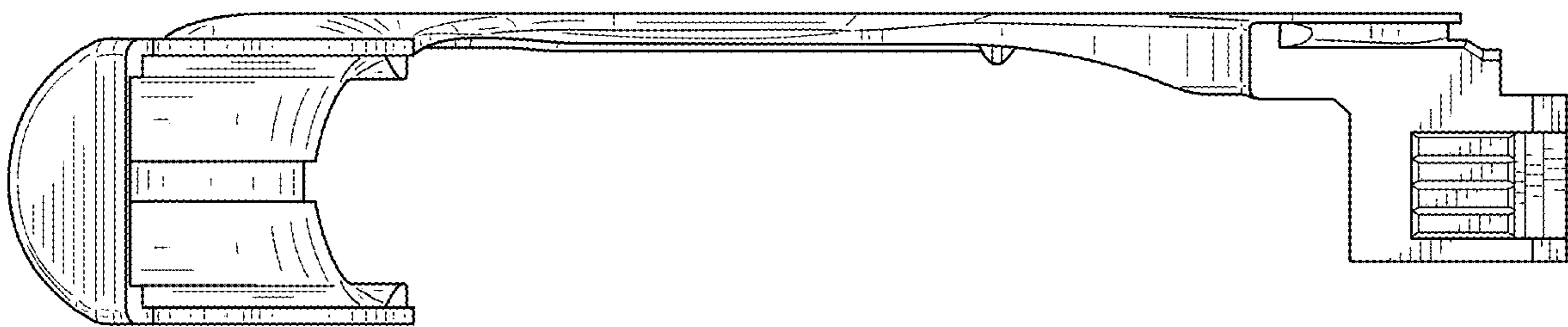


FIG. 5

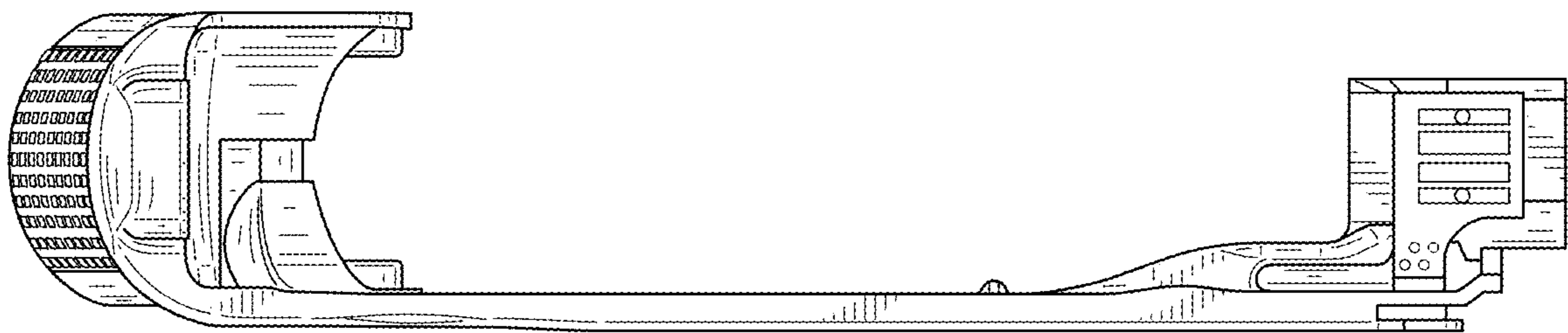


FIG. 6

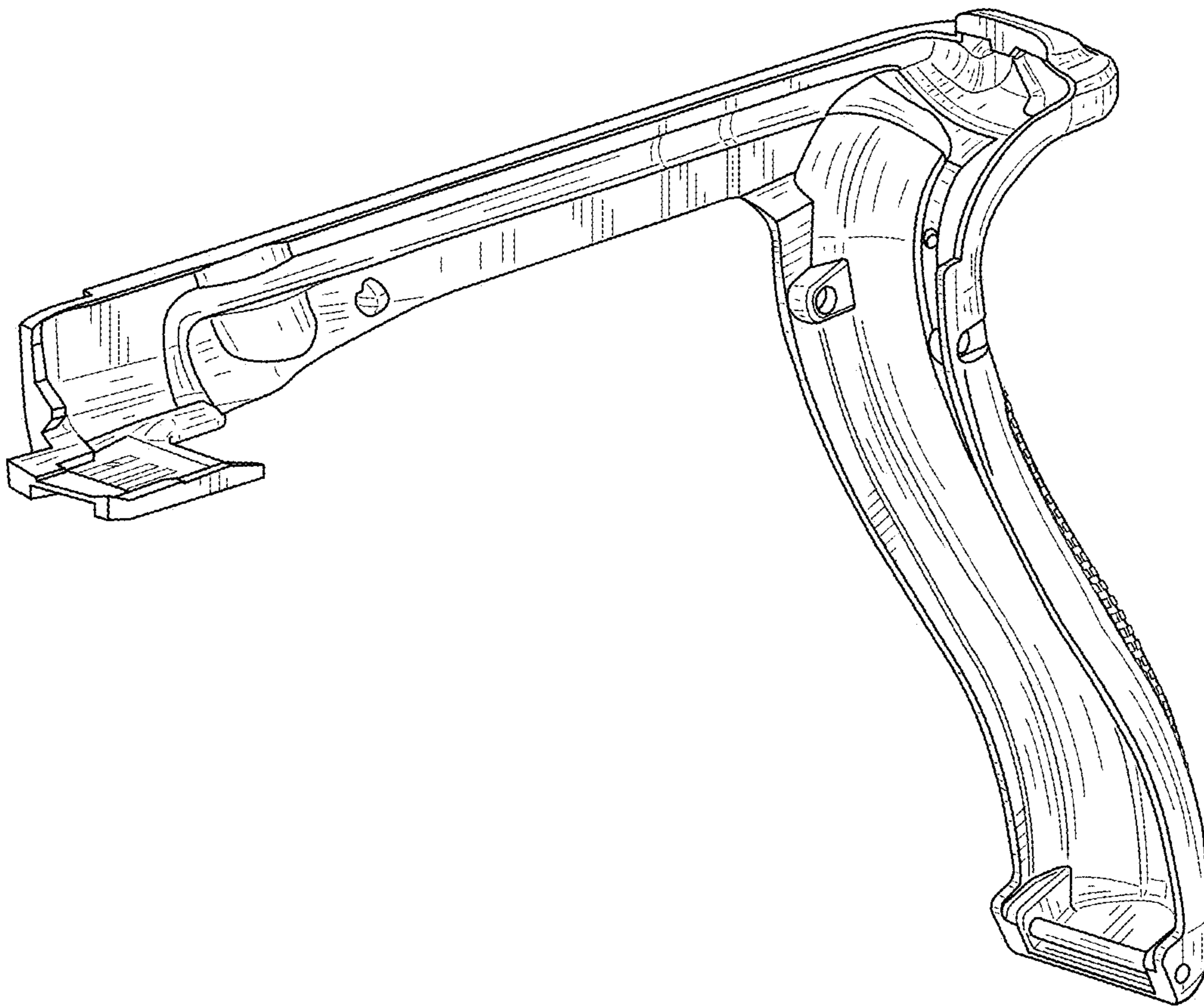


FIG. 7



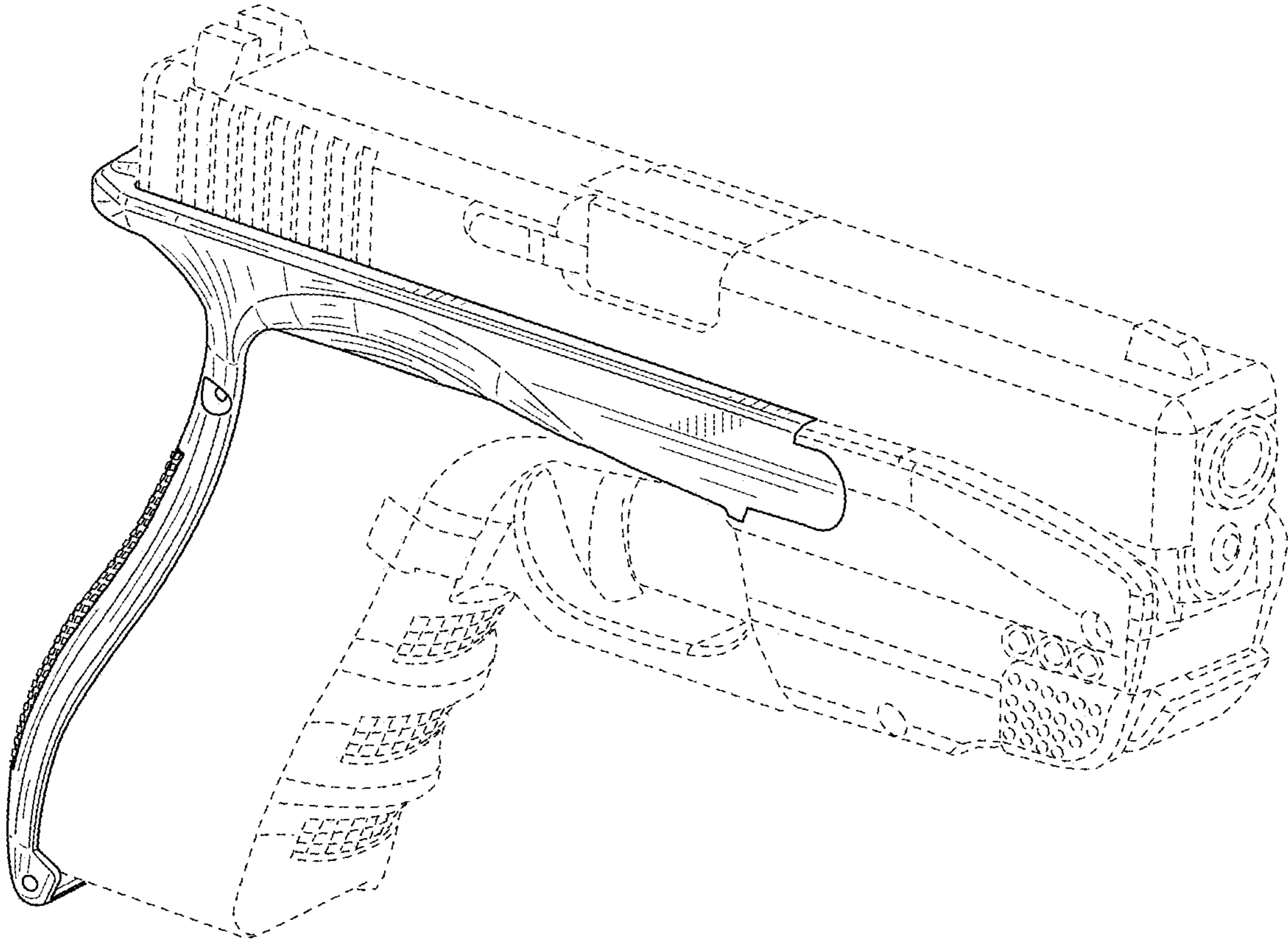


FIG. 8