



US00D905812S

(12) **United States Design Patent** (10) **Patent No.:** **US D905,812 S**
Chin (45) **Date of Patent:** **** Dec. 22, 2020**

(54) **END PLATE**
(71) Applicant: **David Chin**, Irvine, CA (US)
(72) Inventor: **David Chin**, Irvine, CA (US)
(**) Term: **15 Years**

2006/0254113 A1* 11/2006 Esch F41C 23/02
42/85
2010/0162609 A1* 7/2010 Rogers F41C 23/02
42/85
2011/0017788 A1* 1/2011 Haley F41C 23/02
224/150

(21) Appl. No.: **29/657,322**
(22) Filed: **Jul. 20, 2018**
(51) **LOC (12) Cl.** **22-01**
(52) **U.S. Cl.**
USPC **D22/108**
(58) **Field of Classification Search**
USPC D22/100, 101, 103, 104, 105, 108, 109,
D22/110, 111, 199; D21/567, 573, 574,
D21/575
CPC F41A 23/02; F41A 35/00; F41C 23/04;
F41C 23/12; F41C 27/22
See application file for complete search history.

OTHER PUBLICATIONS

“Strike Industries Enhanced End Plate and Castle Nut” [online]. Pete. [Published on Nov. 22, 2016]. Retrieved from the Internet: <https://www.thefirearmblog.com/blog/2016/11/22/strike-industries/>.
*
“Fortis Lightweight Enhanced (Le™) Castle Nut & End Plate System” [online]. Hrachya H. [Published on Aug. 22, 2018]. Retrieved from the Internet: <https://www.thefirearmblog.com/blog/2018/08/22/fortis-lightweight-enhanced-le-castle-nut-end-plate-system/>.
*
“Troy Pro Grade Sling Adaptor (Midway USA)” [online]. Sniffmoney Arms and Ammo. [Published on Mar. 29, 2014]. Retrieved from the Internet: <https://www.youtube.com/watch?v=aDfHVz2fSNY>.
*
“Introducing The Tribus Enhanced Castle Nut & Extended End Plate” [online]. Strike Industries. [Published on Sep. 13, 2019]. Retrieved from the Internet: <https://www.youtube.com/watch?v=Ctv5FLN19VM>.
*
* cited by examiner

(56) **References Cited**

U.S. PATENT DOCUMENTS

D518,118 S * 3/2006 Orr D21/573
D520,080 S * 5/2006 Orr D21/573
D568,957 S * 5/2008 Esch D22/108
D612,895 S * 3/2010 Stein D21/573
D664,233 S * 7/2012 Heidkamp D22/108
D722,355 S * 2/2015 Daniel D22/108
D726,277 S * 4/2015 Mayberry D22/108
9,052,157 B1 * 6/2015 Montes F41C 23/02
D753,256 S * 4/2016 Azhocar D22/108
D753,257 S * 4/2016 Azhocar D22/108
D753,784 S * 4/2016 Montes D22/108
D762,276 S * 7/2016 Pittman D22/108
9,435,595 B2 * 9/2016 Azhocar F41A 11/00
D813,972 S * 3/2018 Montes D22/108
D821,189 S * 6/2018 Ray D8/396
D825,023 S * 8/2018 Jozaitis D22/110

Primary Examiner — Khawaja Anwar
Assistant Examiner — Mojtaba Tehrani
(74) *Attorney, Agent, or Firm* — Kafantaris Law Offices;
Theo Kafantaris

(57) **CLAIM**

I claim the ornamental design for an end plate, as shown and described.

DESCRIPTION

FIG. 1 is a front view of the end plate;
FIG. 2 is a right side view thereof, the left side being a mirror image; and,
FIG. 3 is a rear perspective view thereof.
The broken line in the figure drawings depicts unclaimed environment only and forms no part of the claimed design.

1 Claim, 2 Drawing Sheets

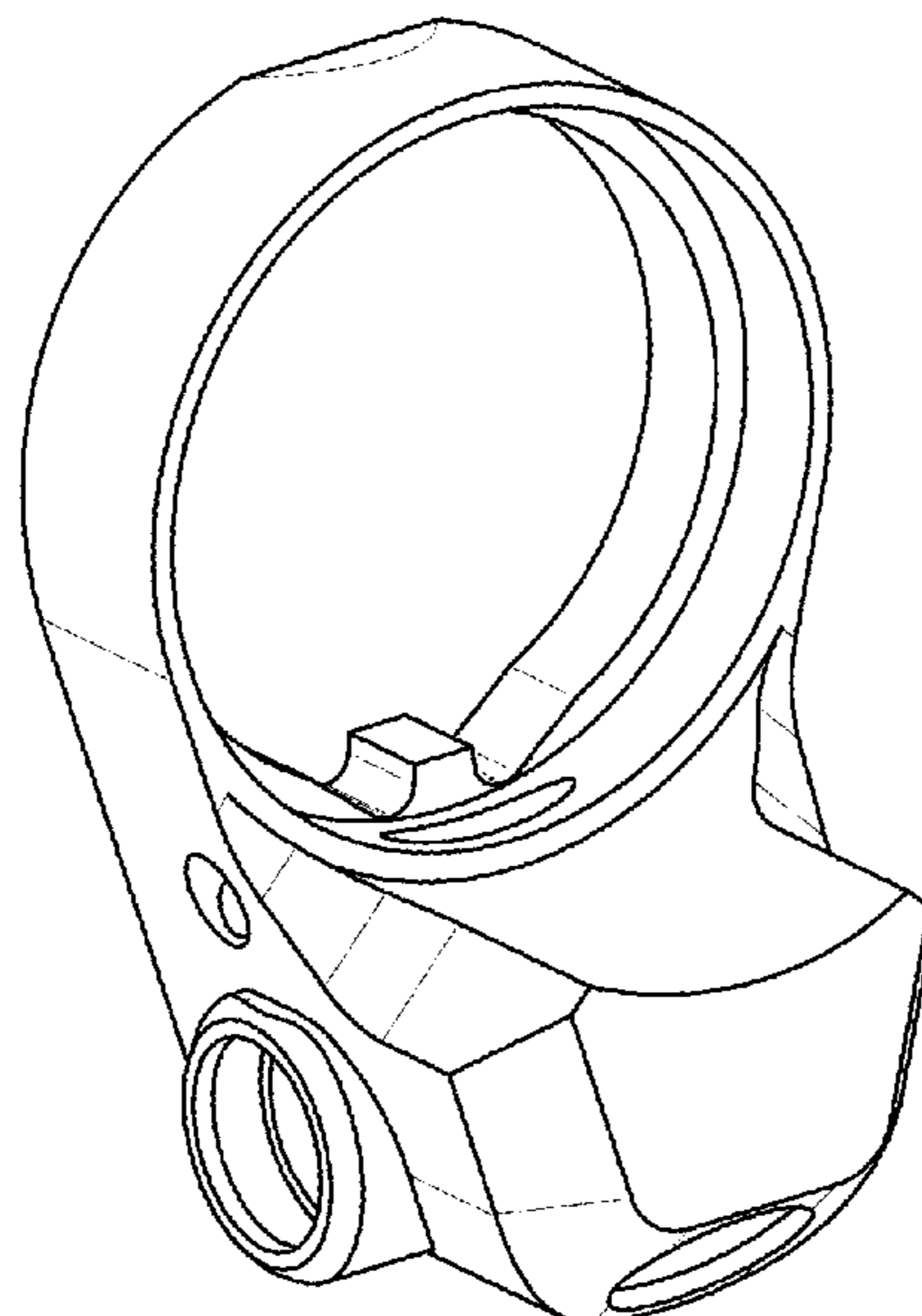


FIG. 1

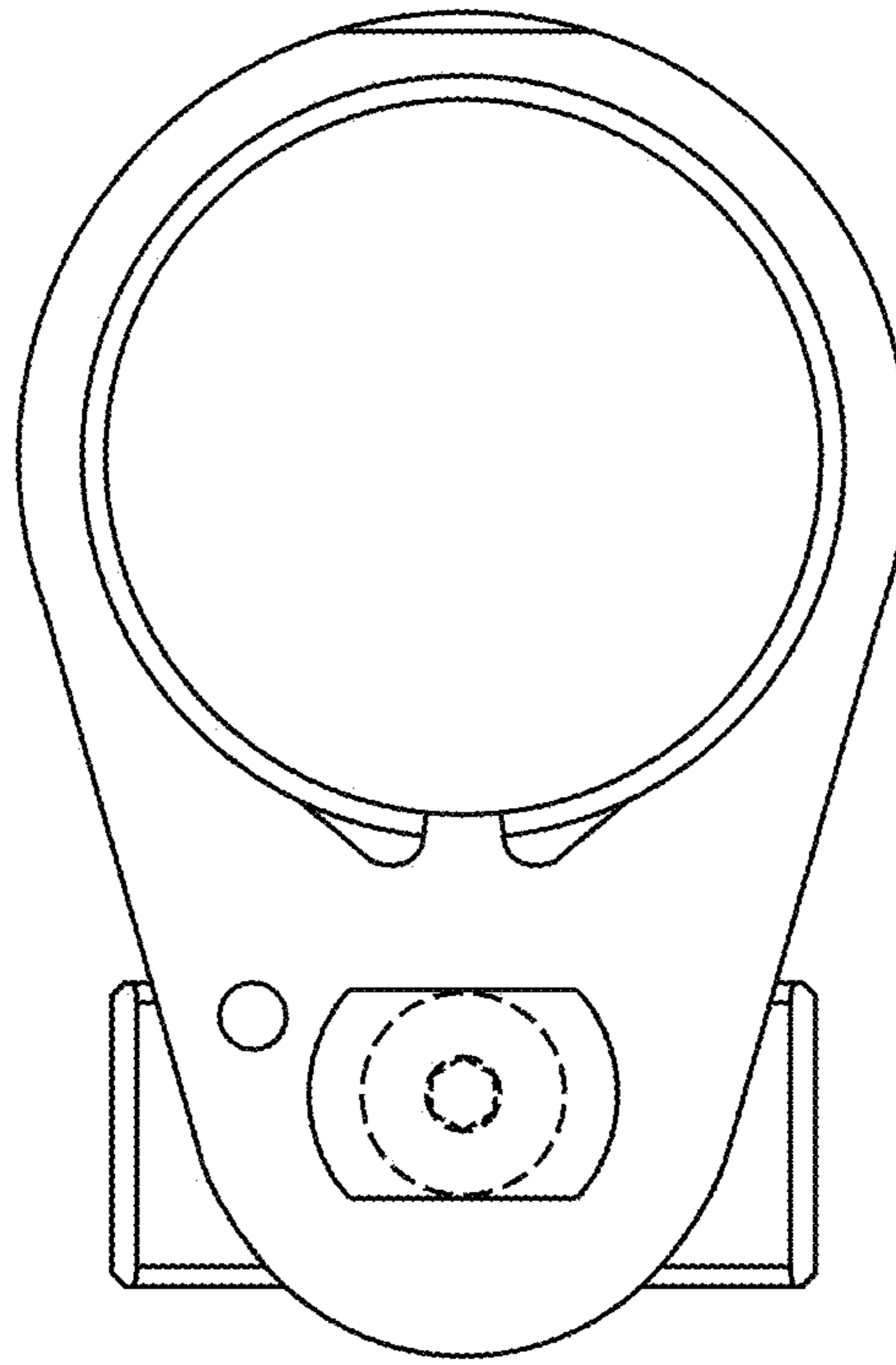


FIG. 2

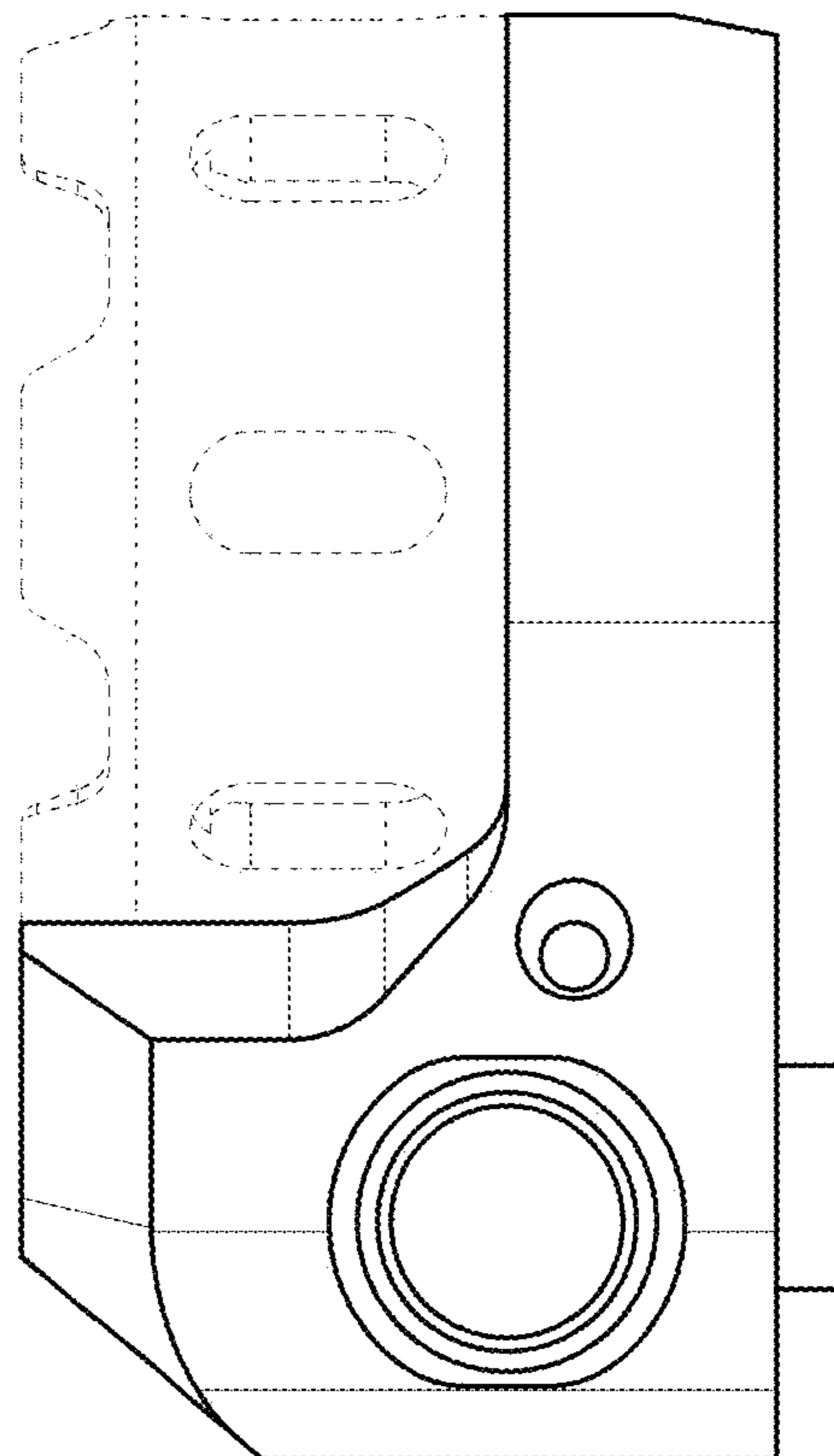


FIG. 3

