



US00D905810S

(12) **United States Design Patent**  
**Anderegg**

(10) **Patent No.:** **US D905,810 S**

(45) **Date of Patent:** **\*\* Dec. 22, 2020**

(54) **SKATEBOARD**

(71) Applicant: **Philipp Anderegg**, Zurich (CH)

(72) Inventor: **Philipp Anderegg**, Zurich (CH)

(\*\*) Term: **15 Years**

(21) Appl. No.: **35/507,566**

(22) Filed: **Apr. 22, 2019**

(80) **Hague Agreement Data**

Int. Filing Date: **Apr. 22, 2019**

Int. Reg. No.: **DM/202229**

Int. Reg. Date: **Apr. 22, 2019**

Int. Reg. Pub. Date: **Oct. 25, 2019**

(51) **LOC (12) Cl.** ..... **21-02**

(52) **U.S. Cl.**

USPC ..... **D21/765**

(58) **Field of Classification Search**

USPC ..... D20/11, 29, 30, 35; D21/760, 763, 764,  
D21/765, 771

CPC ..... A63C 17/01-08; A63C 3/00-14

See application file for complete search history.

(56) **References Cited**

**U.S. PATENT DOCUMENTS**

D246,065 S \* 10/1977 Saul ..... D21/765

D295,208 S \* 4/1988 Vallejo ..... D21/765

D741,431 S \* 10/2015 Wells ..... D21/765  
D770,585 S \* 11/2016 Desberg ..... D21/765  
D792,931 S \* 7/2017 Desberg ..... D21/765  
D800,222 S \* 10/2017 Graham ..... D20/29  
D827,748 S \* 9/2018 Desberg ..... D21/765  
D838,793 S \* 1/2019 Pang ..... D21/765  
D865,096 S \* 10/2019 Desberg ..... D21/765

\* cited by examiner

*Primary Examiner* — George D. Kirschbaum

*Assistant Examiner* — Joseph J Kukella

(57) **CLAIM**

The ornamental design for a skateboard, as shown and described.

**DESCRIPTION**

1. Skateboard

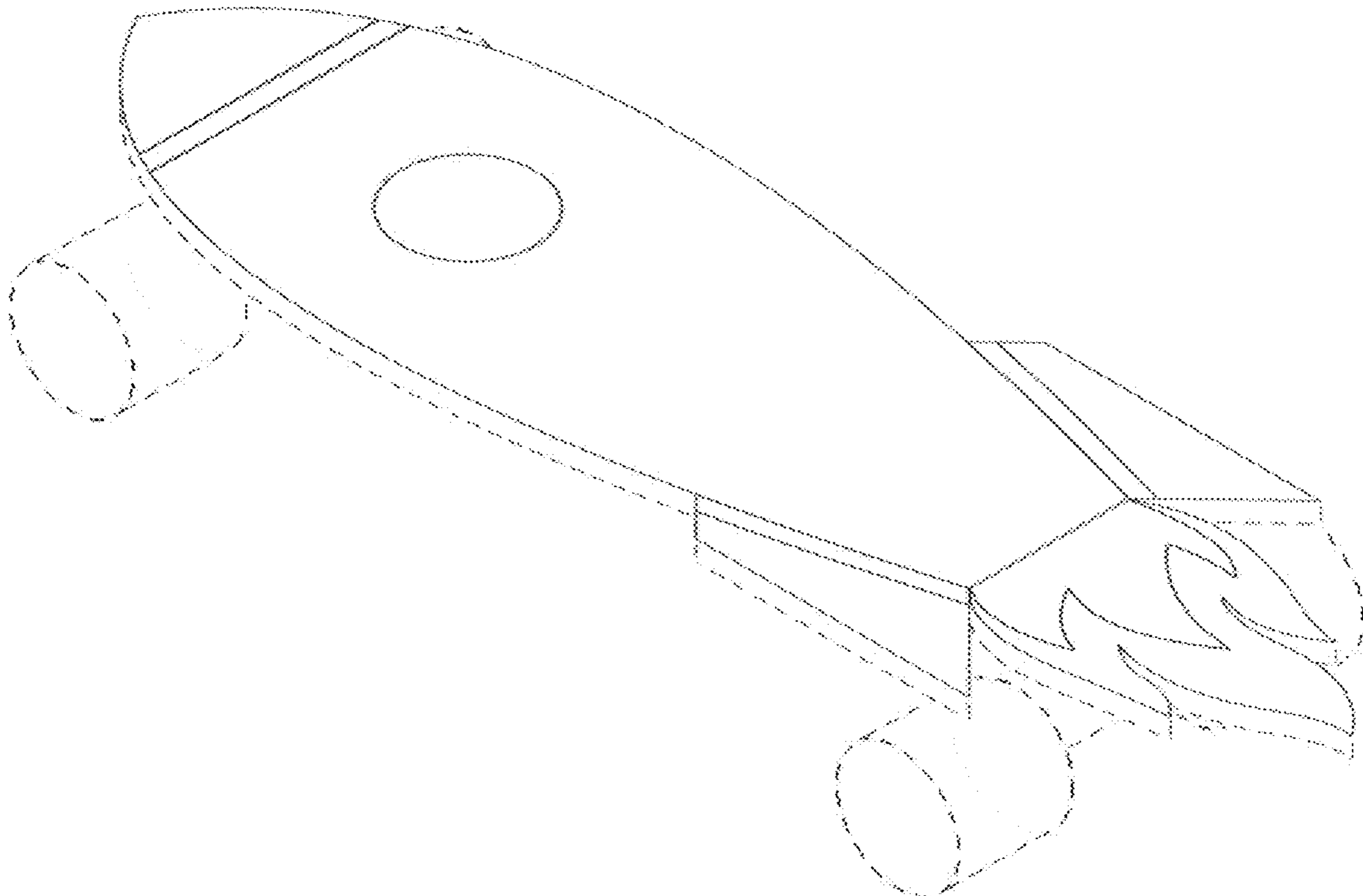
1.1 : Top

1.2 : Perspective

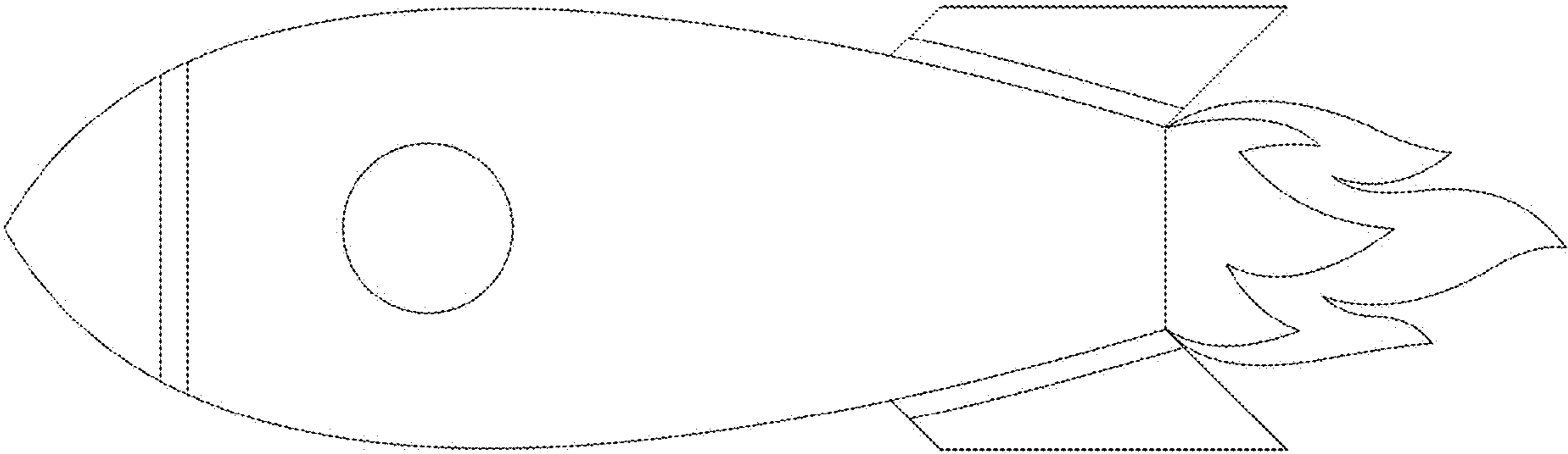
1.3 : Perspective

Skateboard deck design. 1.1) top view; 1.2) perspective (back, top, left); 1.3) perspective (front, top, right); The parts shown by means of broken lines in the reproductions are not part of the claimed design.

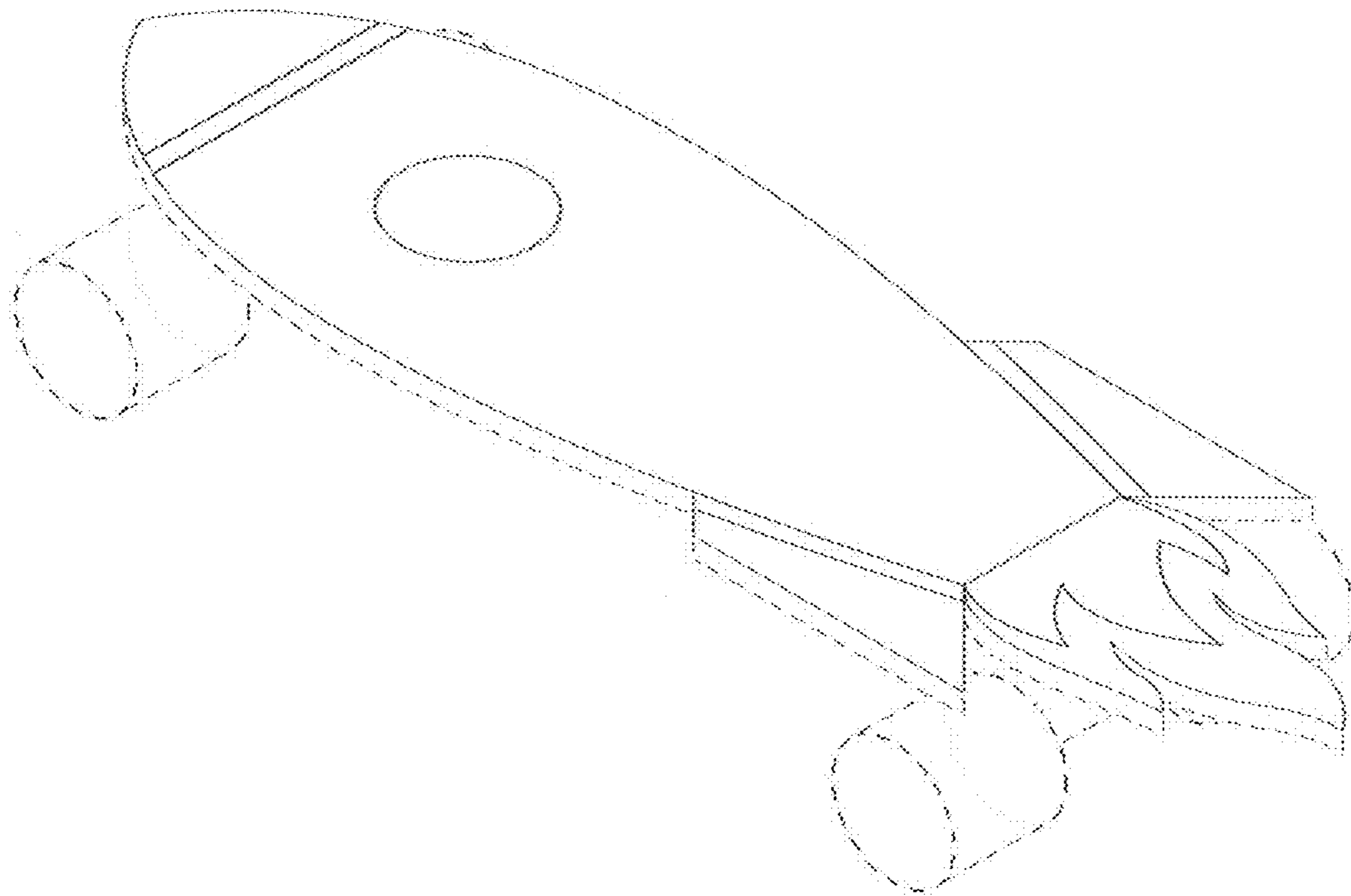
**1 Claim, 3 Drawing Sheets**



1.1



1.2



1.3

