



US00D905809S

(12) **United States Design Patent** (10) **Patent No.:** **US D905,809 S**
Daughtridge (45) **Date of Patent:** **** Dec. 22, 2020**

(54) **ELECTRIC SKATEBOARD DECK**
(71) Applicant: **Bustin Boards LLC**, Hagerstown, MD (US)
(72) Inventor: **Ryan Daughtridge**, Hagerstown, MD (US)
(73) Assignee: **Bustin Boards LLC**, Hagerstown, MD (US)

(**) Term: **15 Years**
(21) Appl. No.: **29/704,530**
(22) Filed: **Sep. 5, 2019**

(51) **LOC (12) Cl.** **21-02**
(52) **U.S. Cl.**
USPC **D21/765**
(58) **Field of Classification Search**
USPC D21/419, 421, 423, 426, 662, 760, 765, D21/766, 769, 771, 776
CPC A63C 17/01; A63C 17/011; A63C 17/012; A63C 17/014; A63C 17/015; A63C 17/02; A63C 17/26; A63C 5/003; B60Q 1/326; B62K 3/001
See application file for complete search history.

(56) **References Cited**

U.S. PATENT DOCUMENTS

1,147,566 A * 7/1915 Taylor B62K 3/002 280/87.041
3,876,217 A * 4/1975 Copier B62K 3/10 280/11.225
4,681,333 A * 7/1987 Rouge A63C 17/006 280/11.28
4,943,072 A * 7/1990 Henig A63C 17/045 280/11.215
4,991,861 A * 2/1991 Carn B62B 15/001 280/11.208

5,893,425 A 4/1999 Finkle
6,398,237 B1 * 6/2002 Attey A63C 17/01 280/87.042
7,172,205 B1 * 2/2007 Vujtech A63C 17/004 280/87.021
D679,768 S * 4/2013 Dye D21/765
D705,371 S * 5/2014 Slater D21/765
D751,160 S 3/2016 Tian et al.
D761,927 S * 7/2016 Belcher D21/765
D797,227 S 9/2017 Treadway et al.
D802,693 S 11/2017 Lu
D829,289 S 9/2018 Shi
10,226,683 B2 * 3/2019 Chen A63C 17/0033
10,384,556 B1 * 8/2019 Miyata B62J 99/00
D882,008 S * 4/2020 Kumada D21/765
D886,220 S * 6/2020 Rautianen D21/765
D887,511 S * 6/2020 Fu D21/765
2003/0141689 A1 * 7/2003 Hamy B62M 1/00 280/87.042

(Continued)

Primary Examiner — Cynthia M. Chin
(74) *Attorney, Agent, or Firm* — W&C IP

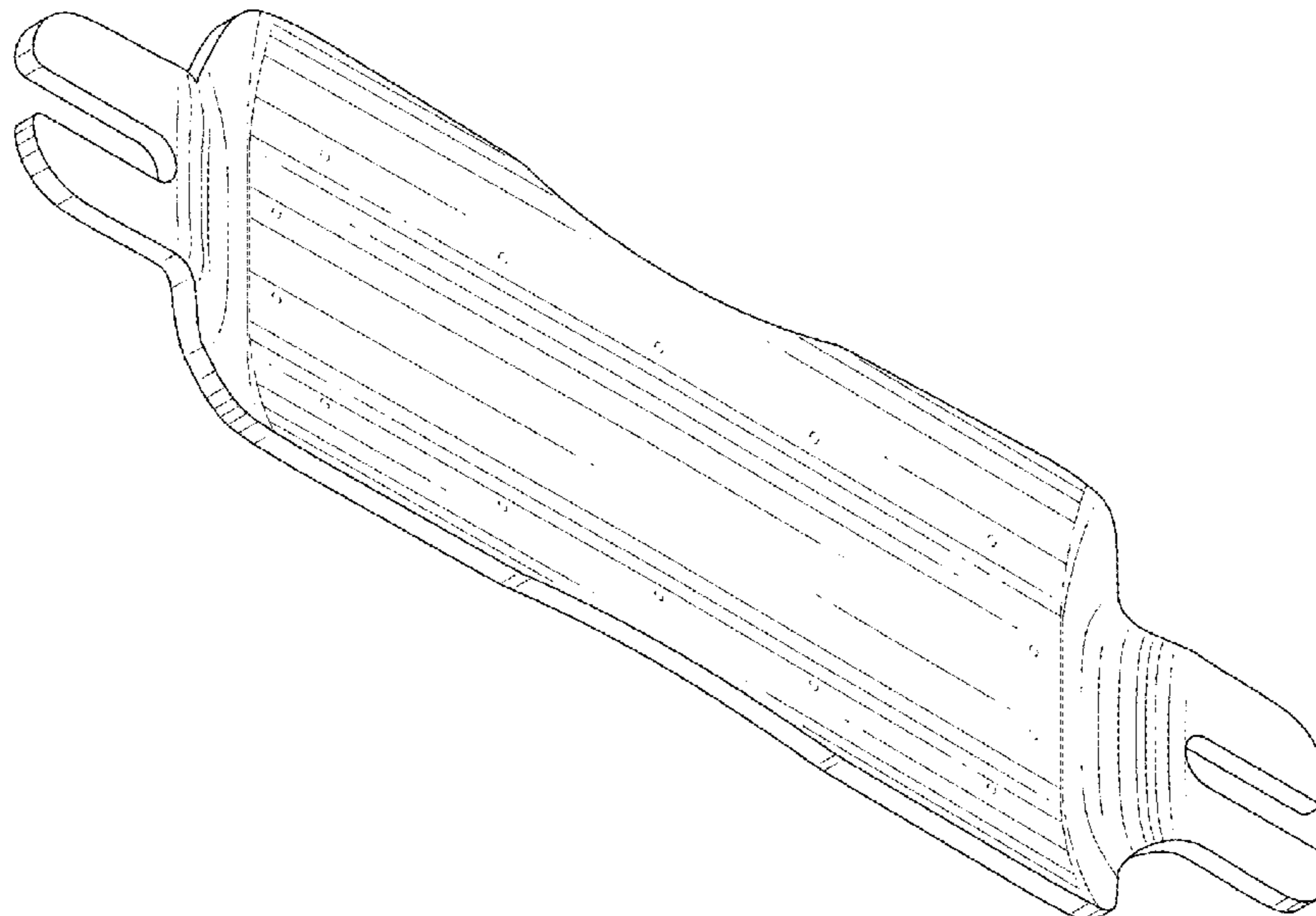
(57) **CLAIM**

The ornamental design for an electric skateboard deck, as shown and described.

DESCRIPTION

FIG. 1 is a top perspective view of an electric skateboard deck;
FIG. 2 is a bottom perspective view thereof
FIG. 3 is a front elevational view thereof;
FIG. 4 is a rear elevational view thereof;
FIG. 5 is a left side elevational view thereof;
FIG. 6 is a right side elevational view thereof;
FIG. 7 is a top plan view thereof; and,
FIG. 8 is a bottom plan view thereof.
The broken line showing is for the purpose of illustrating portions of the electric skateboard deck which form no part of the claimed design.

1 Claim, 6 Drawing Sheets



(56)

References Cited

U.S. PATENT DOCUMENTS

2016/0107070 A1* 4/2016 Middleton A63C 17/012
280/87.042
2018/0207511 A1* 7/2018 Kumada A63C 17/223

* cited by examiner

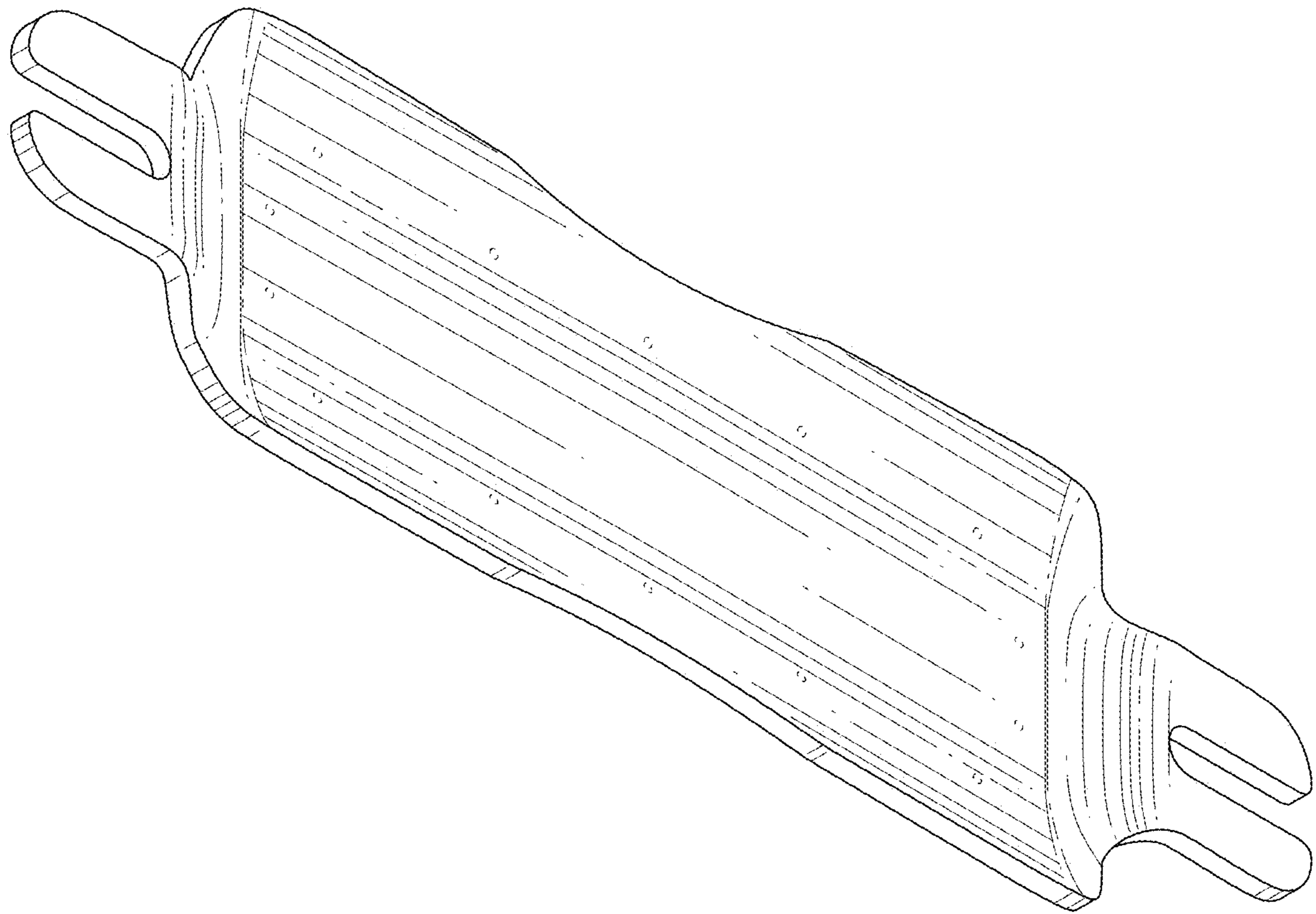


Figure 1

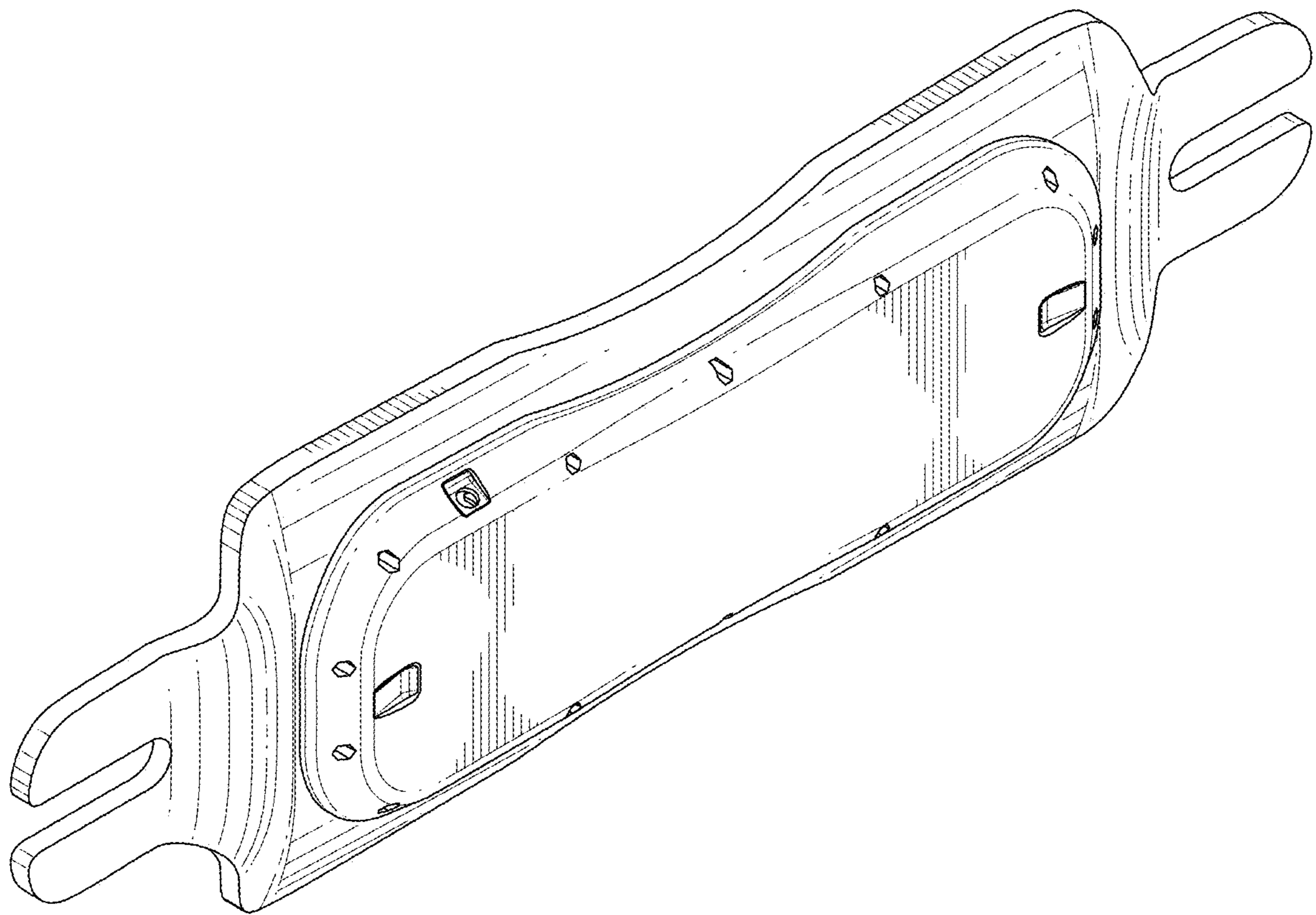


Figure 2

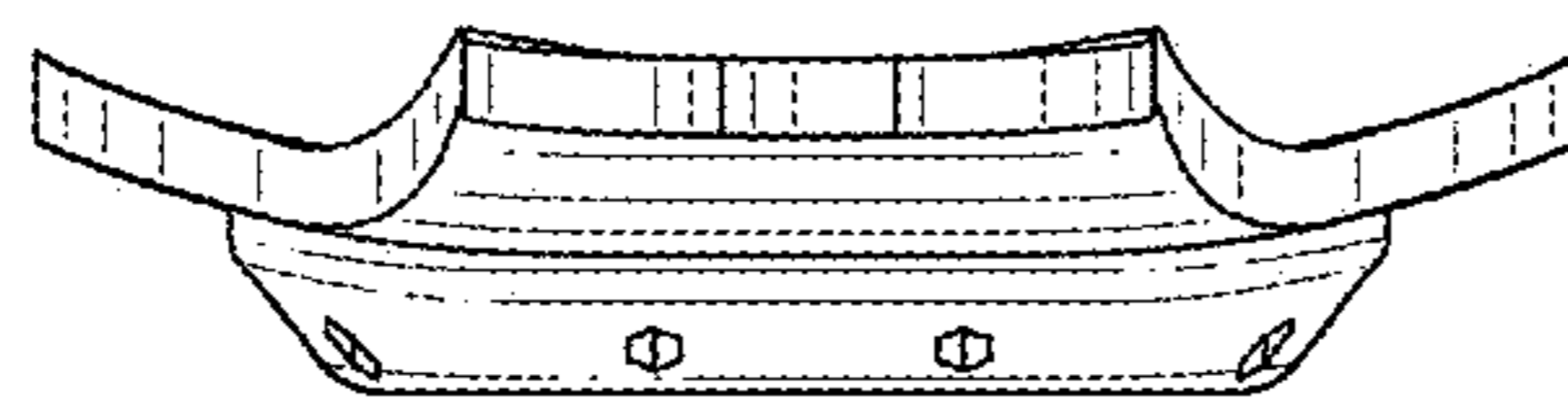


Figure 3

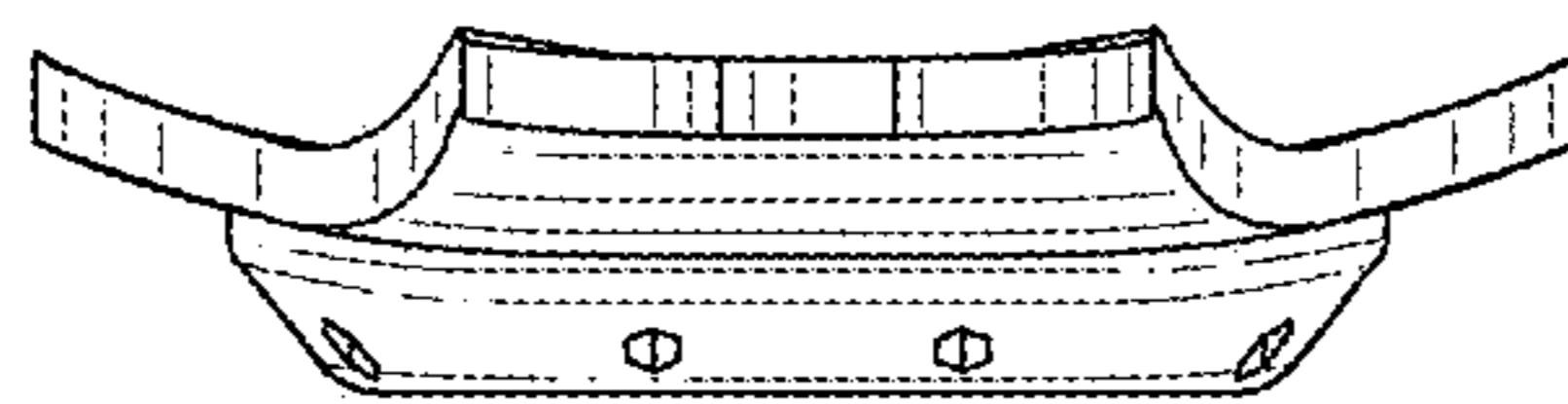


Figure 4

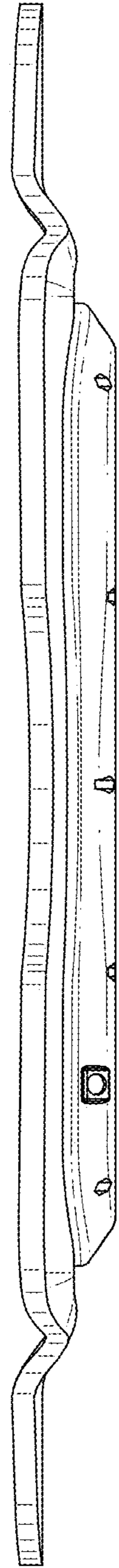


Figure 5

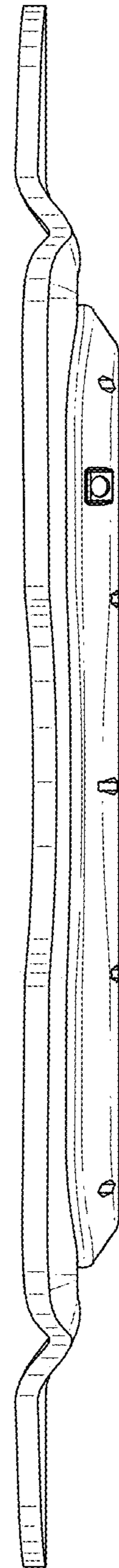


Figure 6

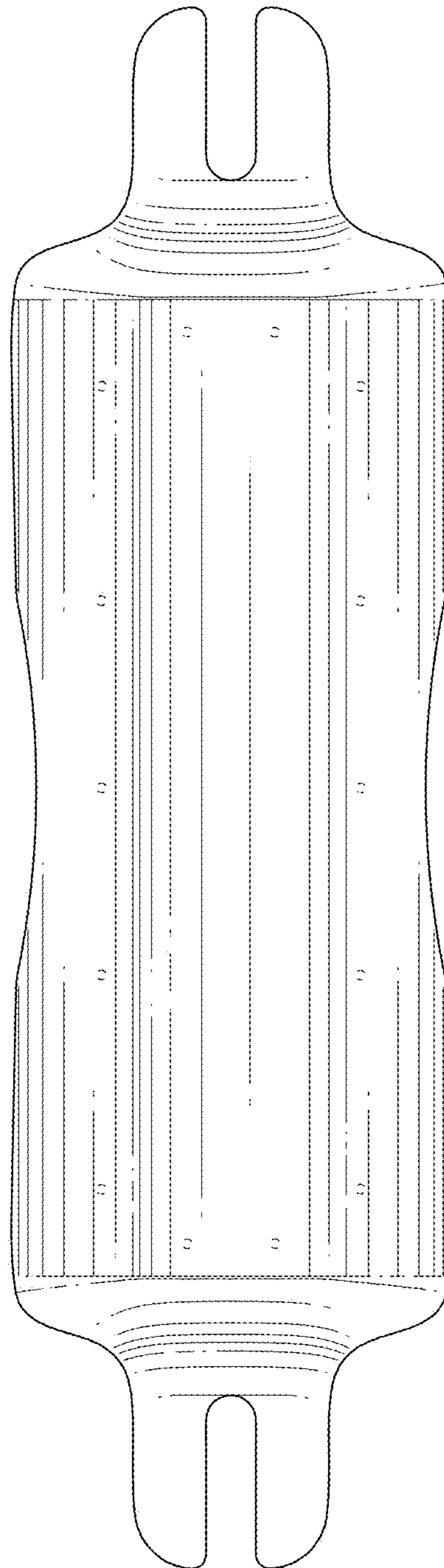


Figure 7

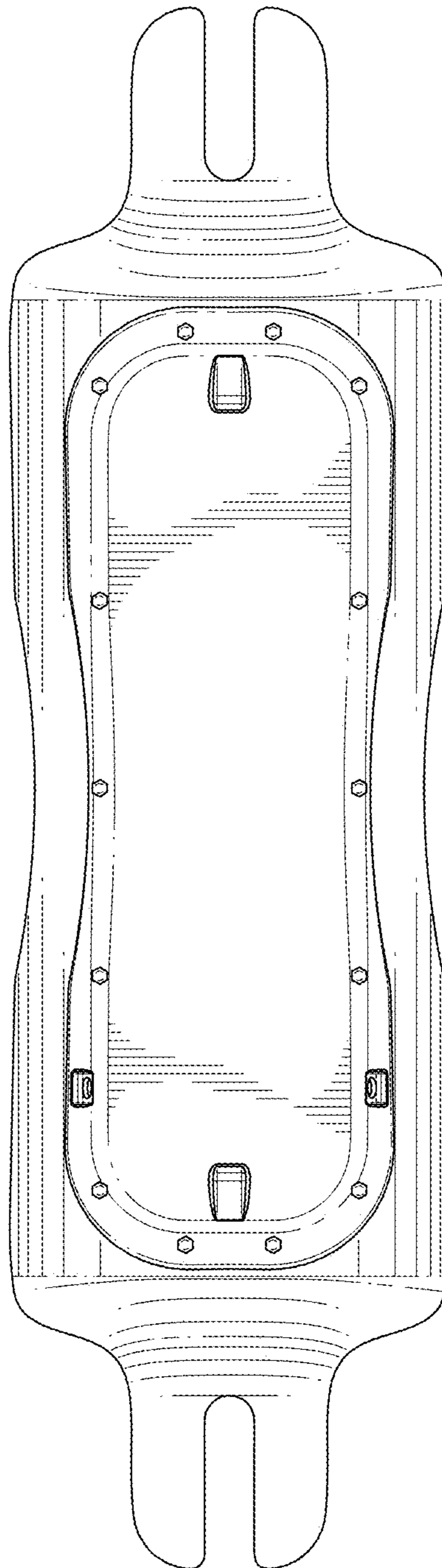


Figure 8