



US00D905808S

(12) **United States Design Patent** (10) **Patent No.:** **US D905,808 S**
Sargent et al. (45) **Date of Patent:** **** Dec. 22, 2020**

(54) **GOLF CLUB HEAD**

CPC A63B 53/00; A63B 53/04; A63B 53/0466;
A63B 2053/002; A63B 2053/0445; A63B
2053/0433; A63B 2053/0491; A63B
2053/0437

(71) Applicant: **Taylor Made Golf Company, Inc.**,
Carlsbad, CA (US)

See application file for complete search history.

(72) Inventors: **Nathan T. Sargent**, Oceanside, CA
(US); **Joseph Reeve Nielson**, Vista, CA
(US); **Christopher John Harbert**,
Carlsbad, CA (US); **Todd P. Beach**,
Encinitas, CA (US); **Brian Bazzel**,
Carlsbad, CA (US); **Mark Vincent
Greaney**, Vista, CA (US); **Christian
Reber Wester**, San Diego, CA (US);
Craig Richard Slyfield, San Diego, CA
(US)

(56) **References Cited**

U.S. PATENT DOCUMENTS

D557,363 S * 12/2007 Jertson D21/752
D558,287 S * 12/2007 Jertson D21/752

(Continued)

FOREIGN PATENT DOCUMENTS

JP 3109501 U 3/2005
JP 2006-320493 A 11/2006

Primary Examiner — Mitchell I. Siegel

(73) Assignee: **Taylor Made Golf Company, Inc.**,
Carlsbad, CA (US)

(74) *Attorney, Agent, or Firm* — Klarquist Sparkman LLP

(**) Term: **15 Years**

(57) **CLAIM**

(21) Appl. No.: **29/678,363**

We claim the ornamental design for a golf club head, as
shown and described.

(22) Filed: **Jan. 28, 2019**

DESCRIPTION

Related U.S. Application Data

(63) Continuation of application No. 29/623,313, filed on
Oct. 24, 2017, now Pat. No. Des. 845,413, which is a
continuation of application No. 29/570,556, filed on
Jul. 8, 2016, now Pat. No. Des. 802,692, which is a
continuation of application No. 29/543,709, filed on
Oct. 27, 2015, now Pat. No. Des. 782,590, which is a
continuation of application No. 29/534,382, filed on
Jul. 28, 2015, now Pat. No. Des. 770,584.

FIG. 1 is a perspective view of a golf club head, as viewed
from the bottom and one side, according to one embodiment.
FIG. 2 is a front elevation view of the golf club head of FIG.
1.
FIG. 3 is a rear elevation view of the golf club head of FIG.
1.
FIG. 4 is a side elevation view of a toe side of the golf club
head of FIG. 1.
FIG. 5 is a side elevation view of an opposite heel side of the
golf club head of FIG. 1.
FIG. 6 is a top plan view of the golf club head of FIG. 1; and,
FIG. 7 is a bottom plan view of the golf club head of FIG.
1.

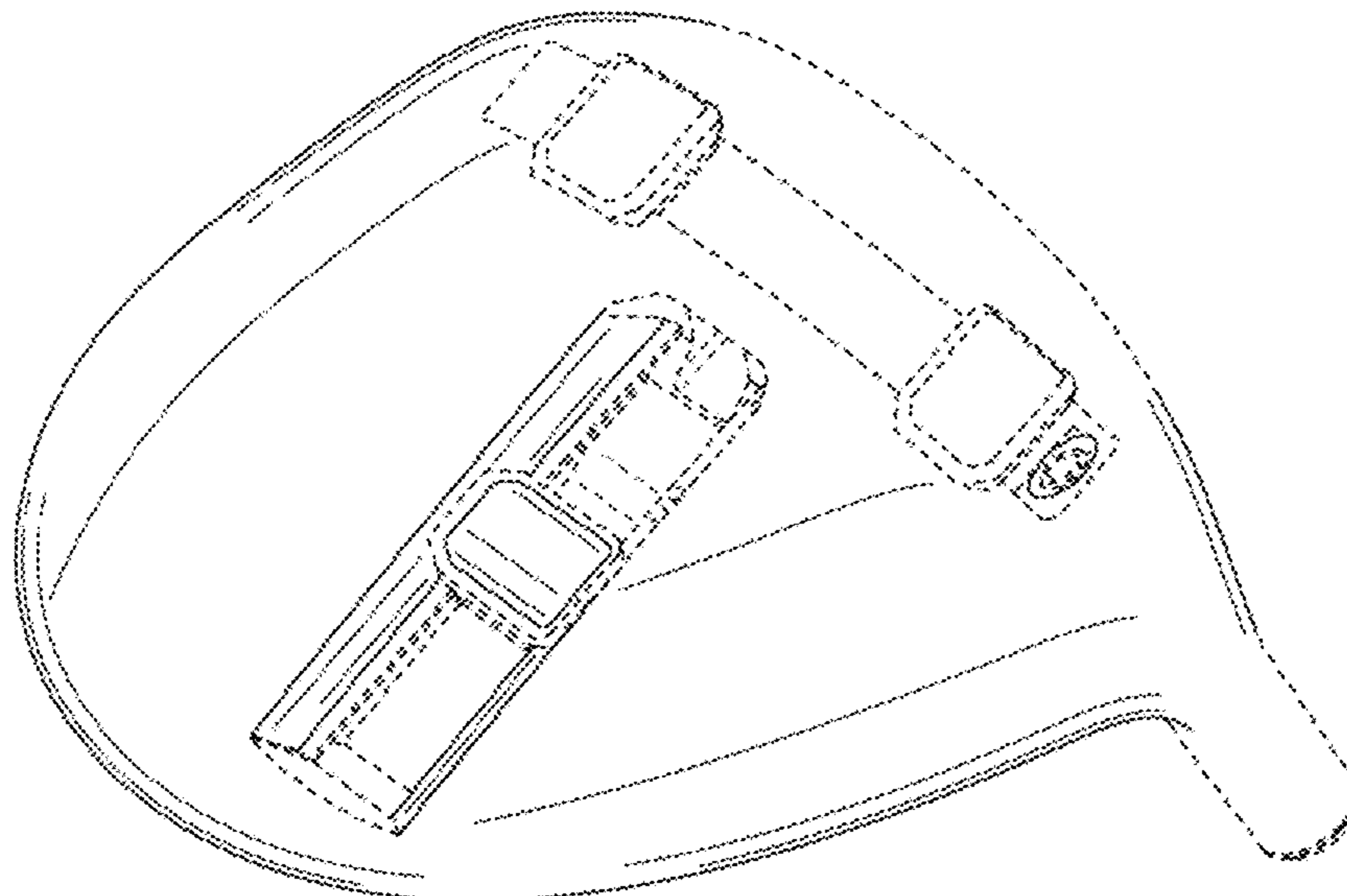
(51) **LOC (12) Cl.** **21-02**

(52) **U.S. Cl.**
USPC **D21/752**

The dashed lines in the drawings are for purposes of
illustrating environmental structure as well as portions of the
design that form no part of the present claimed design.

(58) **Field of Classification Search**
USPC D21/733, 752, 759

1 Claim, 5 Drawing Sheets



(56)

References Cited

U.S. PATENT DOCUMENTS

D558,288 S *	12/2007	Jertson	D21/752	D714,896 S	10/2014	Turner et al.	
D579,064 S *	10/2008	Beach	D21/752	8,888,607 B2 *	11/2014	Harbert	A63B 53/04 473/307
D617,403 S *	6/2010	Llewellyn	D21/752	D724,165 S	3/2015	Cardani et al.	
D618,746 S *	6/2010	Jertson	D21/752	8,986,133 B2	3/2015	Bennett et al.	
D618,747 S *	6/2010	Schweigert	D21/752	9,089,747 B2	7/2015	Boyd et al.	
D628,257 S	11/2010	Albertsen		9,089,749 B2	7/2015	Burnett et al.	
D630,278 S	1/2011	Albertsen		9,168,428 B2 *	10/2015	Albertsen	A63B 53/0466
D630,696 S	1/2011	Albertsen		9,220,953 B2 *	12/2015	Beach	A63B 53/04
D631,119 S	1/2011	Albertsen		D767,694 S	9/2016	Nielson et al.	
D655,363 S	3/2012	Vrska		D770,584 S *	11/2016	Sargent	D21/759
8,235,844 B2	8/2012	Albertsen et al.		D774,152 S *	12/2016	Beach	D21/752
D675,272 S	1/2013	Greensmith et al.		D782,590 S *	3/2017	Sargent	D21/759
D686,679 S	7/2013	Greensmith et al.		D783,105 S *	4/2017	Oyler	D21/752
D692,077 S	10/2013	Greensmith et al.		D802,692 S *	11/2017	Sargent	D21/759
D697,152 S	1/2014	Harbert et al.		D845,413 S *	4/2019	Sargent	D21/752
D708,280 S	7/2014	Sargent et al.		2007/0049417 A1	3/2007	Shear	
D709,571 S	7/2014	Sargent et al.		2014/0080622 A1	3/2014	Sargent et al.	
D709,572 S *	7/2014	Sargent	D21/759	2014/0080628 A1	3/2014	Sargent et al.	
8,821,312 B2	9/2014	Burnett et al.		2014/0080629 A1 *	3/2014	Sargent	A63B 53/0466 473/336
8,827,831 B2	9/2014	Burnett et al.		2016/0001146 A1	1/2016	Sargent et al.	
D714,891 S *	10/2014	Greensmith	D21/752	2016/0059093 A1 *	3/2016	Nielson	A63B 53/06 473/338
D714,892 S	10/2014	Atwell					

* cited by examiner

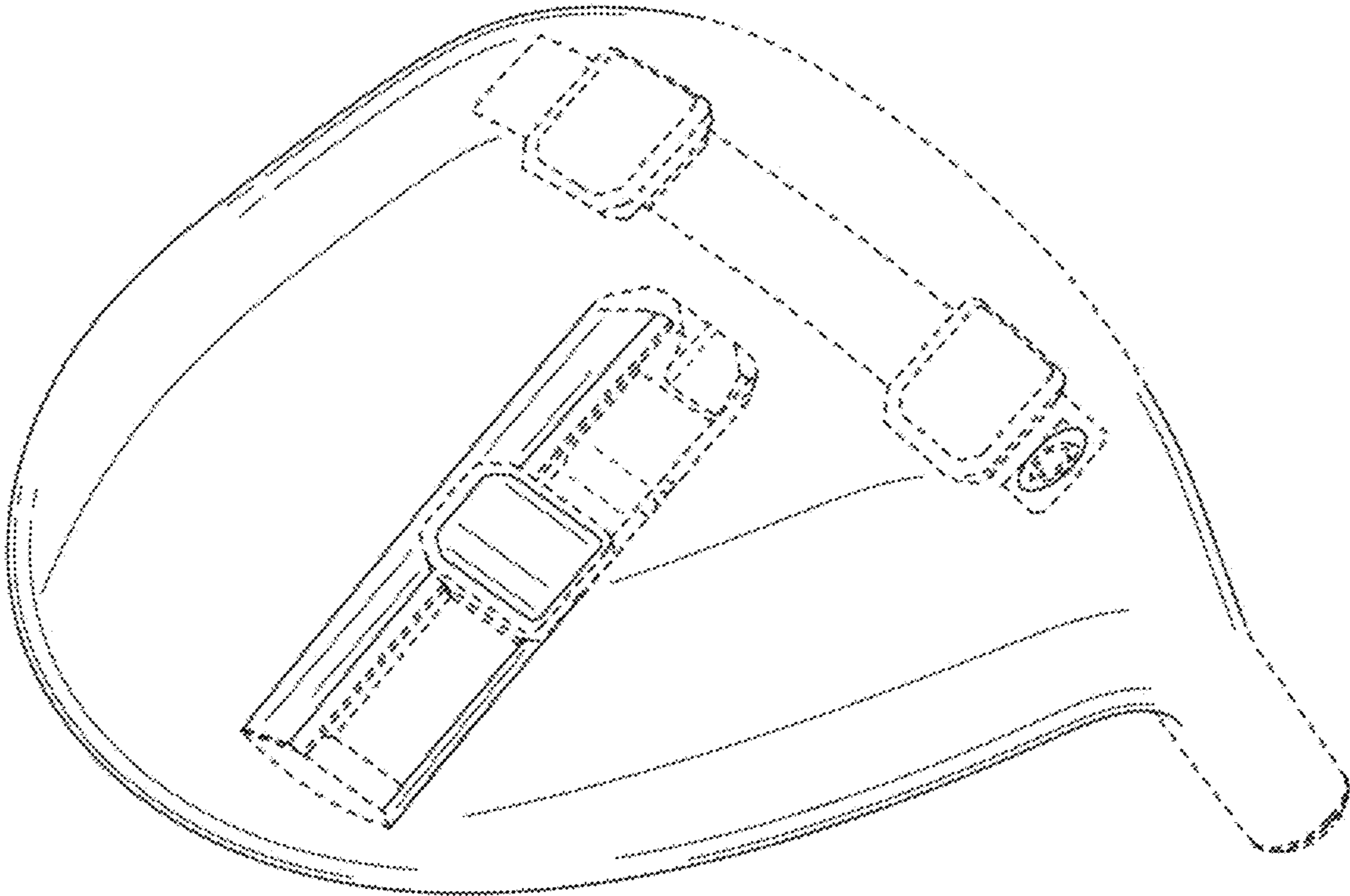


FIG. 1

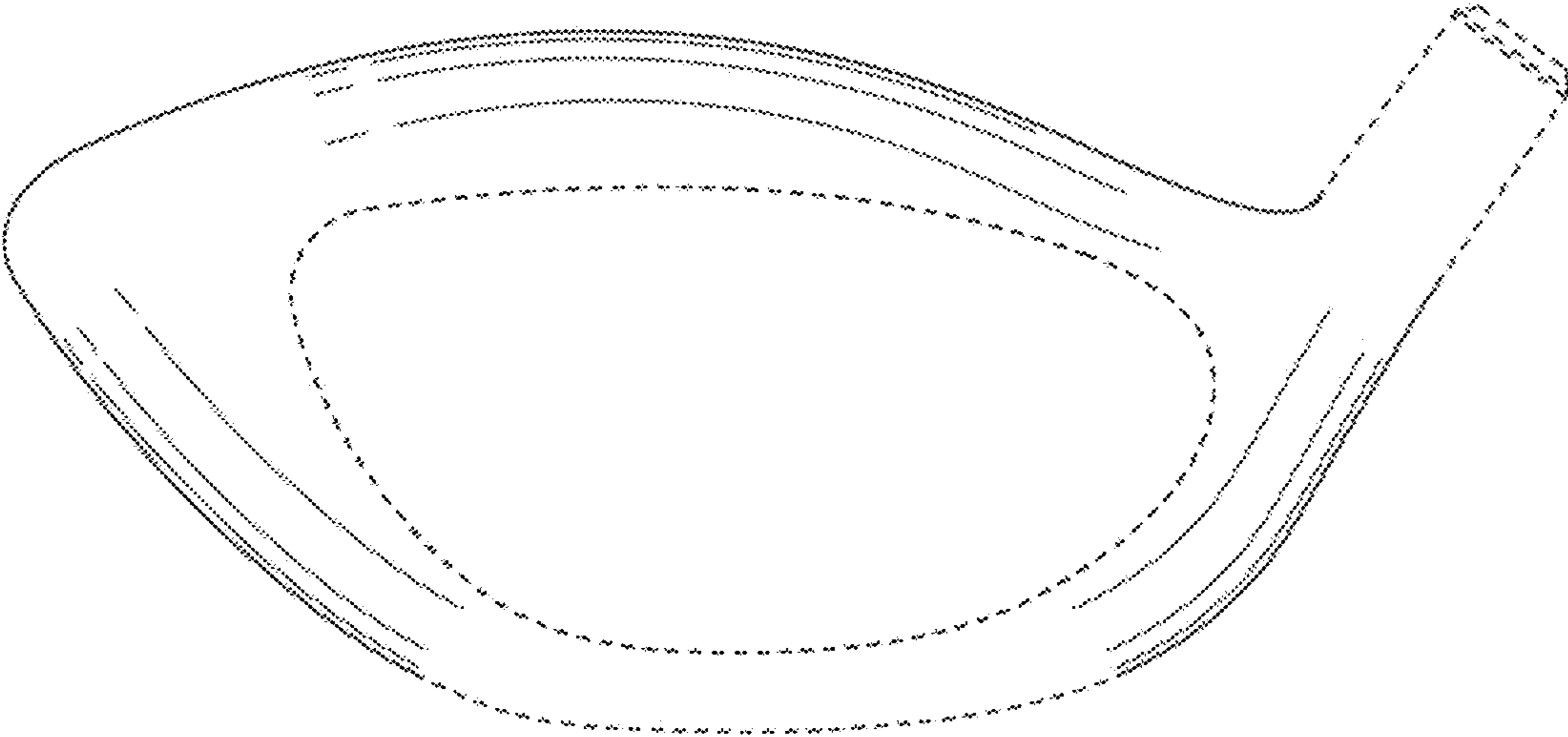


FIG. 2

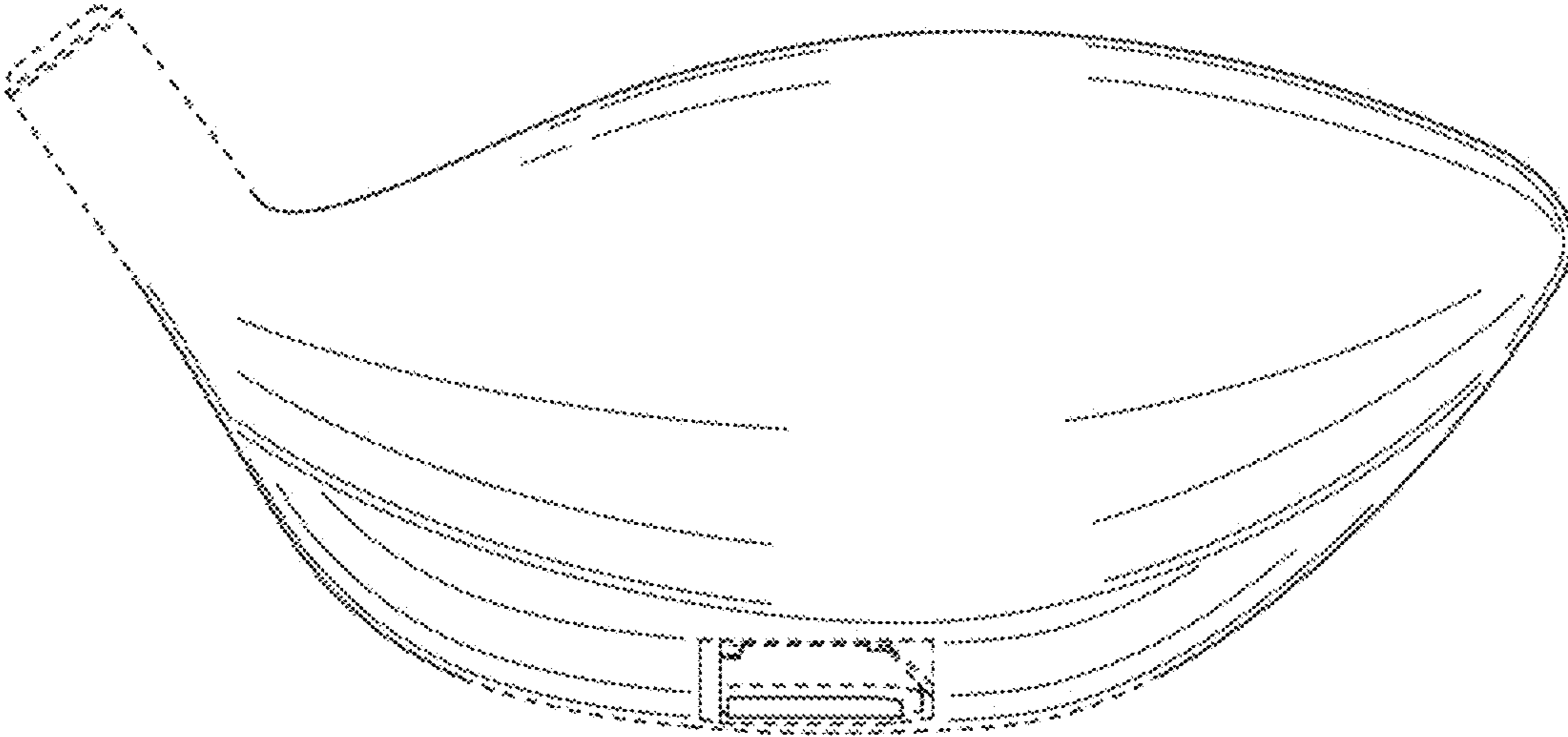


FIG. 3

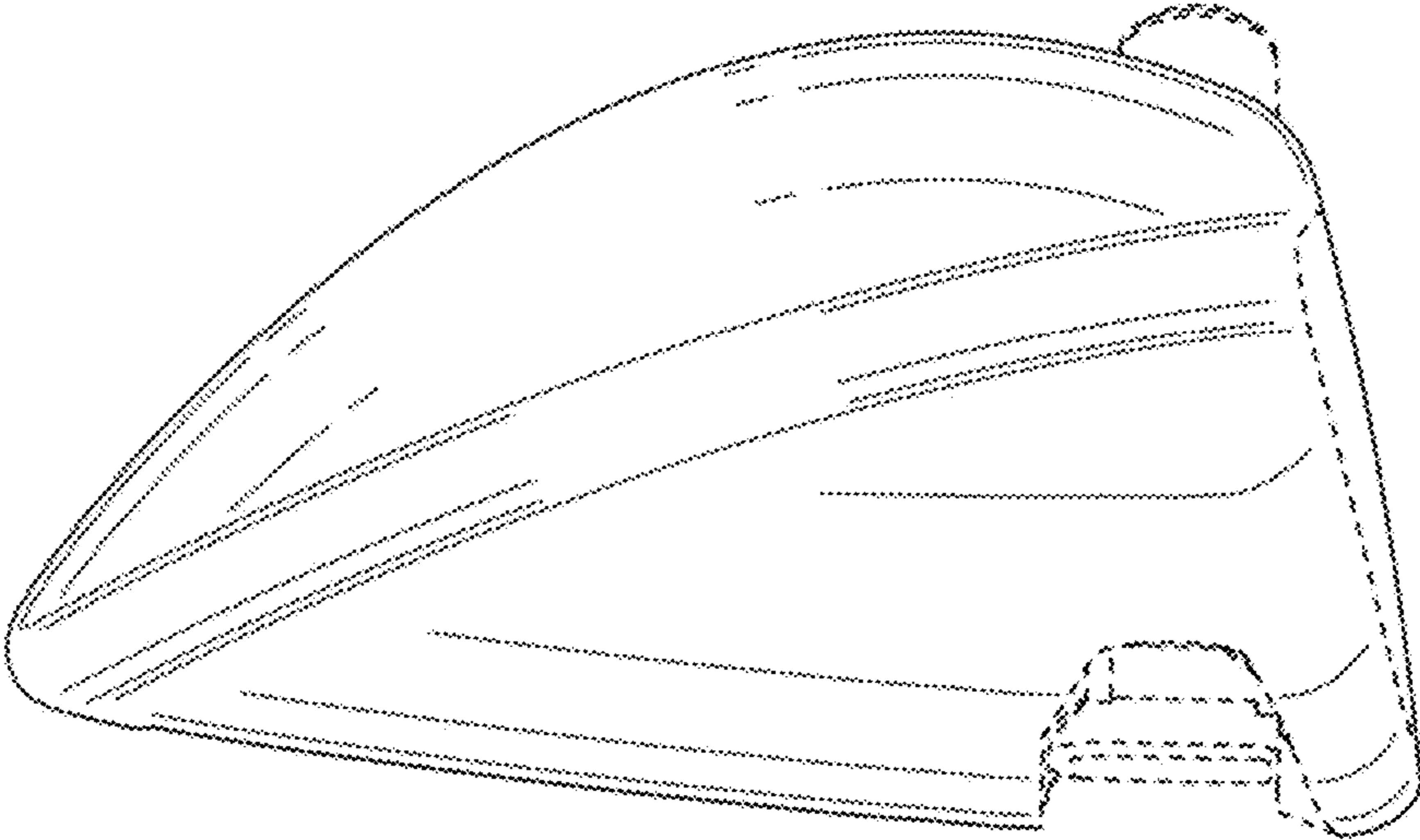


FIG. 4

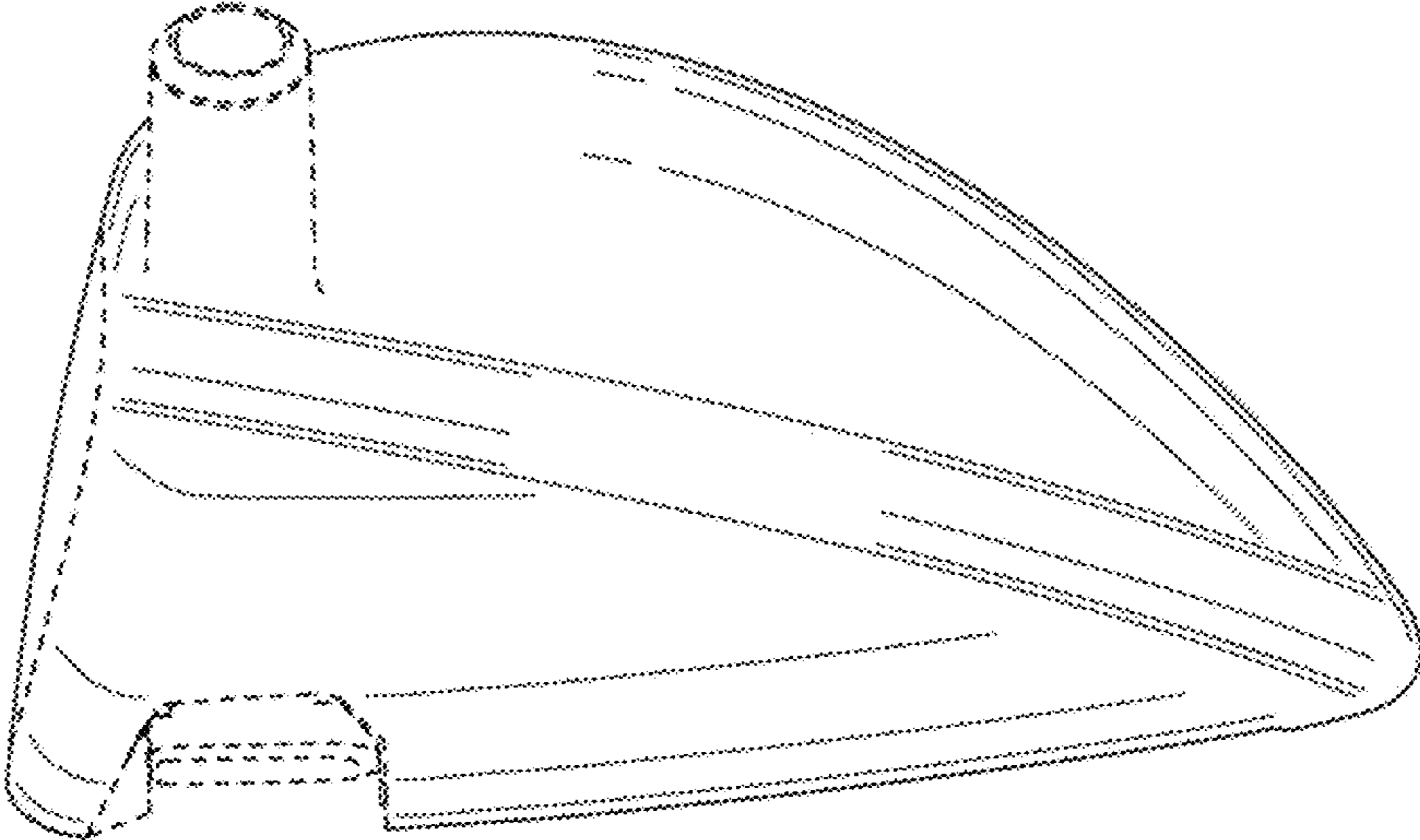


FIG. 5

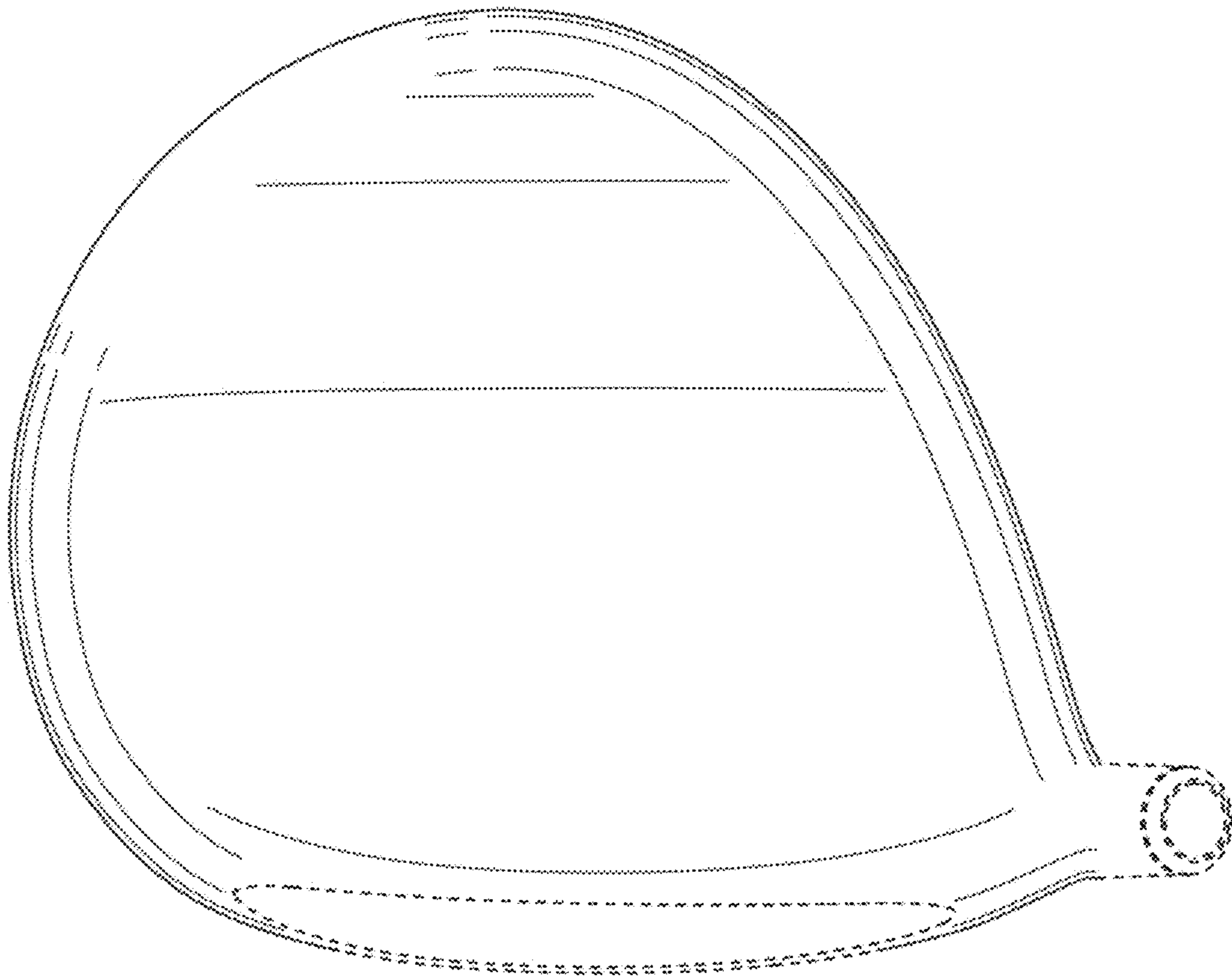


FIG. 6

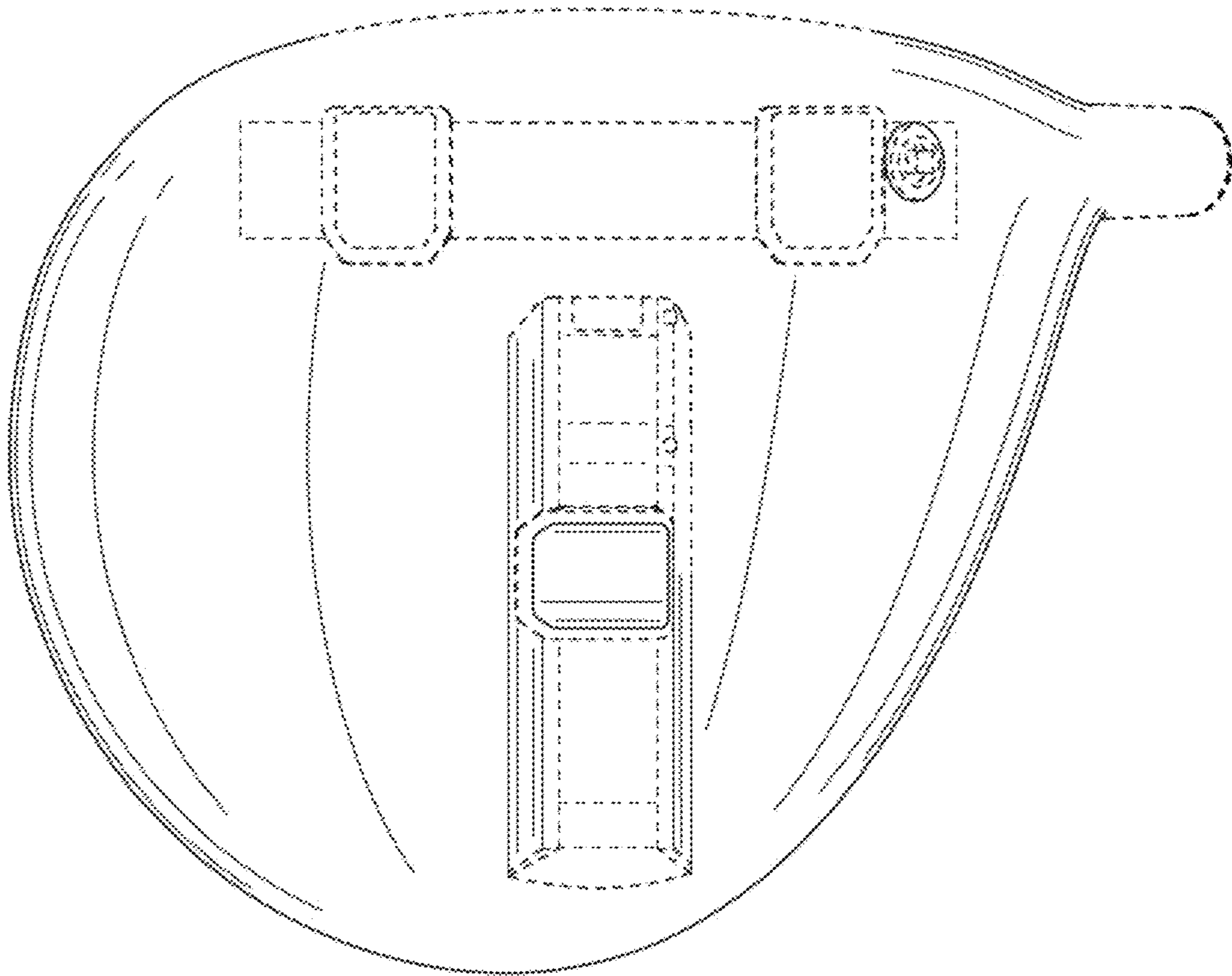


FIG. 7