



US00D905806S

(12) **United States Design Patent**
Tabone

(10) **Patent No.:** **US D905,806 S**

(45) **Date of Patent:** **** Dec. 22, 2020**

(54) **WEIGHT LIFTING ATTACHMENT DEVICE**

(71) Applicant: **Paul Tabone**, Henderson, NV (US)

(72) Inventor: **Paul Tabone**, Henderson, NV (US)

(**) Term: **15 Years**

(21) Appl. No.: **29/736,798**

(22) Filed: **Jun. 3, 2020**

5,490,825 A	2/1996	Wilkinson	
5,674,164 A *	10/1997	Kravitz	A63B 21/0004 482/121
5,690,596 A *	11/1997	Parker	A63B 21/0004 482/121
D395,687 S *	6/1998	Marney	D21/682
D396,510 S *	7/1998	Marney	D21/684
D404,094 S *	1/1999	Ho	74/551.1
D416,959 S	11/1999	Tumminia	
D425,151 S	5/2000	Landfair	
6,293,893 B1	9/2001	Truchelut	
D482,172 S *	11/2003	Johnson	D34/27
D518,534 S	4/2006	Giordano	

(Continued)

Related U.S. Application Data

(63) Continuation of application No. 16/594,606, filed on Oct. 7, 2019.

(51) **LOC (12) Cl.** **21-02**

(52) **U.S. Cl.**
USPC **D21/694**

(58) **Field of Classification Search**
USPC D21/673-677, 679, 682, 684, 694;
483/139, 93, 98, 38, 39, 108, 40, 148,
483/904; D8/45, 316
CPC . A63B 21/4035; A63B 21/4047; A63B 23/16;
A63B 23/12; A63B 21/0004; A63B
23/03533; A63B 21/0557; A63B 23/1245;
A63B 23/1254; A63B 23/1209
See application file for complete search history.

(56) **References Cited**

U.S. PATENT DOCUMENTS

2,529,347 A *	11/1950	Ross, Jr.	A63B 21/0004 482/126
D262,730 S *	1/1982	Lambert, Jr.	D21/694
D262,814 S	1/1982	Lambert, Jr. et al.	
4,822,035 A	4/1989	Jennings et al.	
4,861,022 A *	8/1989	Boatcallie	A63B 21/0004 482/126
D305,256 S *	12/1989	Pearson	D21/682
D317,032 S	5/1991	Eckler	
5,076,578 A *	12/1991	Askonen	A63B 23/12 482/139

OTHER PUBLICATIONS

Back Widow by Rogue dated Jan. 4, 2020. Found online [Sep. 4, 2020] https://www.roguefitness.com/back-window.*

(Continued)

Primary Examiner — Ryan Harvey

(74) *Attorney, Agent, or Firm* — The Belles Group, P.C.

(57) **CLAIM**

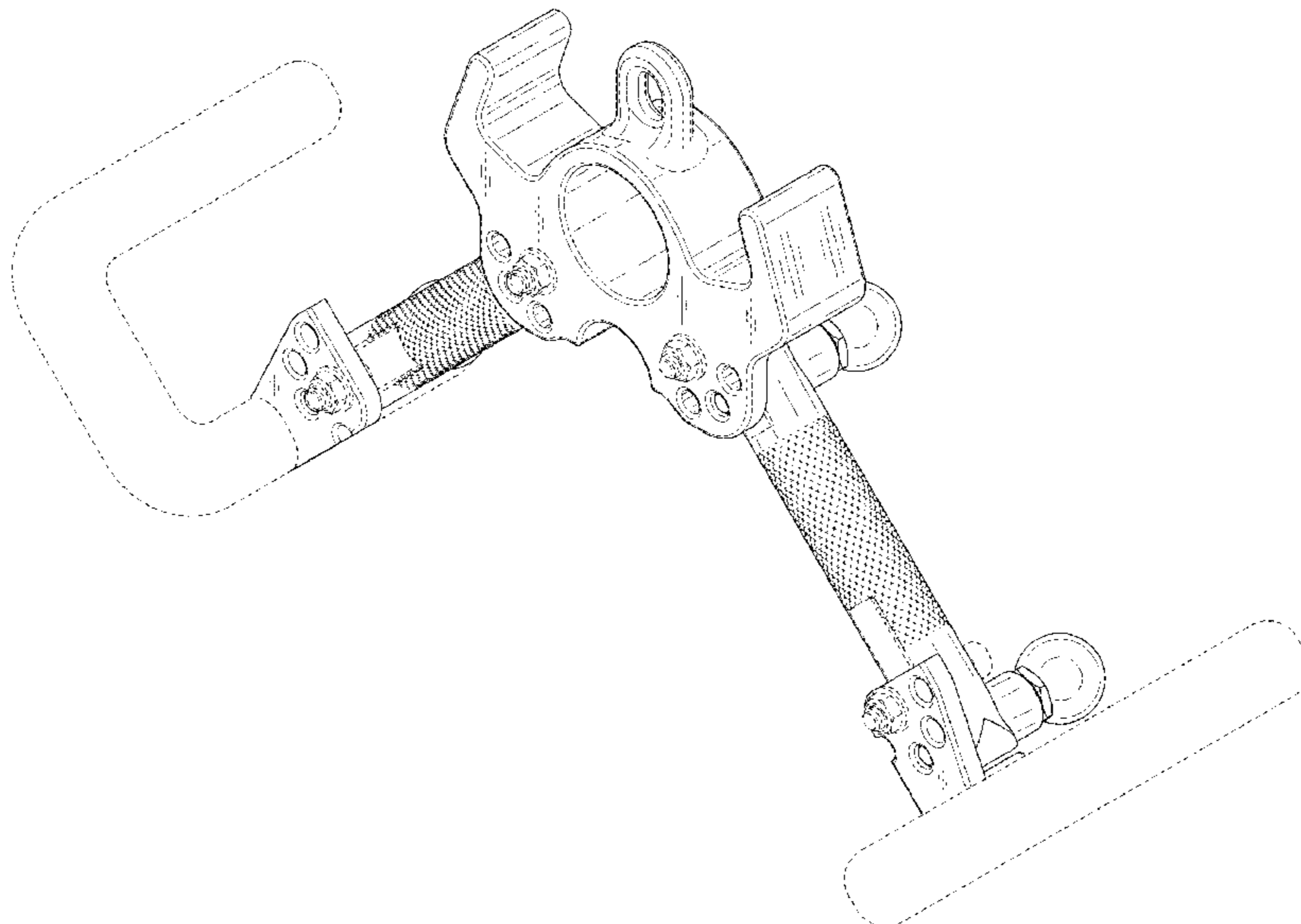
The ornamental design for a weight lifting attachment device, as shown and described.

DESCRIPTION

FIG. 1 is a front perspective view of a weight lifting attachment device according to my new design;
FIG. 2 is a rear perspective view thereof;
FIG. 3 is a front view thereof;
FIG. 4 is a rear view thereof;
FIG. 5 is a left side view thereof;
FIG. 6 is a right side view thereof;
FIG. 7 is a top view thereof; and,
FIG. 8 is a bottom view thereof.

The broken lines illustrate portions of the weight lifting attachment device that form no part of the claimed design.

1 Claim, 8 Drawing Sheets



(56)

References Cited

U.S. PATENT DOCUMENTS

7,056,268 B2 6/2006 Emick
 D563,491 S * 3/2008 Kaplan D21/692
 7,553,259 B2 6/2009 Landfair
 7,828,704 B1 * 11/2010 Hsieh A63B 23/12
 482/126
 7,963,891 B1 * 6/2011 Zeaman A63B 21/4035
 482/104
 D655,355 S * 3/2012 Hsu D21/679
 8,979,721 B2 3/2015 Cavaliere
 9,211,430 B1 * 12/2015 Higginbotham, III
 A63B 23/0355
 D753,246 S 4/2016 Kaye et al.
 D755,911 S 5/2016 Fuglsby
 9,421,413 B2 * 8/2016 Staten A63B 21/4035
 9,713,733 B2 * 7/2017 Dennis A63B 21/045
 D812,160 S * 3/2018 Dennis A63B 23/1209
 D21/692
 D823,405 S 7/2018 Roepke
 D827,734 S 9/2018 Exley
 D829,265 S * 9/2018 Kiernan-Lewis D16/243
 D842,675 S * 3/2019 Raymond D8/303
 D843,506 S 3/2019 Campanaro et al.
 D843,517 S * 3/2019 Anderson D21/688
 D844,513 S * 4/2019 Izaz D12/178
 D855,128 S * 7/2019 Adams D21/694
 D864,317 S * 10/2019 Higginbotham, III D21/673
 10,426,994 B1 * 10/2019 Campanaro A63B 21/068
 D874,585 S * 2/2020 Pellegrino D21/694
 D890,271 S * 7/2020 Carmichael D21/686
 D890,274 S * 7/2020 Sergakis D21/694
 D890,867 S * 7/2020 Carmichael D21/686
 D892,239 S * 8/2020 Carmichael D21/694

D892,240 S * 8/2020 Sergakis D21/694
 2006/0211552 A1 * 9/2006 Williams A63B 21/4017
 482/139
 2006/0276314 A1 12/2006 Wilson et al.

OTHER PUBLICATIONS

Rogue Fitness website, https://www.roguefitness.com/landmines?prod_id=1763&gclid=Cj0KCQjwuNbsBRC-ARIsAAzITue4df8WDjYUOJ0k8rFJM_nZqZHFvb8dWMAQUIK67FOSm8Pb8sCdA1AaAo8zEALw_wcB; retrieved Oct. 7, 2019, pp. 1-7.
 Titan Fitness website, https://www.titan.fitness/strength/strength-accessories/landmines/neutral-grip-viking-press-handle-%7C-v2-welded-end-cap/400304.html?utm_source=google&utm_medium=cpc&adpos=lol&scid=scplp400304&sc_intid=400304&gclid=Cj0KCQjwuNbsBRC-ARIsAAzITue4df8WDjYUOJ0k8rFJM_nZqZHFvb8dWMAQUIK67FOSm8Pb8sCdA1AaAo8zEALw_wcB, retrieved Oct. 7, 2019, pp. 1-3.
 Rogue Fitness website, <https://www.roguefitness.com/rogue-tricep-pushdown-attachment>, retrieved Oct. 7, 2019, pp. 1-4.
 Rogue Fitness website, https://www.roguefitness.com/spud-inc-lat-saw-kits?prod_id=75109&gclid=Cj0KCQjwuNbsBRC-ARIsAAzITue4df8WDjYUOJ0k8rFJM_nZqZHFvb8dWMAQUIK67FOSm8Pb8sCdA1AaAo8zEALw_wcB, retrieved Oct. 7, 2019, pp. 1-3.
 Pukensvet website, <https://pukensvet.com/product/weight-lifting-equipment/bars-handles-hooks/adjustable-squat-handles/>, retrieved Oct. 7, 2019, pp. 1-4.
 Ebay website, <https://www.ebay.com/itm/Yes4A11-Viking-Press-Attachment-for-2-Inch-Olympic-Barbell-/133306910706>, retrieved Jun. 2, 2020, pp. 1-4.

* cited by examiner

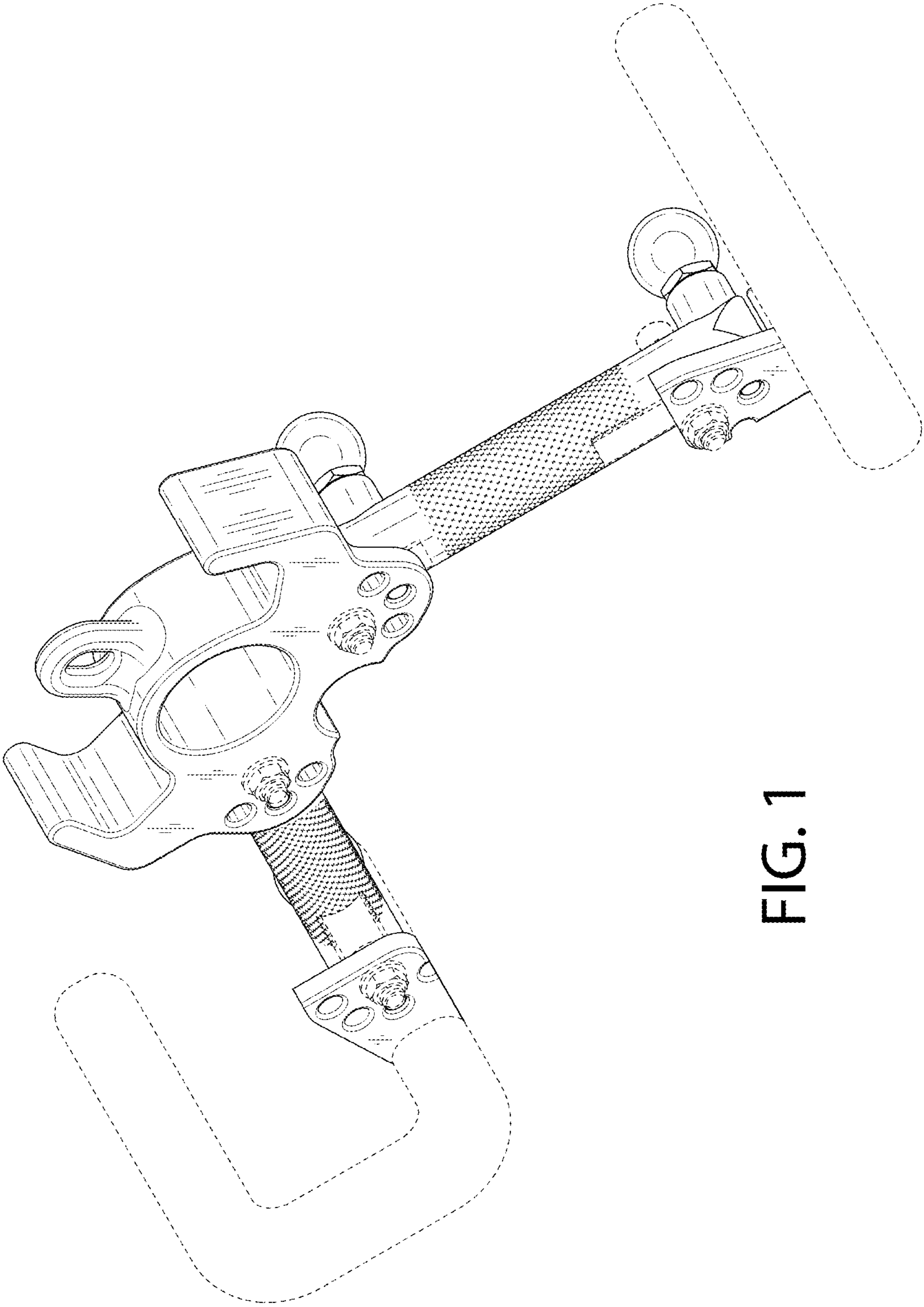


FIG. 1

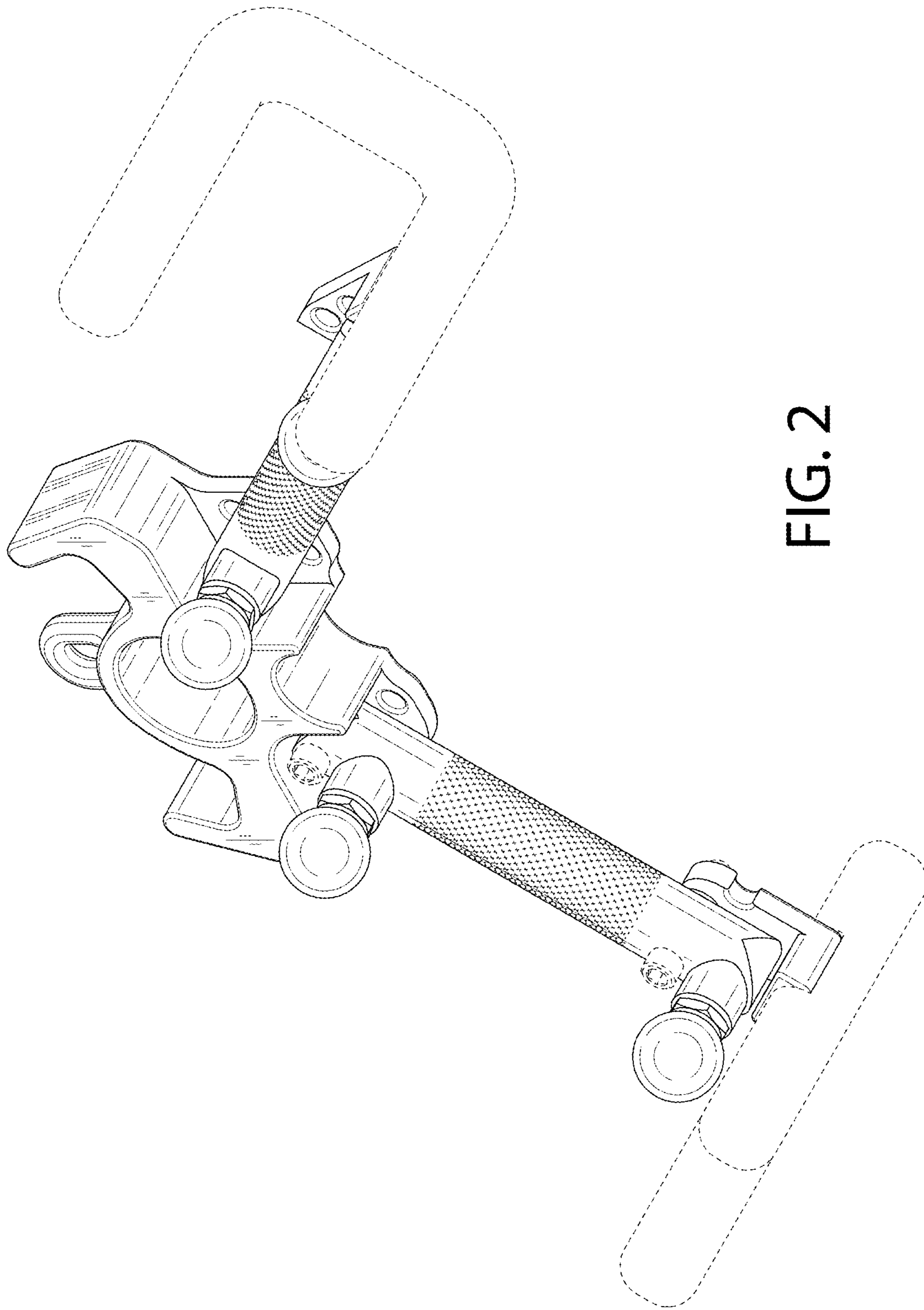


FIG. 2

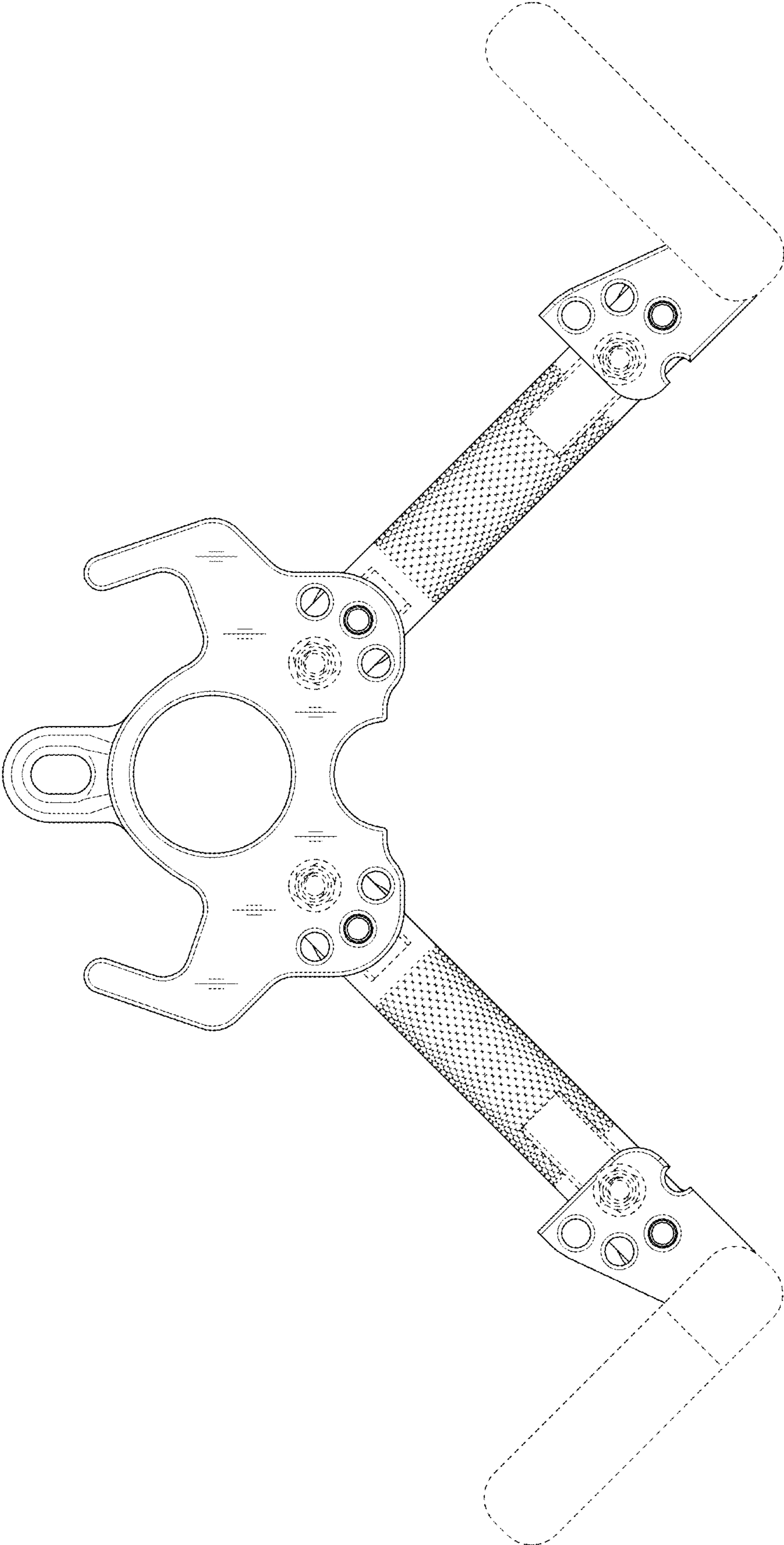


FIG. 3

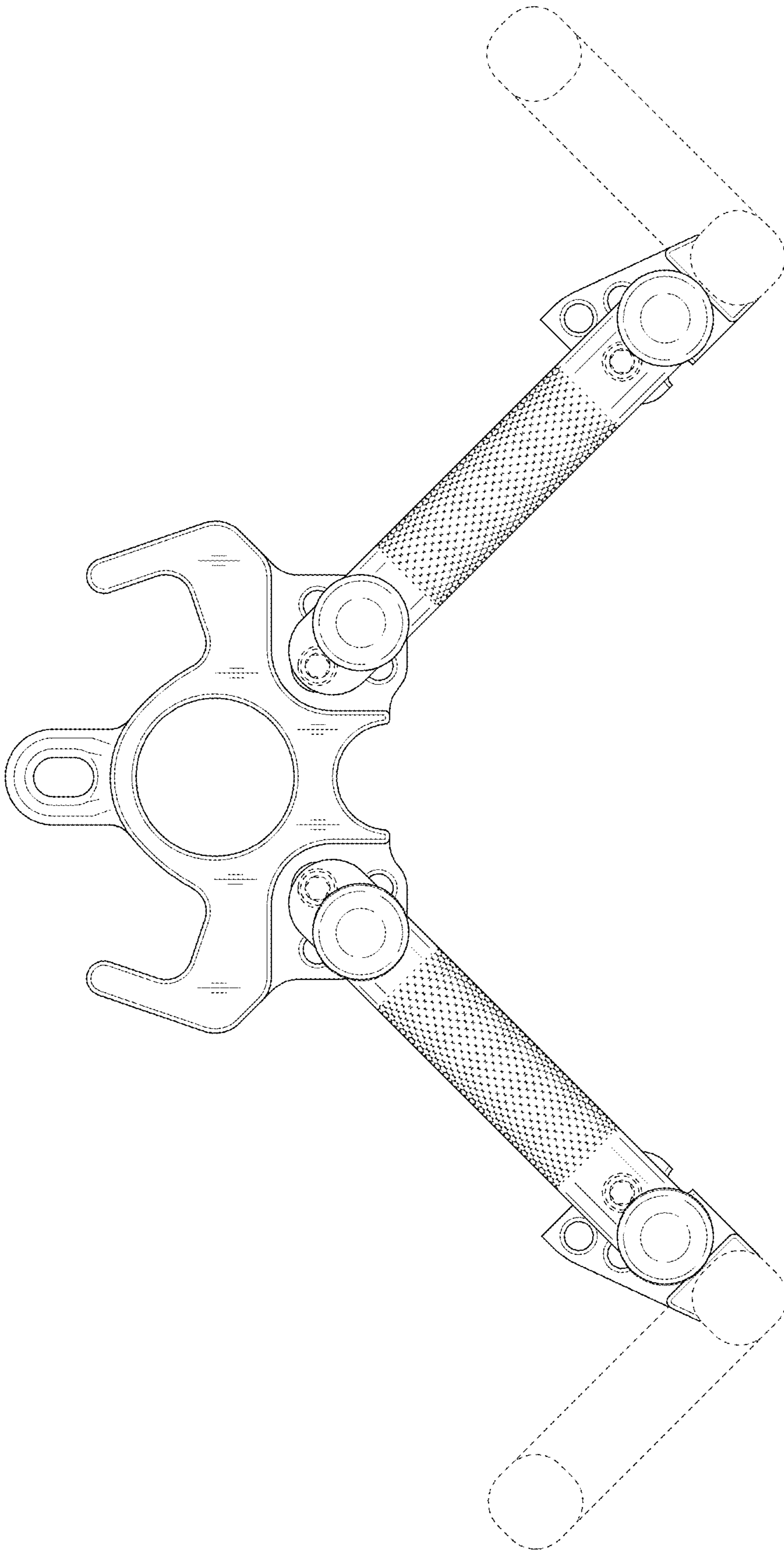


FIG. 4

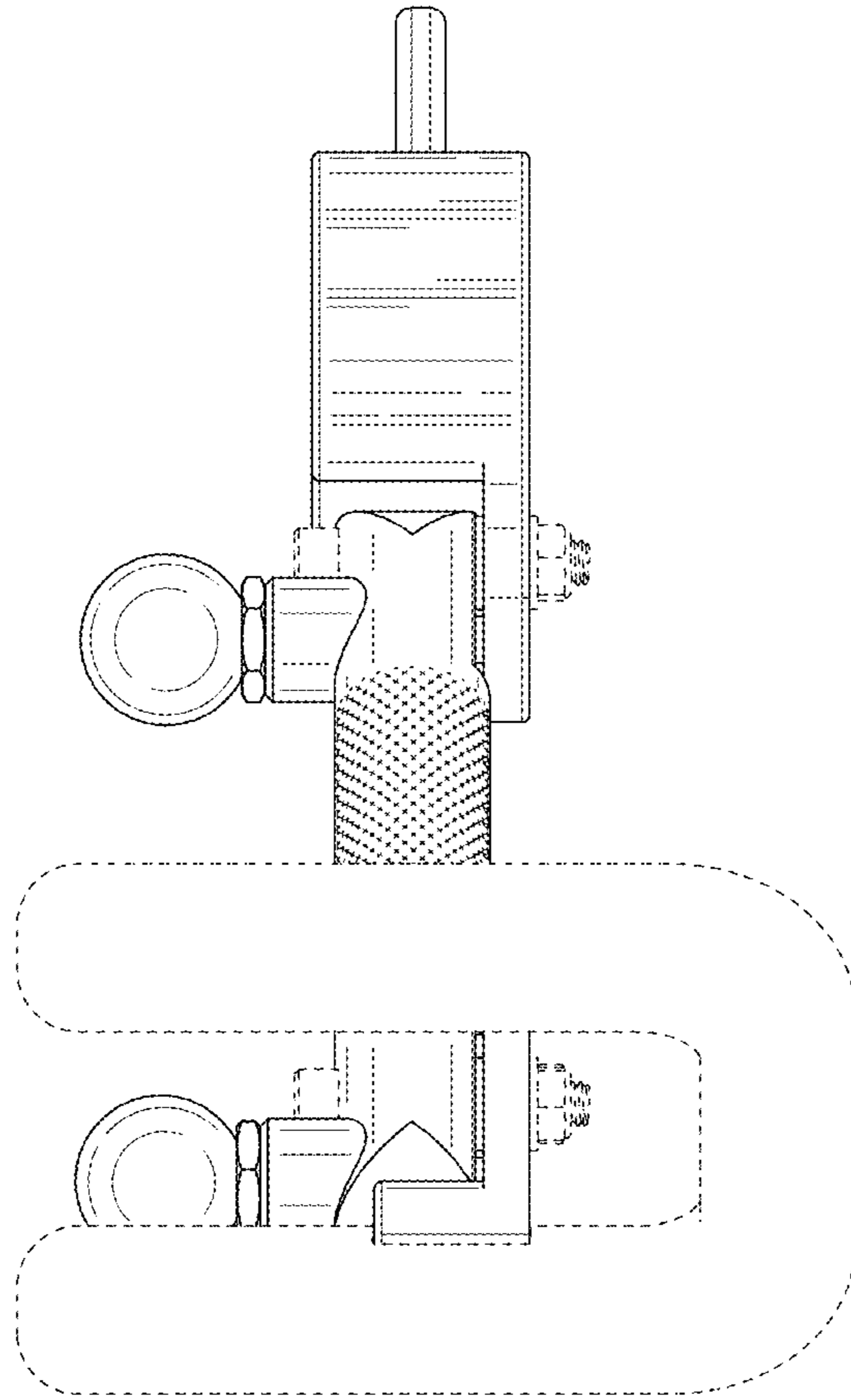


FIG. 5

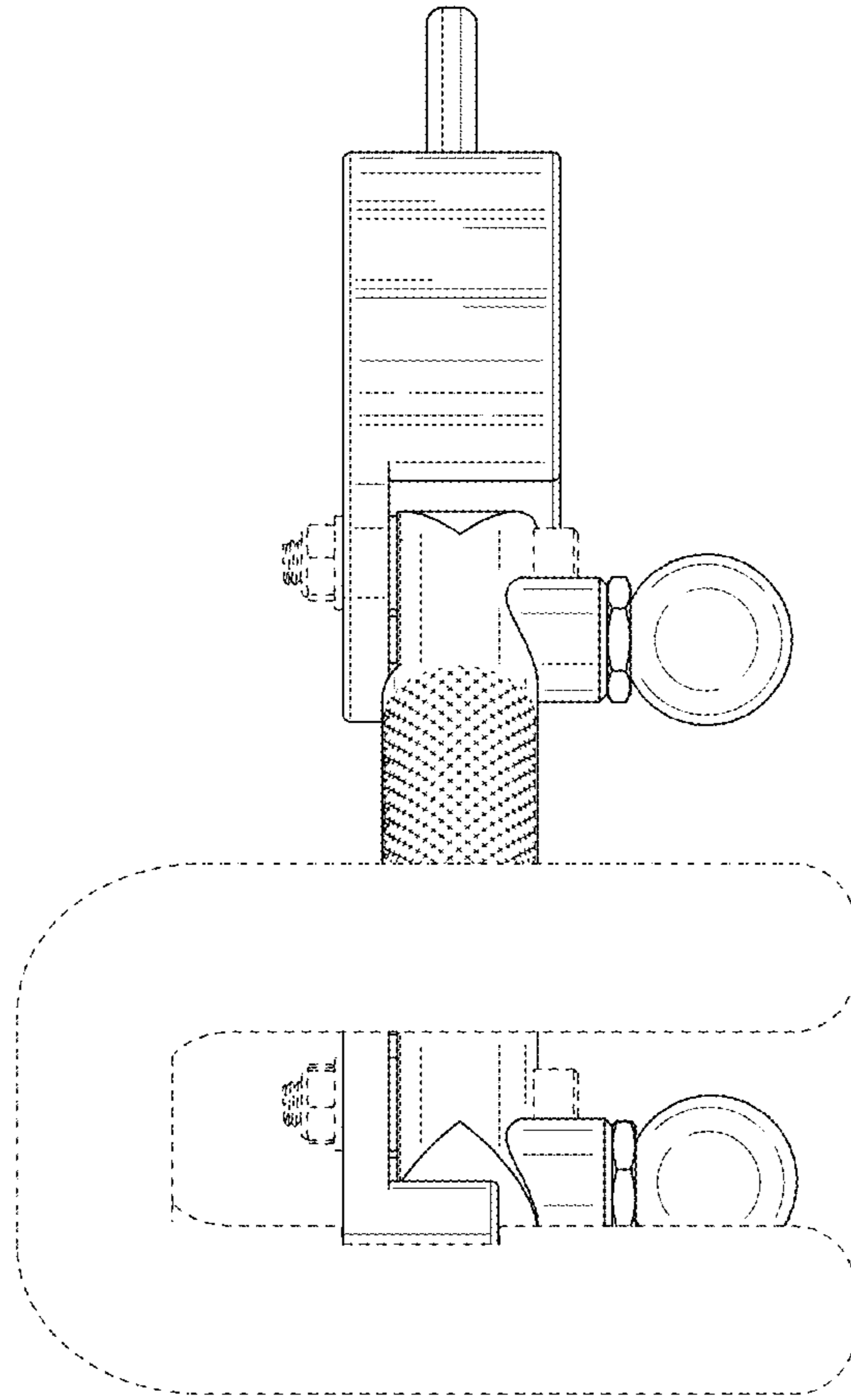


FIG. 6

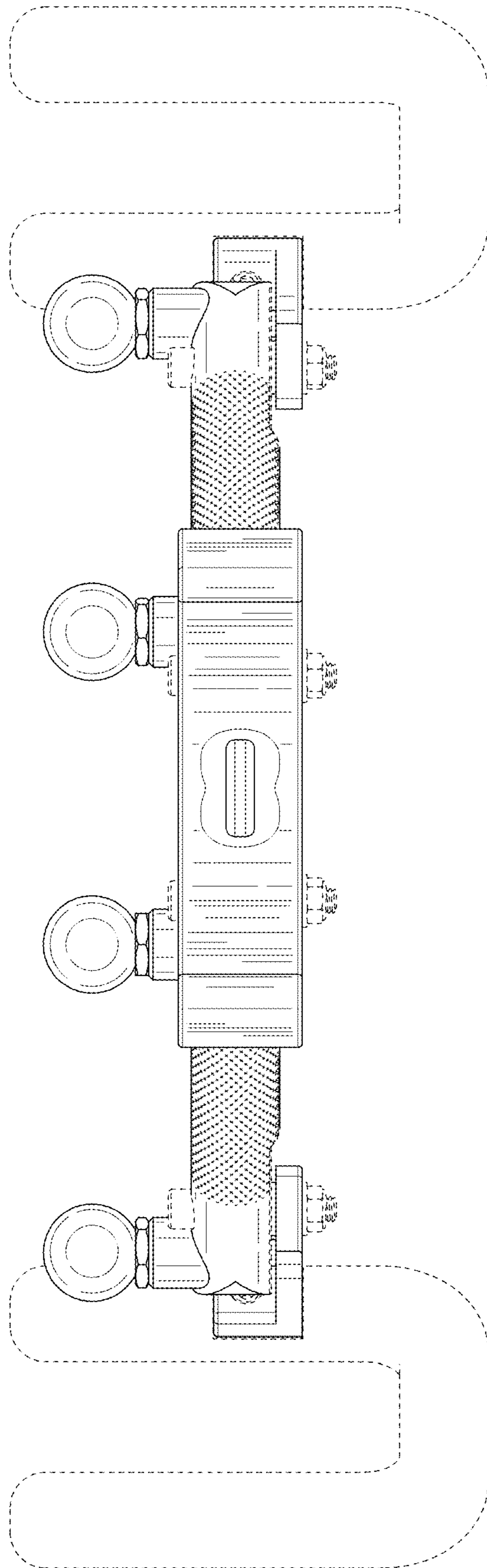


FIG. 7

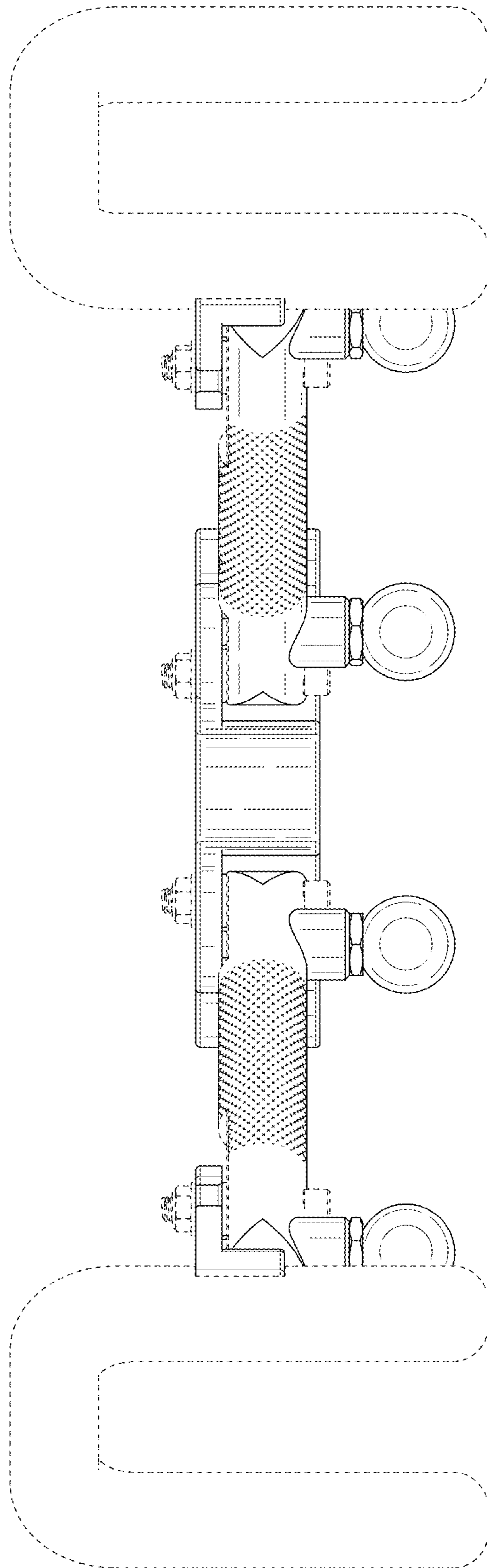


FIG. 8