



US00D905805S

(12) **United States Design Patent**
Muir et al.

(10) **Patent No.:** **US D905,805 S**

(45) **Date of Patent:** **** Dec. 22, 2020**

(54) **WEIGHT LIFTING BAR COLLAR**

(71) Applicant: **Next Distributions, Inc.**, Draper, UT (US)

(72) Inventors: **Patrick Muir**, Draper, UT (US); **Paul Johnson**, Mead, WA (US)

(73) Assignee: **Next Distributions, Inc.**, Draper, UT (US)

(**) Term: **15 Years**

(21) Appl. No.: **29/698,108**

(22) Filed: **Jul. 15, 2019**

(51) **LOC (12) Cl.** **21-02**

(52) **U.S. Cl.**
USPC **D21/694**

(58) **Field of Classification Search**
USPC D8/382; D12/177; D13/155; D21/333;
D23/259, 260, 262, 264-265; D15/5, 6
See application file for complete search history.

(56) **References Cited**

U.S. PATENT DOCUMENTS

2,775,806	A *	1/1957	Love	F16L 23/06 24/271
3,305,234	A	2/1967	Cline et al.	
D280,433	S	9/1985	Lincir	
D287,387	S	12/1986	Oliver	
D414,405	S	9/1999	Tompkins	
5,988,694	A	11/1999	Brushaber	
D437,015	S	1/2001	Rojas	
D438,783	S	3/2001	Elliott	
D464,094	S	10/2002	Fond	
D516,417	S	3/2006	Gimpel et al.	
D518,791	S	4/2006	Kiely	
D536,607	S	2/2007	Bekkevold	
D537,334	S *	2/2007	Lee	D8/396
7,261,263	B2	8/2007	Baker et al.	

D550,075	S	9/2007	Tung	
D577,423	S	9/2008	Dole	
D580,262	S	11/2008	Eason et al.	
D584,604	S *	1/2009	Baldwin	D8/396
7,494,451	B1	2/2009	Ramos	
7,513,856	B2	4/2009	Jones	
D597,635	S *	8/2009	Dole	D23/262
D598,076	S	8/2009	Dole	
7,828,340	B2	11/2010	Heelan, Jr. et al.	
D641,993	S	7/2011	Scott	
8,006,711	B2	8/2011	Pietrzak	
D661,981	S	6/2012	Melino, Sr. et al.	
8,201,852	B2	6/2012	Linhorst et al.	
D672,229	S *	12/2012	Reid	D8/396
8,397,421	B2	3/2013	Ding et al.	
D682,662	S	5/2013	Bailey et al.	

(Continued)

OTHER PUBLICATIONS

Clout Fitness Barbell Collar, Aug. 2018 (Owned by Applicant).

Primary Examiner — Michael C Stout

Assistant Examiner — Melvin L Davis

(74) *Attorney, Agent, or Firm* — Bateman IP

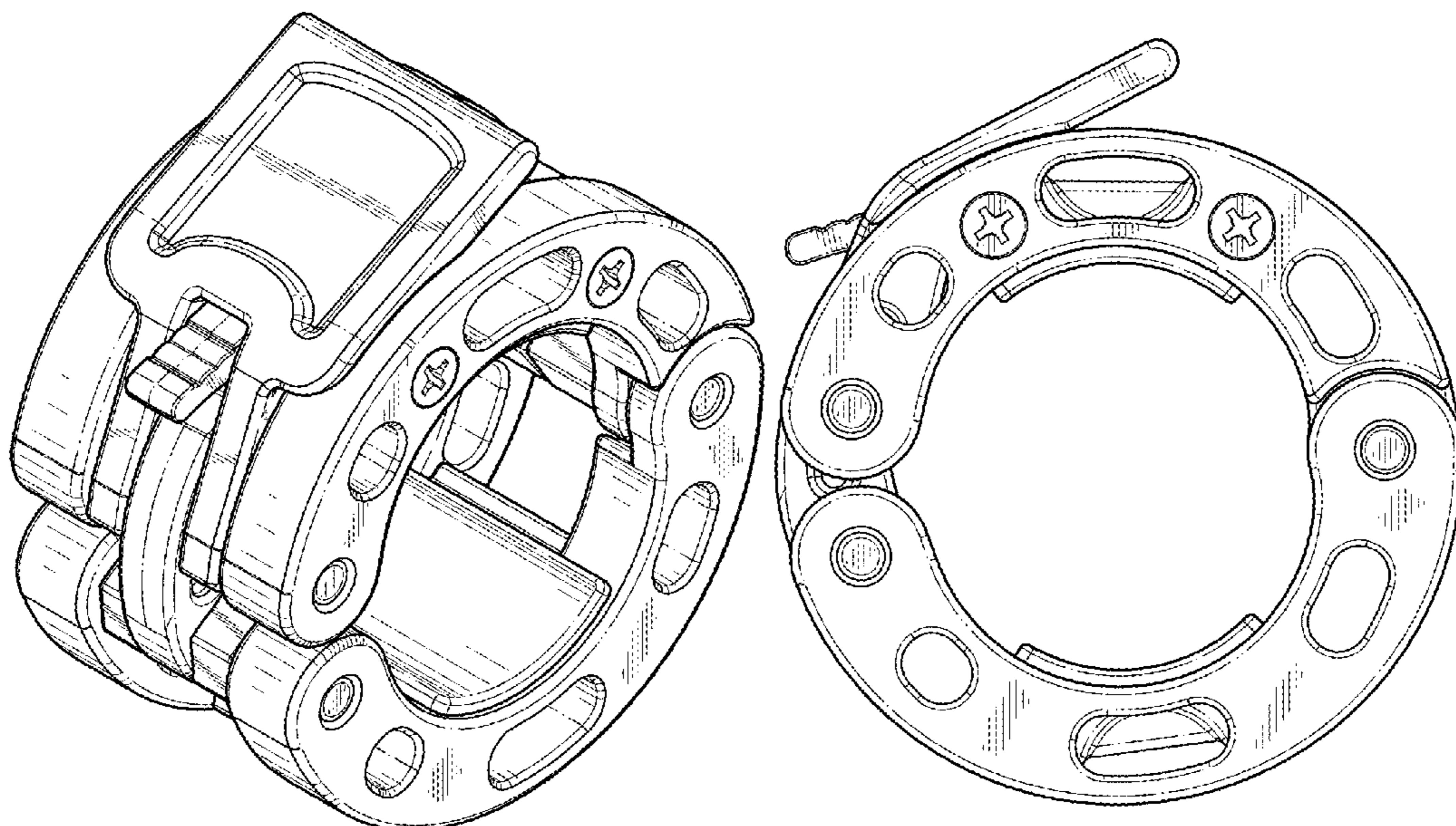
(57) **CLAIM**

The ornamental design for a weight lifting bar collar, as shown and described.

DESCRIPTION

FIG. 1 is a front perspective view of a weight lifting bar collar showing our new design; FIG. 2 is a bottom perspective view thereof; FIG. 3 is a front elevational view thereof; FIG. 4 is a rear elevational view thereof; FIG. 5 is a right elevational view thereof; FIG. 6 is a left view thereof; FIG. 7 is a top view thereof; and, FIG. 8 is a bottom view thereof.

1 Claim, 4 Drawing Sheets



(56)

References Cited

U.S. PATENT DOCUMENTS

D694,841 S	12/2013	Ciminski et al.	D794,440 S	8/2017	Papafagos et al.
D700,835 S	3/2014	Langlois et al.	9,764,183 B2	9/2017	Roepke
D703,033 S	4/2014	Karlsson	D798,699 S	10/2017	Roiser
8,776,810 B2	7/2014	Lah et al.	9,839,806 B2	12/2017	Slaughter
D711,730 S	8/2014	McKiernan	9,855,458 B2	1/2018	Stilson
D712,730 S	9/2014	Gridley	D836,184 S	12/2018	Lippka
8,827,878 B1	9/2014	Ciminski et al.	D836,185 S *	12/2018	Lippka D23/262
D722,867 S *	2/2015	Papafagos D8/396	D839,398 S	1/2019	Lippka
D735,025 S	7/2015	Mathien	D839,399 S	1/2019	Lippka
D736,884 S	8/2015	Lovley, II et al.	D846,712 S *	4/2019	Bancroft D23/262
9,109,616 B1	8/2015	Ballentine	D846,713 S	4/2019	Bancroft et al.
9,212,777 B2	12/2015	Shi	D850,899 S	6/2019	Gridley
9,297,477 B2	3/2016	Yoder	D850,900 S *	6/2019	Yesavage D8/396
D764,608 S *	8/2016	Jones D21/694	D855,920 S	8/2019	Schenone et al.
D766,384 S	9/2016	Jones	D865,881 S *	11/2019	Muir D21/694
D780,859 S	3/2017	Ramsey et al.	2002/0030146 A1	3/2002	Akaike
D780,860 S *	3/2017	Jones D21/694	2007/0138351 A1	6/2007	Wu
D780,861 S *	3/2017	Jones D21/694	2008/0265568 A1	10/2008	Bekkevold
D789,779 S	6/2017	Asia	2008/0287271 A1 *	11/2008	Jones F16B 2/185 482/107
D794,439 S *	8/2017	Papafagos D8/396	2011/0162173 A1	7/2011	Ciminski et al.
			2012/0324682 A1	12/2012	Ballentine

* cited by examiner

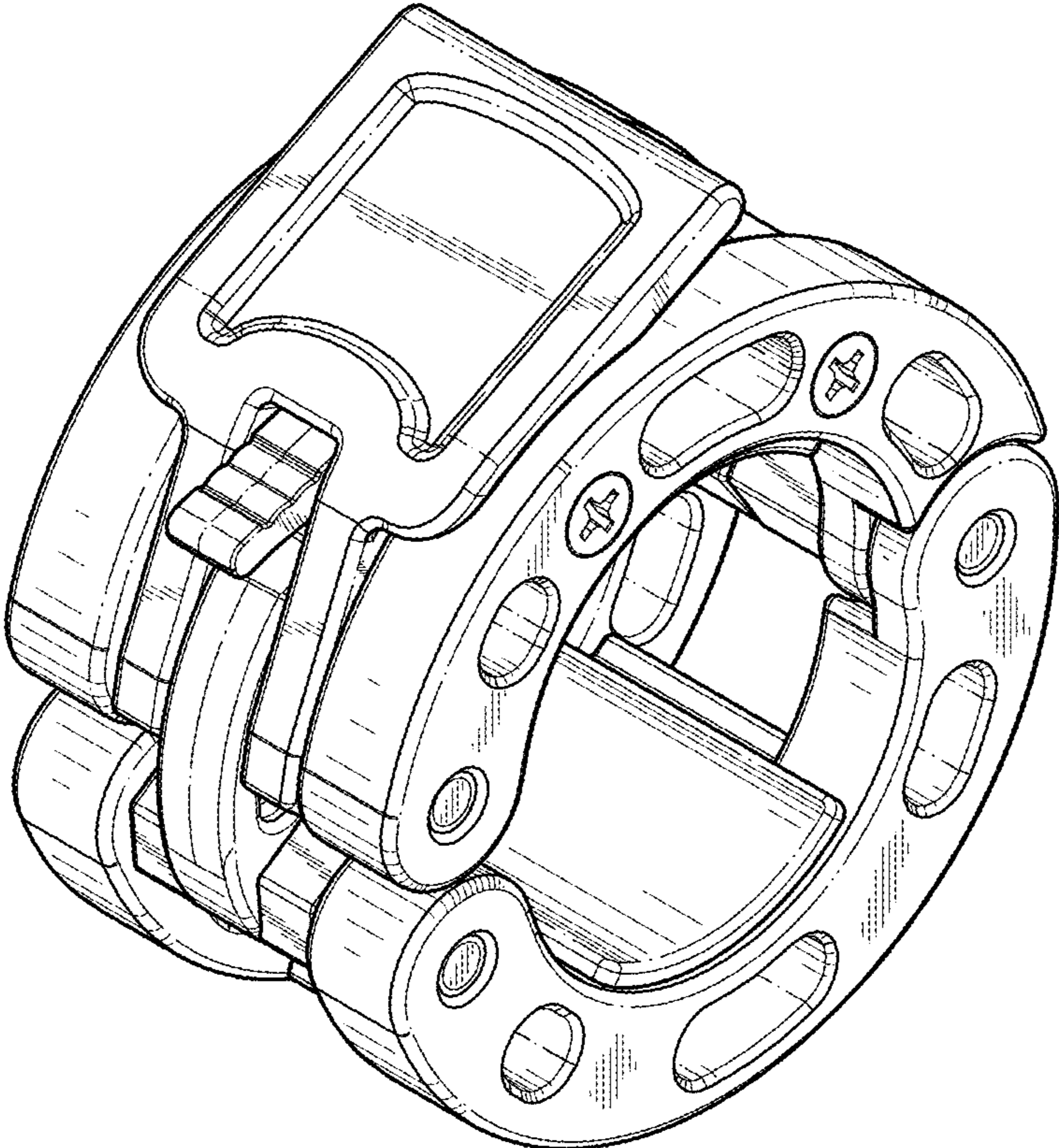


FIG. 1

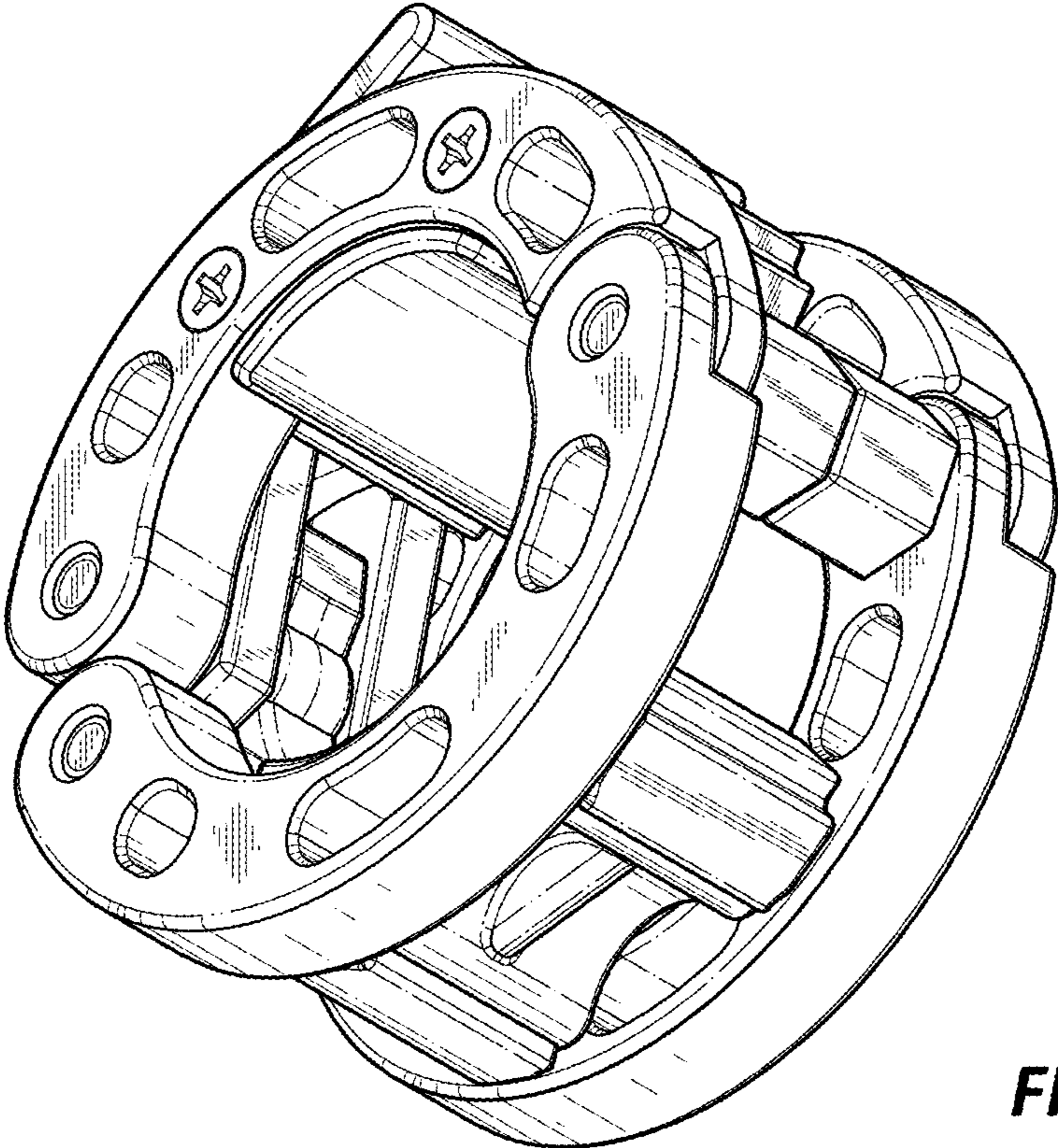


FIG. 2

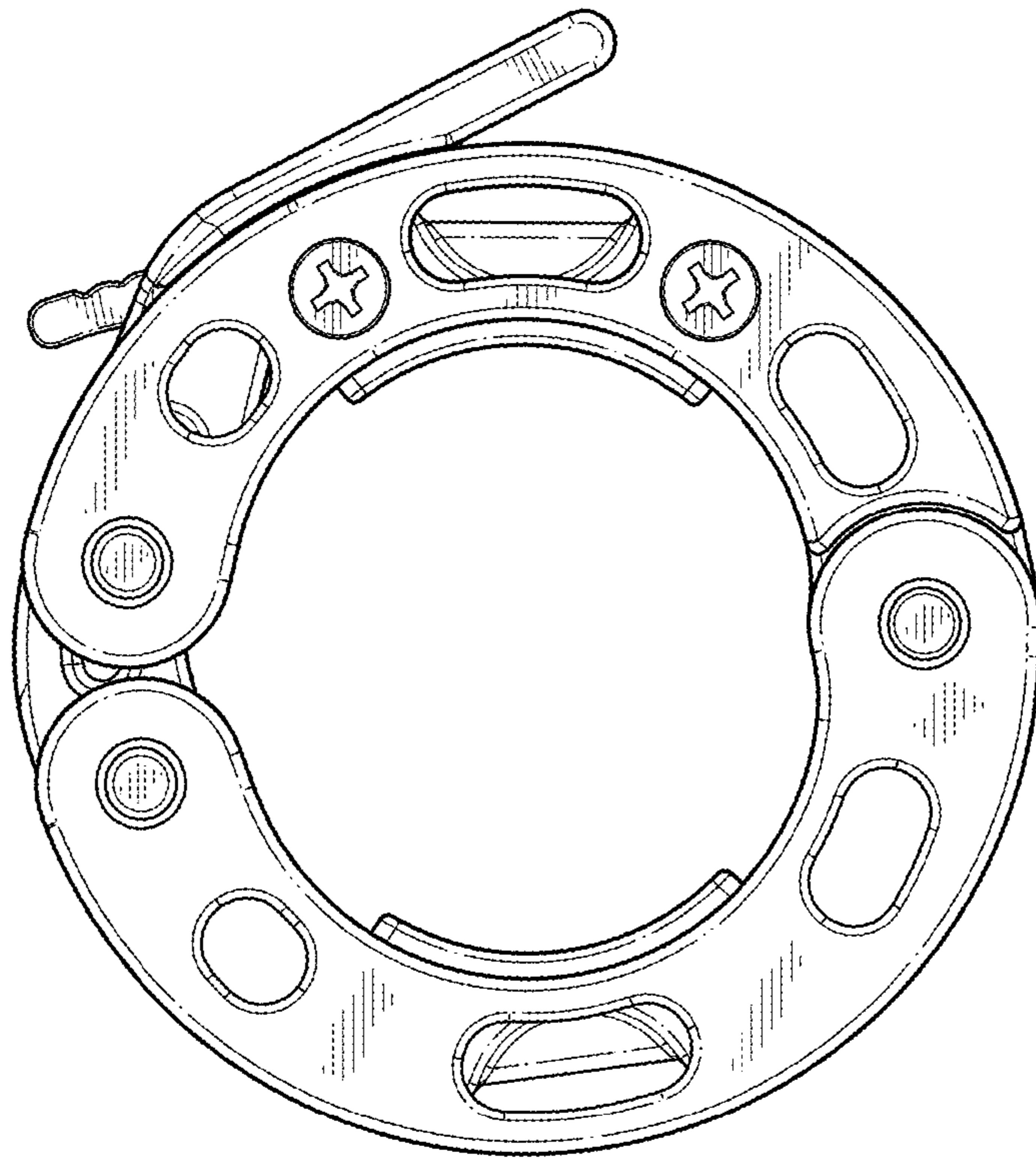


FIG. 3

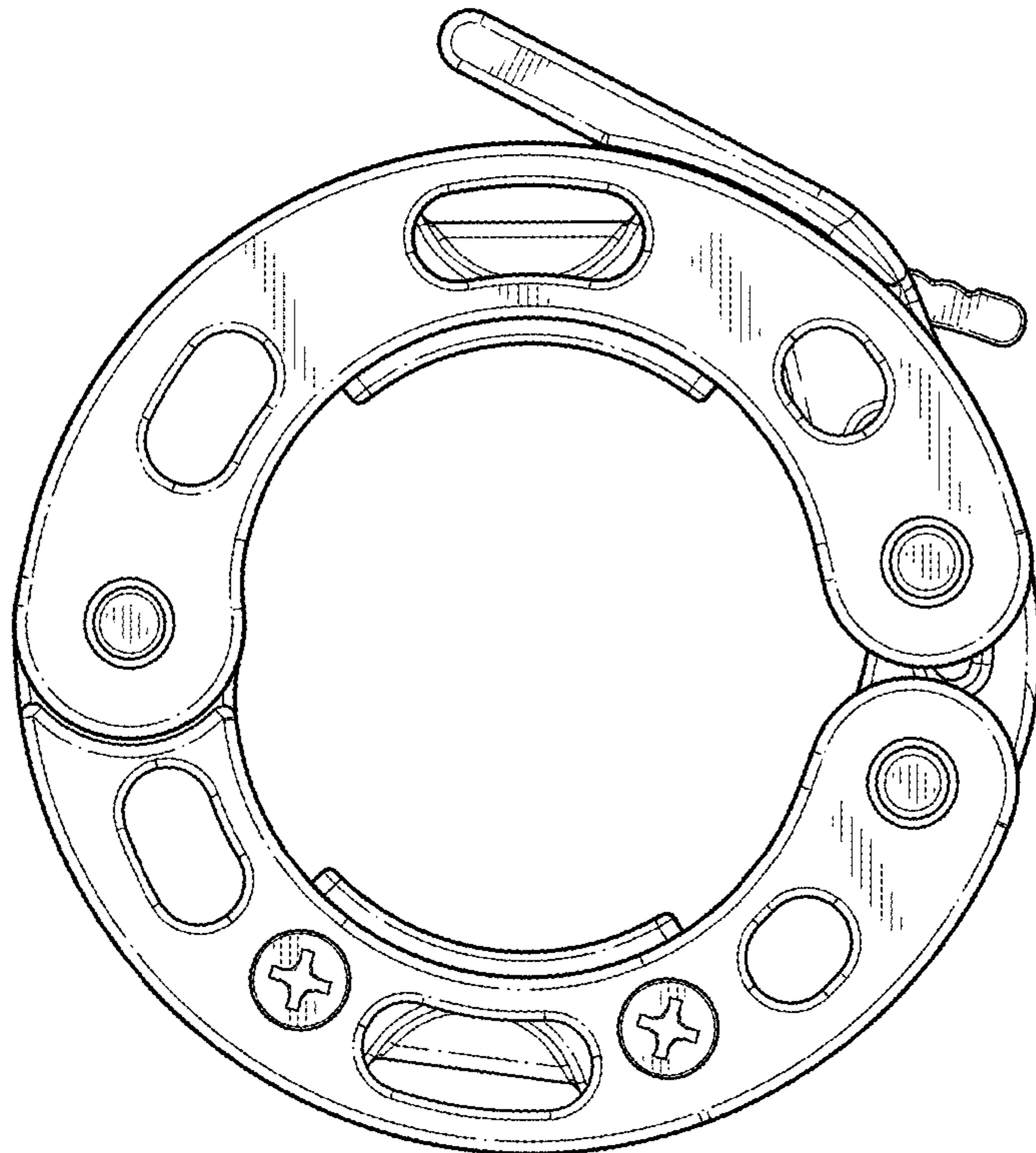


FIG. 4

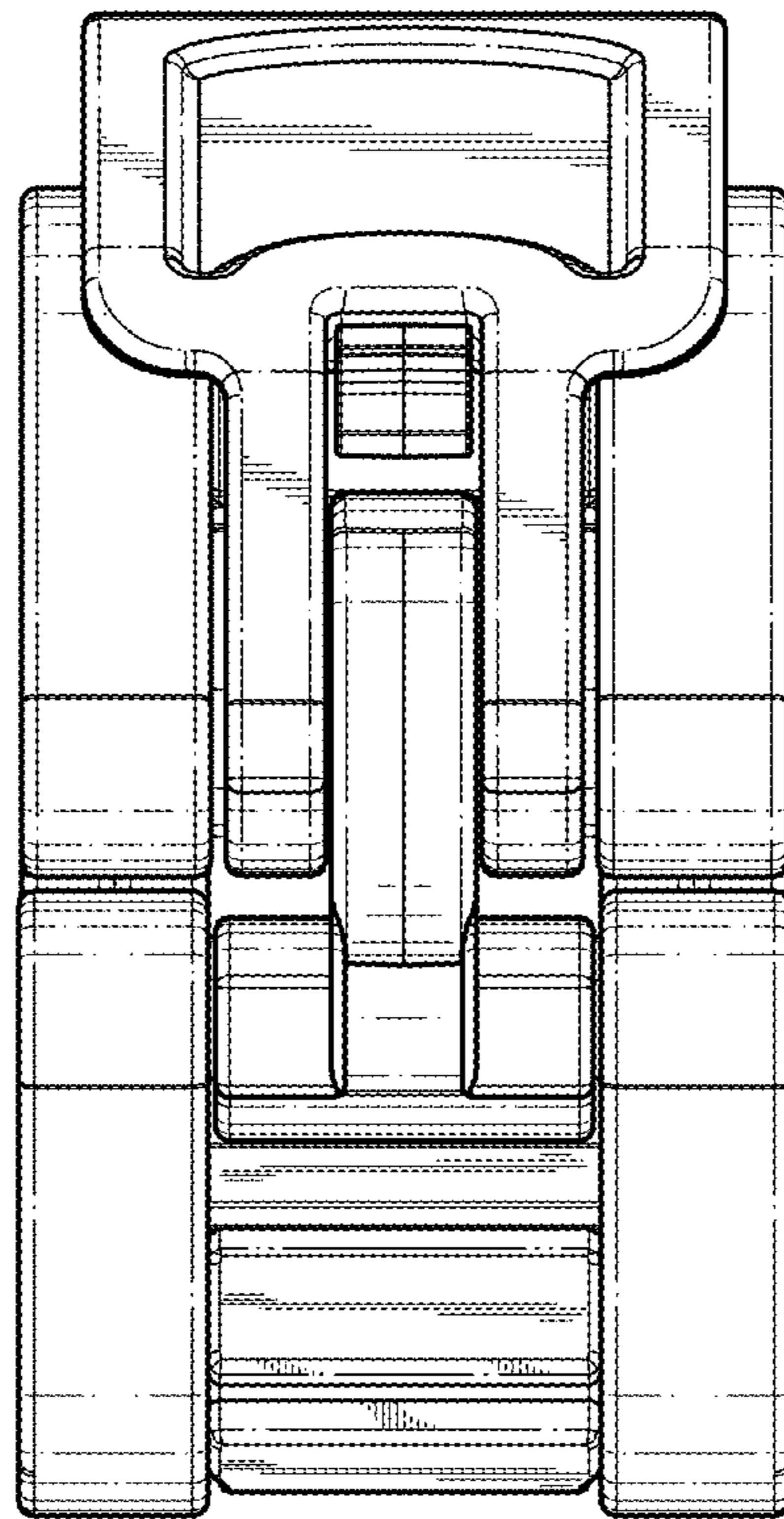


FIG. 5

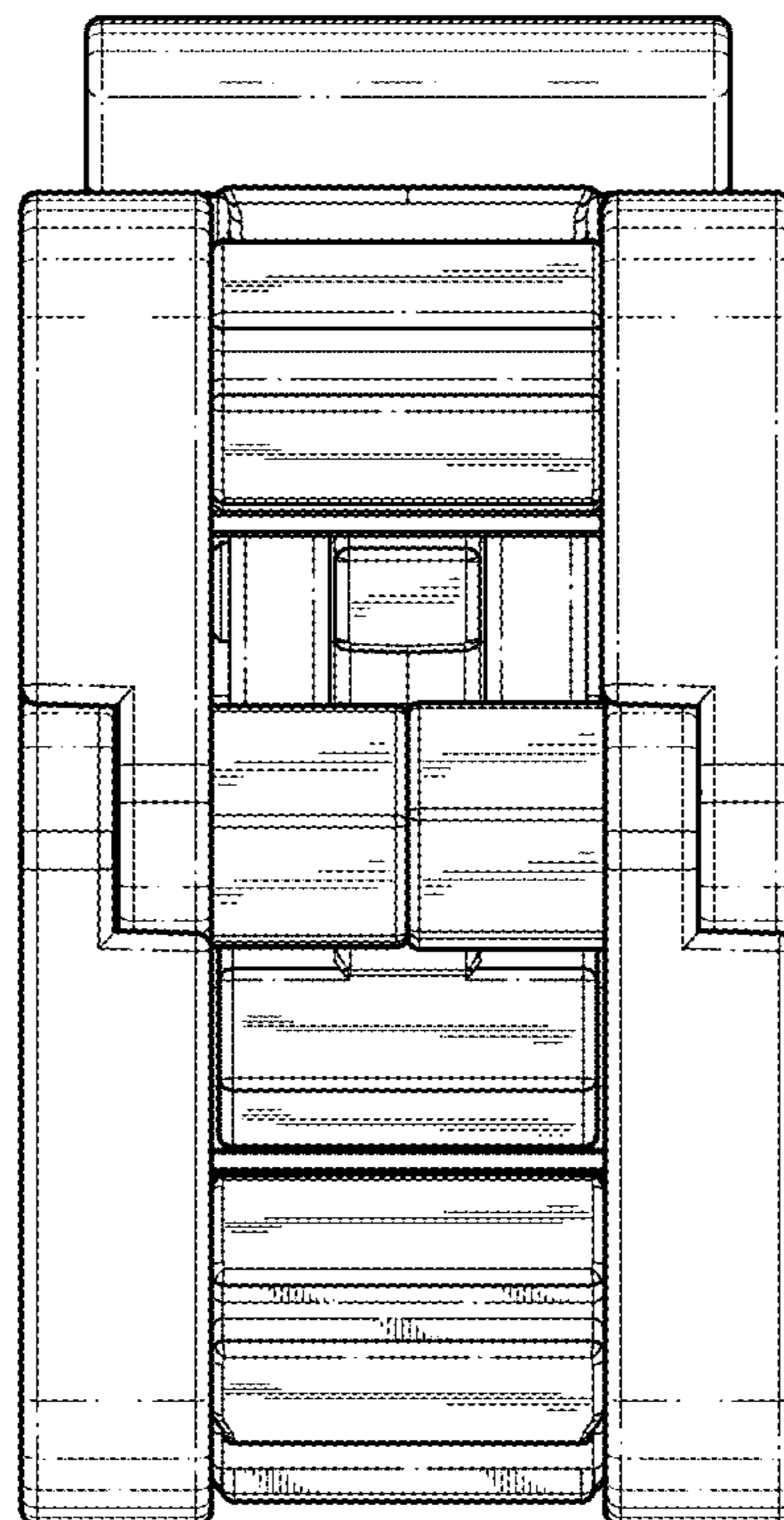


FIG. 6

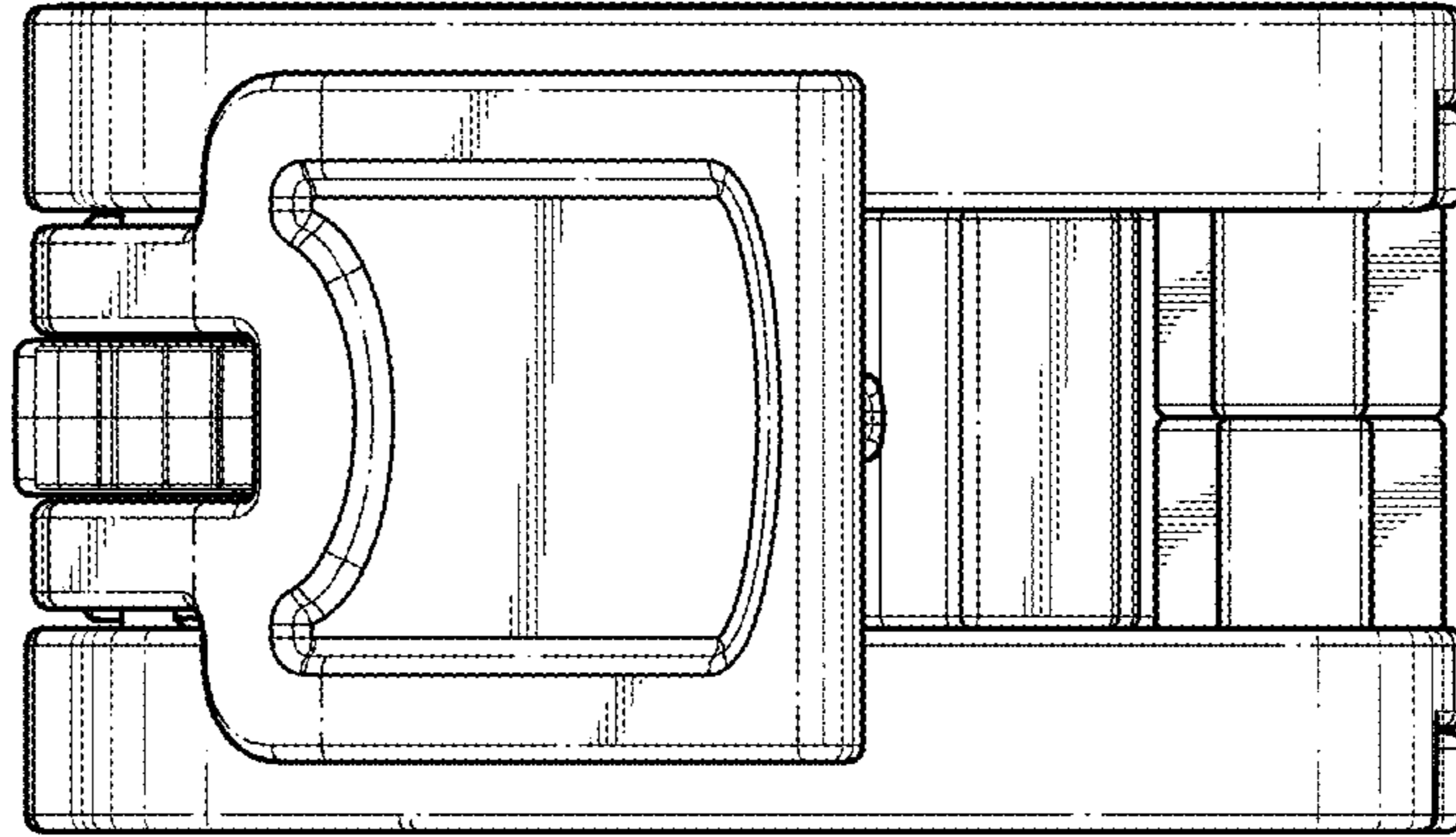


FIG. 7

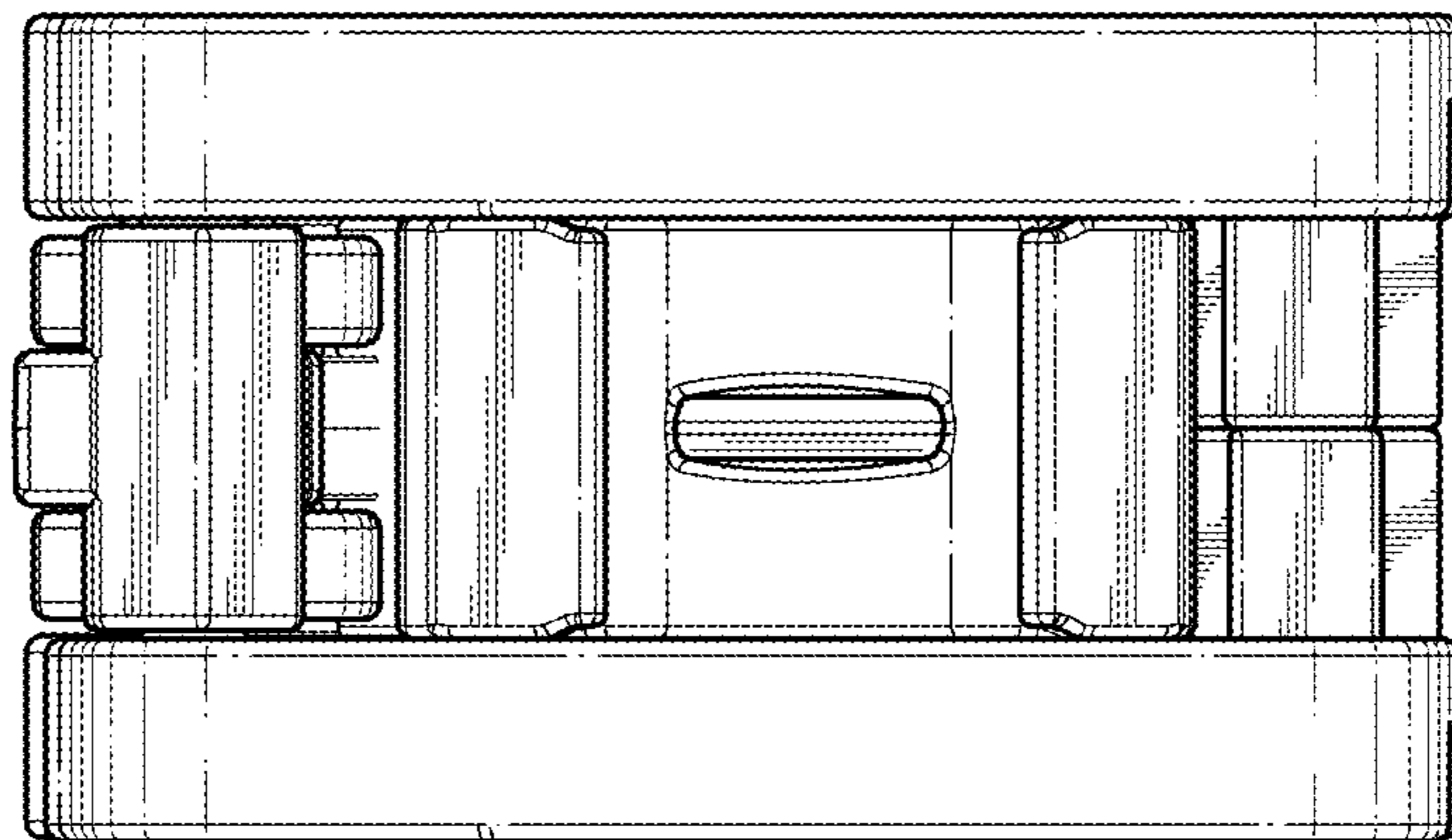


FIG. 8